



US00D789294S

(12) **United States Design Patent**  
**Yue et al.**

(10) **Patent No.:** **US D789,294 S**  
(45) **Date of Patent:** **\*\* Jun. 13, 2017**

(54) **CHARGING STAND**

(71) Applicant: **Microsoft Corporation**, Redmond, WA (US)

(72) Inventors: **Kok Liang Yue**, Sammamish, WA (US); **Stephen Minarsch**, Seattle, WA (US); **Derek Burkhardtsmeier**, Seattle, WA (US); **Yip Kam**, Dongguan (CN)

(73) Assignee: **Microsoft Corporation**, Redmond, WA (US)

(\*\*) Term: **15 Years**

(21) Appl. No.: **29/543,986**

(22) Filed: **Oct. 29, 2015**

(51) **LOC (10) Cl.** ..... **13-02**

(52) **U.S. Cl.**  
USPC ..... **D13/108**

(58) **Field of Classification Search**  
USPC ..... D13/107-110, 117-119, 184, 153;  
D14/251, 253, 432, 434  
CPC ..... Y02E 60/12; Y02T 90/14; Y02T 90/122;  
Y02T 90/128; Y02T 90/163; H02M 3/18;  
H02J 7/025; H02J 7/0042; H02J 7/0044;  
H02J 7/0045; H02J 7/0003; H01F 38/14;  
H01R 13/6675; H01M 2/1022; H01M  
2/1055; H01M 10/44; H01M 10/46;  
H01M 10/425

See application file for complete search history.

(56) **References Cited**

**U.S. PATENT DOCUMENTS**

D445,759 S \* 7/2001 Insley ..... D13/107  
D639,707 S \* 6/2011 Caskey ..... D11/201

D669,431 S \* 10/2012 Yoon ..... D13/108  
D730,824 S \* 6/2015 Palmer ..... D13/108  
D746,288 S \* 12/2015 Mathis ..... D14/432  
D749,509 S \* 2/2016 Blau ..... D13/108  
D776,053 S \* 1/2017 Barnard ..... D13/108  
2016/0365745 A1\* 12/2016 Hyun ..... H02J 7/025

\* cited by examiner

*Primary Examiner* — Rosemary K Tarcza

*Assistant Examiner* — Christy Nemeth

(74) *Attorney, Agent, or Firm* — Banner & Witcoff, Ltd.

(57) **CLAIM**

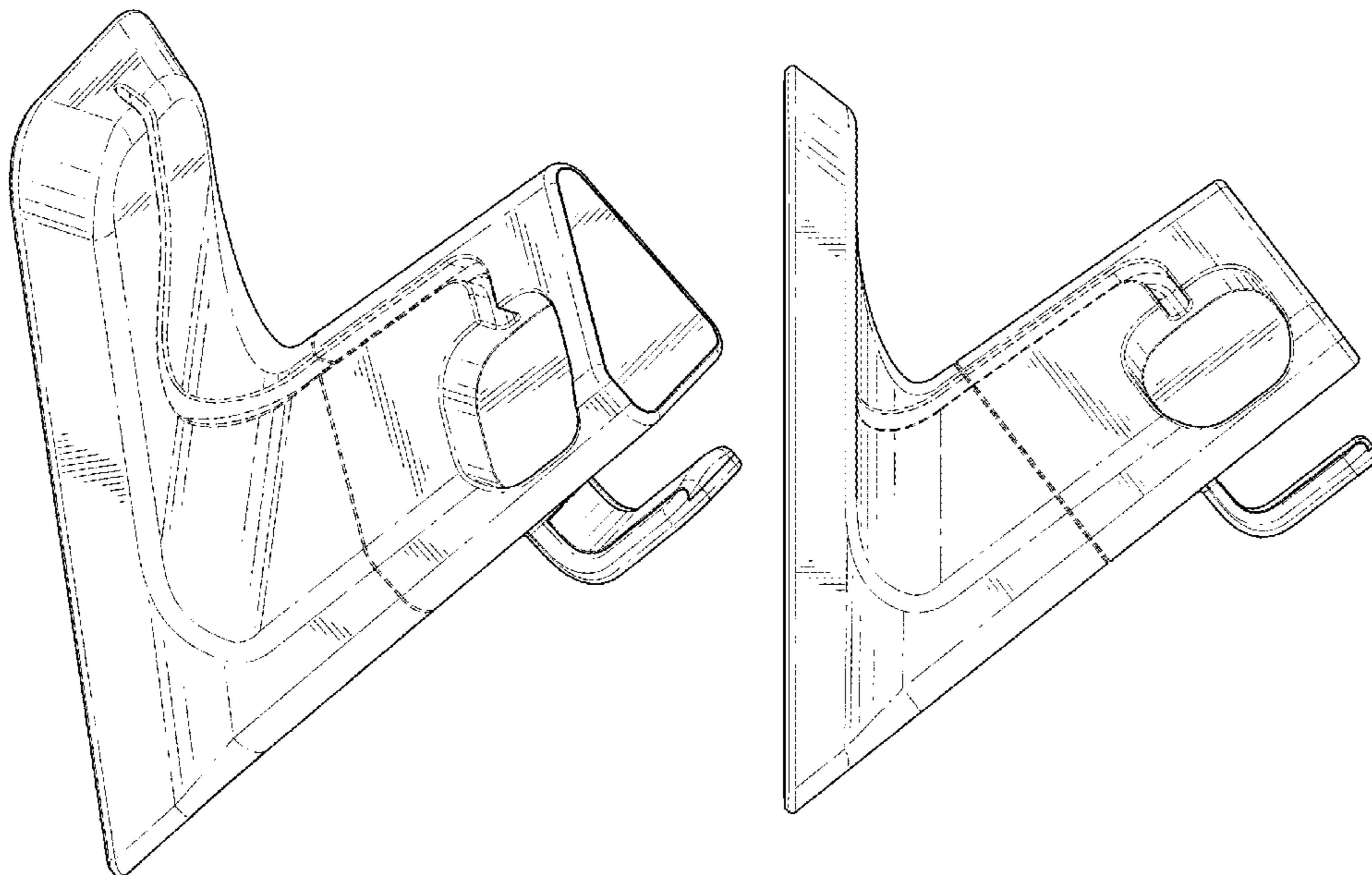
The ornamental design for a charging stand, as shown and described.

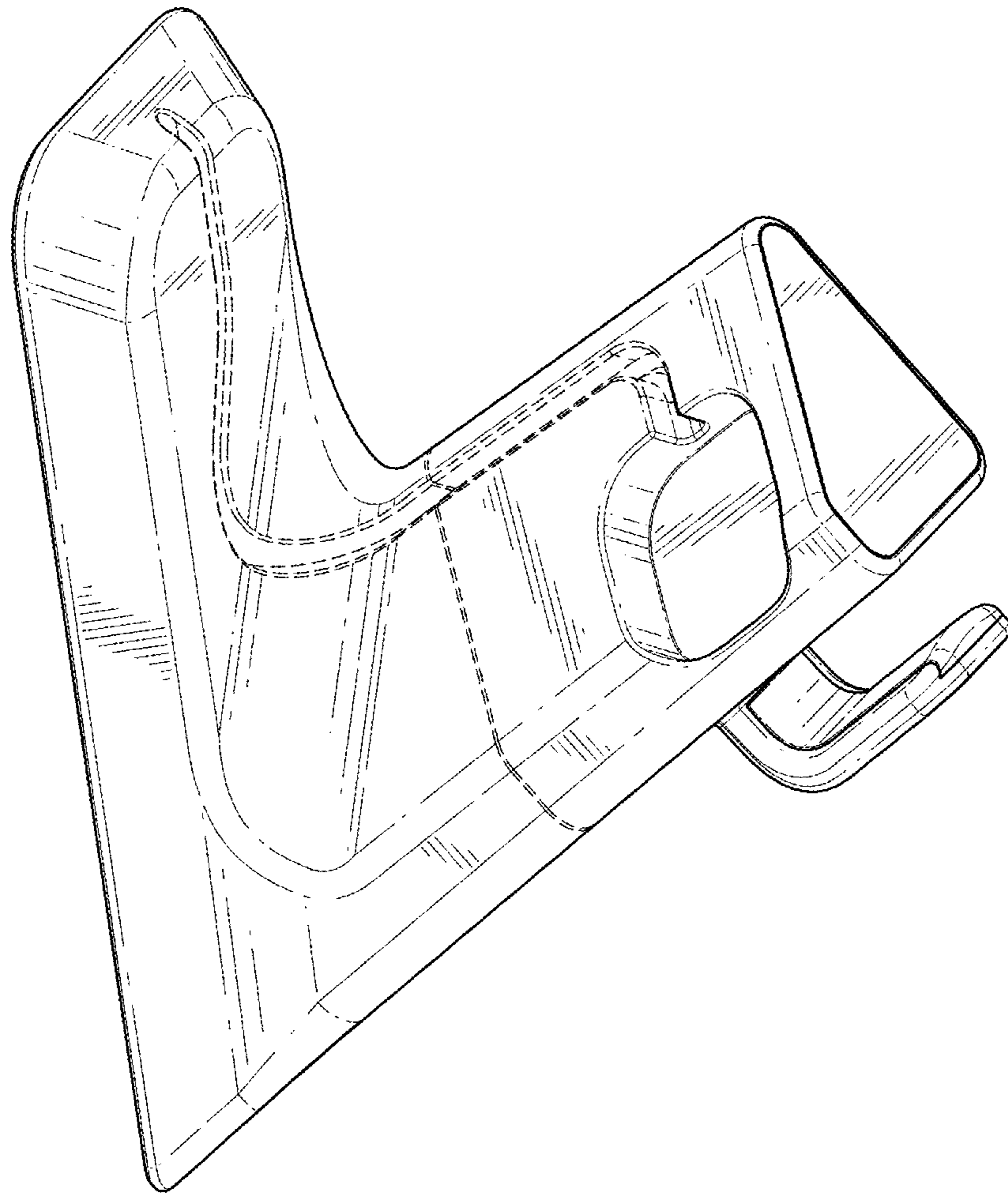
**DESCRIPTION**

FIG. 1 is a front-top perspective view of a charging stand showing our new design;  
FIG. 2 is a front view thereof;  
FIG. 3 is a back view thereof;  
FIG. 4 is a top view thereof;  
FIG. 5 is a bottom view thereof;  
FIG. 6 is a left-side view thereof; and,  
FIG. 7 is a right-side view thereof.

The broken lines in the drawings illustrate elements of the charging stand that form no part of the claimed design. The shade lines in the figures indicate a character or contour of the claimed design, and do not depict any particular color, texture, or material.

**1 Claim, 4 Drawing Sheets**





*FIG. 1*

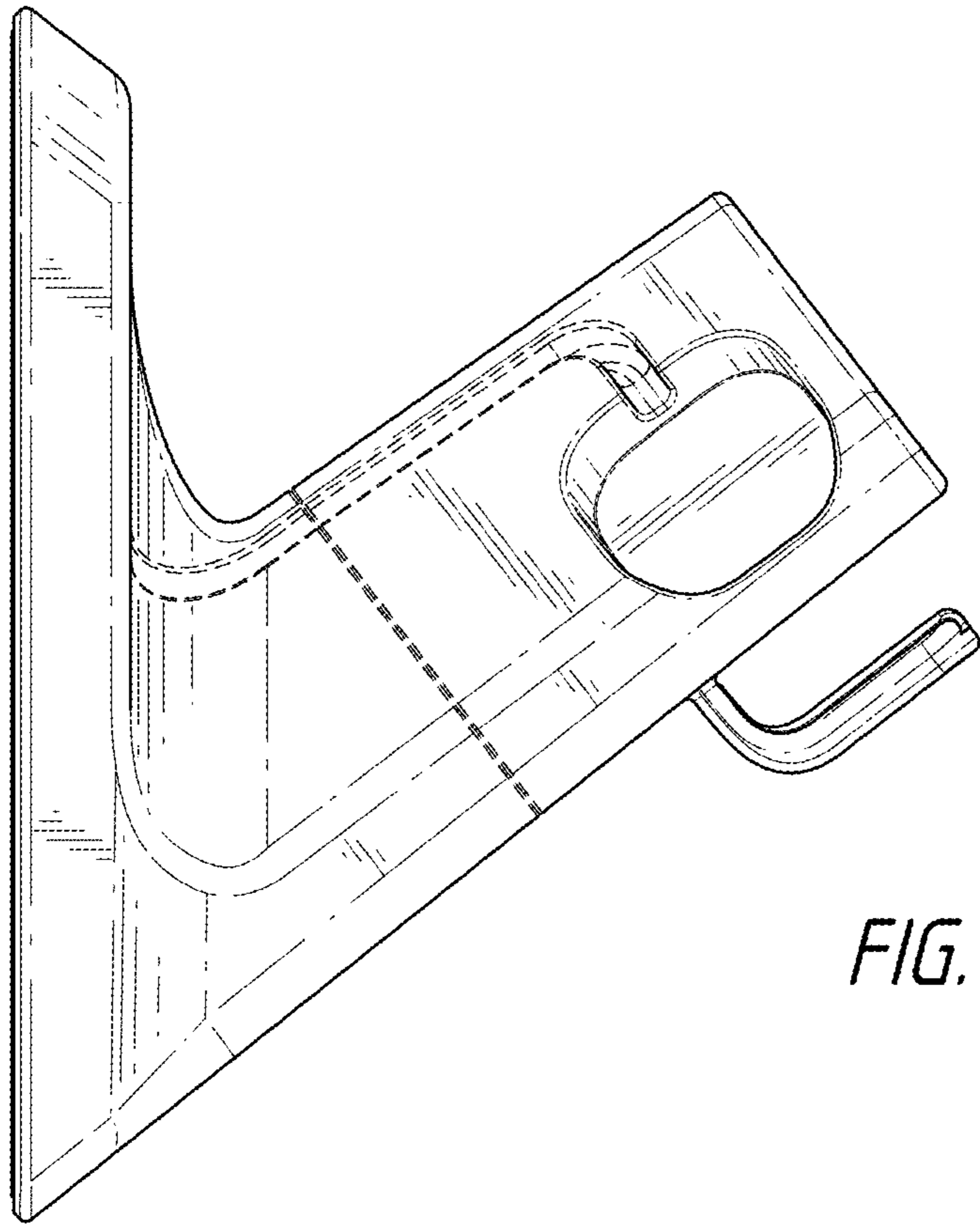


FIG. 2

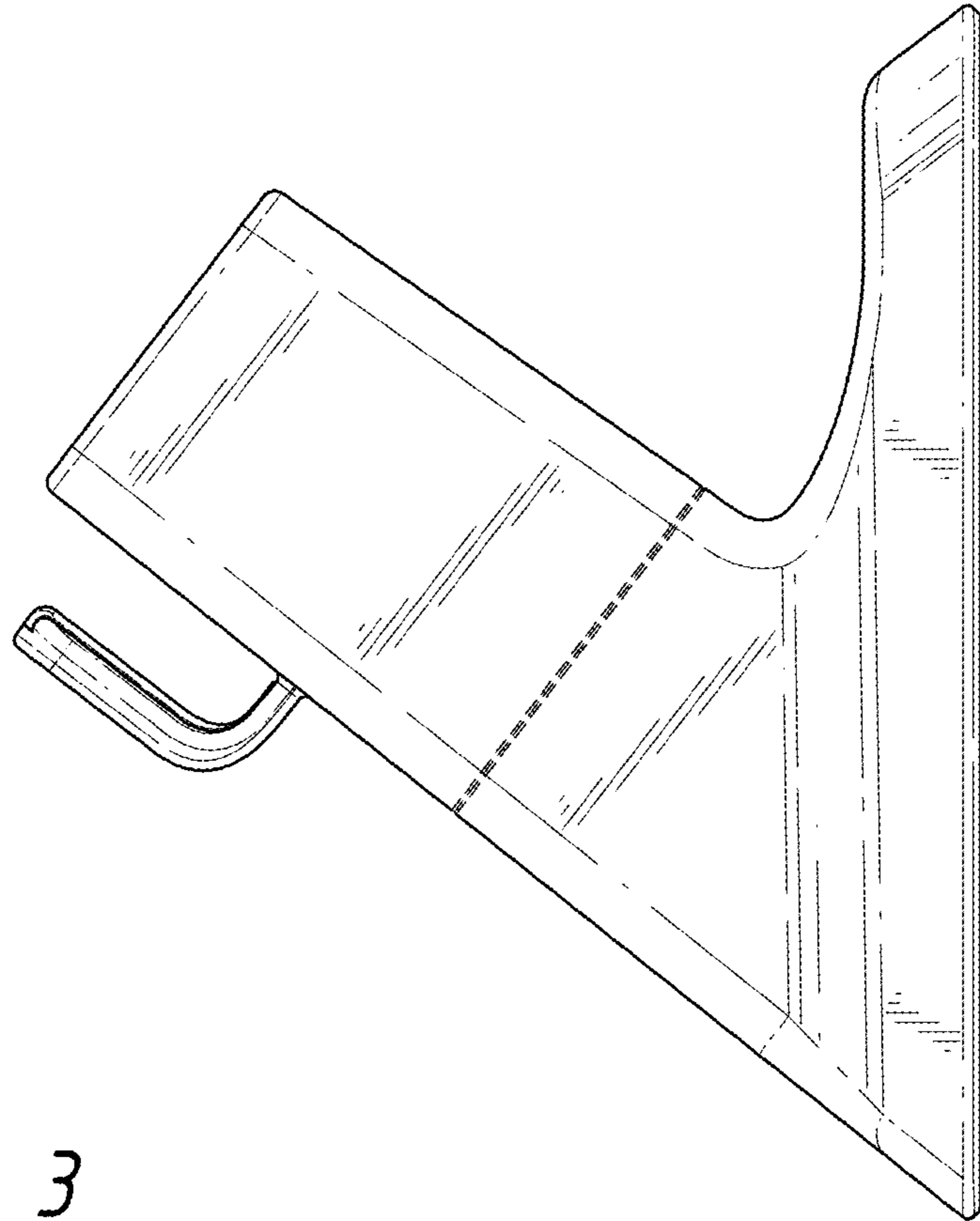


FIG. 3

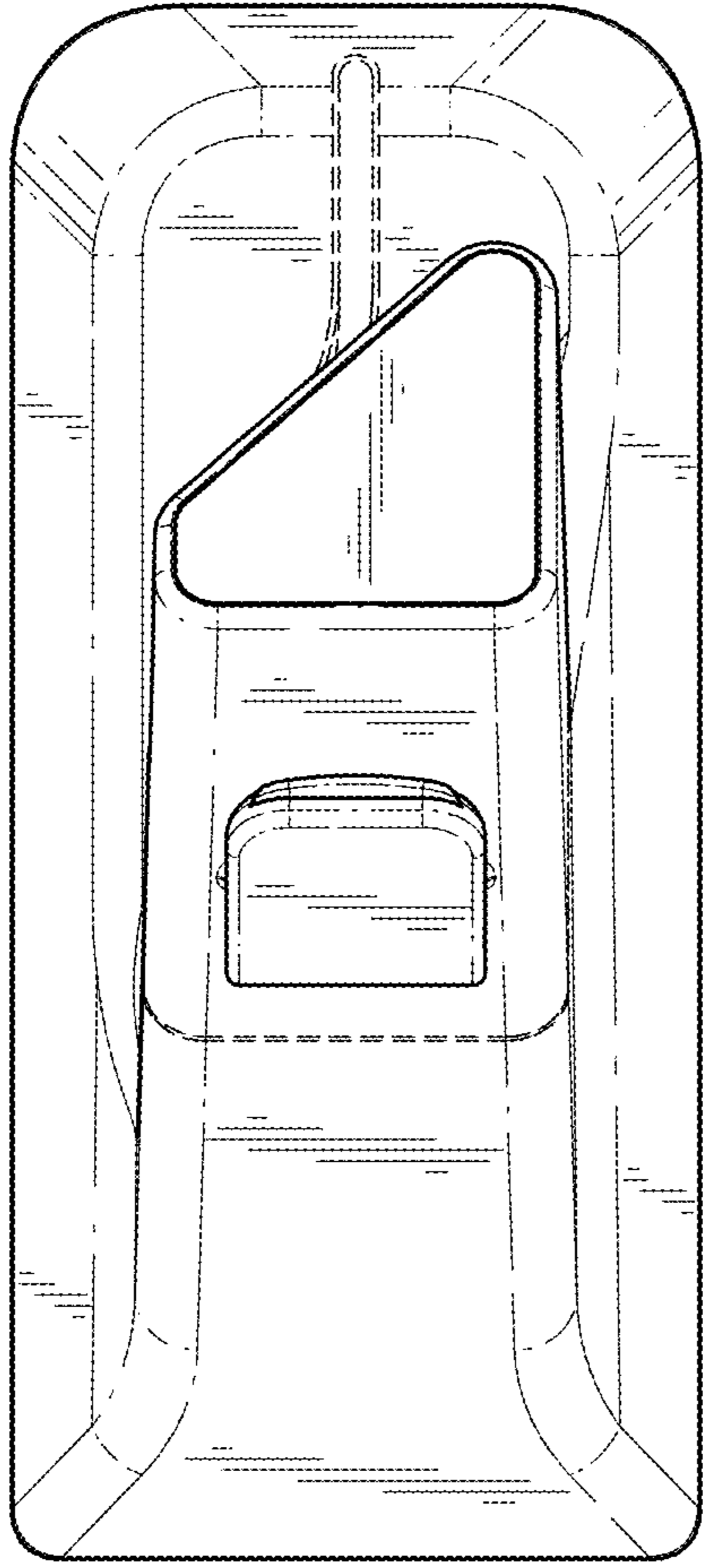


FIG. 4

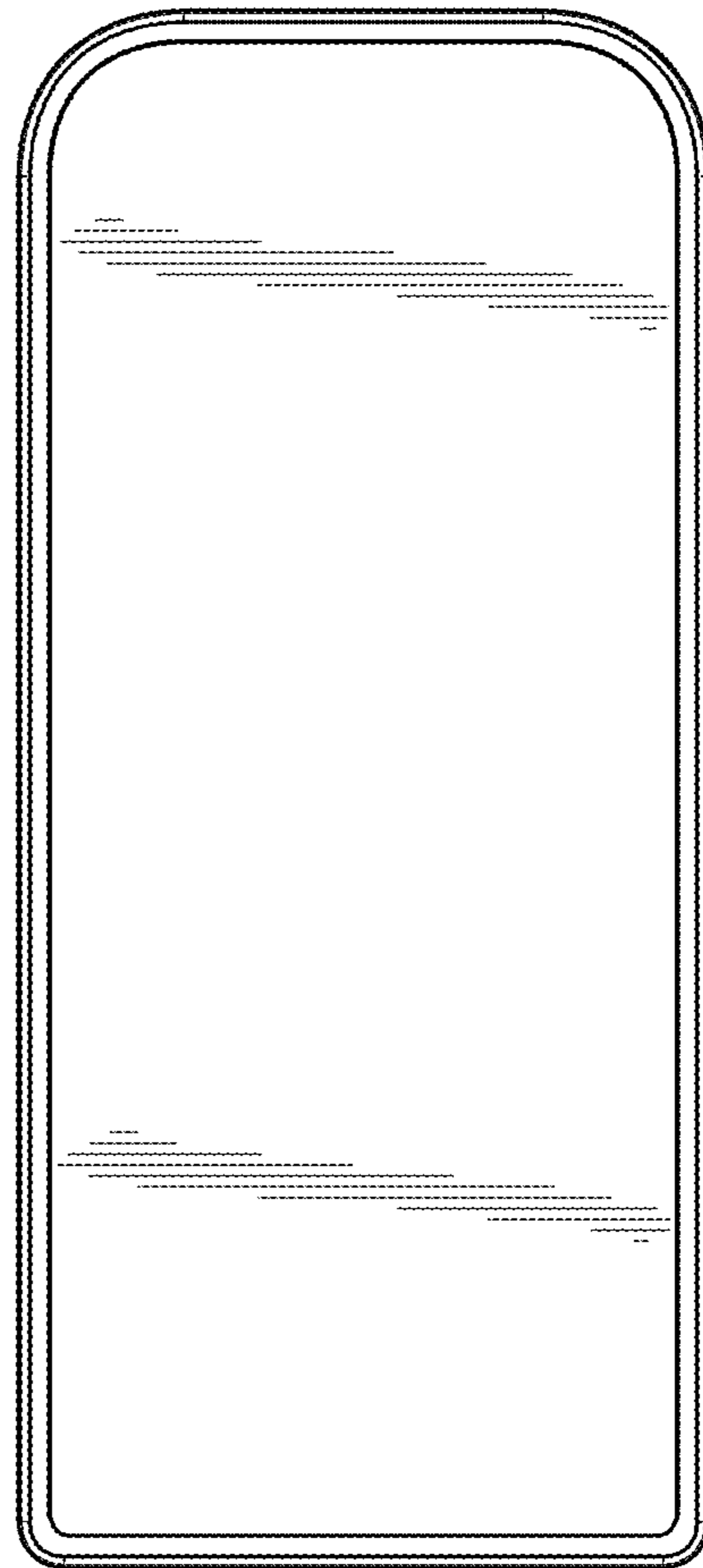


FIG. 5

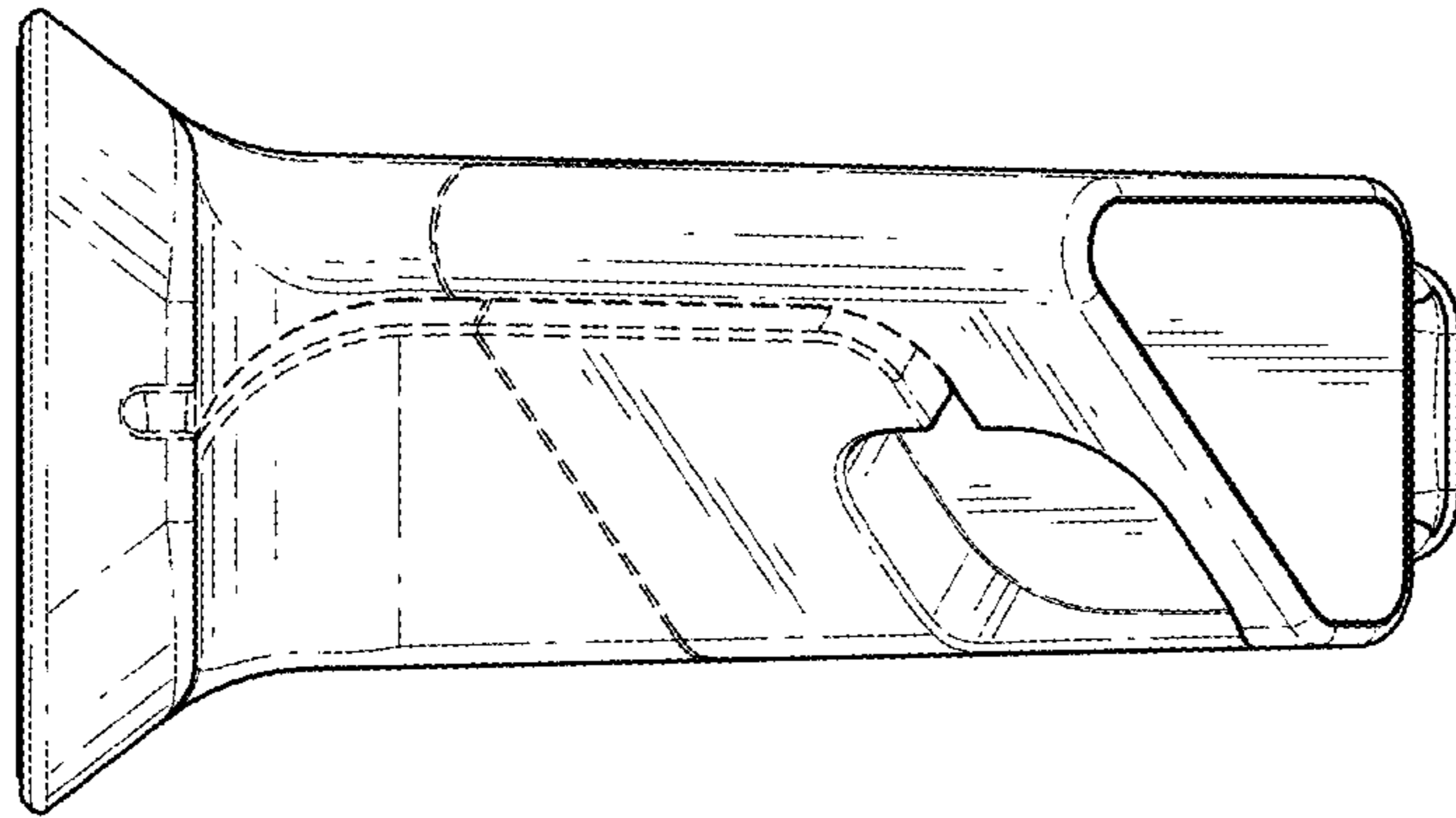


FIG. 6

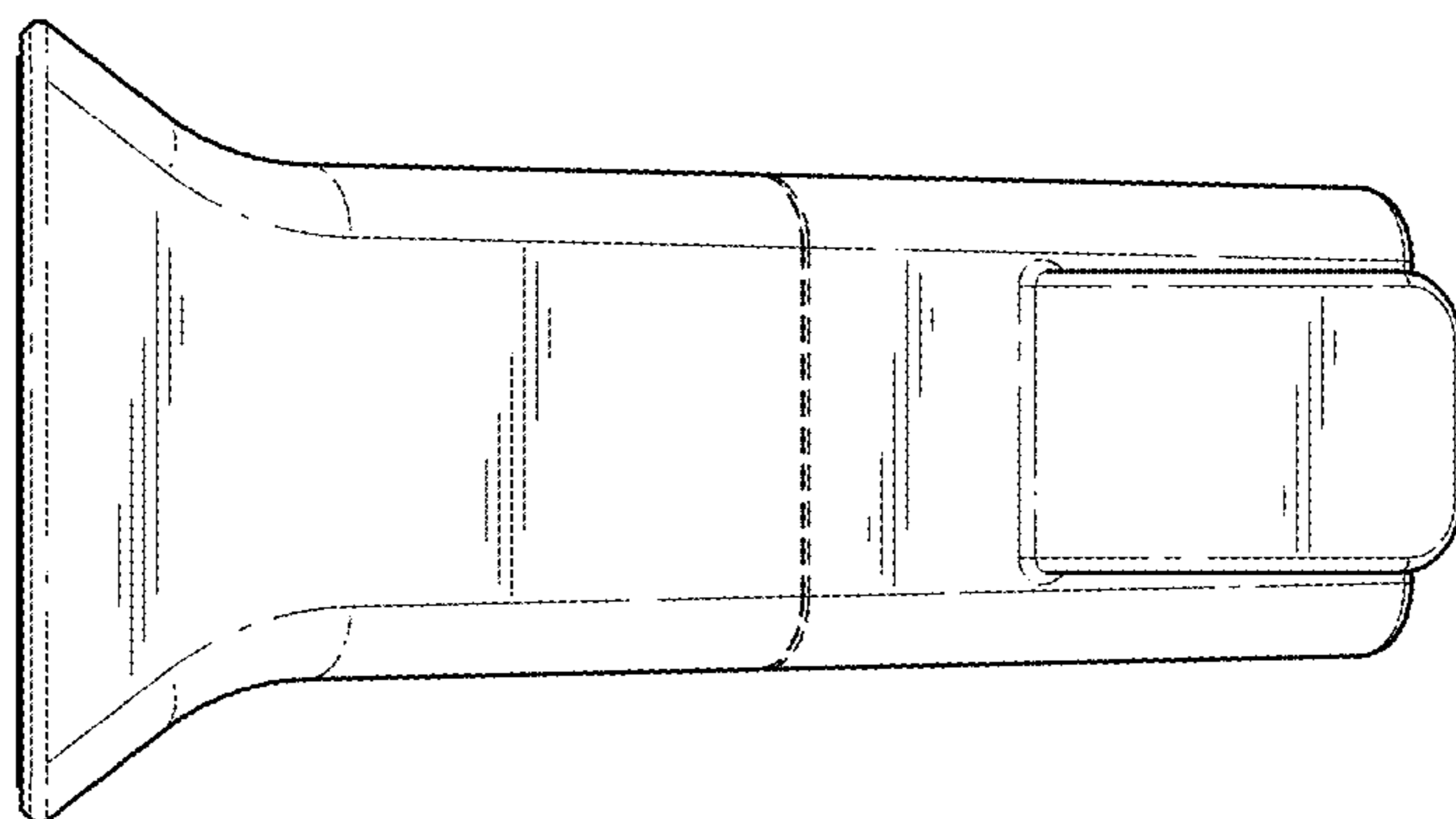


FIG. 7