



US00D789293S

(12) **United States Design Patent** (10) **Patent No.:** **US D789,293 S**
Toiviainen et al. (45) **Date of Patent:** **** Jun. 13, 2017**

(54) **CHARGER**

(71) Applicant: **Microsoft Corporation**, Redmond, WA (US)

(72) Inventors: **Tomi Toiviainen**, Espoo (FI); **Jose M. Perez**, Helsinki (FI); **Jenny Cui**, Espoo (FI)

(73) Assignee: **Microsoft Corporation**, Redmond, WA (US)

(**) Term: **15 Years**

(21) Appl. No.: **29/527,495**

(22) Filed: **May 19, 2015**

(51) **LOC (10) Cl.** **13-02**

(52) **U.S. Cl.**
USPC **D13/108**

(58) **Field of Classification Search**
USPC D13/102-110, 118-119, 184, 199;
D14/356, 432

CPC Y02E 60/10; Y02E 60/12; Y02E 60/122;
Y02E 60/124; Y02E 60/50; H01M 2/02;
H01M 2/022; H01M 2/0202; H01M
2/0207; H01M 2/0212; H01M 2/1061;
H01M 2/1022; H01M 2/1055; H01M
2/1066; H01M 2/105; H01M 2/20; H01M
2/202; H01M 2/204; H01M 2/206; H01M
10/44; H01M 10/46; H01M 10/465;
H01M 10/482; H01M 2200/30; H01M
2250/30; H01M 2250/40; H02J 7/00;
H02J 7/0003; H02J 7/0011; H02J 7/0013;
H02J 7/0054; H02J 7/0055; H02J 7/0057;
H02J 2007/0062

See application file for complete search history.

(56) **References Cited**

U.S. PATENT DOCUMENTS

D663,267 S * 7/2012 Kim D13/110
D665,734 S * 8/2012 Fitch D13/107

D675,158 S * 1/2013 Smith D13/110
D677,623 S * 3/2013 Fitch D13/108
D678,191 S * 3/2013 Fitch D13/108
D686,988 S * 7/2013 Fawkes D13/110
D708,129 S * 7/2014 Houghton D13/103
D722,018 S * 2/2015 Wang D13/103
D724,536 S * 3/2015 Wang D13/110

(Continued)

OTHER PUBLICATIONS

Microsoft Portable Power DC-21, by Microsoft Corporation, announced on or about Sep. 2014 [online], [retrieved on May 19, 2015]. retrieved from Internet <<http://www.microsoft.com/en-us/mobile/accessory/dc-21/>>.

(Continued)

Primary Examiner — Rosemary K Tarcza

Assistant Examiner — Nathaniel D. Buckner

(74) *Attorney, Agent, or Firm* — Banner & Witcoff, Ltd.

(57) **CLAIM**

The ornamental design for a charger, as shown and described.

DESCRIPTION

FIG. 1 is a front perspective view of a charger showing our new design;

FIG. 2 is a rear perspective view thereof;

FIG. 3 is a left side view thereof;

FIG. 4 is a right side view thereof;

FIG. 5 is a front view thereof;

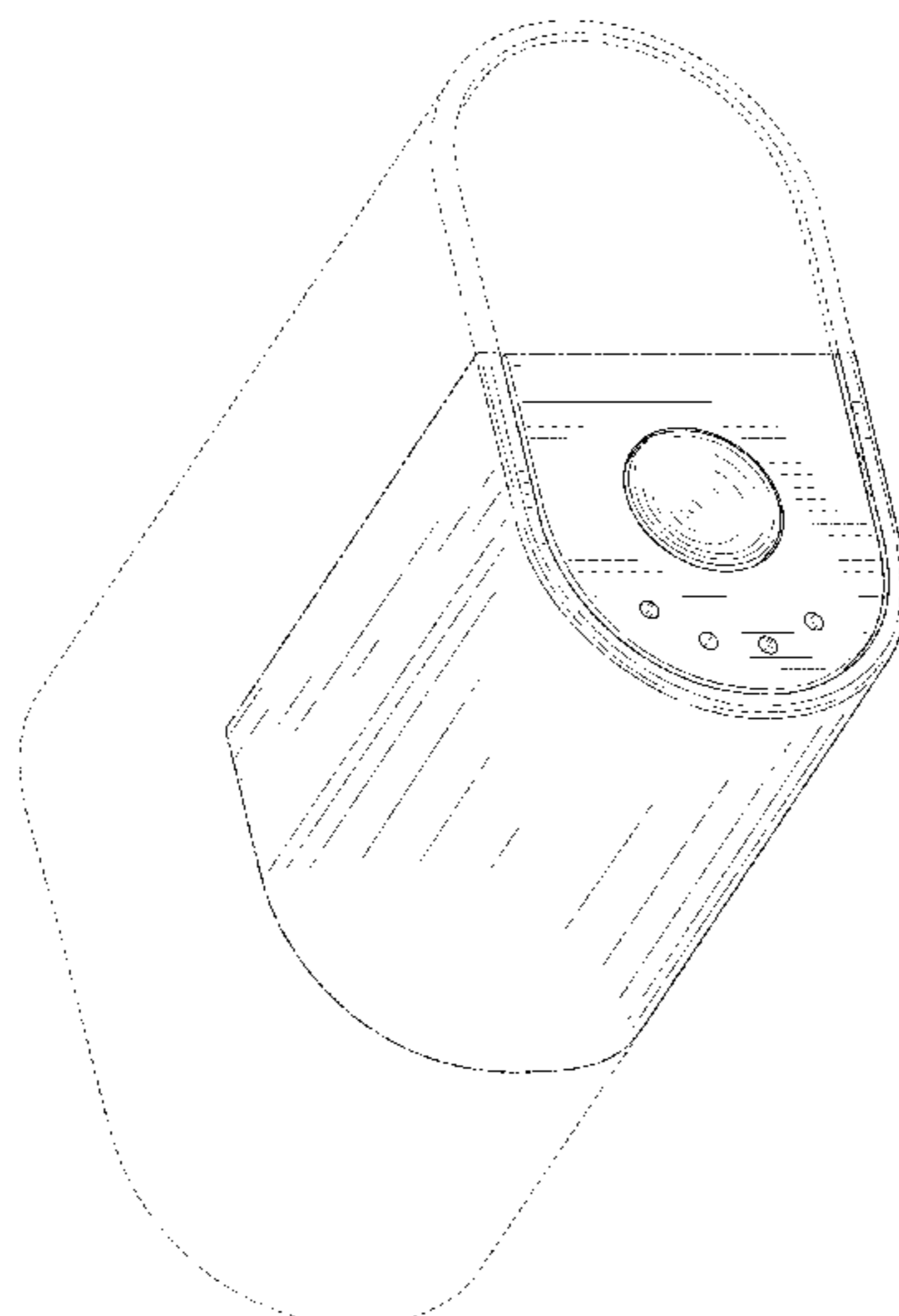
FIG. 6 is a rear view thereof;

FIG. 7 is a top view thereof; and,

FIG. 8 is a bottom view thereof.

The uneven-length broken lines in FIGS. 1-8 immediately adjacent to the shaded area represents the bounds of the claimed design The even-length broken line showing of the remainder of the charger in FIGS. 1-8 is for environmental purposes only and forms no part of the claimed design.

1 Claim, 6 Drawing Sheets



(56)

References Cited

U.S. PATENT DOCUMENTS

D730,280	S	*	5/2015	Koebler	D13/107
D734,259	S	*	7/2015	Cepress	D13/110
D734,384	S	*	7/2015	Han	D14/253
D740,751	S	*	10/2015	Akana	D13/110
D746,771	S	*	1/2016	Perez	D13/108
D747,265	S	*	1/2016	Marini	D13/107
D749,044	S	*	2/2016	Huang	D13/108

OTHER PUBLICATIONS

Microsoft Portable Power DC-19, by Nokia Corporation, announced on or about Sep. 2013 [online], [retrieved on May 19, 2015]. retrieved from Internet <<http://www.microsoft.com/en-us/mobile/accessory/dc-19/>>.

* cited by examiner

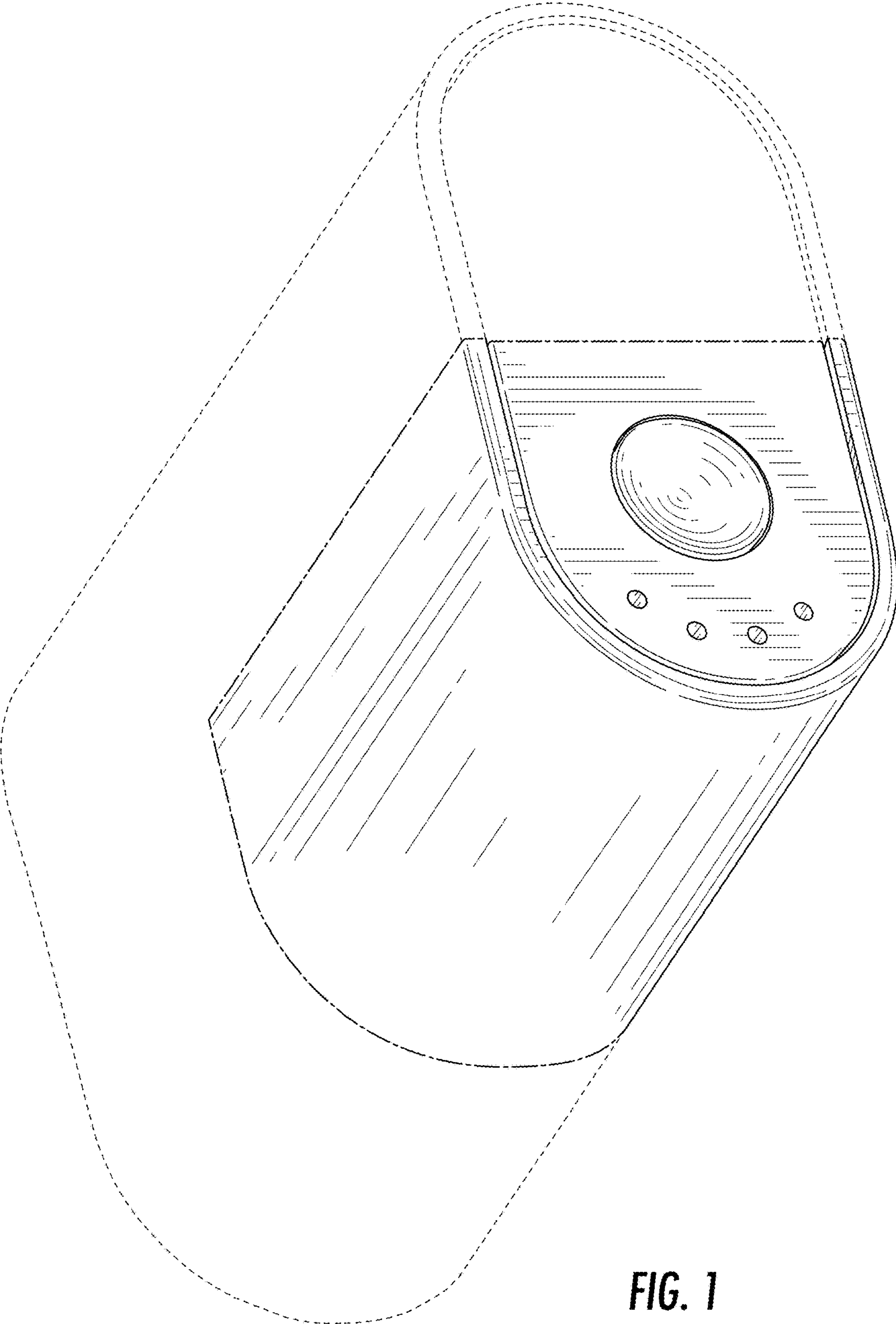


FIG. 1

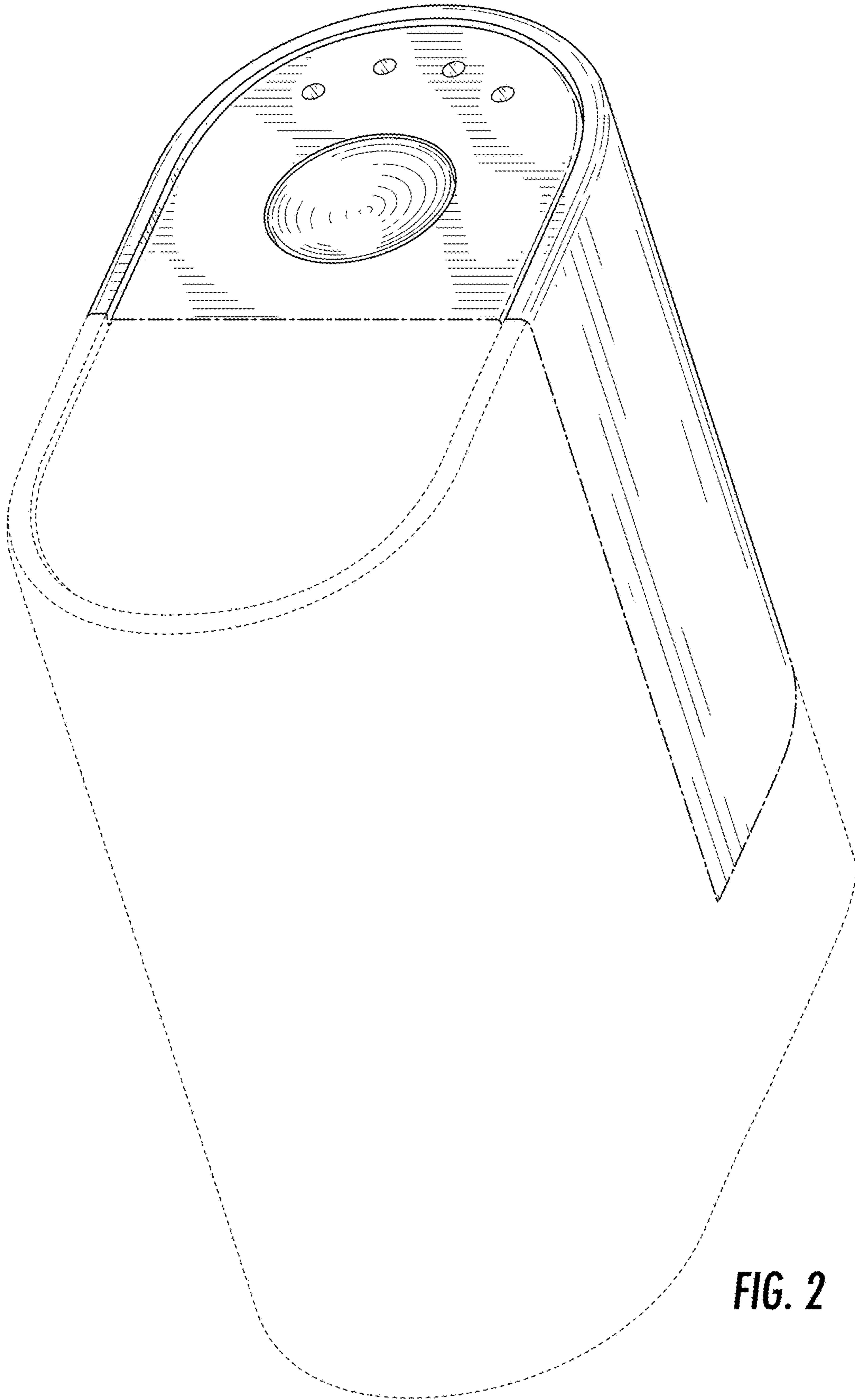


FIG. 2

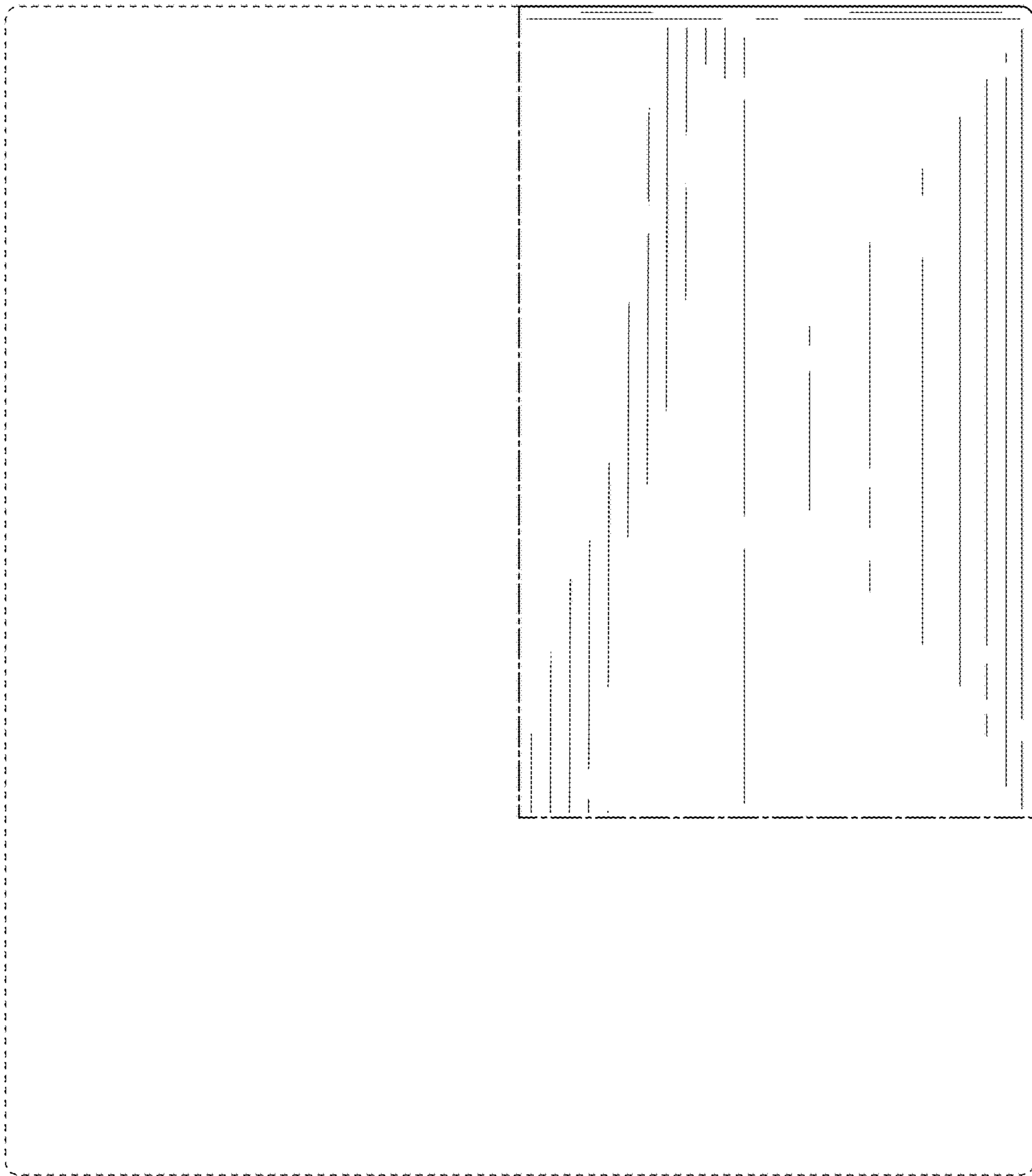


FIG. 3

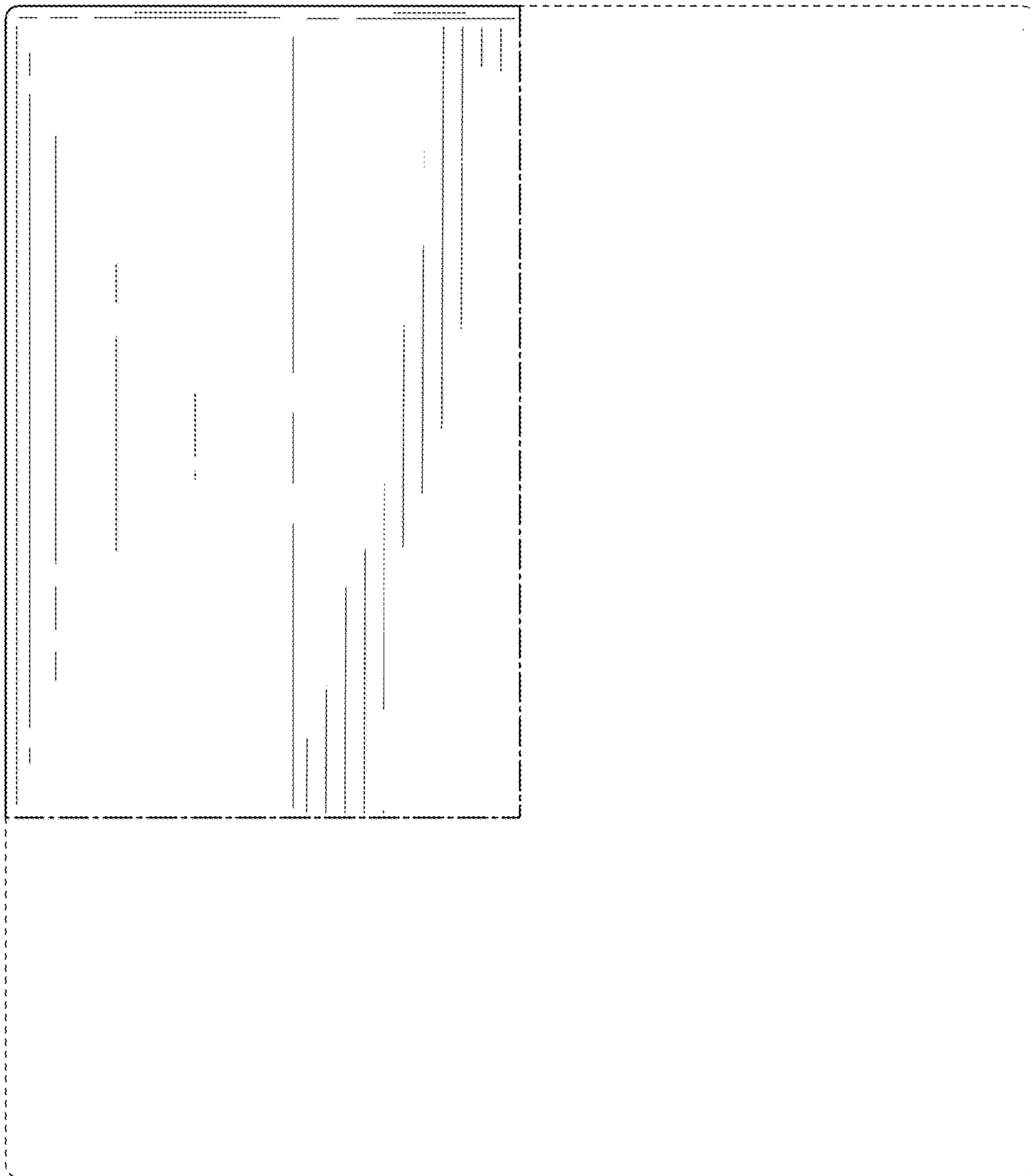


FIG. 4

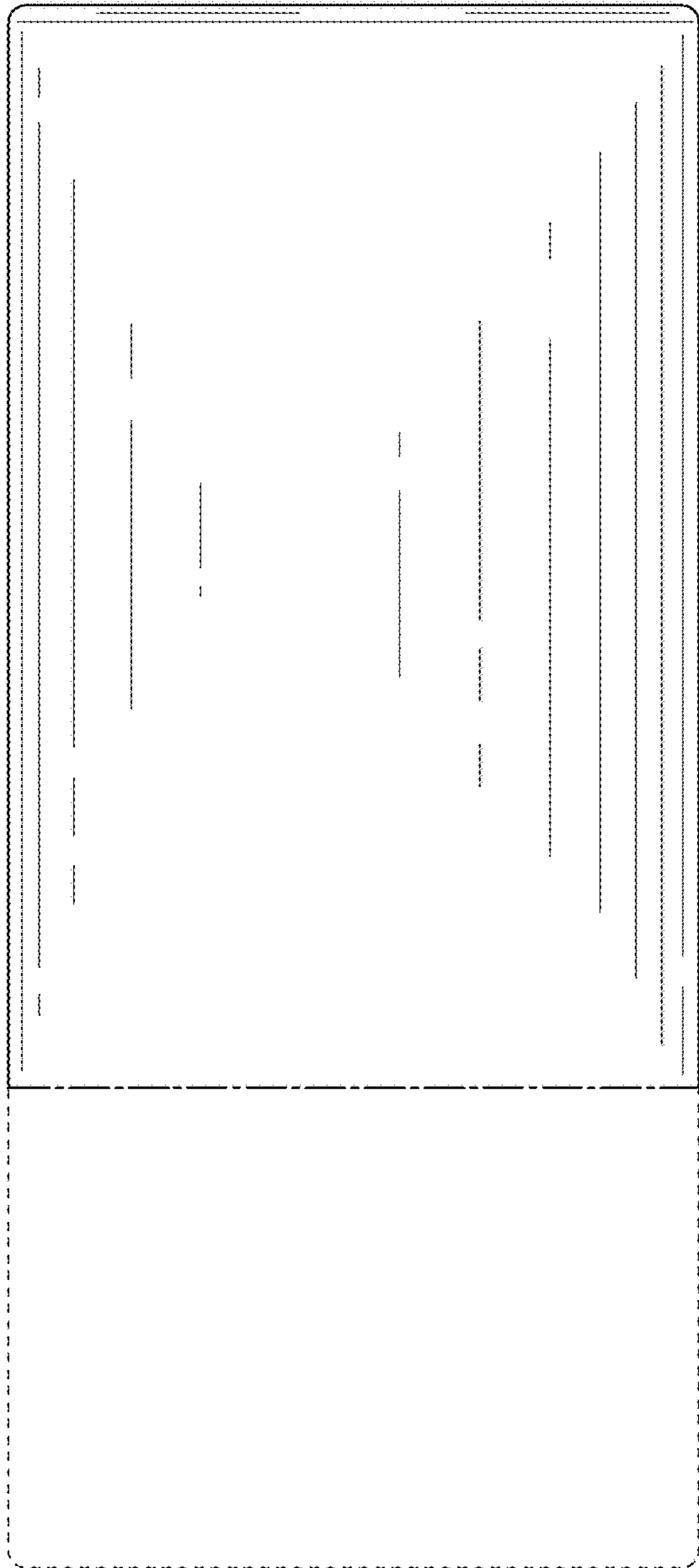


FIG. 5

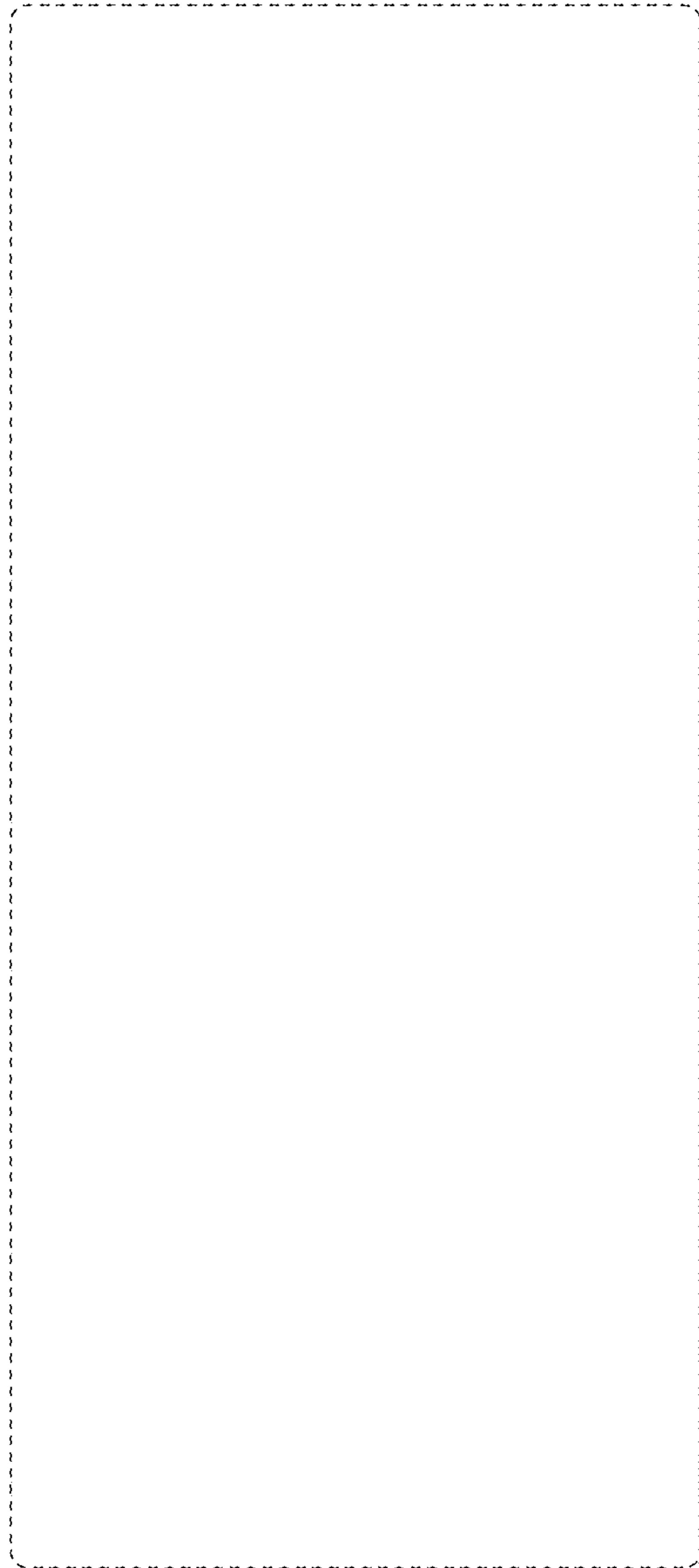


FIG. 6

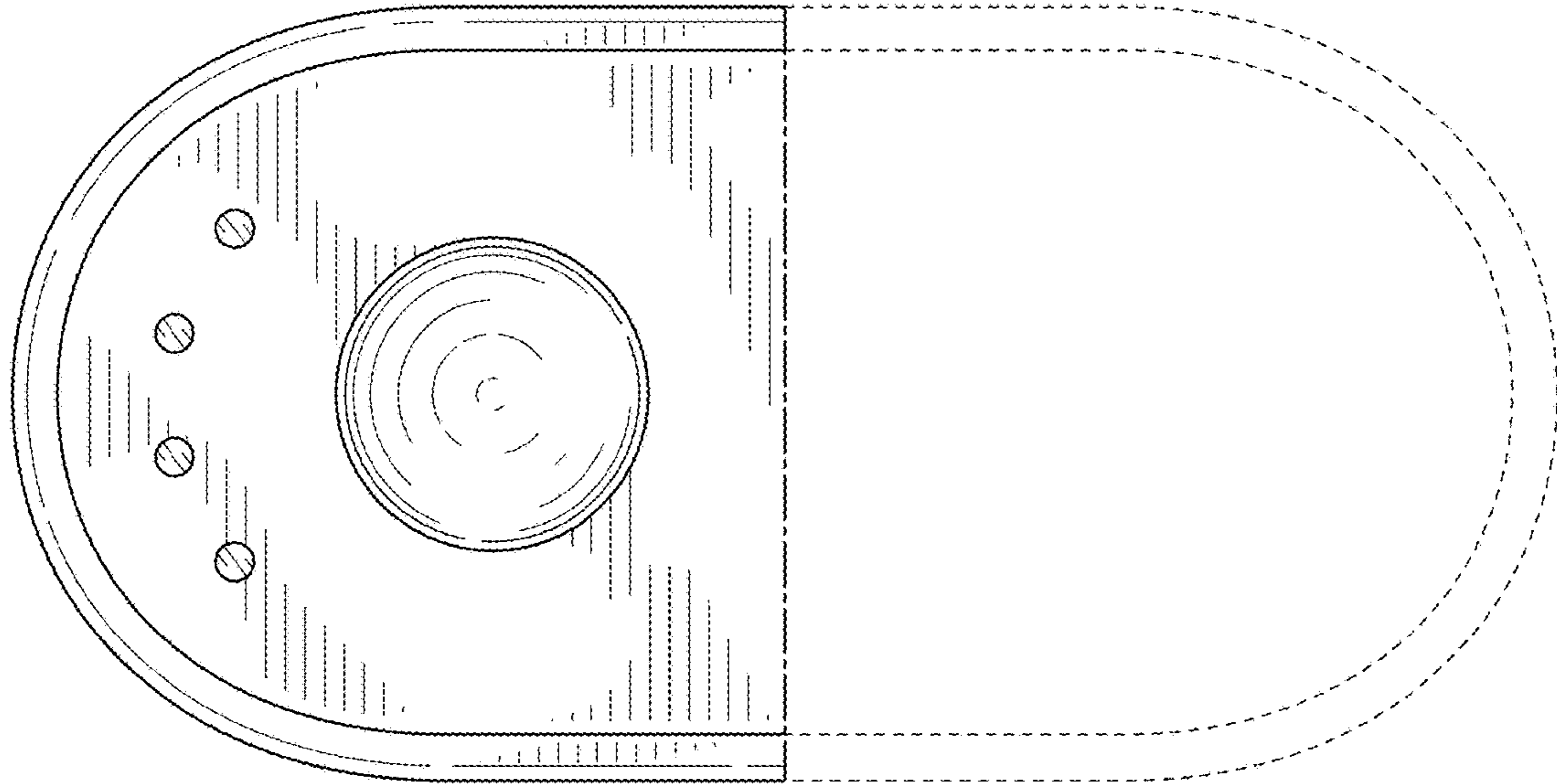


FIG. 7

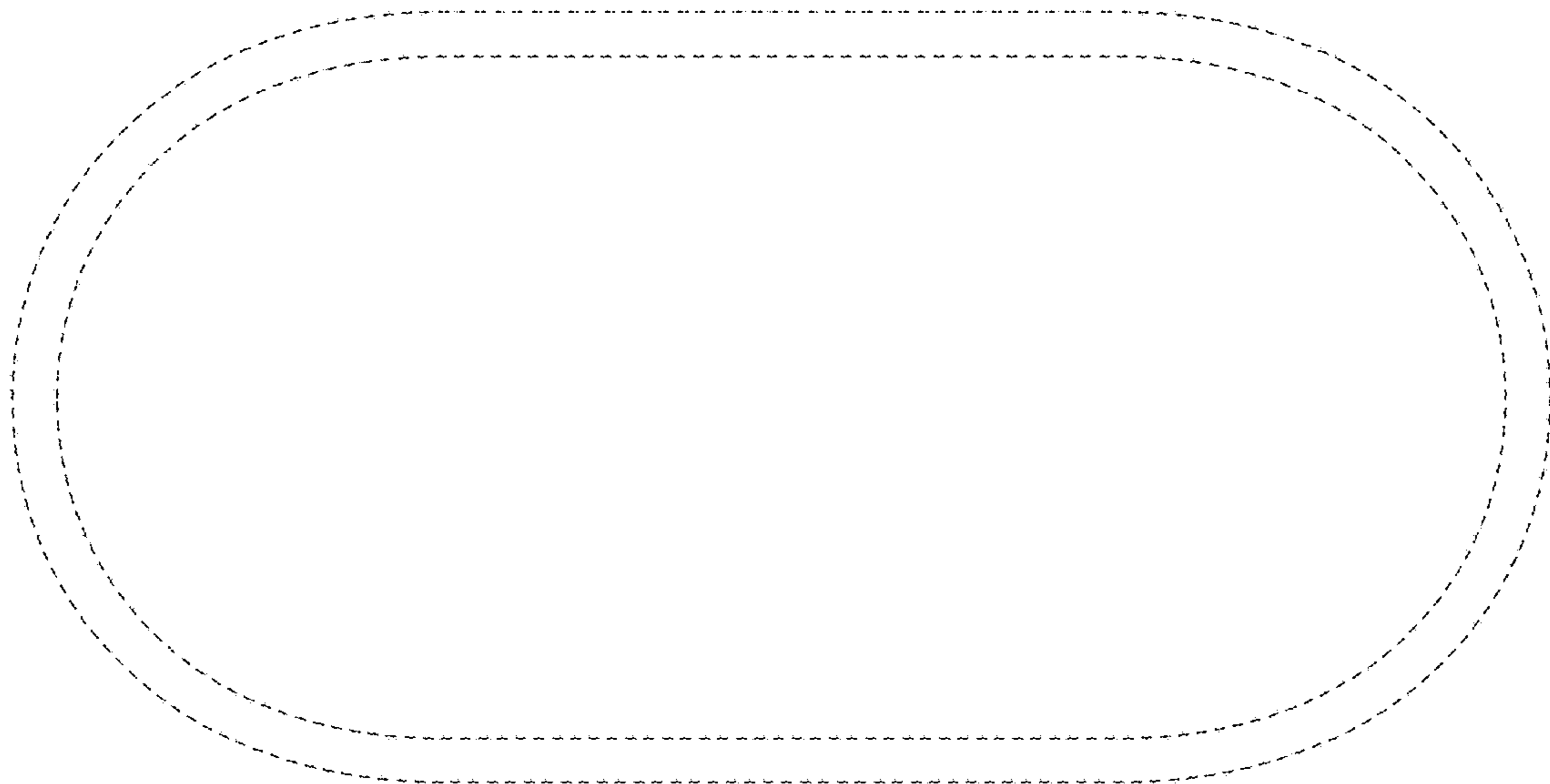


FIG. 8