



US00D789292S

(12) **United States Design Patent**
Kotsubo et al.

(10) **Patent No.:** **US D789,292 S**
(45) **Date of Patent:** **** Jun. 13, 2017**

(54) **LI-ION JUMP STARTER**

(71) Applicant: **Wagan Corporation**, Hayward, CA (US)

(72) Inventors: **Lance Kotsubo**, Fremont, CA (US);
Alex Hsu, Fremont, CA (US)

(73) Assignee: **WAGAN CORPORATION**, Hayward, CA (US)

(**) Term: **15 Years**

(21) Appl. No.: **29/559,541**

(22) Filed: **Mar. 29, 2016**

(51) **LOC (10) Cl.** **13-02**

(52) **U.S. Cl.**
USPC **D13/107**

(58) **Field of Classification Search**
USPC D13/106–110, 118–119, 184; D14/251,
D14/253, 432, 434; D15/9
CPC Y02E 60/12; Y02T 90/14; Y02T 90/122;
Y02T 90/128; Y02T 90/163; Y02T
10/7005; Y02T 10/705; Y02T 10/7088;
H02J 7/025; H02J 7/0042; H02J 7/0044;
H02J 7/0045; H02J 7/0003; H02J 7/0034;
H02J 7/0054; H02J 7/1423; H02J
2001/006; H02J 2001/008; H02J 3/32;
H02J 3/008; H02J 7/0027; H02J 7/0013;
H01F 38/14; H01R 13/6675; H01M
2/1022; H01M 2/1055; H01M 10/44;
H01M 10/46; H01M 10/425; B60L
11/182; B60L 11/1809; B60L 11/1861;
B60R 16/03

See application file for complete search history.

(56) **References Cited**

U.S. PATENT DOCUMENTS

D505,388 S * 5/2005 Krieger D13/107
D517,983 S * 3/2006 Krieger D13/107

D654,865 S * 2/2012 DuMelle D13/107
D662,053 S * 6/2012 Inskeep D13/110
D697,472 S * 1/2014 Lai D13/107
D697,866 S * 1/2014 Inskeep D13/107

OTHER PUBLICATIONS

YouTube.com: How-to Use: Wagan Tech iOnBooster V10. Published Oct. 9, 2015. Retrieved from the internet at <https://www.youtube.com/watch?v=B4A7DRKtsrw>, Feb. 13, 2017. 1 page.*

* cited by examiner

Primary Examiner — Rosemary K Tarcza

Assistant Examiner — Christy Nemeth

(74) *Attorney, Agent, or Firm* — Michael K. Bosworth;
Klintworth & Rozenblat IP LLC

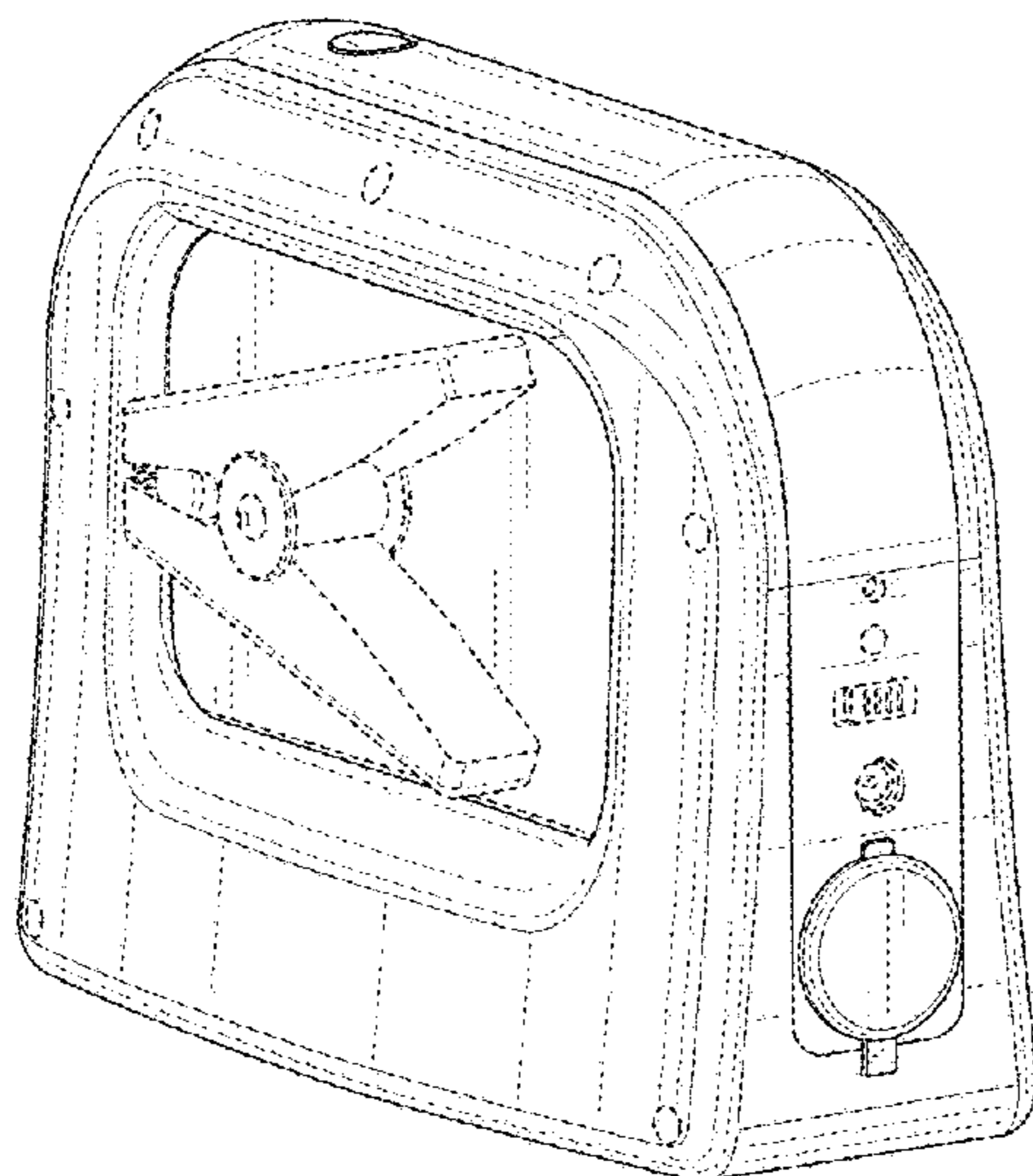
(57) **CLAIM**

The ornamental design for a li-ion jump starter, as shown and described.

DESCRIPTION

FIG. 1 is a left front perspective view of the li-ion jump starter;
FIG. 2 is a right rear perspective view of the li-ion jump starter;
FIG. 3 is a front view of the li-ion jump starter;
FIG. 4 is a back view of the li-ion jump starter;
FIG. 5 is a left view of the li-ion jump starter;
FIG. 6 is a right view of the li-ion jump starter;
FIG. 7 is a top view of the li-ion jump starter; and,
FIG. 8 is a bottom view of the li-ion jump starter.
The broken lines in the drawings illustrate elements of the li-ion jump starter that form no part of the claimed design.

1 Claim, 8 Drawing Sheets



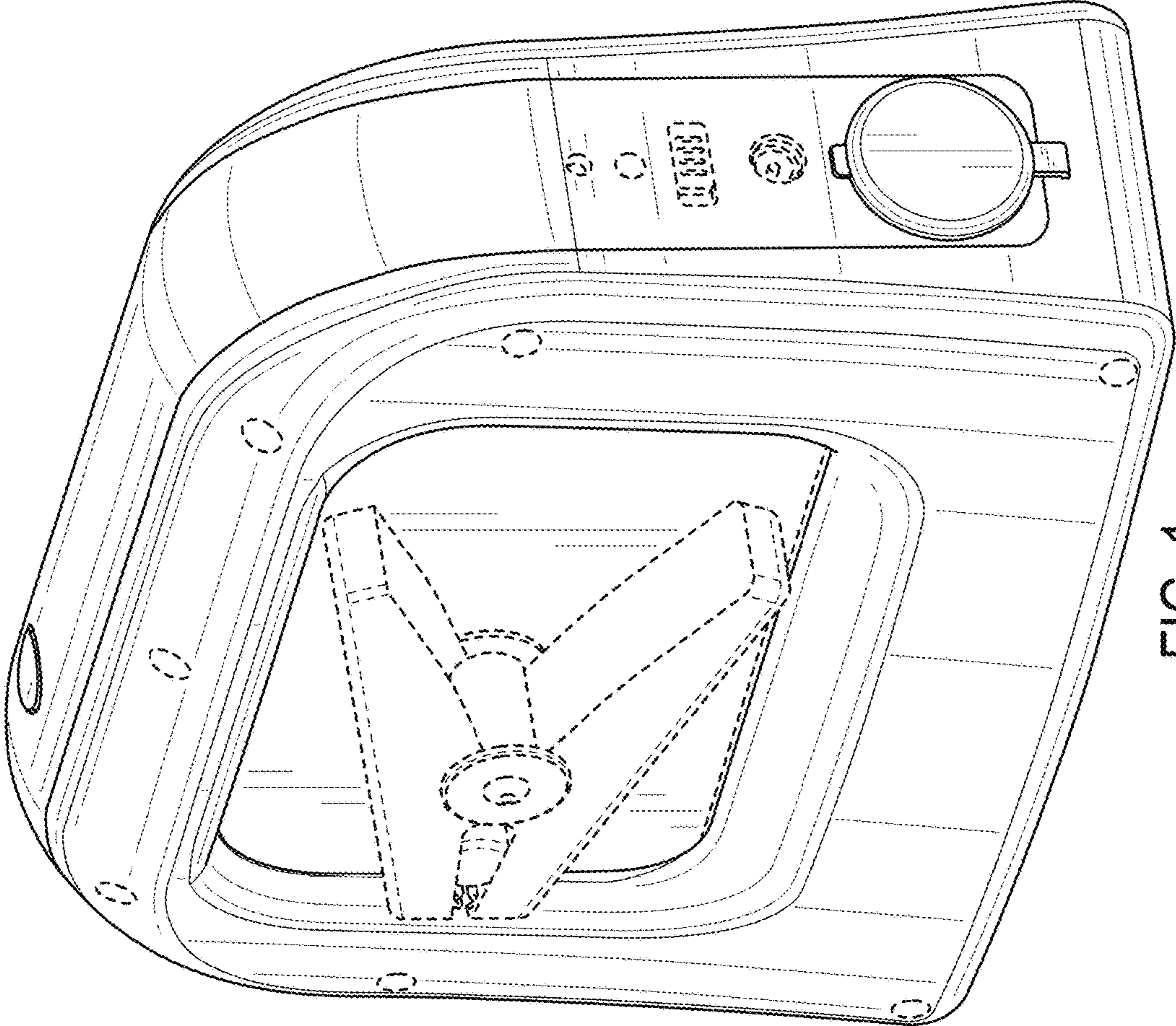


FIG. 1

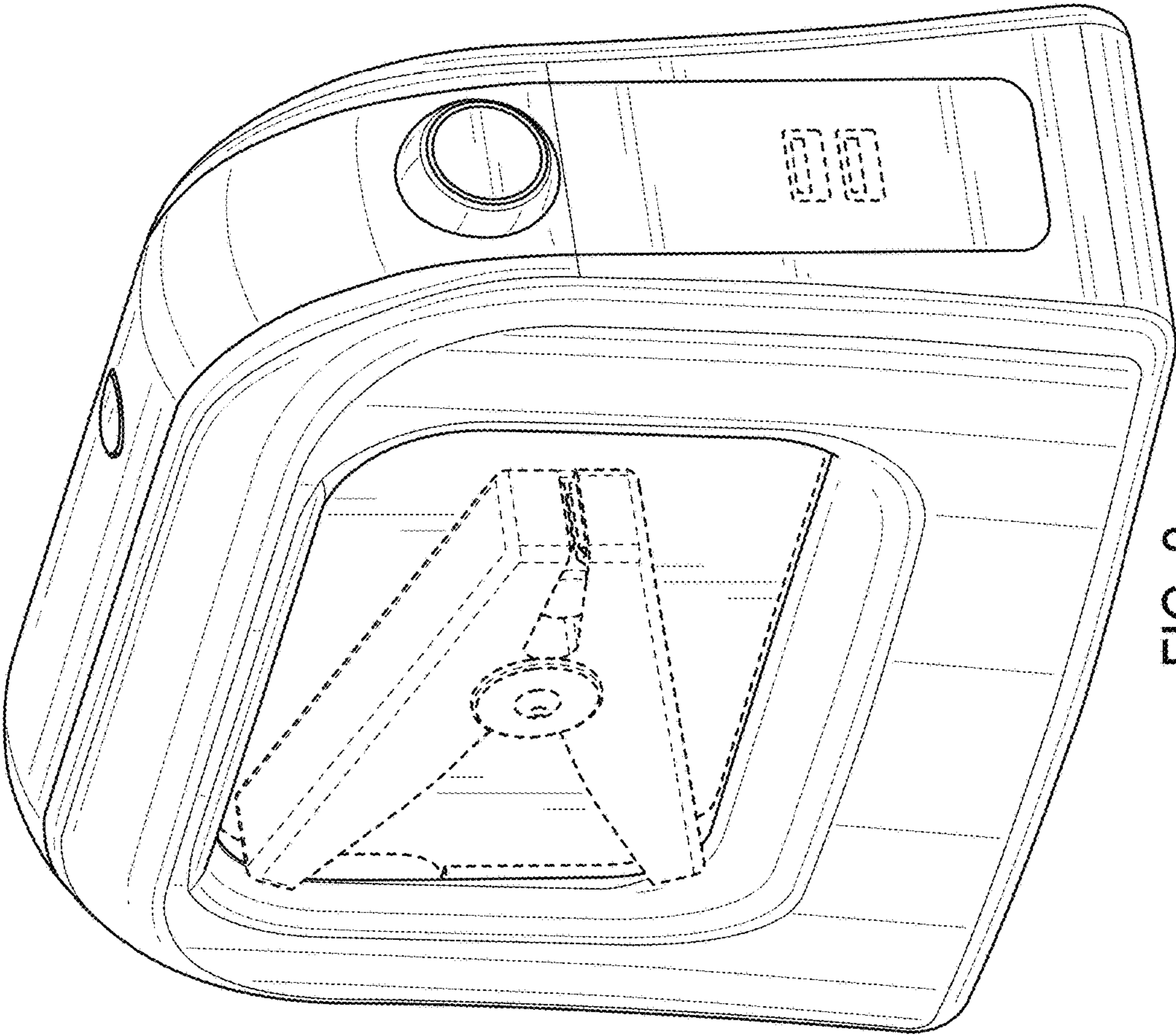


FIG. 2

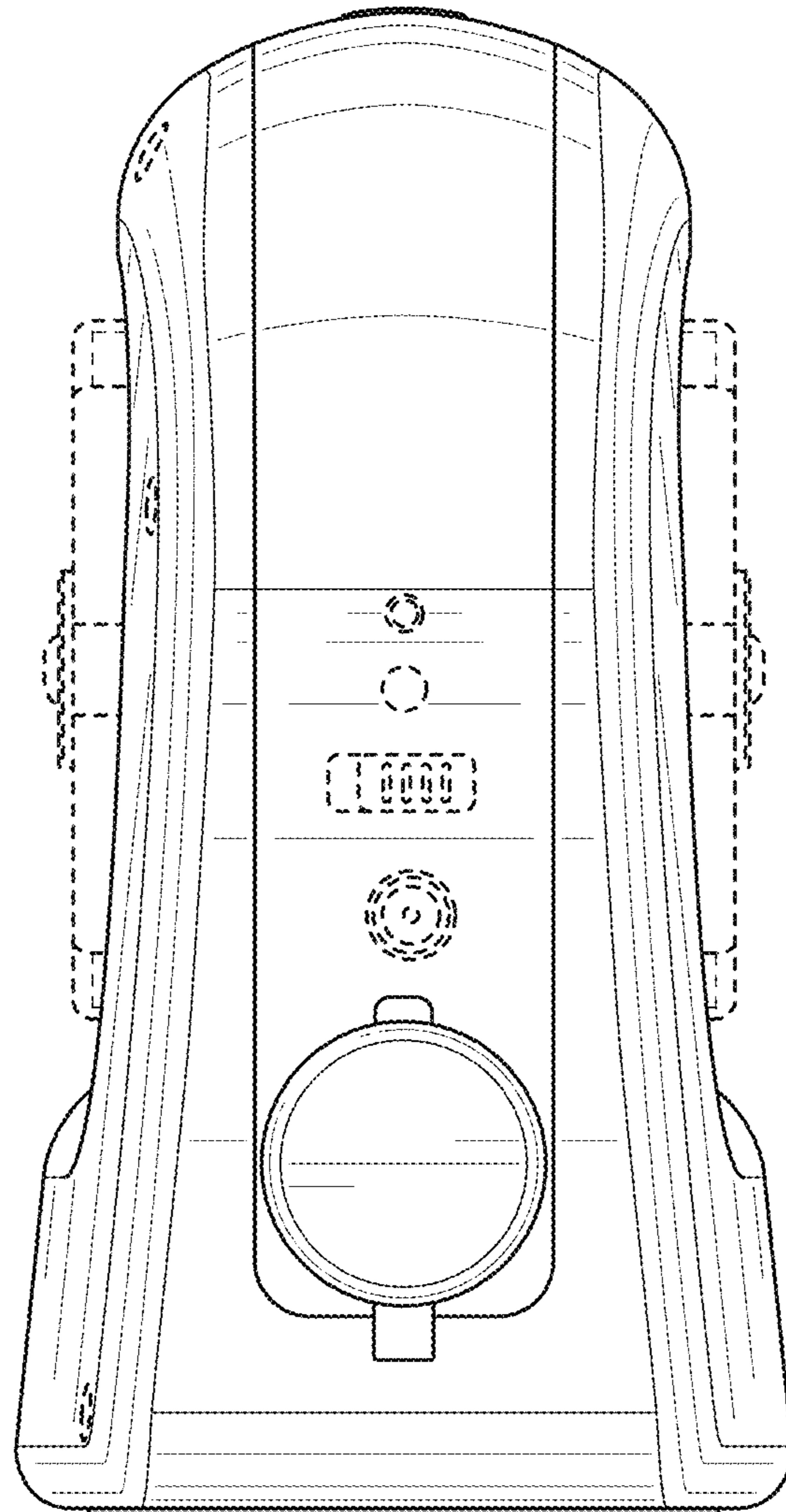


FIG. 3

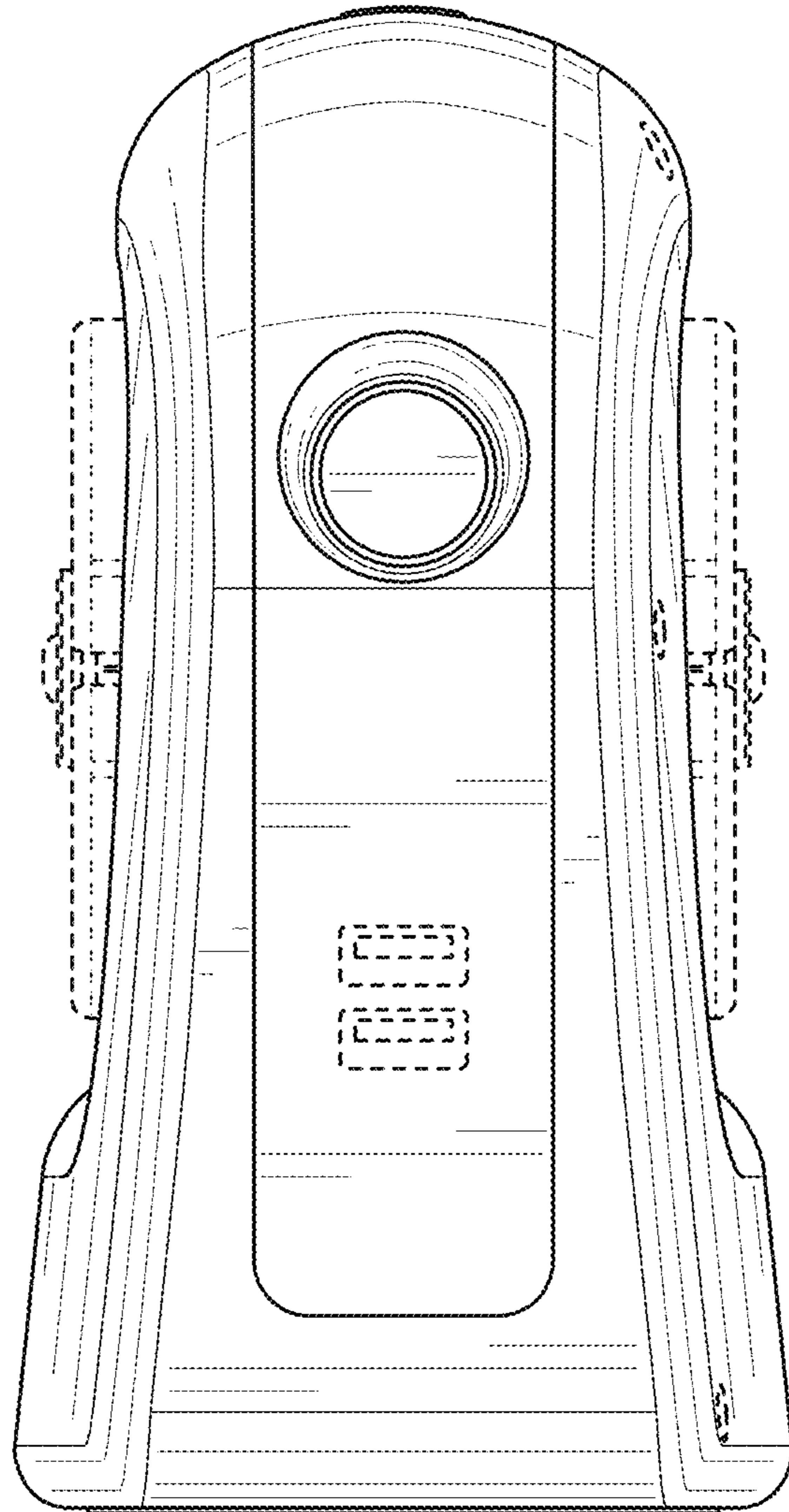


FIG. 4

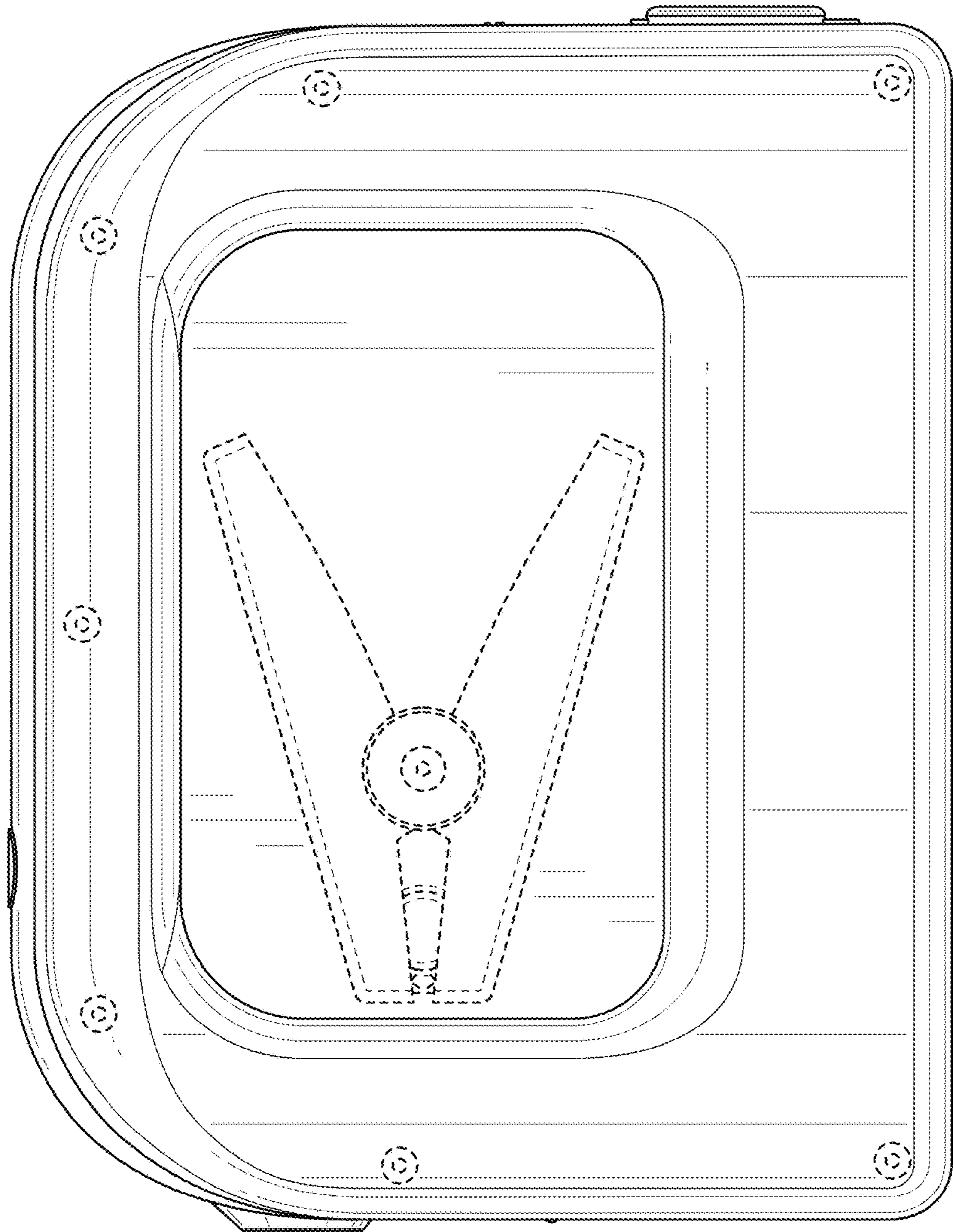


FIG. 5

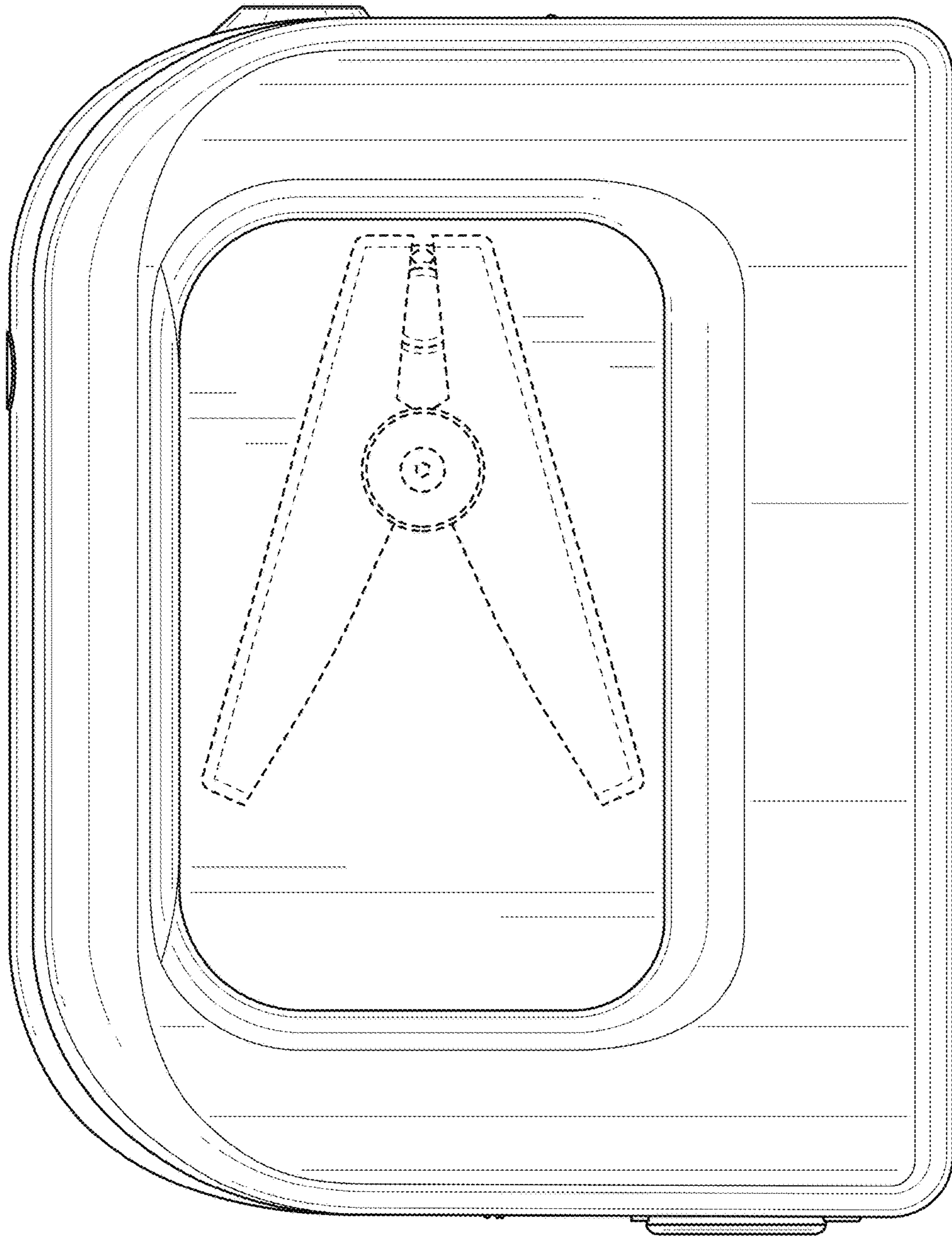


FIG. 6

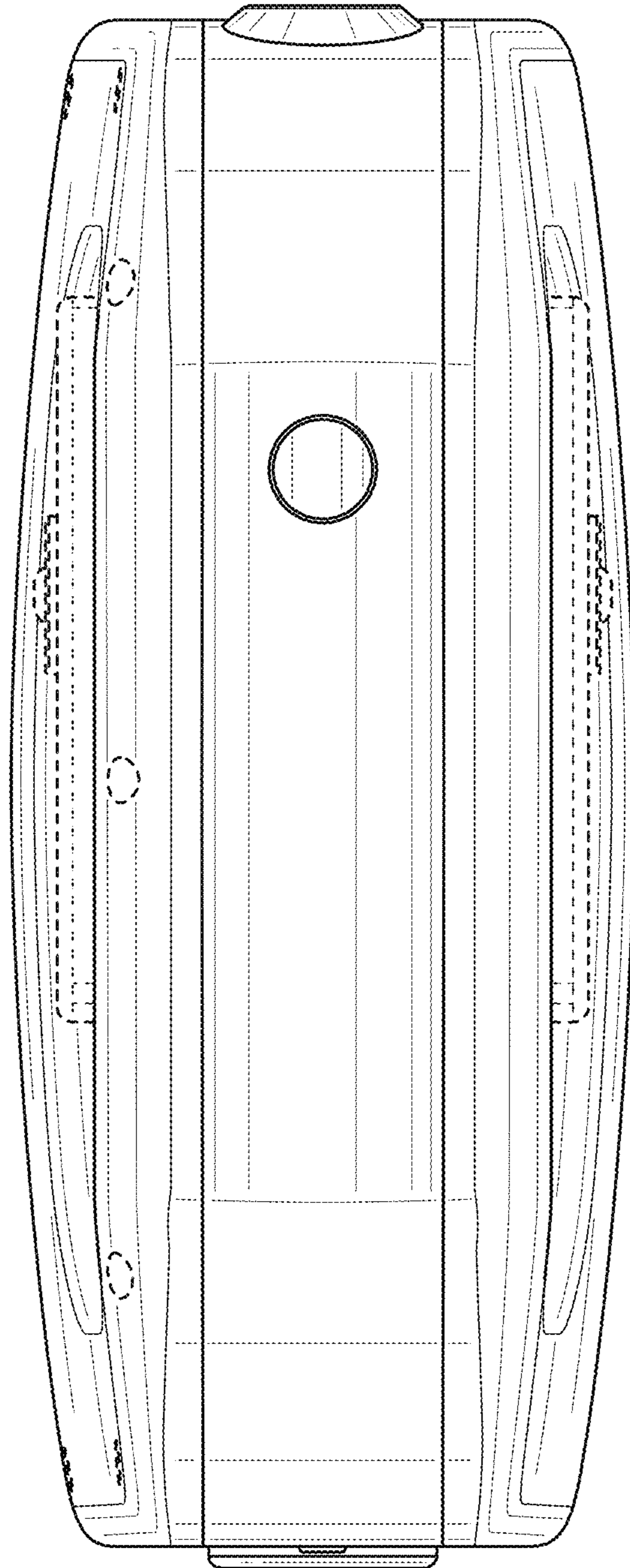


FIG. 7

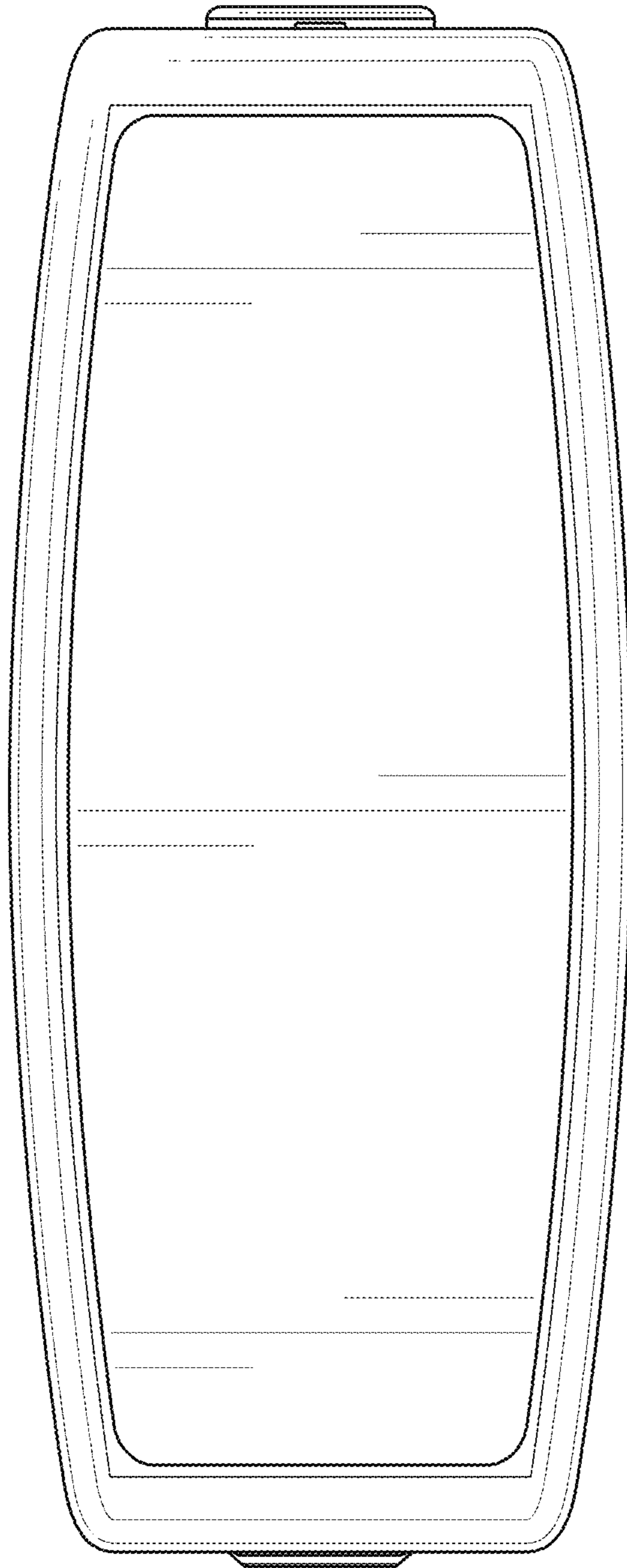


FIG. 8