



US00D789288S

(12) **United States Design Patent**  
**Wuescher et al.**

(10) **Patent No.:** **US D789,288 S**

(45) **Date of Patent:** **\*\* Jun. 13, 2017**

(54) **TIRE**

(71) Applicant: **Tredit Tire & Wheel Company, Inc.**,  
Elkhart, IN (US)

(72) Inventors: **Andrew Wuescher**, Granger, IN (US);  
**Ronald A. Pike**, Mansfield, TX (US)

(73) Assignee: **Tredit Tire & Wheel Company, Inc.**,  
Elkhart, IN (US)

(\*\*) Term: **15 Years**

(21) Appl. No.: **29/569,474**

(22) Filed: **Jun. 28, 2016**

(51) **LOC (10) Cl.** ..... **12-15**

(52) **U.S. Cl.**  
USPC ..... **D12/590**

(58) **Field of Classification Search**  
USPC ..... D12/586, 587, 588, 589, 590, 591, 595,  
D12/600  
CPC ..... B60C 11/0306; B60C 2011/0388  
See application file for complete search history.

(56) **References Cited**

**U.S. PATENT DOCUMENTS**

D560,599 S *	1/2008	Dixon	.....	D12/587
D593,937 S *	6/2009	Maxwell	.....	D12/588
D604,231 S *	11/2009	Hada	.....	D12/586
D604,692 S *	11/2009	Ebiko	.....	D12/587

D610,969 S *	3/2010	Dixon	.....	D12/587
D610,970 S *	3/2010	You	.....	D12/590
9,283,814 B2 *	3/2016	Hayashi	.....	B60C 11/04
D764,392 S *	8/2016	Fu	.....	D12/585
D779,416 S *	2/2017	Zhang	.....	D12/585
D780,679 S *	3/2017	Curtis	.....	D12/595

\* cited by examiner

*Primary Examiner* — Robert M Spear

(74) *Attorney, Agent, or Firm* — Renner, Kenner, Greive,  
Bobak, Taylor & Weber

(57) **CLAIM**

The ornamental design for a tire, as shown and described.

**DESCRIPTION**

FIG. 1 is a perspective view of a tire showing our new design.

FIG. 2 is a front elevational view of FIG. 1.

FIG. 3 is a side elevational view of FIG. 1.

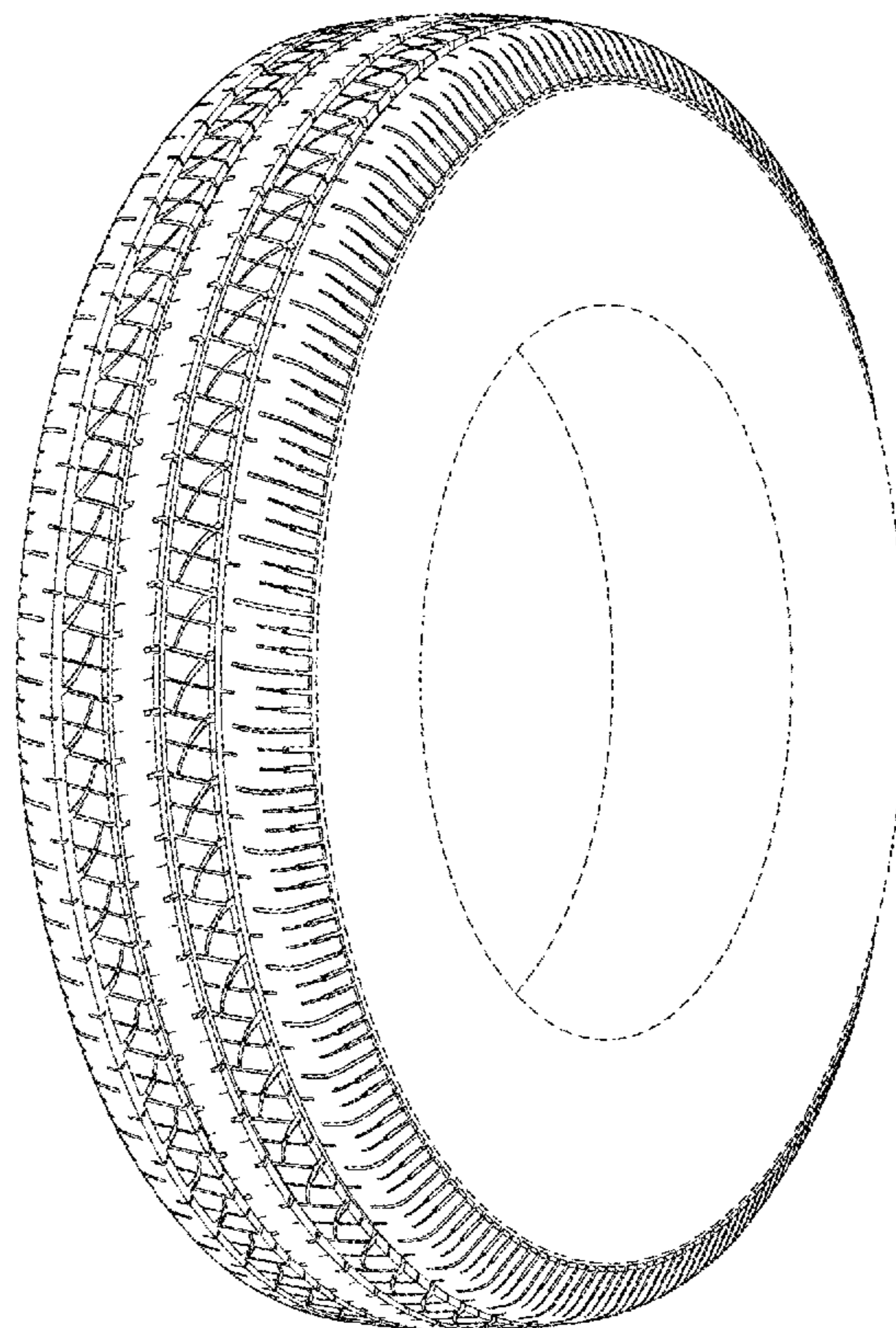
FIG. 4 is an enlarged view of the designated portion of FIG. 2.

FIG. 5 is a perspective view of a tire showing our new tread pattern; and,

FIG. 6 is a front elevational view of FIG. 5.

In FIGS. 1 through 4, the broken line showing of portions of a tire sidewall and inner bead depicts environment and forms no part of the claim.

**1 Claim, 6 Drawing Sheets**



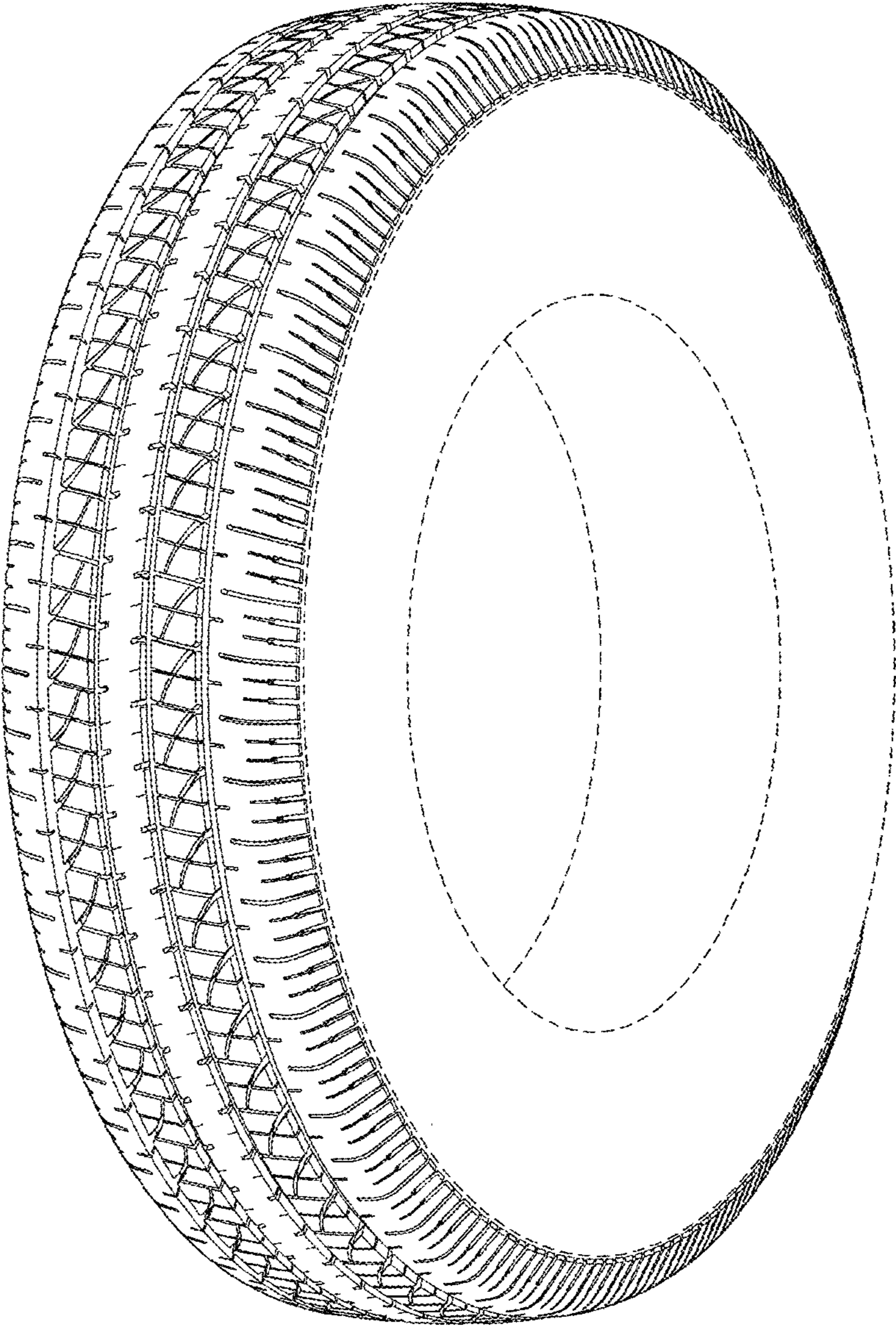


FIG-1



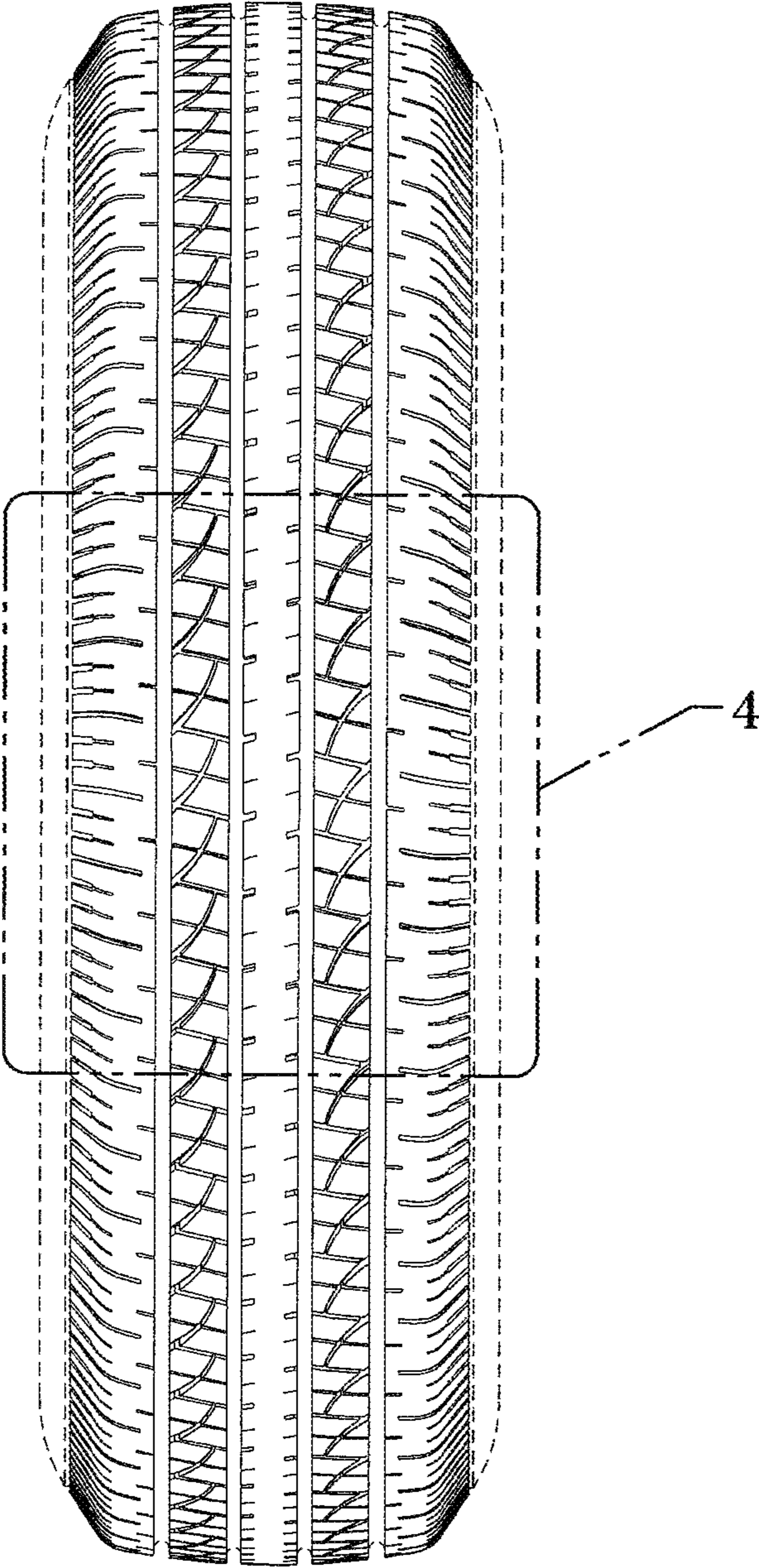


FIG-2

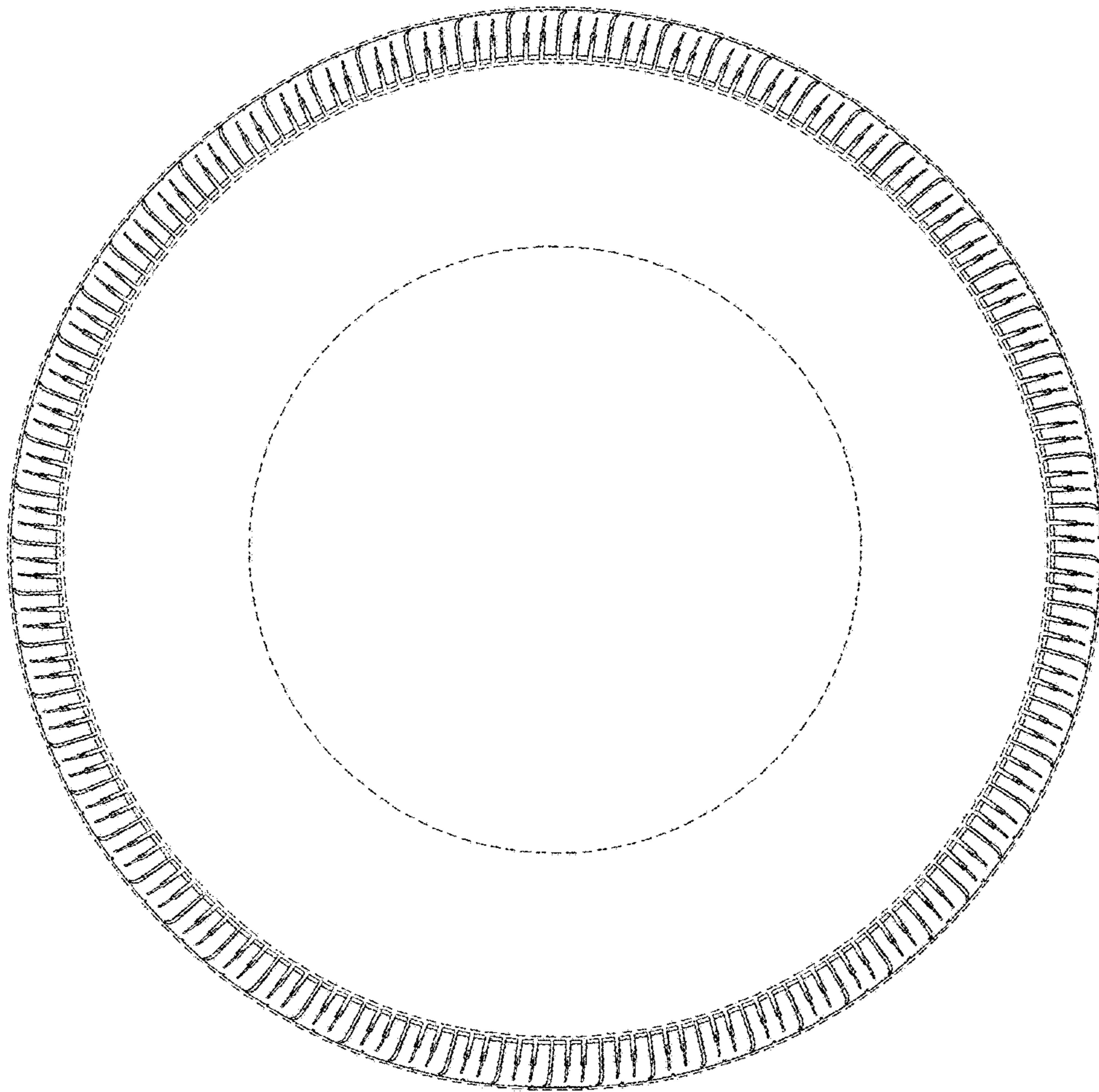


FIG-3

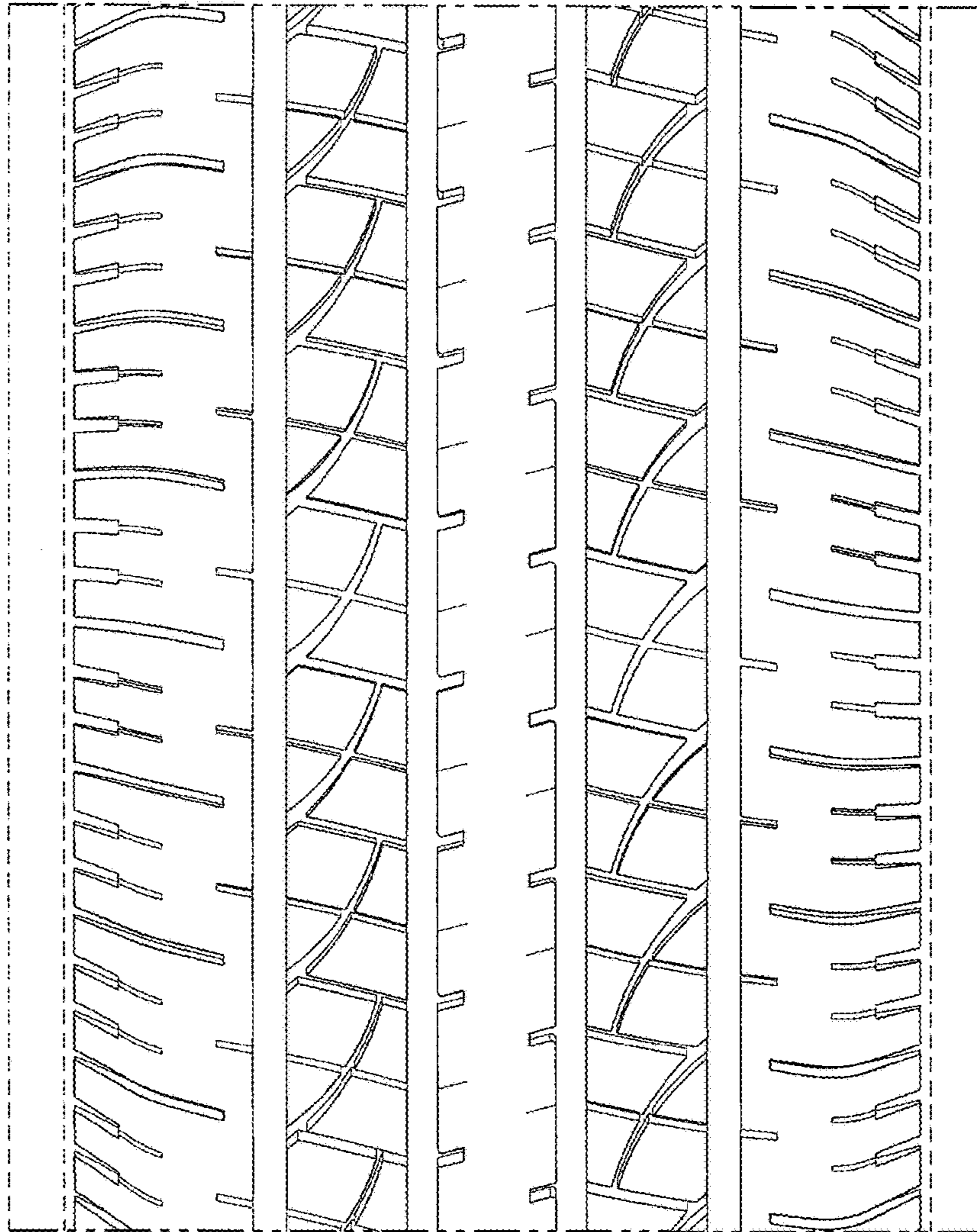


FIG-4



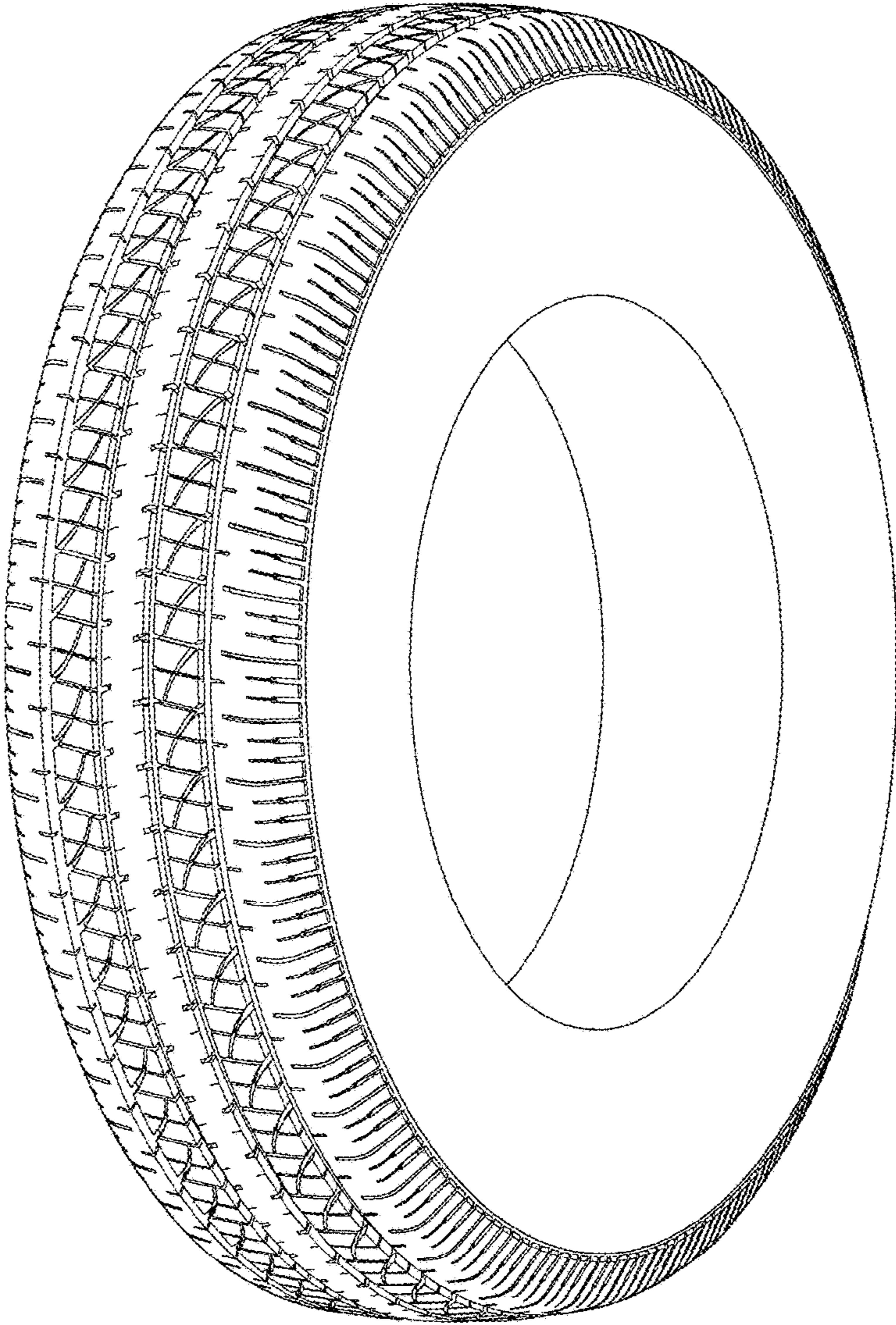


FIG-5

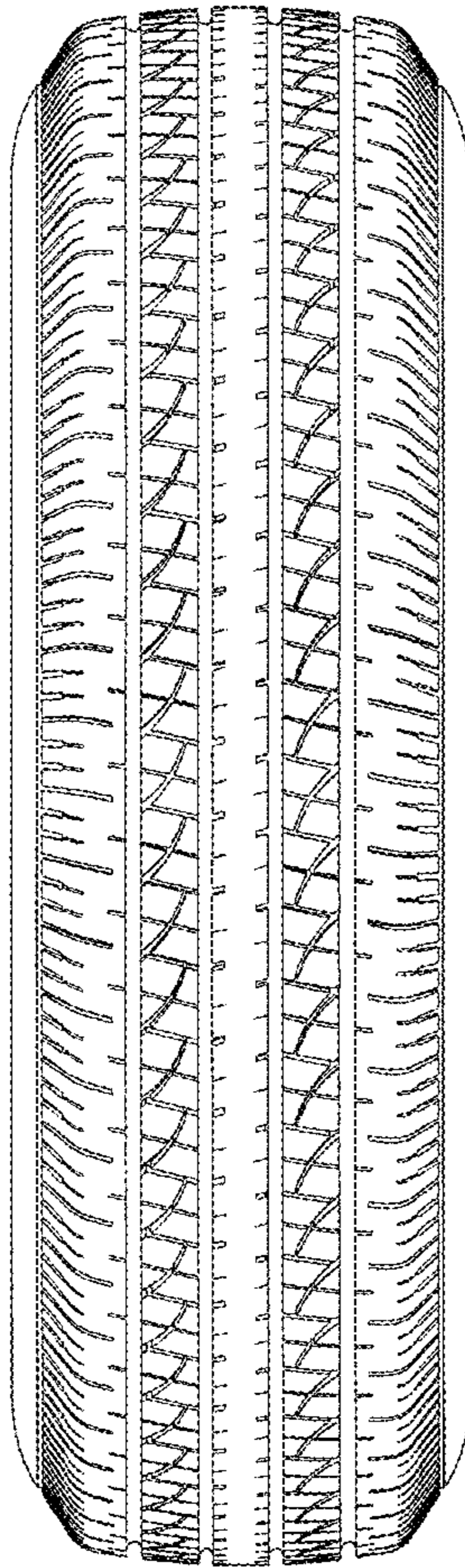


FIG-6