



US00D789286S

(12) **United States Design Patent**
Han et al.

(10) **Patent No.:** **US D789,286 S**

(45) **Date of Patent:** **** Jun. 13, 2017**

(54) **TIRE**

(71) Applicant: **The Goodyear Tire & Rubber Company, Akron, OH (US)**

(72) Inventors: **Bingshan Han, Ettelbruck (LU); Frederic Ngo, Blaschette (LU); Armand Rene Gabriel Leconte, Bigonville (LU); Sebastien Willy Fontaine, Vichten (LU); Franck Tuccella, Lexy (FR); Gregory Jardot, Hettange-Grande (FR); Manfred Josef Jung, Freisen (DE); Alexander Ossipov, Leuven (BE); William Urbano Villamizar, Mersch (LU)**

(73) Assignee: **The Goodyear Tire & Rubber Company, Akron, OH (US)**

(**) Term: **15 Years**

(21) Appl. No.: **29/558,659**

(22) Filed: **Mar. 21, 2016**

(51) **LOC (10) Cl.** **12-15**

(52) **U.S. Cl.**
USPC **D12/588**

(58) **Field of Classification Search**
USPC D12/568-604, 900
CPC B60C 1/0016; B60C 11/0306; B60C 11/0302; B60C 3/06; B60C 9/17
See application file for complete search history.

(56) **References Cited**

U.S. PATENT DOCUMENTS

D427,551 S	*	7/2000	Weber	D12/588
D432,956 S		10/2000	Ricquet	D12/141
D436,900 S	*	1/2001	Buresh	D12/588
D451,453 S		12/2001	Maxwell et al.	D12/147
D522,442 S		6/2006	Shirouzu	D12/515

D559,767 S	1/2008	Graas et al.	D12/521
D586,724 S	2/2009	Seibert et al.	D12/519
D586,725 S	2/2009	Fontaine et al.	D12/519

(Continued)

Primary Examiner — Robert M Spear

Assistant Examiner — John Voytek

(74) *Attorney, Agent, or Firm* — Robert N. Lipsik

(57) **CLAIM**

The ornamental Design for a tire, as shown and described.

DESCRIPTION

FIG. 1 is a perspective view of a tire showing our new design, it being understood that the pattern repeats uniformly throughout the circumference of the tread;

FIG. 2 is a front elevational view thereof;

FIG. 3 is a right side elevational view thereof; the left side elevational view being identical thereto;

FIG. 4 is an enlarged fragmentary front elevational view thereof;

FIG. 5 is a perspective view of a second embodiment of a tire showing our new design, it being understood that the pattern repeats uniformly throughout the circumference of the tread and that the opposite side view is identical thereto;

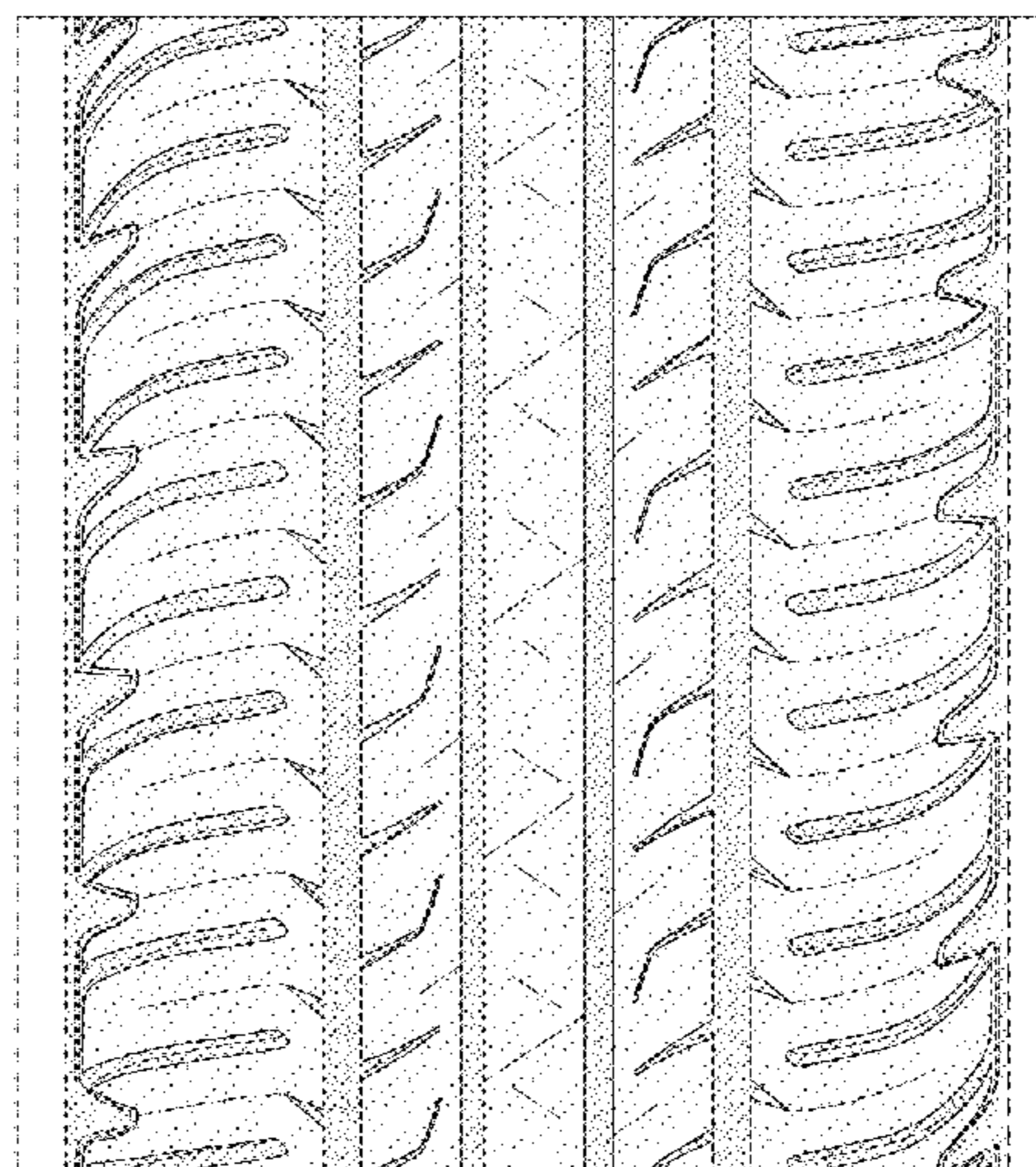
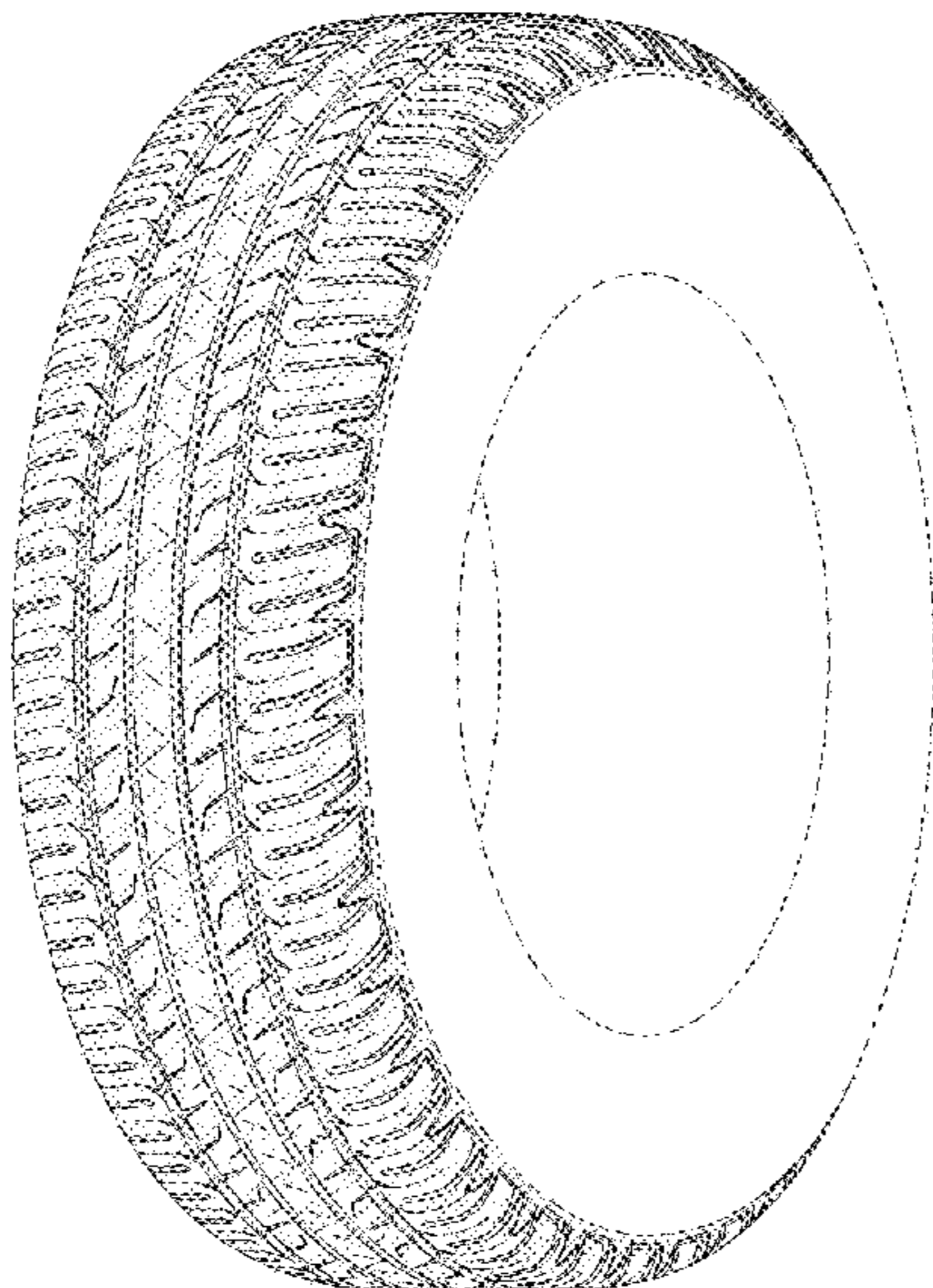
FIG. 6 is a front elevational view of a second embodiment, it being understood that an enlarged fragmentary view thereof would be substantially identical to that shown in FIG. 4, with the exception of the inclusion of the sidewall in the claim; and,

FIG. 7 is a cross-sectional view taken along line 7-7 of FIG. 2.

In the drawings, the broken lines showing of the sidewall, inner bead and the peripheral boundary between the tire tread and the sidewall in FIGS. 1 through 4 depict environmental subject matter and form no part of the claimed design.

The dark stippled surface shading represents the recessed portion of the tread grooves having a depth as best shown in FIG. 2.

1 Claim, 7 Drawing Sheets



(56)

References Cited

U.S. PATENT DOCUMENTS

D586,734 S *	2/2009	Bindner	D12/590
D593,931 S	6/2009	Fontaine et al.	D12/521
D597,474 S	8/2009	Yamakawa et al.	D12/519
D601,939 S	10/2009	Fontaine et al.	D12/519
D606,002 S	12/2009	Yamakawa et al.	D12/519
D607,809 S	1/2010	Fontaine et al.	D12/523
D609,161 S	2/2010	Fontaine et al.	D12/517
D610,970 S *	3/2010	You	D12/590
D634,699 S	3/2011	Fontaine et al.	D12/517
D638,348 S	5/2011	Harvey et al.	D12/521
D639,719 S	6/2011	Harvey et al.	D12/521
D639,720 S	6/2011	Harvey et al.	D12/521
D644,592 S	9/2011	Grabo et al.	D12/519
D644,593 S	9/2011	Fontaine et al.	D12/523
D659,075 S	5/2012	Harvey et al.	D12/521
D659,633 S	5/2012	Bindner et al.	D12/521
D662,451 S	6/2012	Schmalix et al.	D12/521
D668,598 S	10/2012	Hughes et al.	D12/521
D676,802 S *	2/2013	Takei	D12/588
D680,058 S *	4/2013	Takei	D12/588
D694,702 S	12/2013	Leconte et al.	D12/521
D710,290 S	8/2014	Leconte et al.	D12/517
D710,293 S	8/2014	Fontaine et al.	D12/588
D720,681 S	1/2015	Bindner et al.	D12/523
D740,745 S *	10/2015	Tian	D12/586
D769,799 S *	10/2016	Sareen	D12/590

* cited by examiner

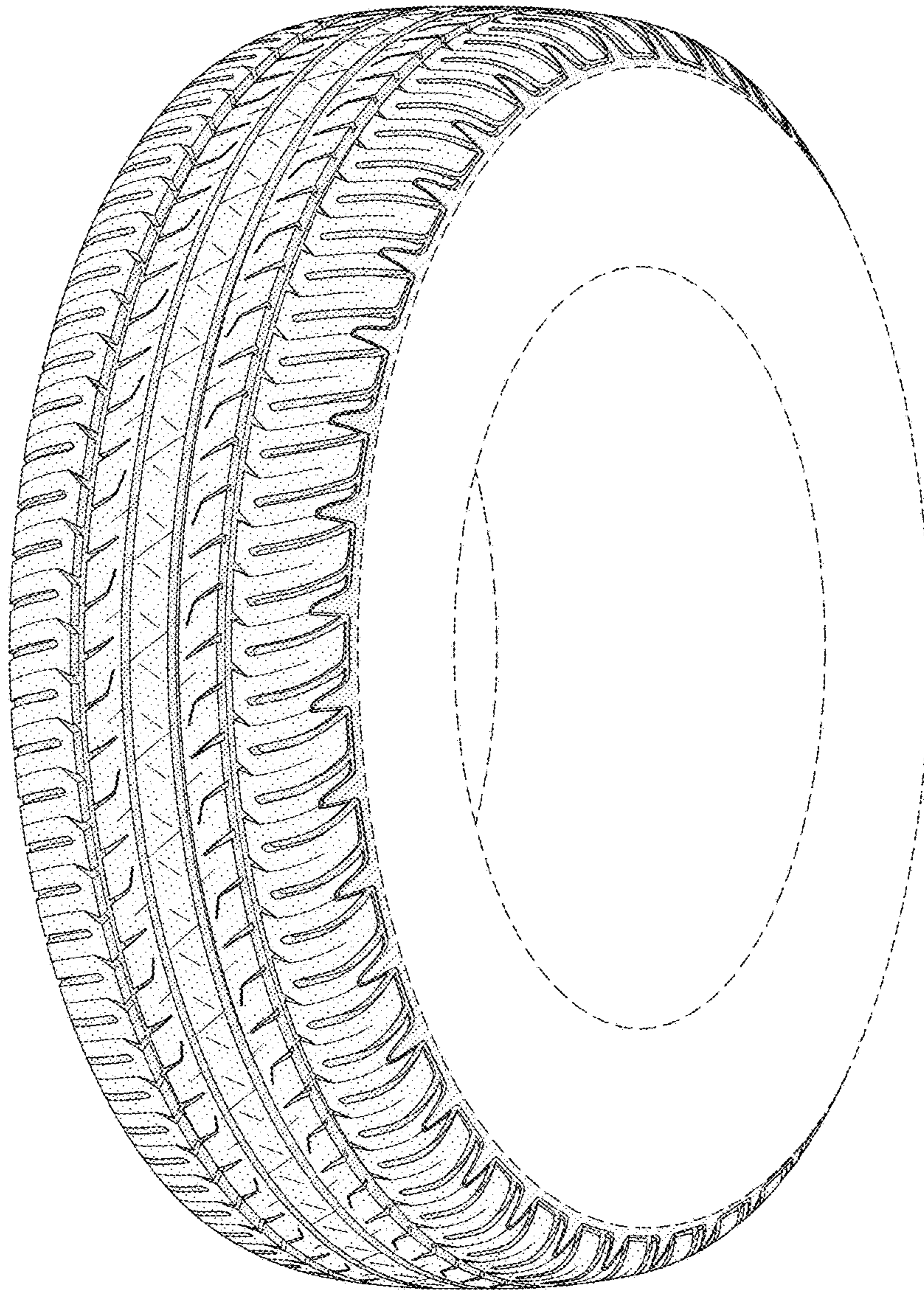


FIG-1

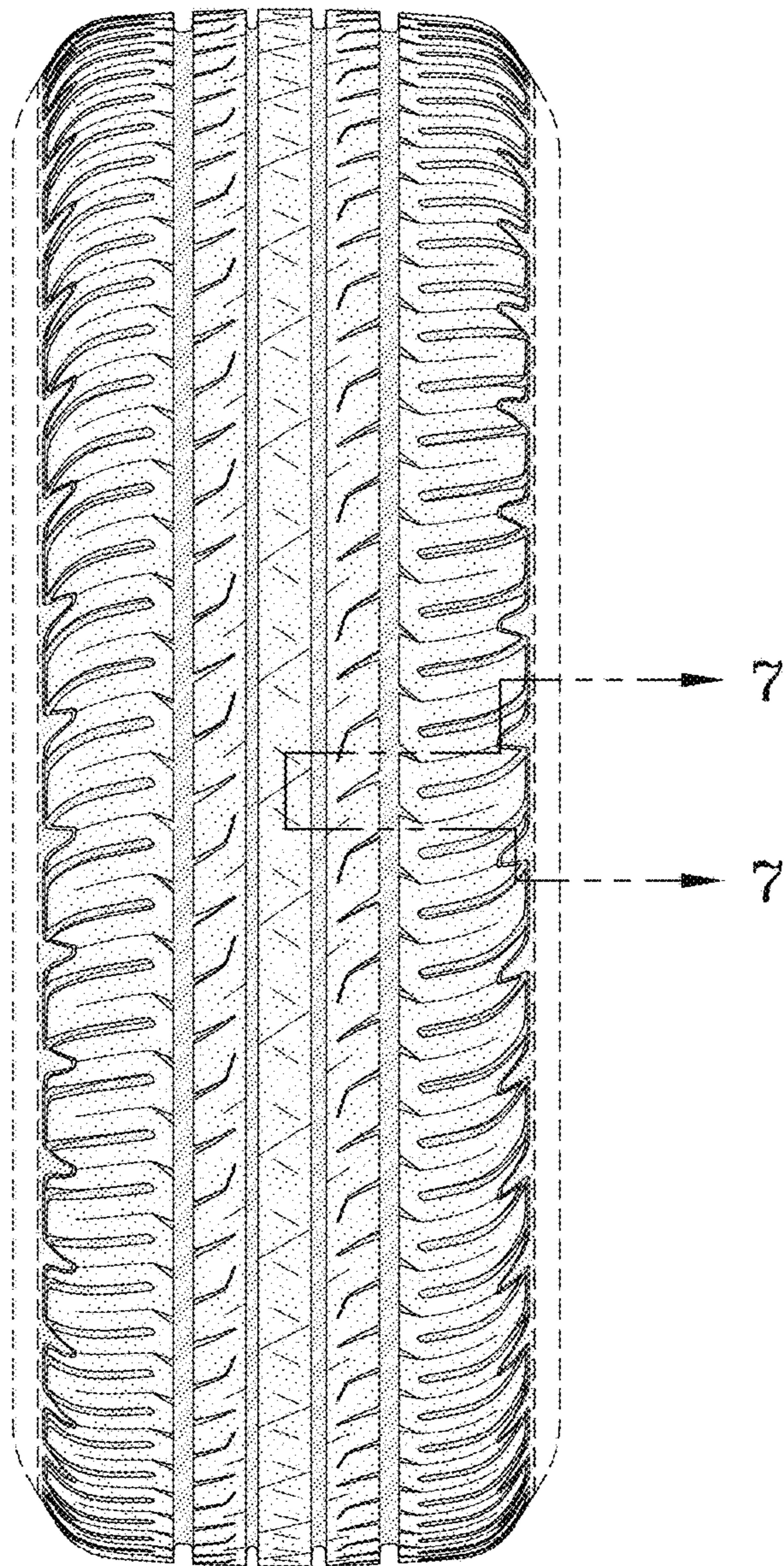


FIG-2

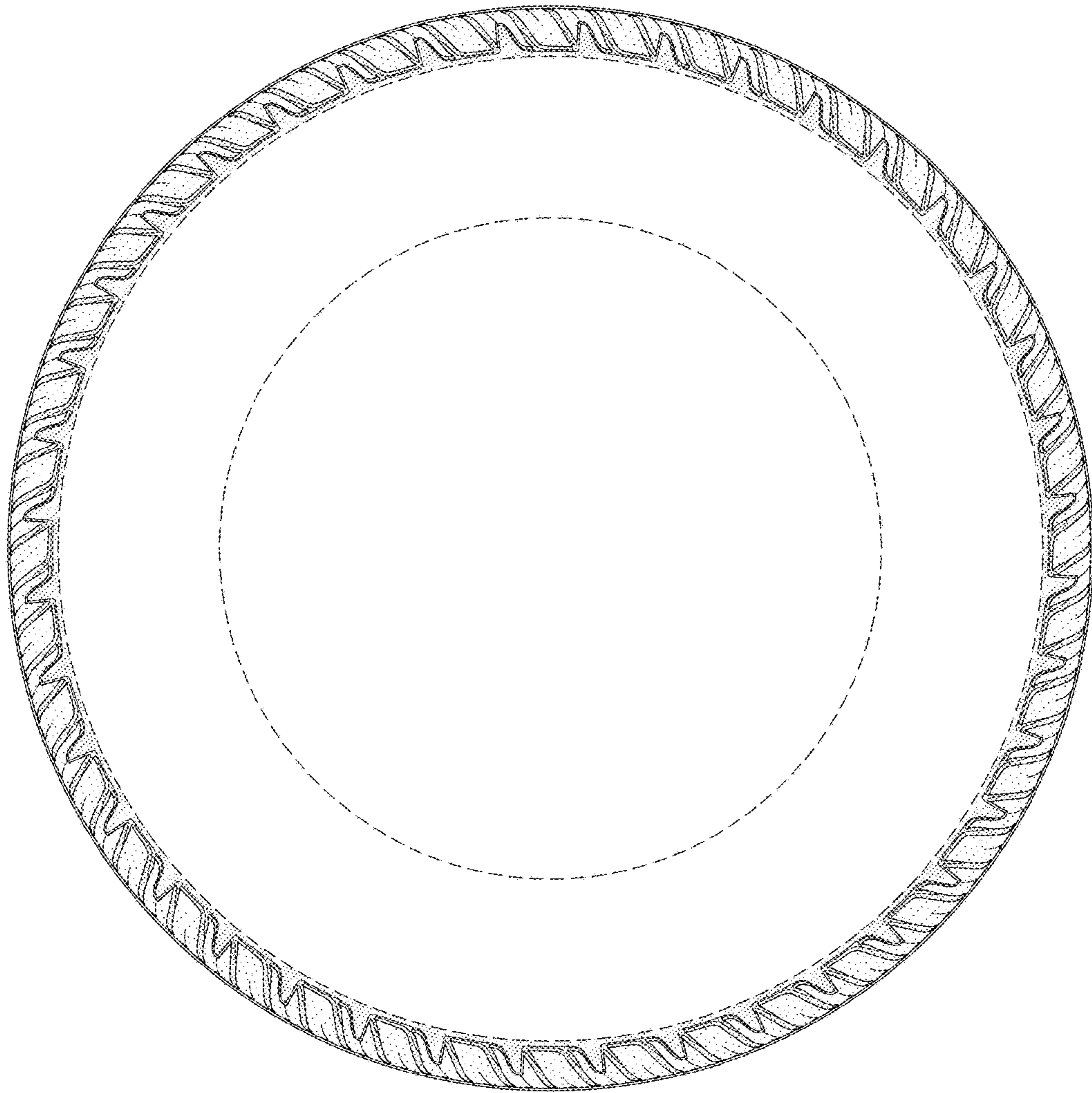


FIG-3

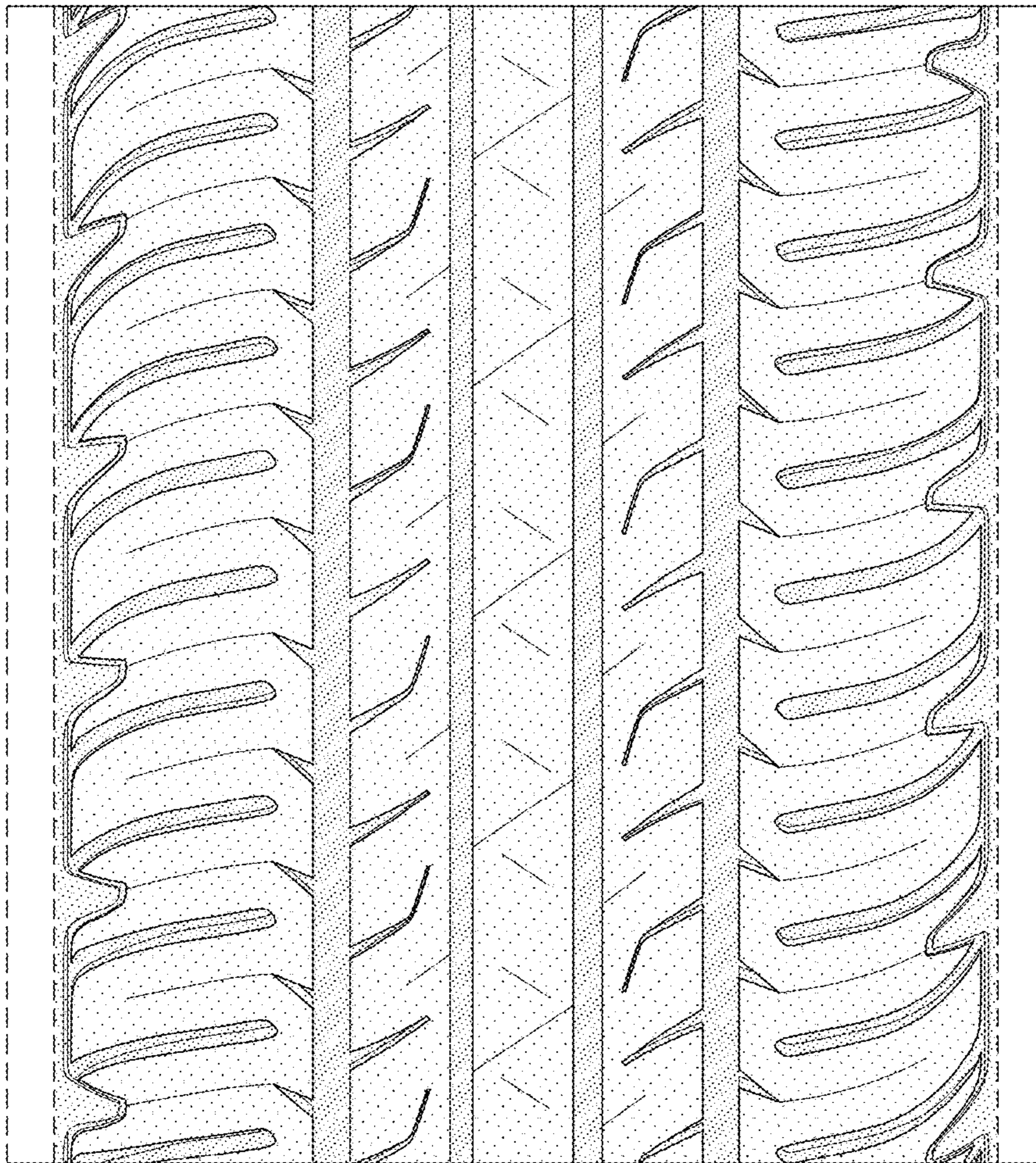


FIG-4

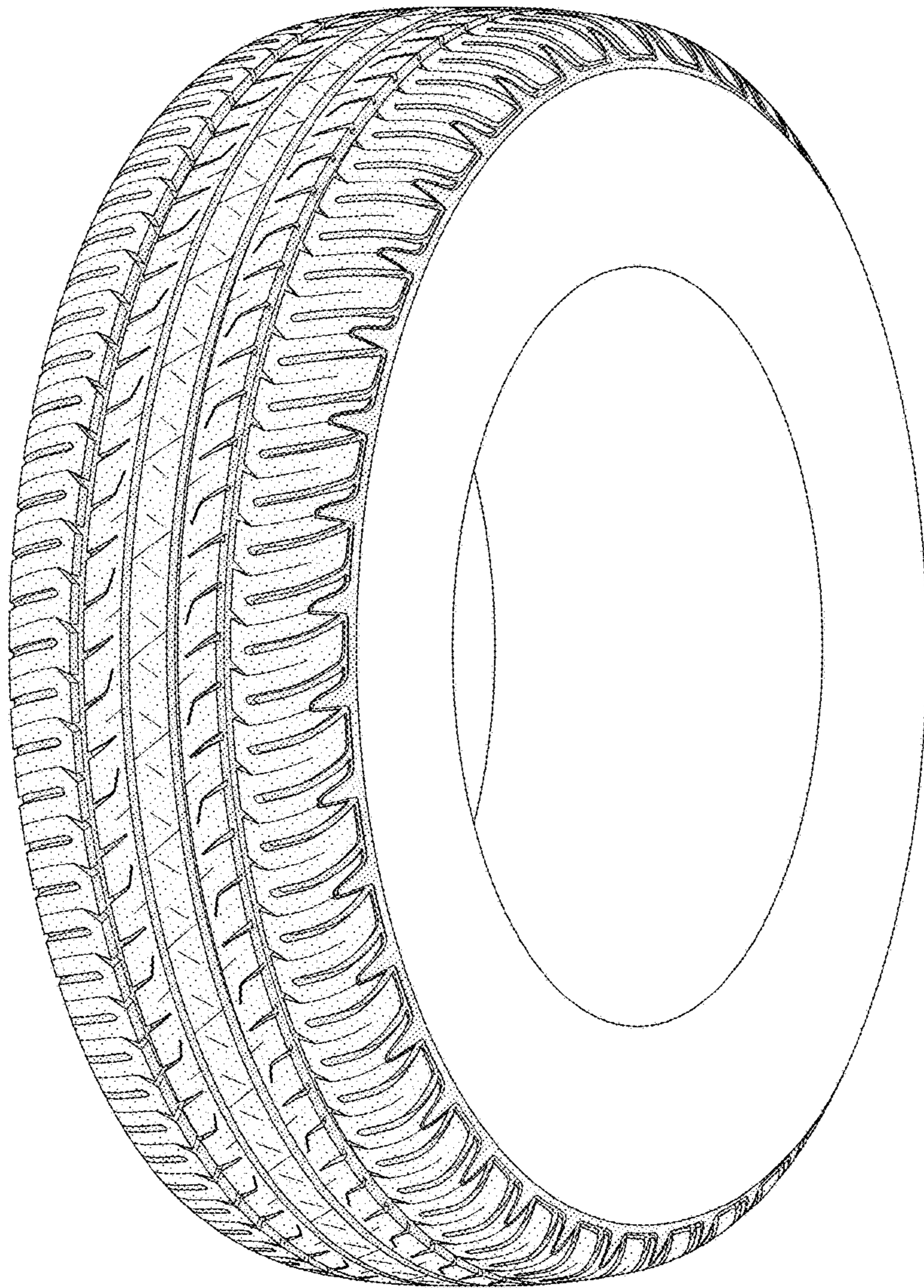


FIG-5

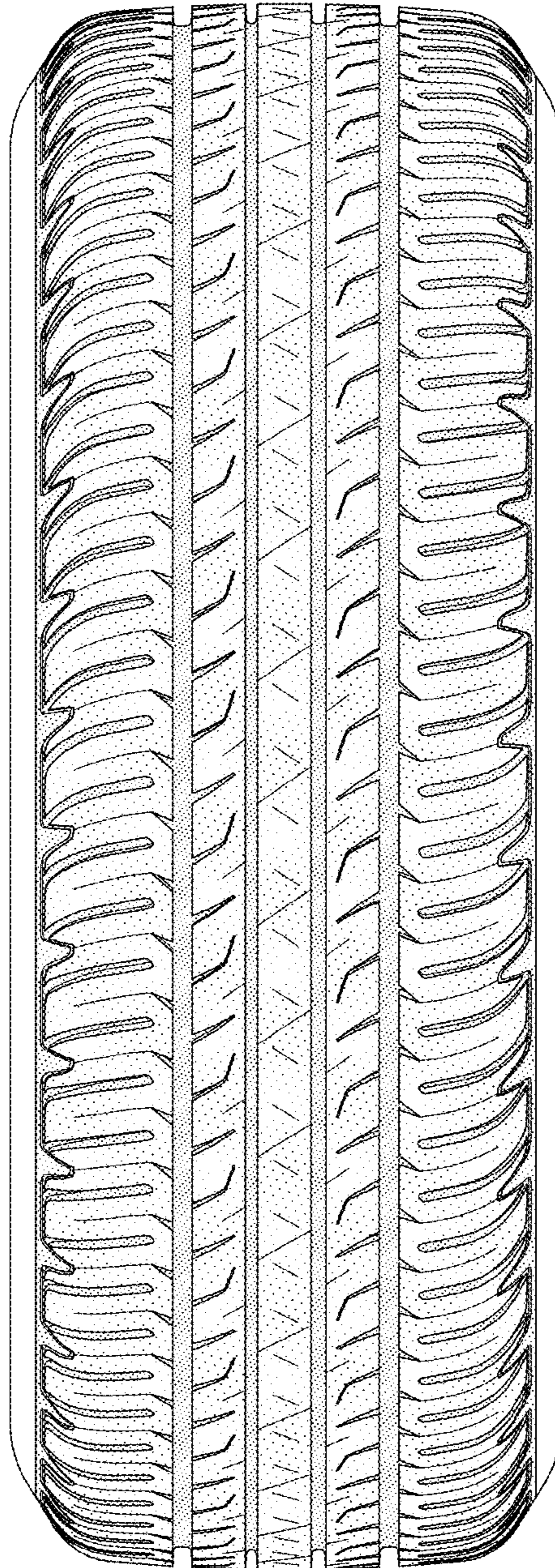


FIG-6

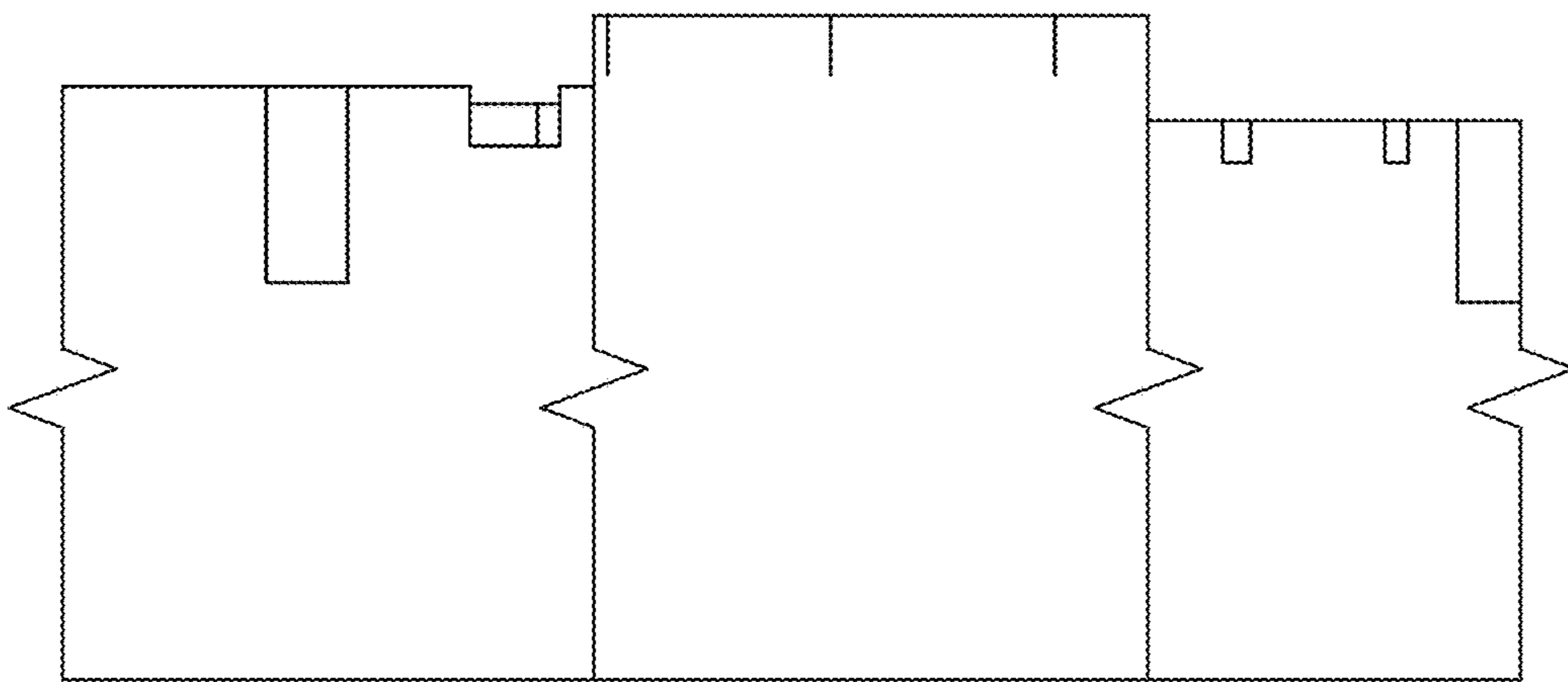


FIG-7