



US00D789282S

(12) **United States Design Patent**  
**Kidesaki et al.**

(10) **Patent No.:** **US D789,282 S**

(45) **Date of Patent:** **\*\* Jun. 13, 2017**

(54) **AUTOMOBILE TIRE**

(71) Applicant: **THE YOKOHAMA RUBBER CO., LTD.**, Minato-ku, Tokyo (JP)

(72) Inventors: **Takashi Kidesaki**, Hiratsuka (JP);  
**Yoshifumi Koishikawa**, Hiratsuka (JP);  
**Hiroshi Tokizaki**, Tokyo (JP)

(73) Assignee: **THE YOKOHAMA RUBBER CO., LTD.**, Minato-ku, Tokyo (JP)

(\*\*) Term: **15 Years**

(21) Appl. No.: **29/561,222**

(22) Filed: **Apr. 14, 2016**

(30) **Foreign Application Priority Data**

Oct. 14, 2015 (JP) ..... 2015-022683

(51) **LOC (10) Cl.** ..... **12-15**

(52) **U.S. Cl.**  
USPC ..... **D12/584**

(58) **Field of Classification Search**  
USPC ..... D12/568-604, 900  
CPC ..... B60C 1/0016; B60C 11/0306; B60C  
11/0302; B60C 3/06; B60C 9/17  
See application file for complete search history.

(56) **References Cited**

**U.S. PATENT DOCUMENTS**

D403,633 S \* 1/1999 Legge ..... D12/602  
D426,179 S \* 6/2000 Fierro ..... D12/596

D641,685 S \* 7/2011 Youn ..... D12/584  
D646,625 S \* 10/2011 Youn ..... D12/584  
D729,726 S \* 5/2015 Shimizu ..... D12/567  
D738,816 S \* 9/2015 Kato ..... D12/584  
D771,554 S \* 11/2016 Garcia ..... D12/574

\* cited by examiner

*Primary Examiner* — Robert M Spear

*Assistant Examiner* — John Voytek

(74) *Attorney, Agent, or Firm* — Banner & Witcoff, Ltd.

(57) **CLAIM**

The ornamental design for an automobile tire, as shown and described.

**DESCRIPTION**

FIG. 1 is a perspective view of an automobile tire showing our new design;

FIG. 2 is a front view thereof;

FIG. 3 is a rear view thereof;

FIG. 4 is a right side view thereof;

FIG. 5 is a left side view thereof;

FIG. 6 is a top view thereof;

FIG. 7 is a bottom view thereof;

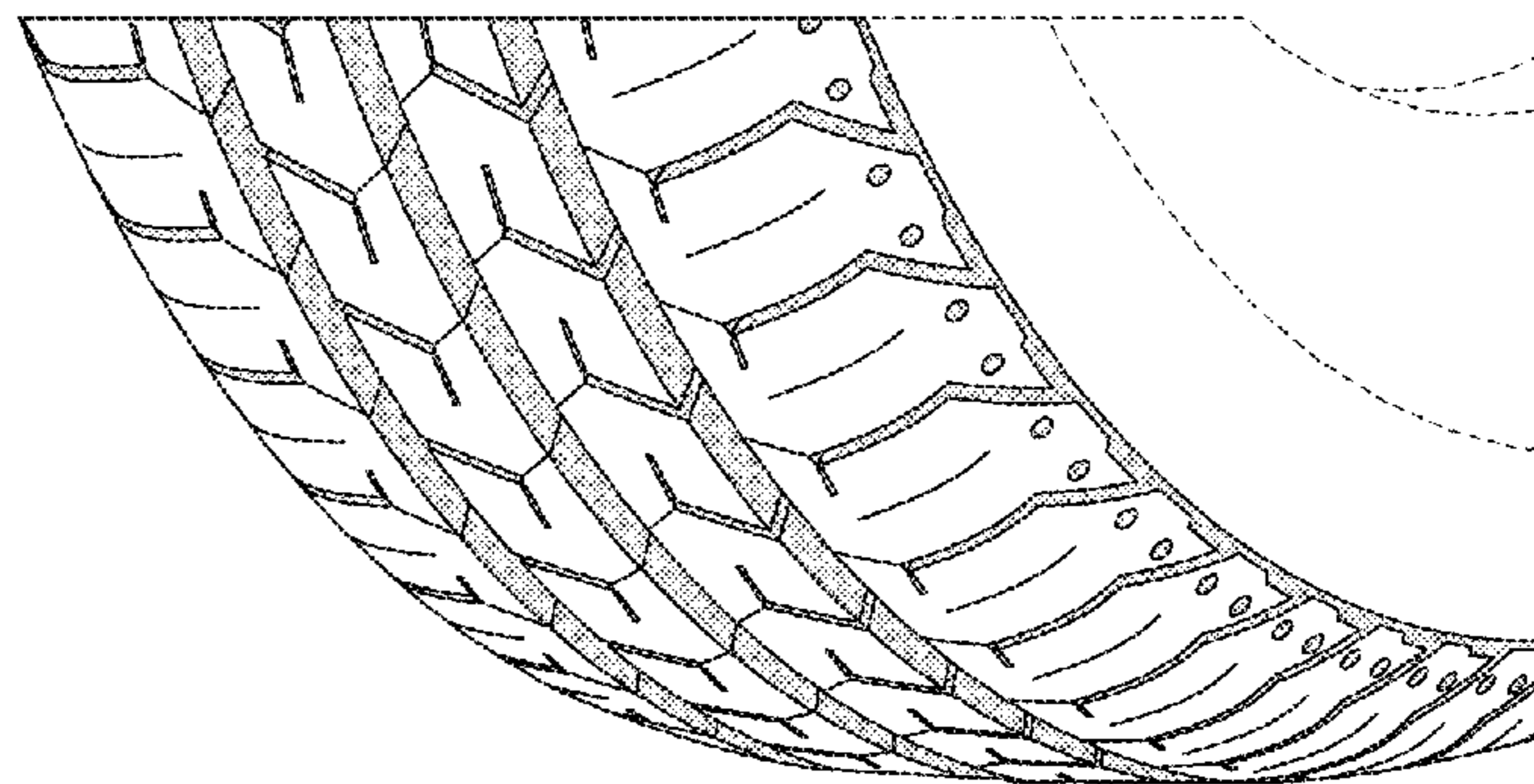
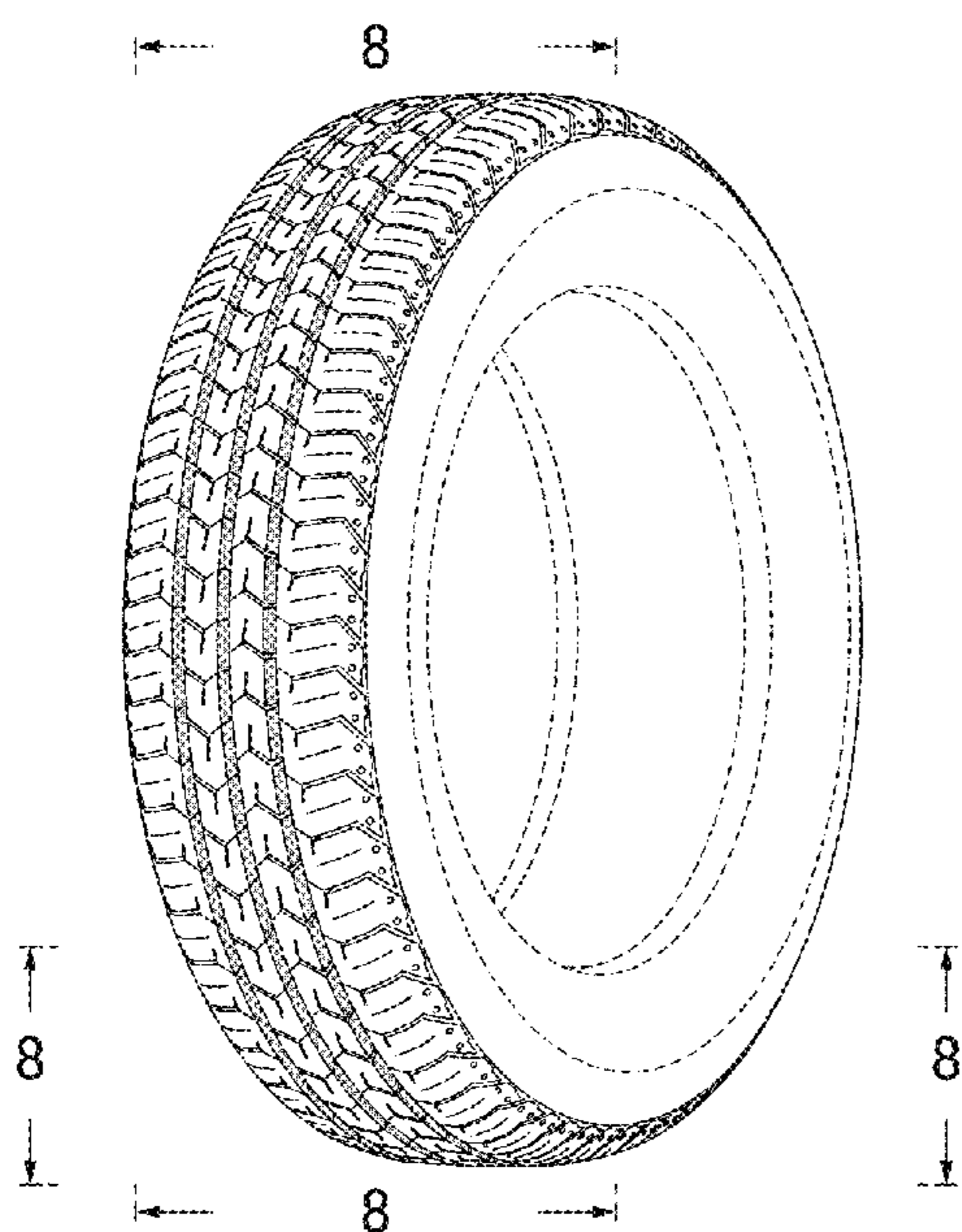
FIG. 8 is a partially enlarged view of a portion defined by lines 8-8 shown in FIG. 1;

FIG. 9 is a partially enlarged view of a portion defined by lines 9-9 shown in FIG. 2; and,

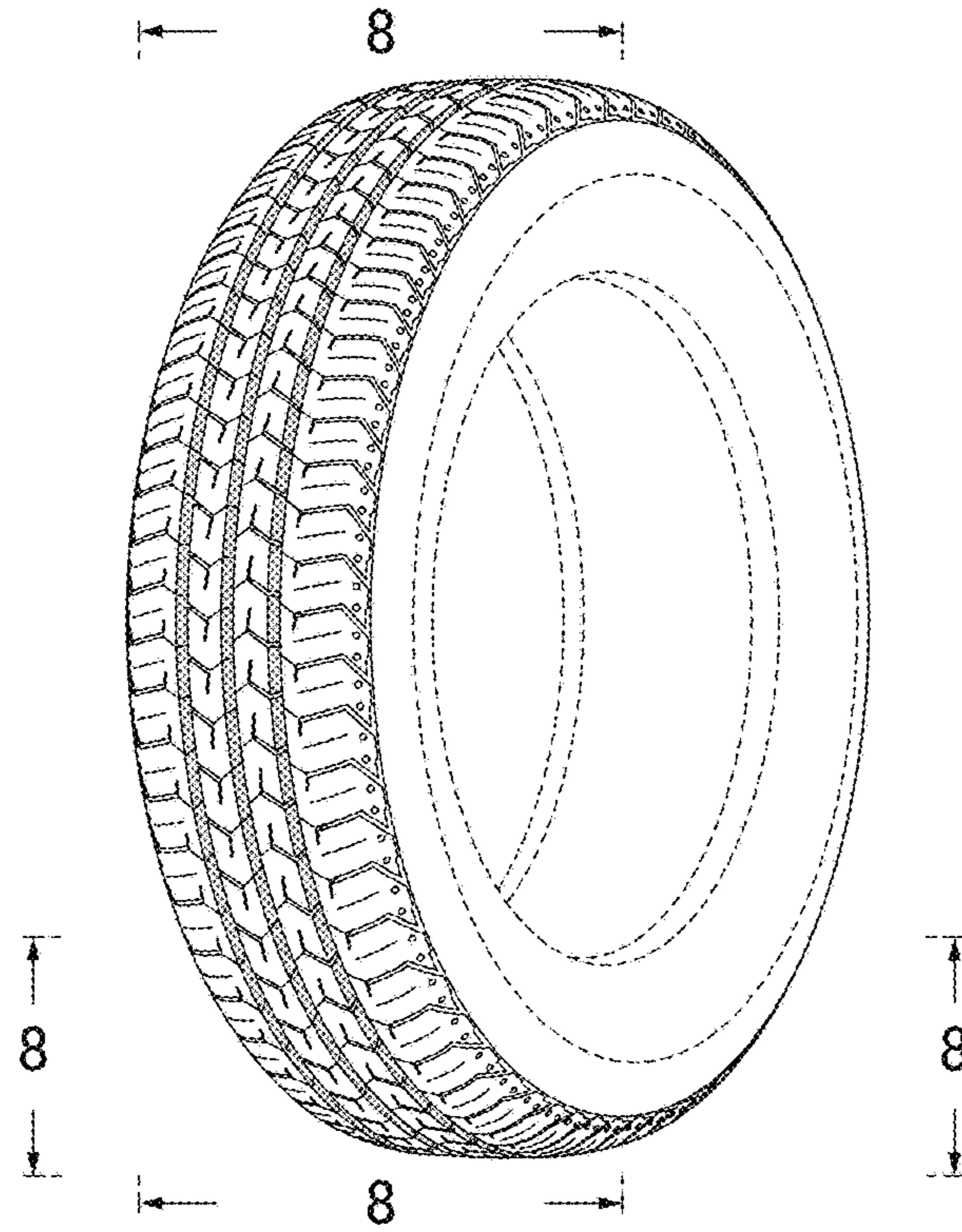
FIG. 10 is an end elevational view of a portion defined by lines 10-10 shown in FIG. 9.

In the drawings, the broken lines depict environmental subject matter only and form no part of the claimed design.

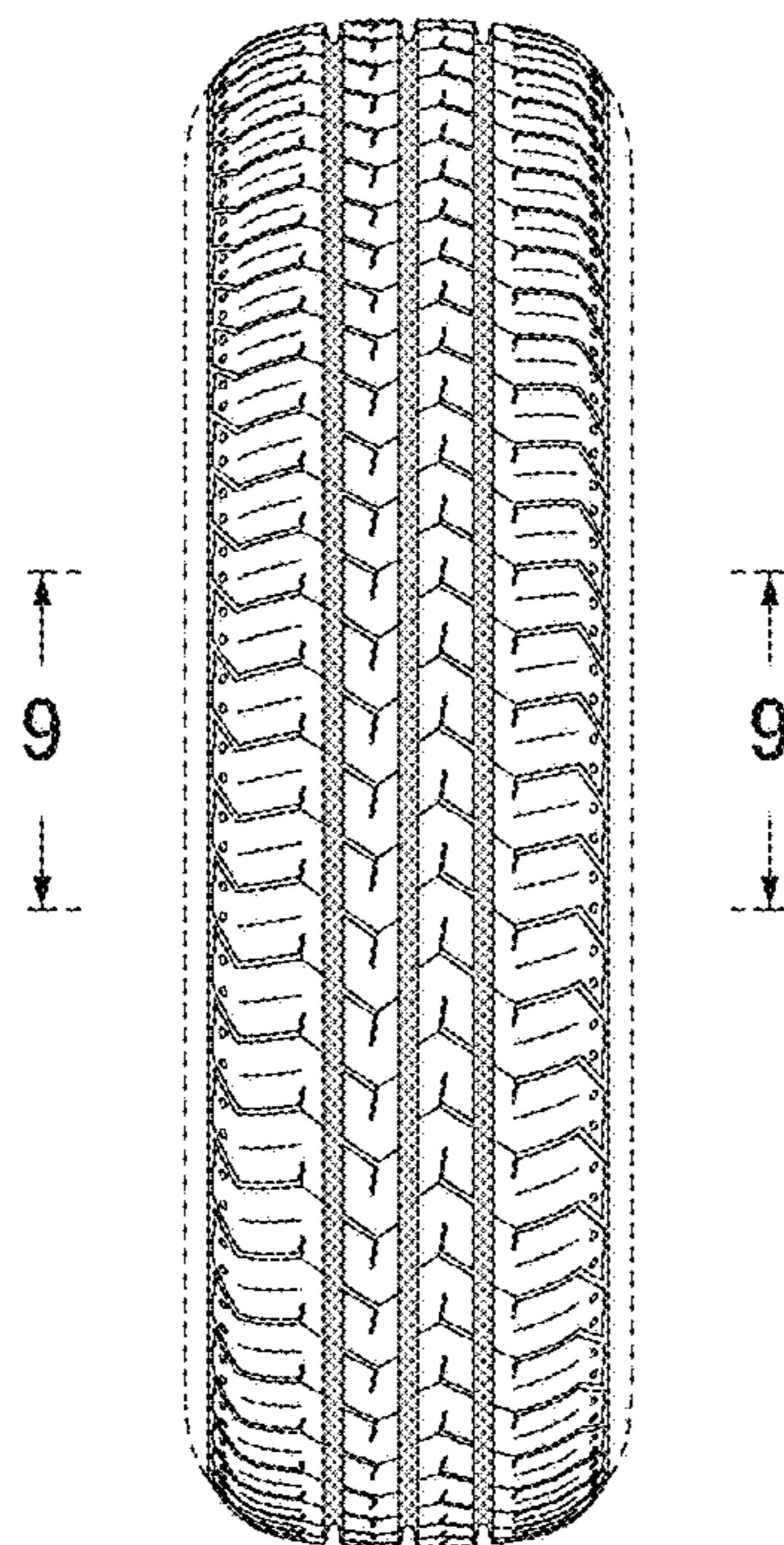
**1 Claim, 5 Drawing Sheets**



**FIG. 1**

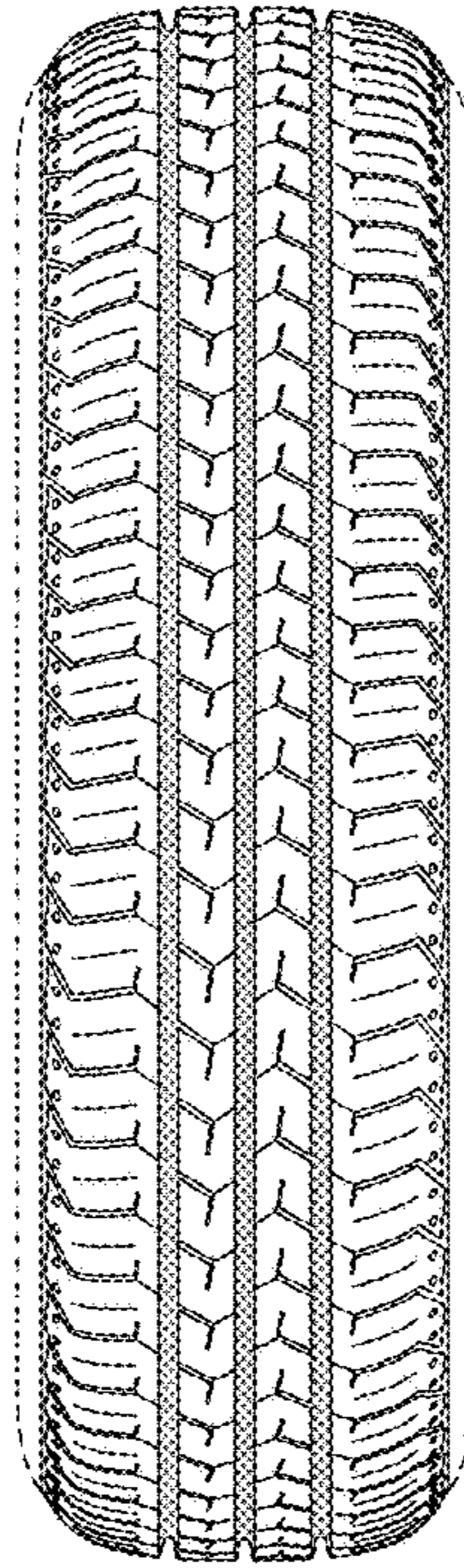


**FIG. 2**

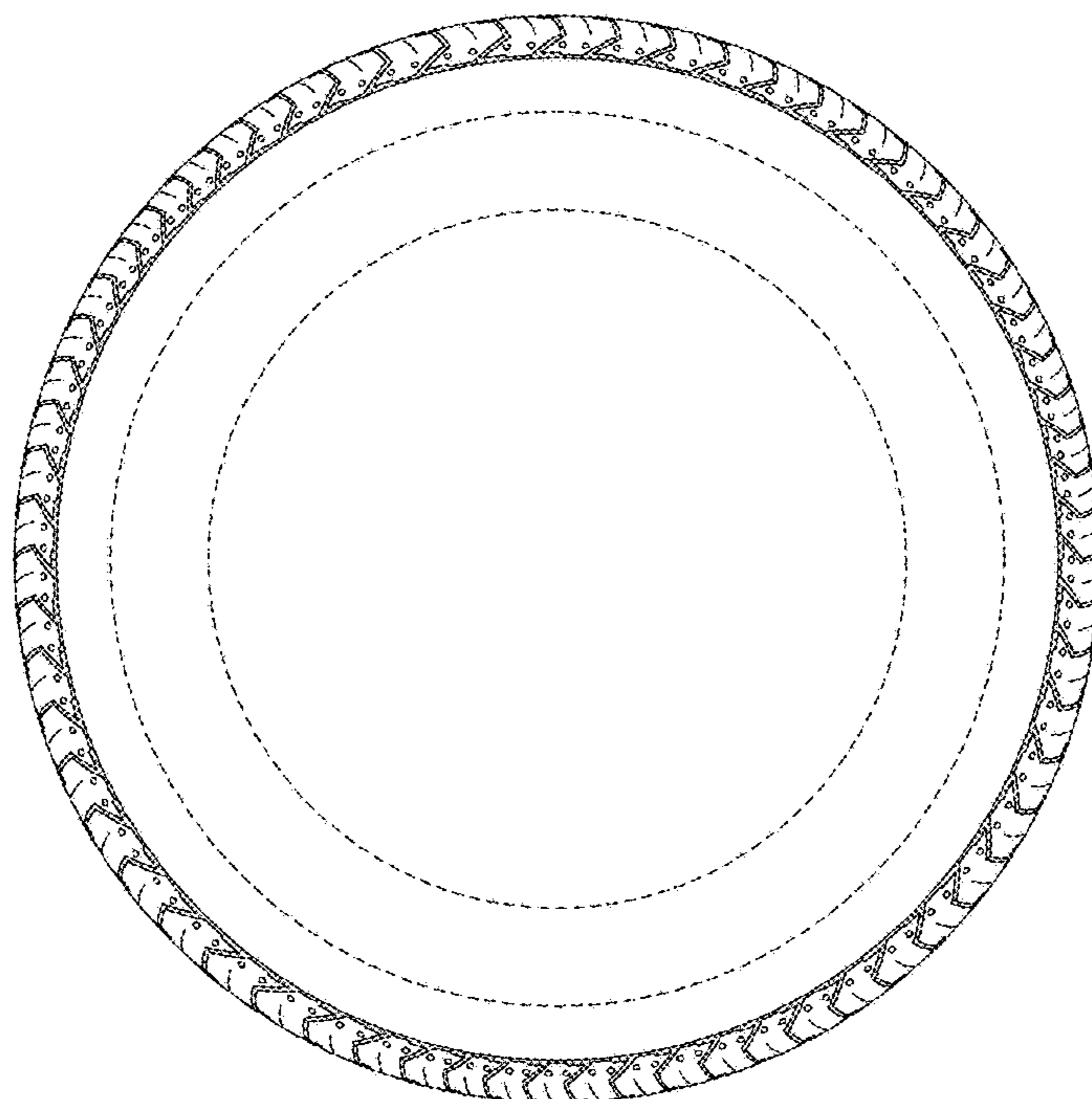




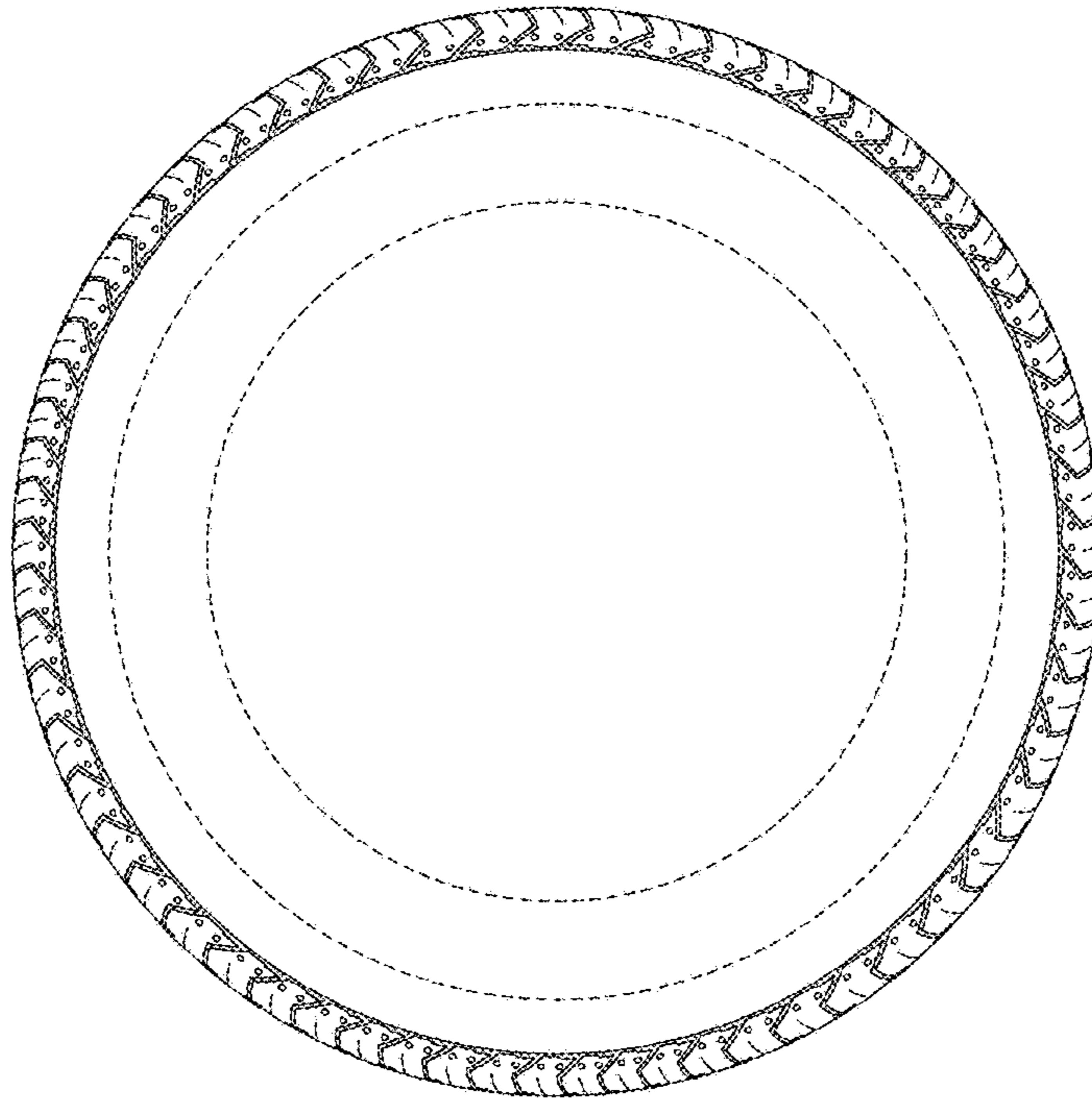
**FIG. 3**



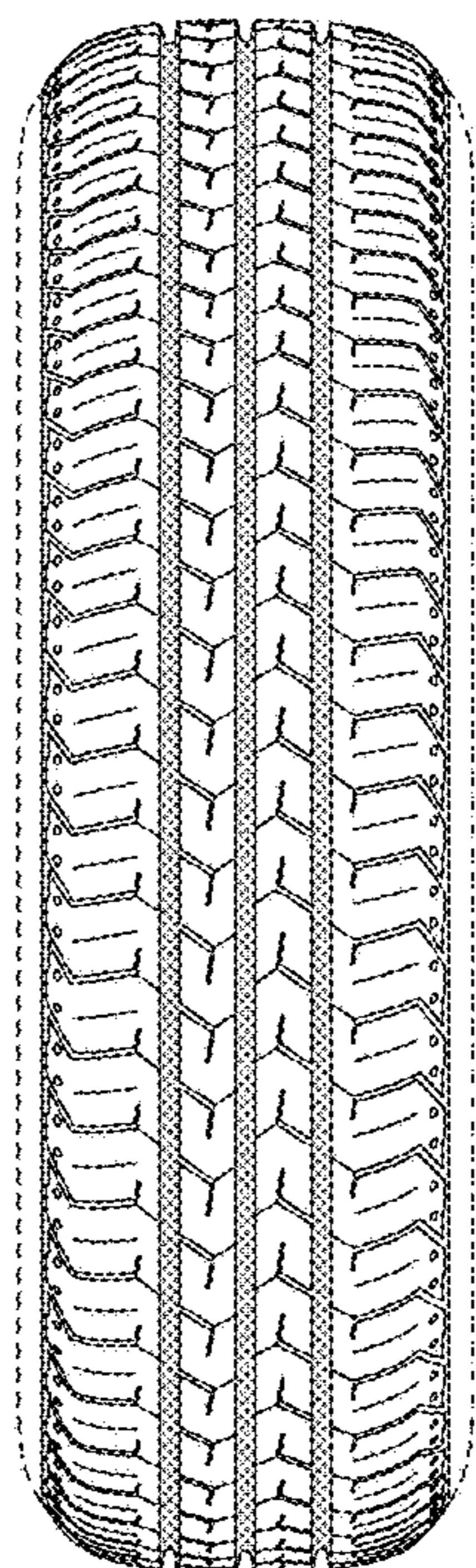
**FIG. 4**



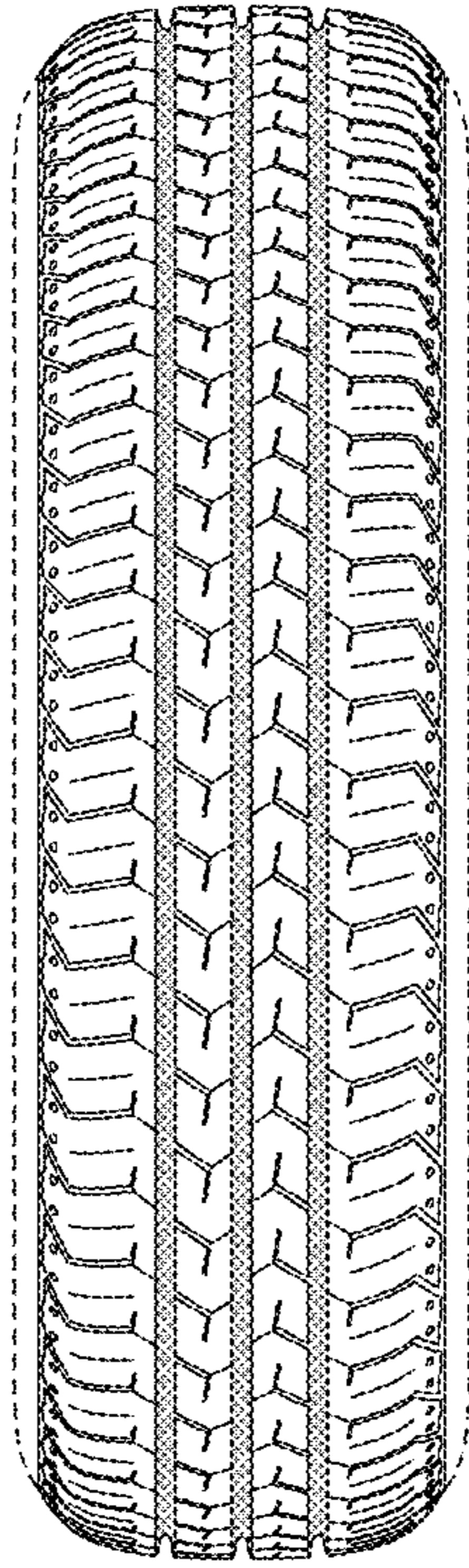
**FIG. 5**



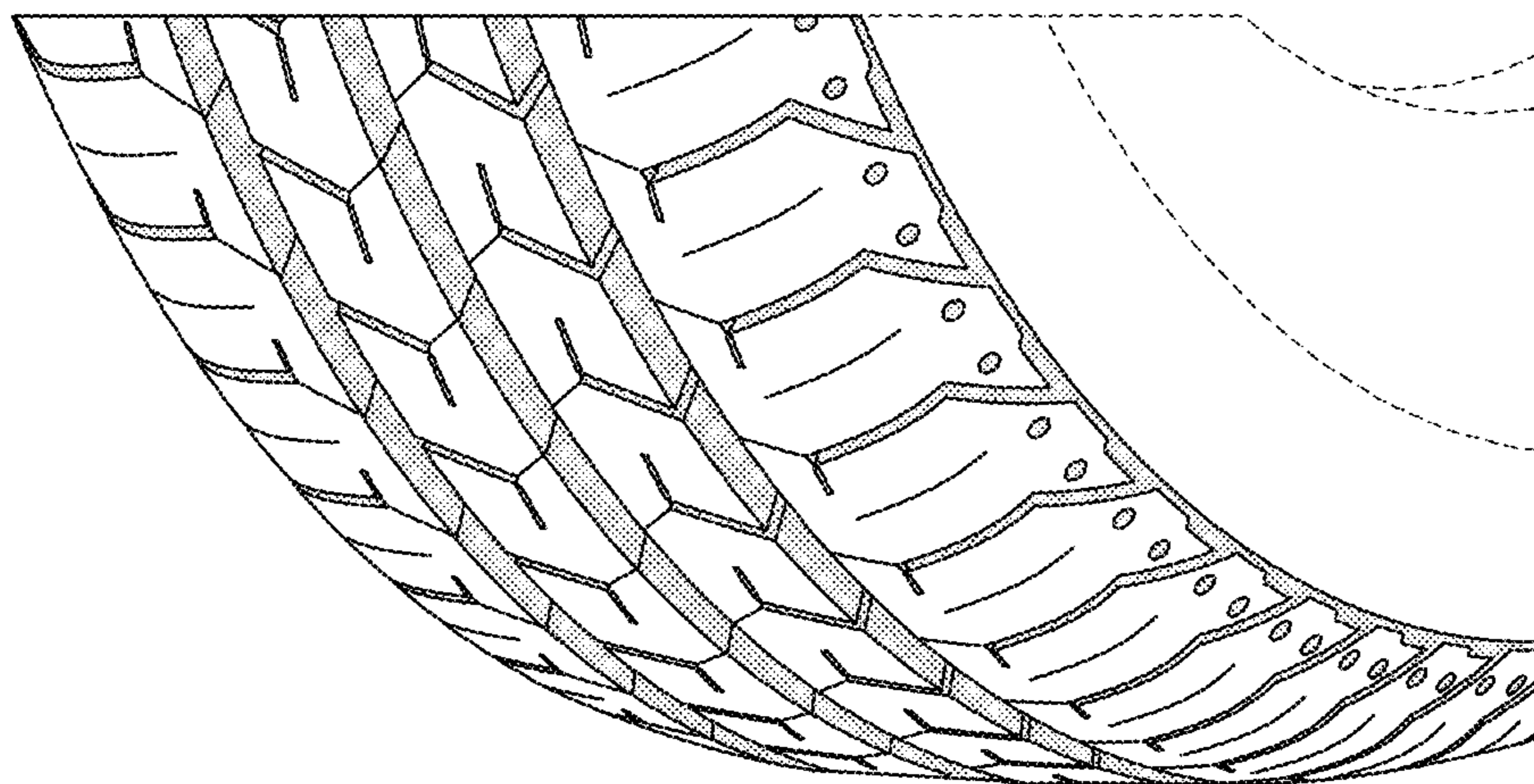
**FIG. 6**



**FIG. 7**

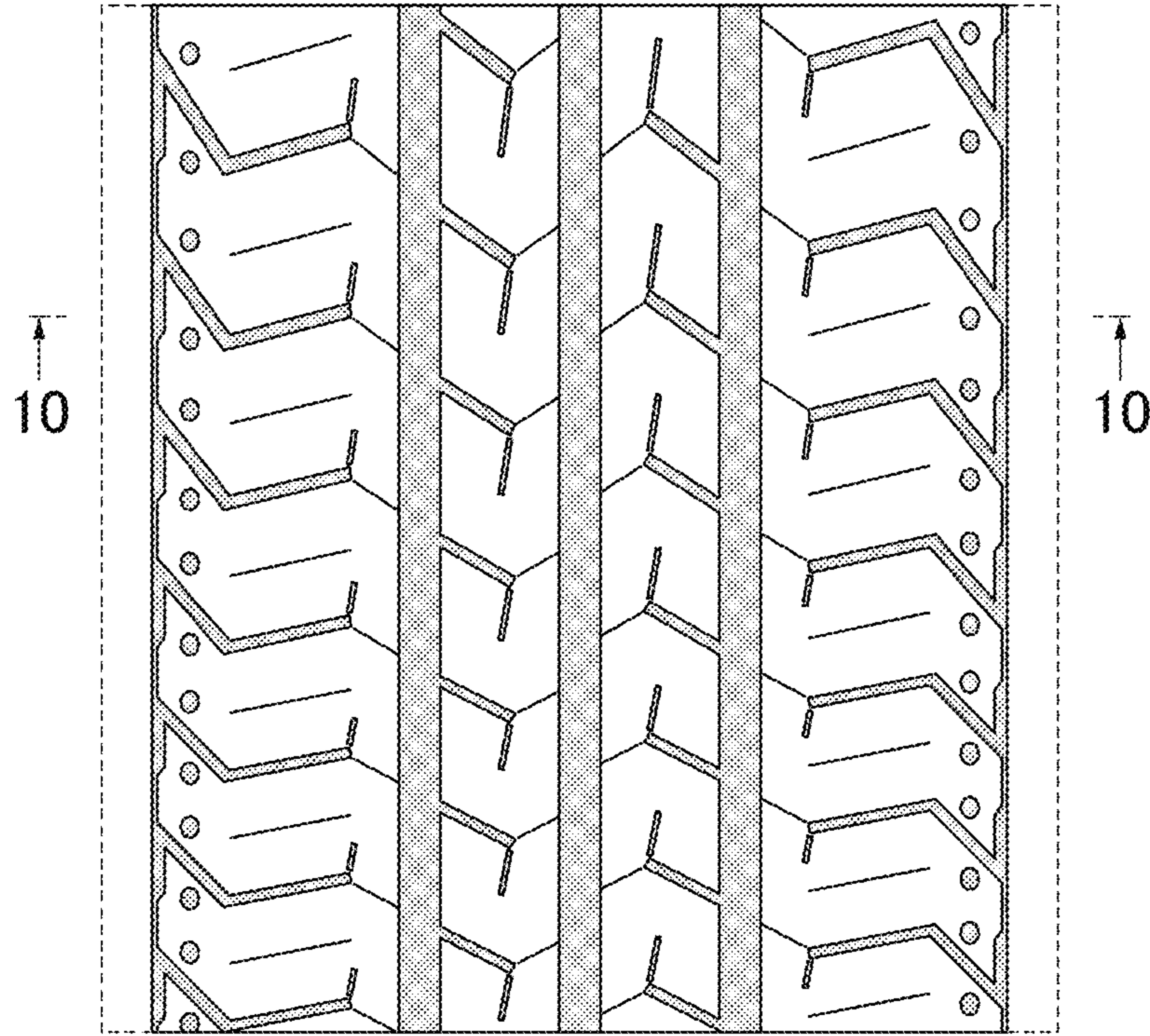


**FIG. 8**





**FIG. 9**



**FIG. 10**

