



US00D789279S

(12) **United States Design Patent**  
**Hayashi**

(10) **Patent No.:** **US D789,279 S**  
(45) **Date of Patent:** **\*\* Jun. 13, 2017**

(54) **TIRE TREAD**

(71) Applicant: **BRIDGESTONE CORPORATION**,  
Tokyo (JP)

(72) Inventor: **Shintaro Hayashi**, Tokyo (JP)

(73) Assignee: **BRIDGESTONE CORPORATION**,  
Chuo-ku, Tokyo (JP)

(\*\*) Term: **15 Years**

(21) Appl. No.: **29/566,454**

(22) Filed: **May 31, 2016**

(30) **Foreign Application Priority Data**

Dec. 4, 2015 (JP) ..... 2015-027257

(51) **LOC (10) Cl.** ..... **12-15**

(52) **U.S. Cl.**  
USPC ..... **D12/523**

(58) **Field of Classification Search**

USPC ..... D12/505-532, 900  
CPC ..... B60C 1/0016; B60C 11/0306; B60C  
11/0302; B60C 3/06; B60C 9/17  
See application file for complete search history.

(56) **References Cited**

**U.S. PATENT DOCUMENTS**

D601,939 S \* 10/2009 Fontaine ..... D12/519  
D648,668 S \* 11/2011 Kujime ..... D12/519

D725,584 S \* 3/2015 Ropars ..... D12/516  
D743,872 S \* 11/2015 Huang ..... D12/519  
D753,049 S \* 4/2016 Koishikawa ..... D12/523  
D758,954 S \* 6/2016 Albouy ..... D12/518  
D772,144 S \* 11/2016 Lamb ..... D12/519

\* cited by examiner

*Primary Examiner* — Robert M Spear

*Assistant Examiner* — John Voytek

(74) *Attorney, Agent, or Firm* — Sughrue Mion, PLLC

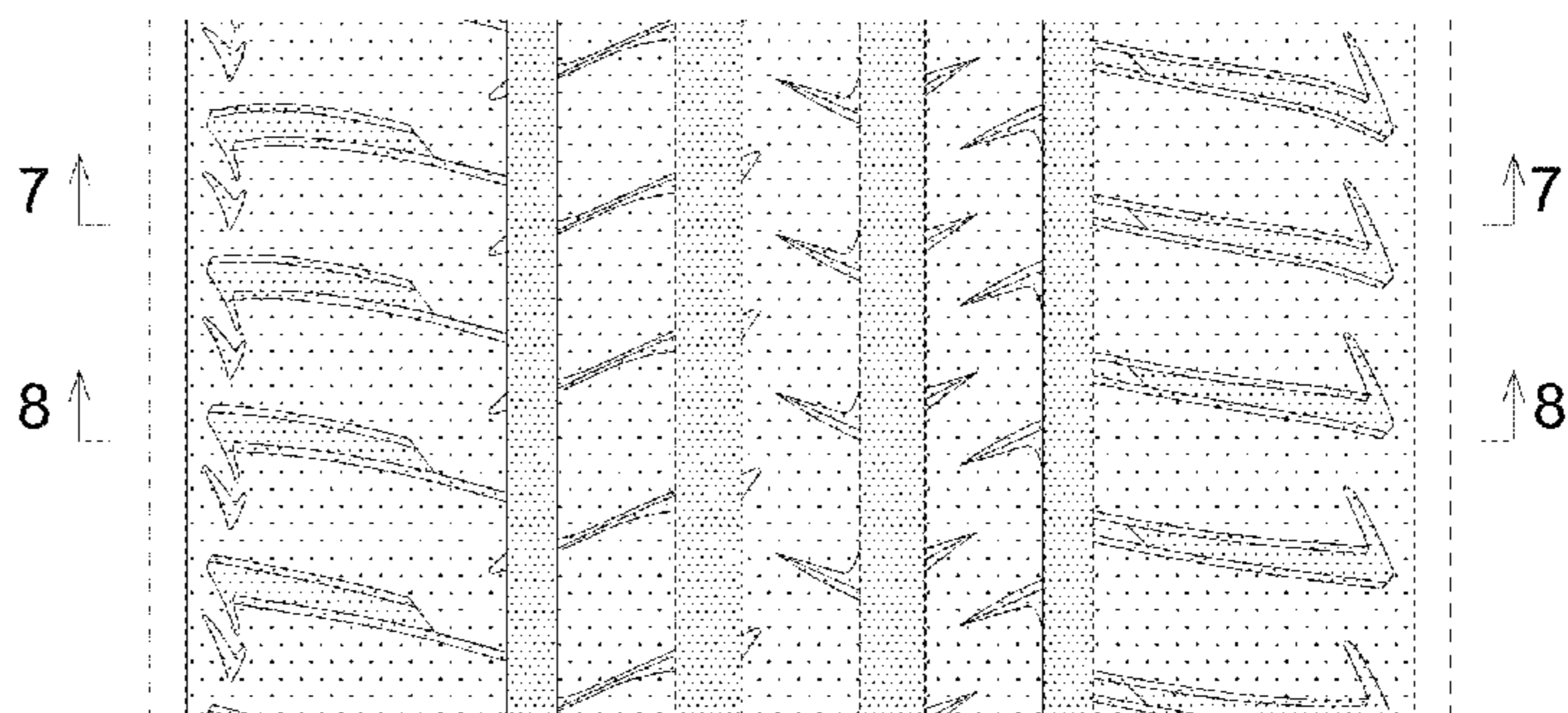
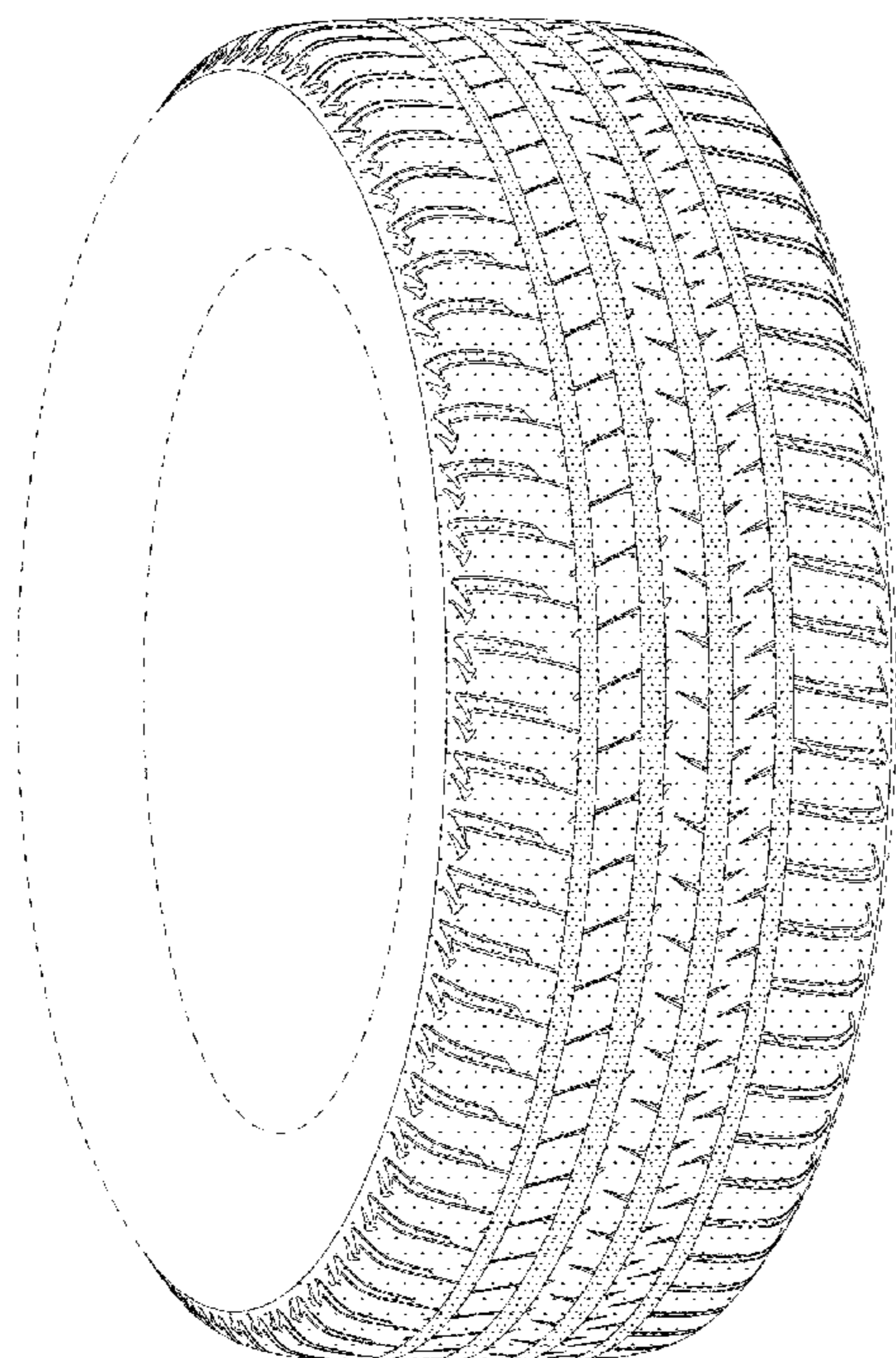
(57) **CLAIM**

The ornamental design for a tire tread, as shown and described.

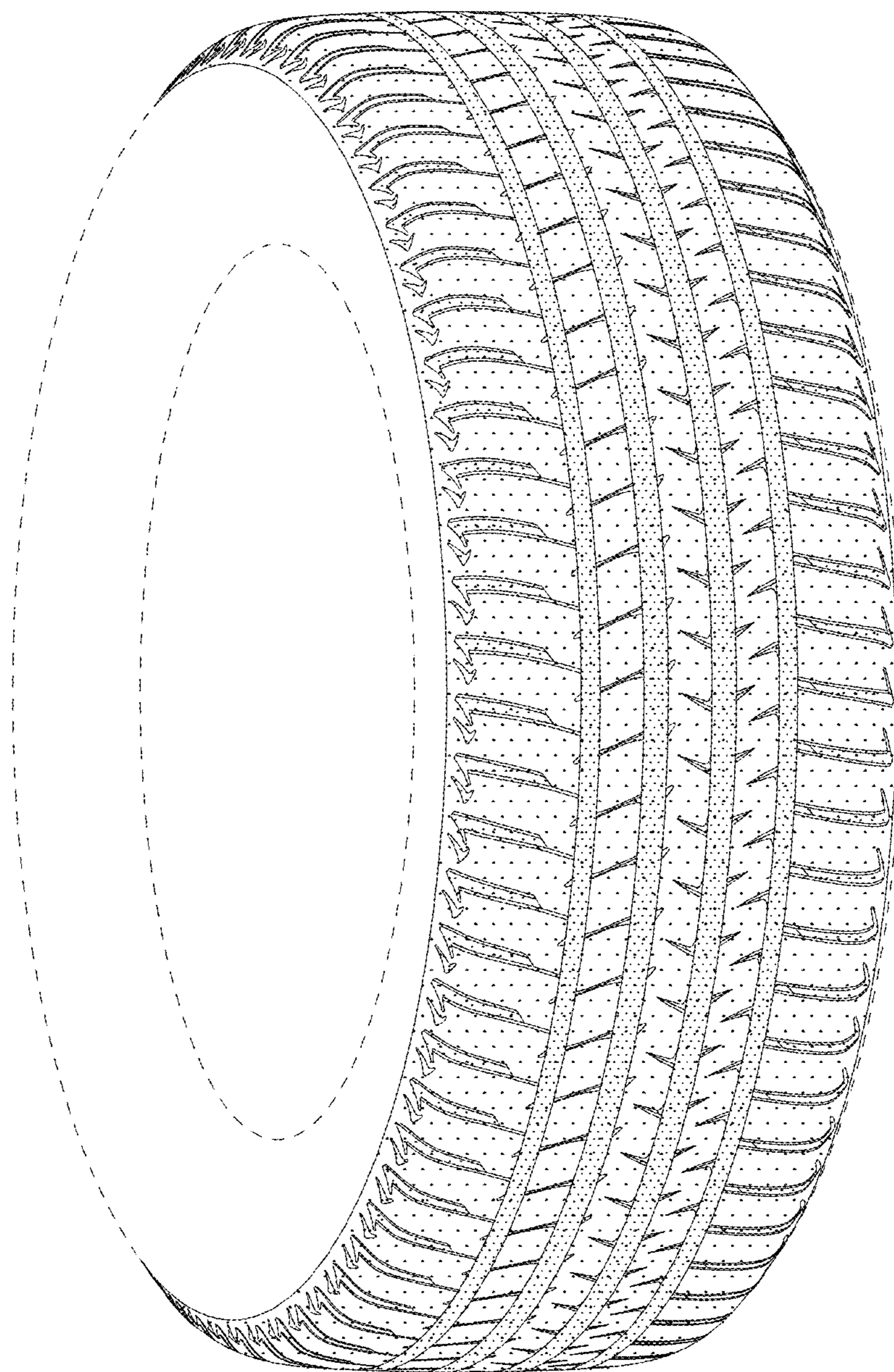
**DESCRIPTION**

FIG. 1 is a perspective view of a tire tread showing my design;  
FIG. 2 is a front view thereof;  
FIG. 3 is a top view thereof;  
FIG. 4 is a right side view thereof;  
FIG. 5 is a left side view thereof; and  
FIG. 6 is a fragmentary enlarged front view showing the details of the tread thereof.  
FIG. 7 is a section view taken along line 7-7 in FIG. 6; and,  
FIG. 8 is a section view taken along line 8-8 in FIG. 6.  
The broken lines are used to show environment that is not being claimed, and thus form no part of the claimed design.

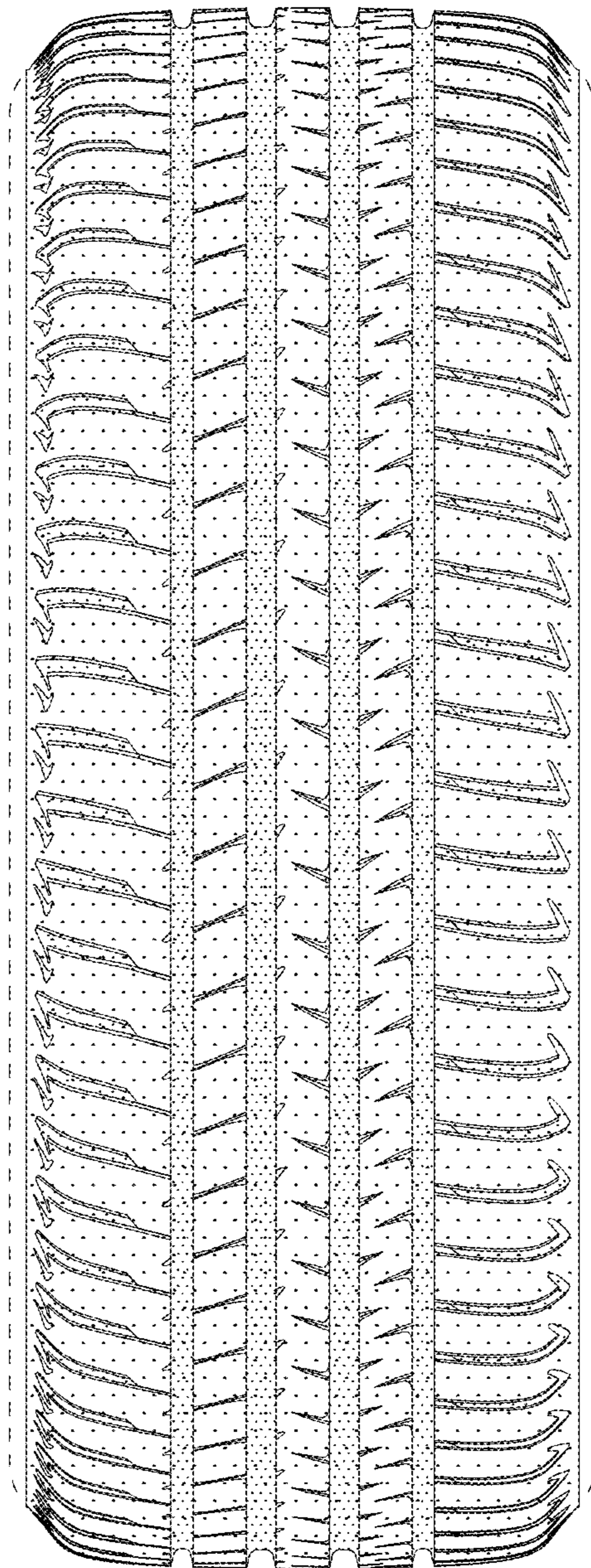
**1 Claim, 8 Drawing Sheets**



*FIG. 1*



*FIG. 2*



*FIG. 3*

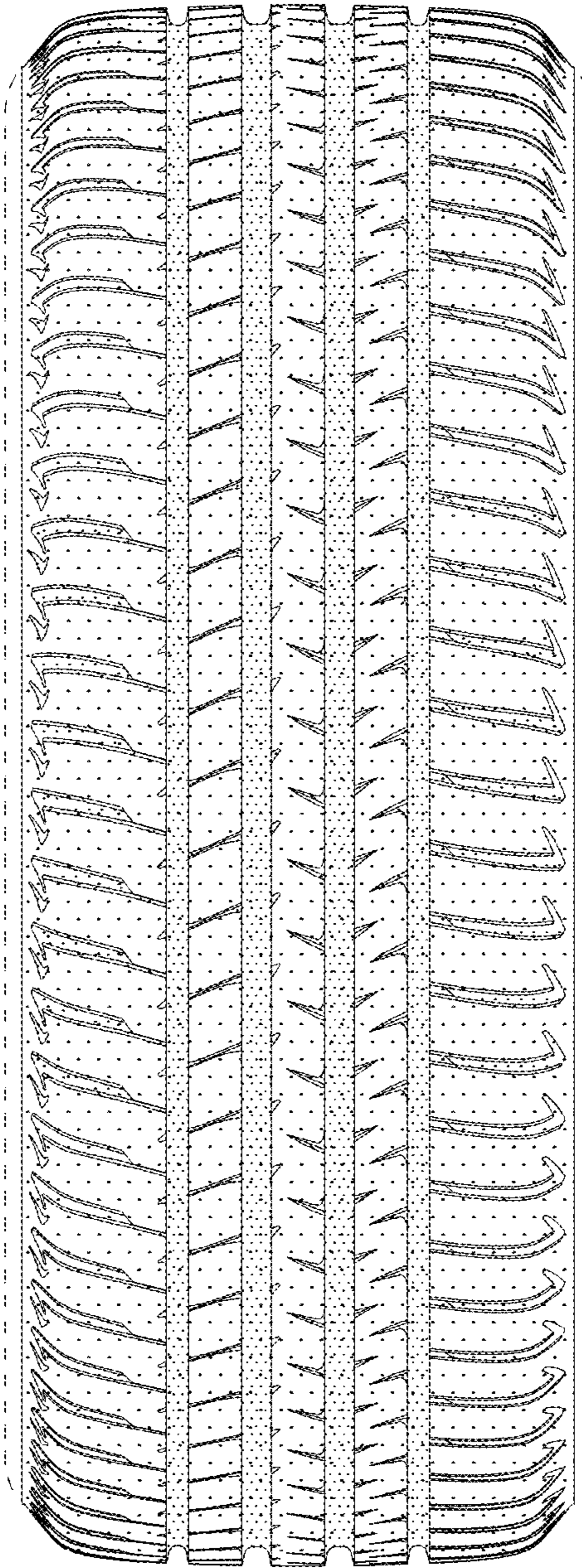
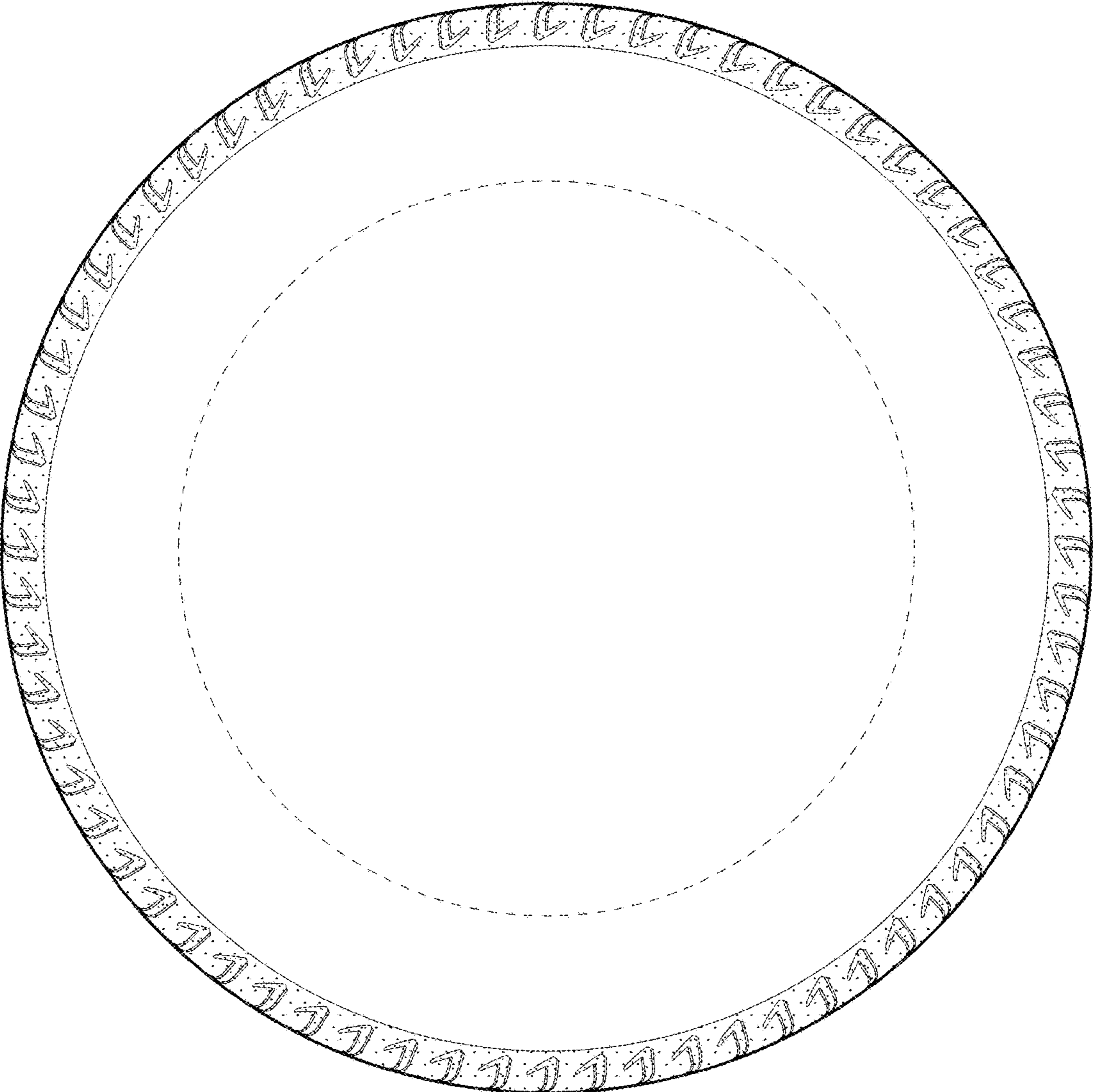
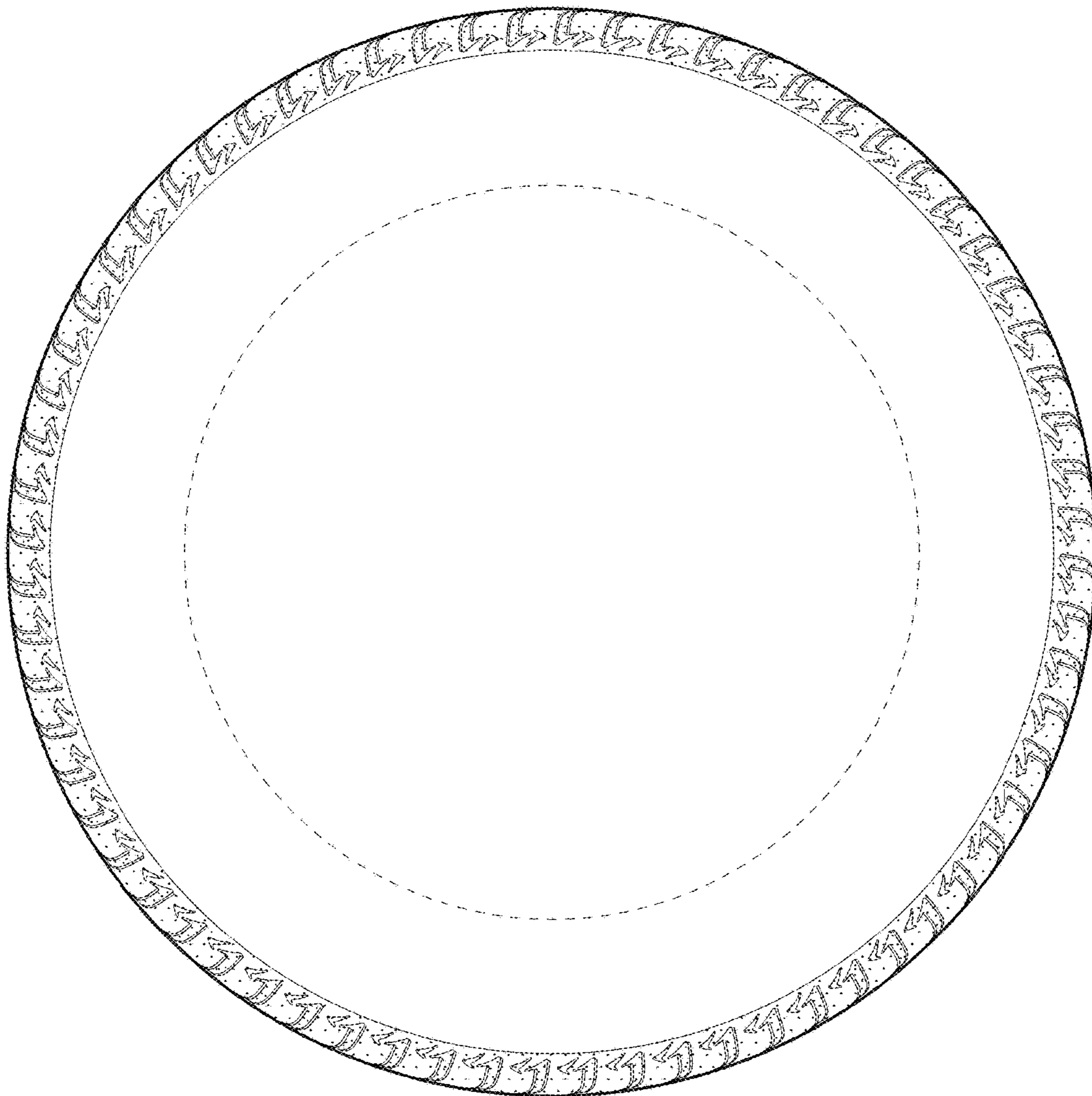


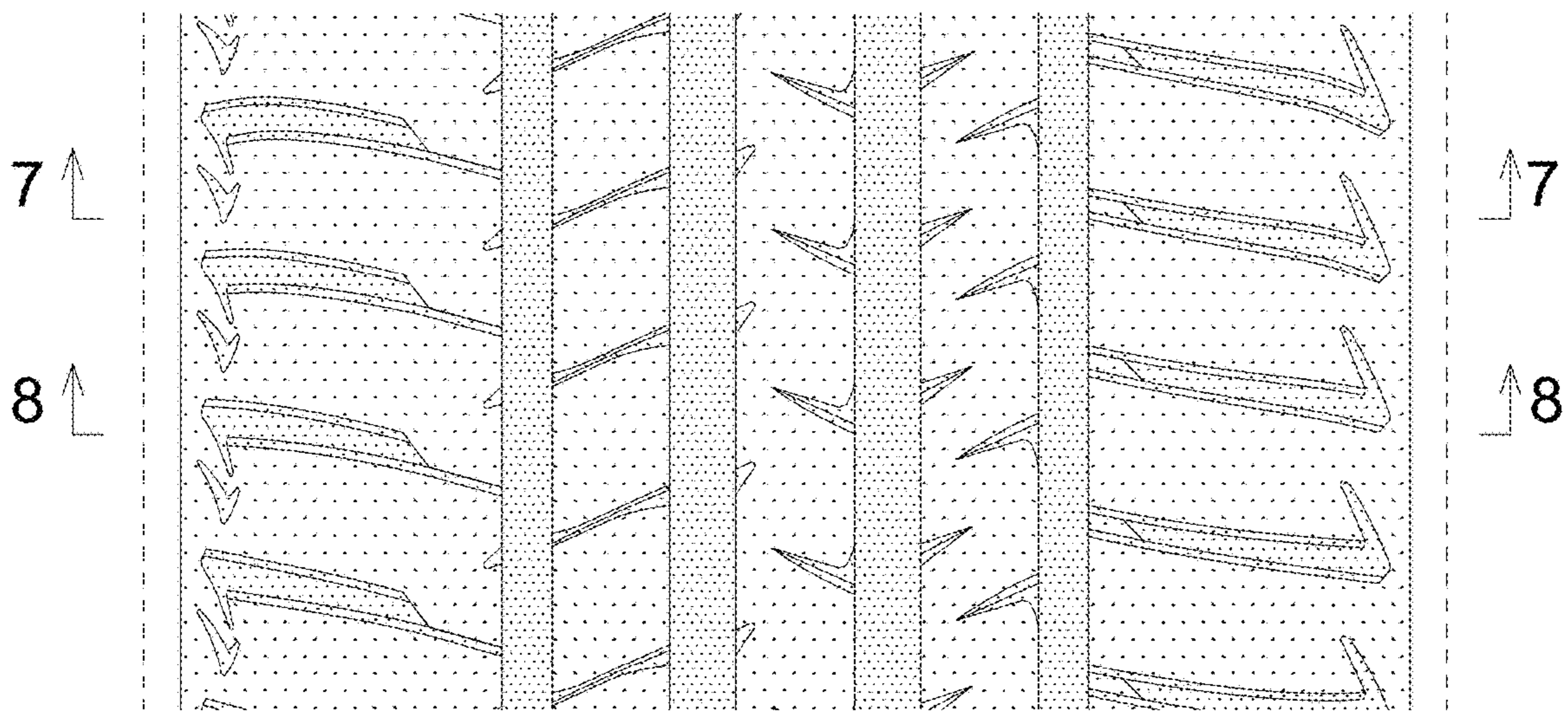
FIG. 4



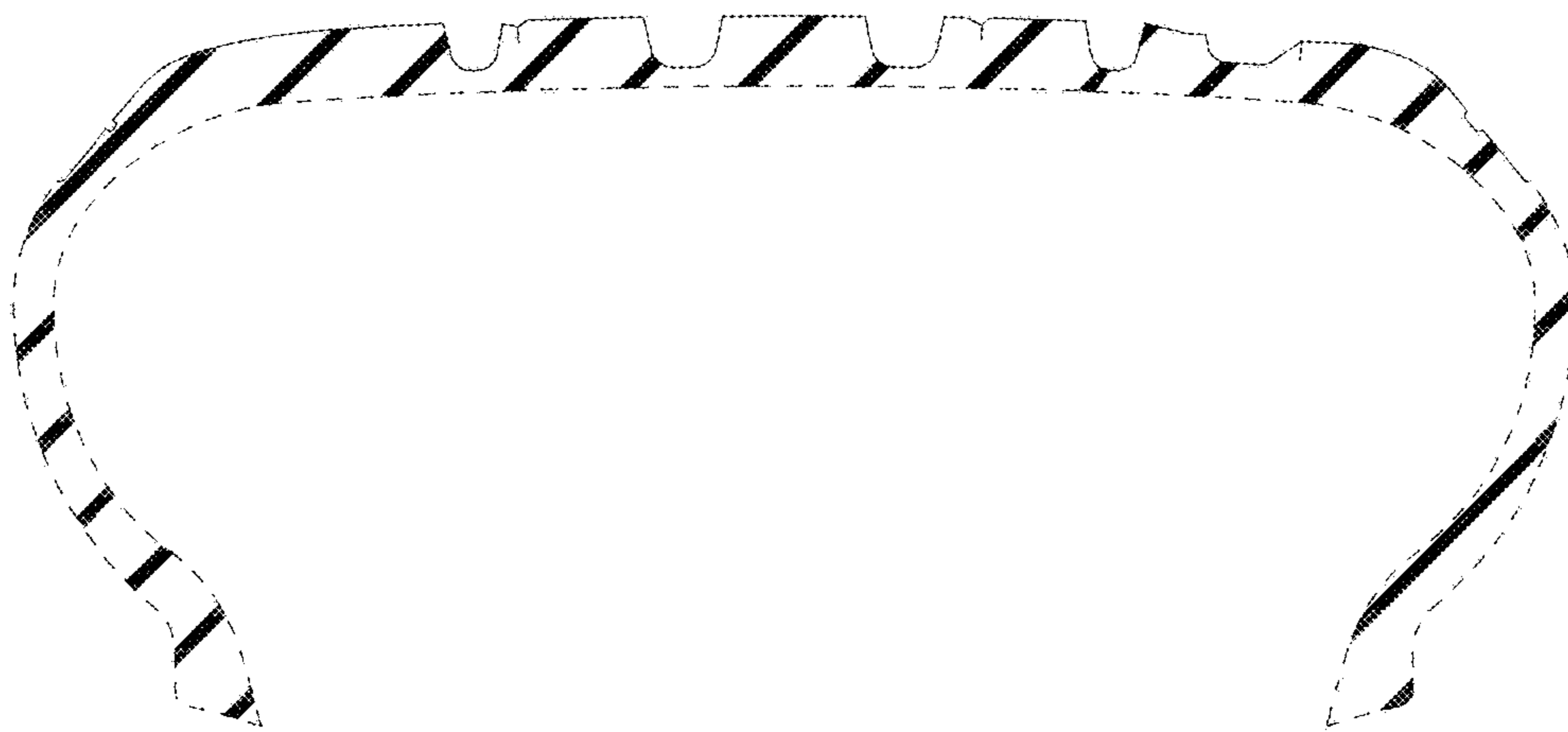
*FIG. 5*



*FIG. 6*



*FIG. 7*





*FIG. 8*

