



US00D789276S

(12) **United States Design Patent** (10) **Patent No.:** **US D789,276 S**
Adler (45) **Date of Patent:** **** Jun. 13, 2017**

(54) **CARRIER**
 (71) Applicant: **Thule Sweden AB**, Hillerstorp (SE)
 (72) Inventor: **Jan Adler**, Jönköping (SE)
 (73) Assignee: **Thule Sweden AB**, Hillerstorp (SE)
 (**) Term: **15 Years**

D717,717 S * 11/2014 Williams B60R 9/10
 D12/408
 D717,723 S * 11/2014 Laverack D12/414
 D722,289 S * 2/2015 Williams D12/408
 D727,831 S * 4/2015 Eriksson D12/407
 D731,400 S * 6/2015 Condon D12/408
 2009/0236382 A1 * 9/2009 Sautter B60R 9/10
 224/497
 2010/0078454 A1 * 4/2010 Sautter B60R 9/048
 224/315

(21) Appl. No.: **29/531,722**
 (22) Filed: **Jun. 29, 2015**
 (51) **LOC (10) Cl.** **12-16**
 (52) **U.S. Cl.**
 USPC **D12/407**
 (58) **Field of Classification Search**
 USPC D12/407, 115, 406, 408, 420, 412, 414,
 D12/414.1
 CPC .. B60R 9/06; B60R 9/10; B60R 9/045; B60R
 9/048
 See application file for complete search history.

OTHER PUBLICATIONS

Thule, "Thule Criterium 598—Thule" thule.com, <http://www.thule.com/en-us/us/products/carriers-and-racks/bike-carriers/roof-mounted-bike-carriers/thule-criterium-598-_-13898>, accessed Sep. 23, 2015.
 U.S. Appl. No. 29/498,565, filed Aug. 5, 2014; Eriksson et al.

* cited by examiner

Primary Examiner — George D. Kirschbaum
Assistant Examiner — Clese Moore, Jr.
 (74) *Attorney, Agent, or Firm* — Sterne, Kessler, Goldstein & Fox P.L.L.C.

(56) **References Cited**
U.S. PATENT DOCUMENTS

6,435,523 B1 * 8/2002 Hilk B60R 9/10
 224/426
 6,761,297 B1 * 7/2004 Pedrini B60R 9/10
 224/324
 7,481,344 B2 * 1/2009 Naslund B60R 9/048
 224/319
 D622,208 S * 8/2010 Sautter D12/408
 D623,117 S * 9/2010 Farber D12/408
 D635,086 S * 3/2011 Shen D12/408
 D669,016 S * 10/2012 Pozzi D12/408
 D672,704 S * 12/2012 Grago D12/408
 D684,917 S * 6/2013 Williams D12/408
 D693,760 S * 11/2013 Weaver D12/408
 D701,163 S * 3/2014 Kuschmeader D12/408
 D703,130 S * 4/2014 Settelmayer D12/408
 D703,605 S * 4/2014 Sautter D12/408
 D706,209 S * 6/2014 Flaherty D12/407

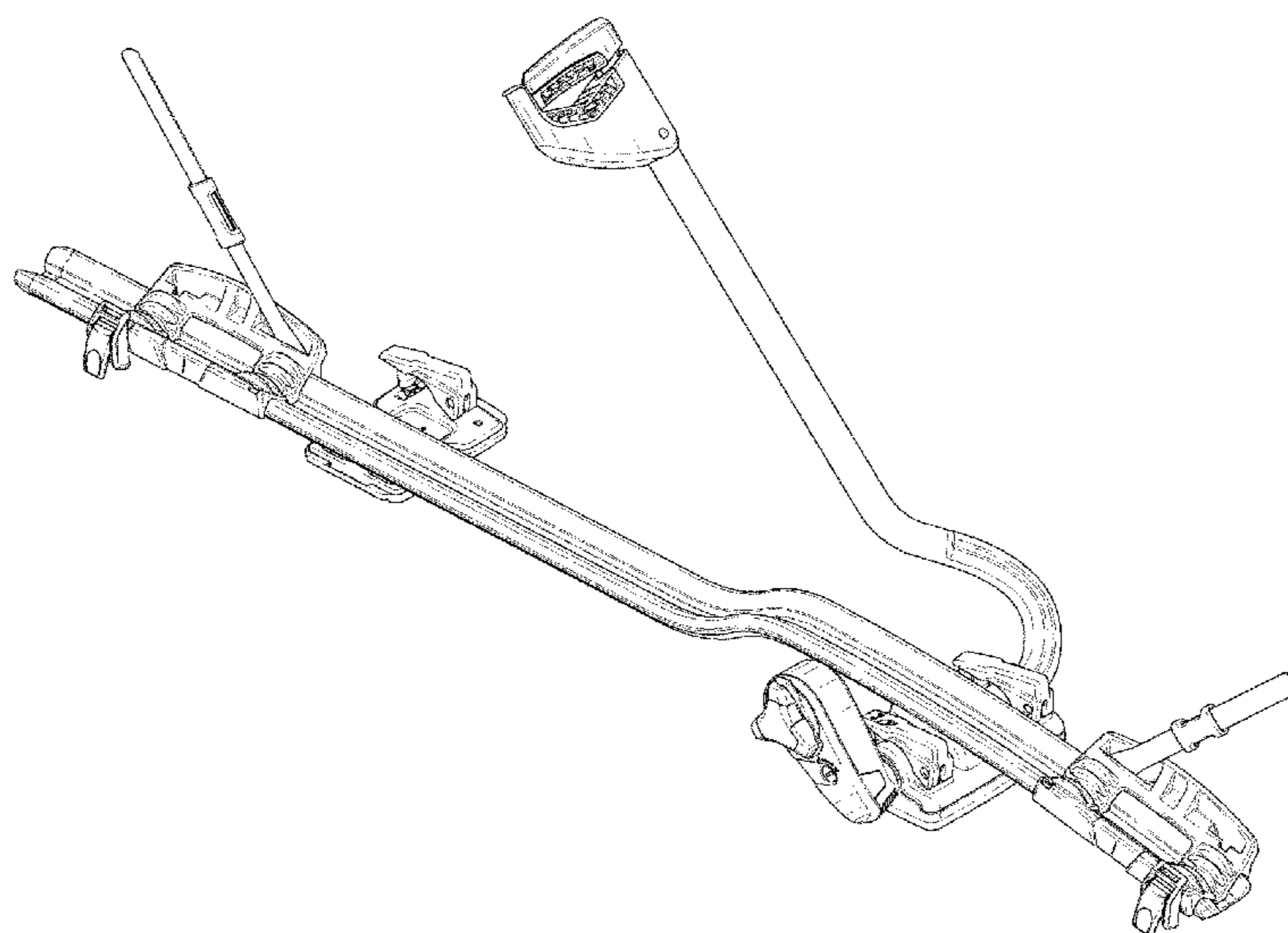
(57) **CLAIM**

The ornamental design for a carrier, as shown and described.

DESCRIPTION

FIG. 1 is a top perspective view of a carrier showing my new design;
 FIG. 2 is a left side view thereof;
 FIG. 3 is a right side view thereof;
 FIG. 4 is a front view thereof;
 FIG. 5 is a rear view thereof;
 FIG. 6 is a top view thereof; and,
 FIG. 7 is a bottom view thereof.
 The shade lines in the Figures show contour and not surface ornamentation.

1 Claim, 5 Drawing Sheets



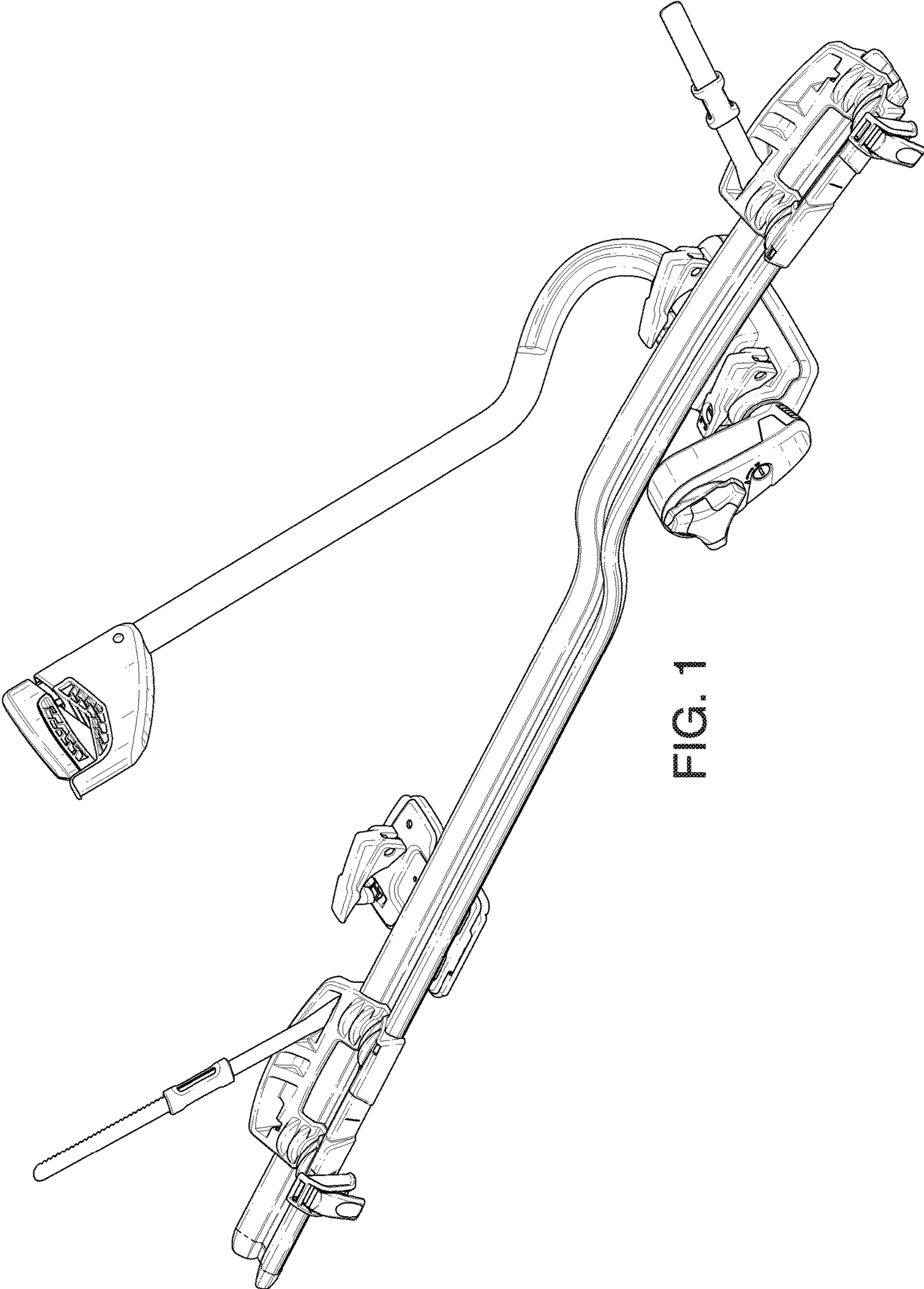


FIG. 1

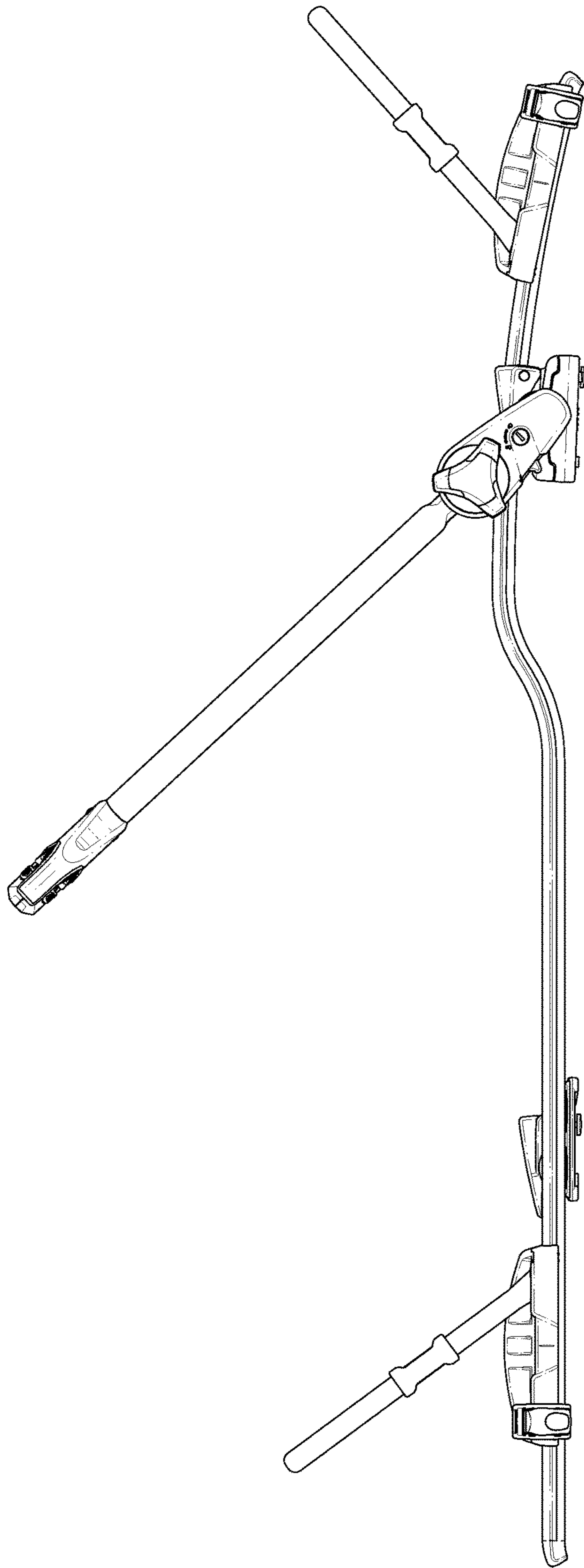


FIG. 2

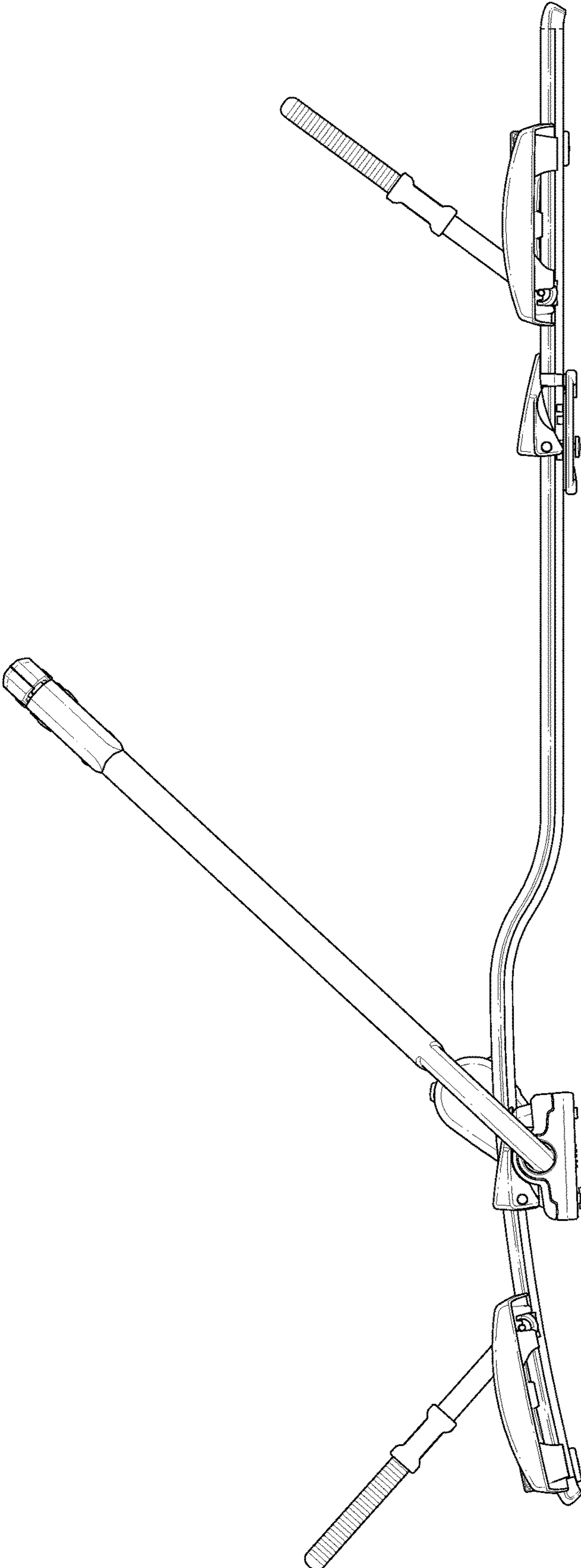


FIG. 3

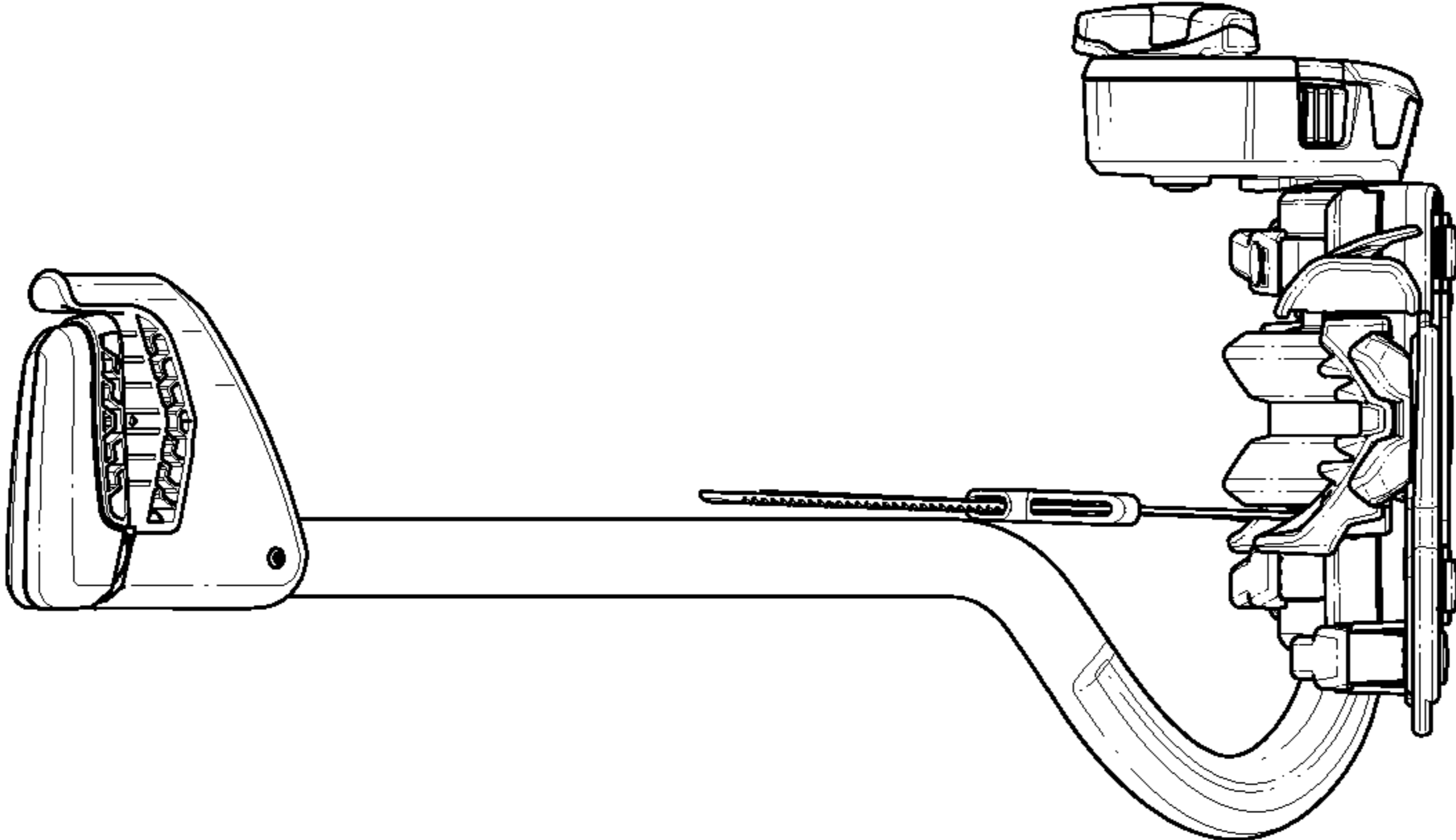


FIG. 5

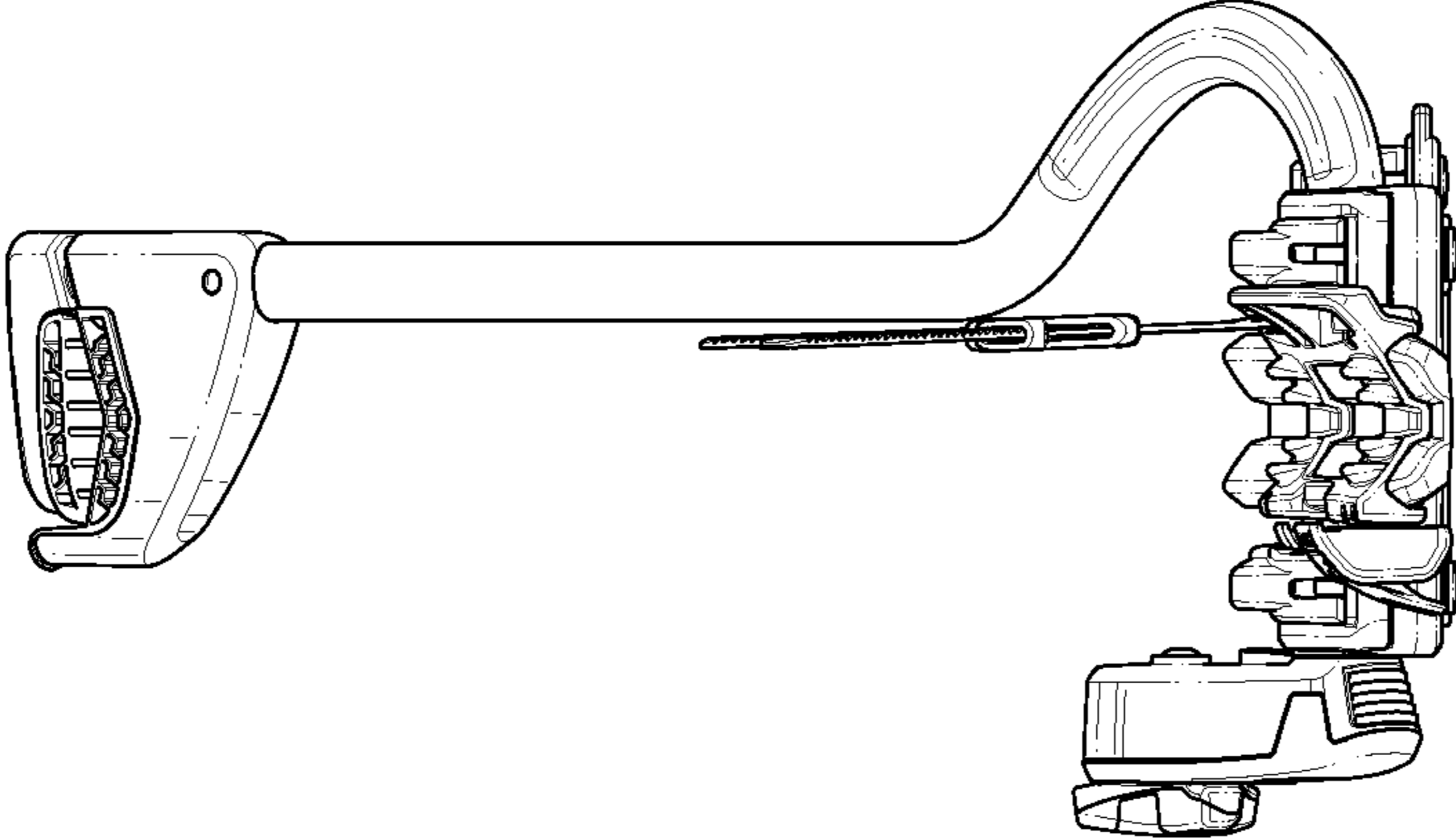


FIG. 4

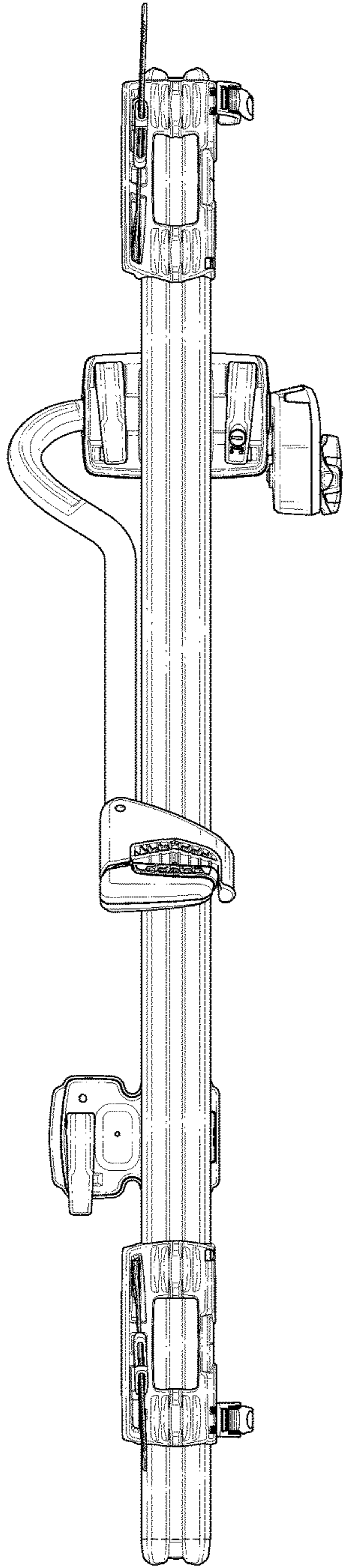


FIG. 6

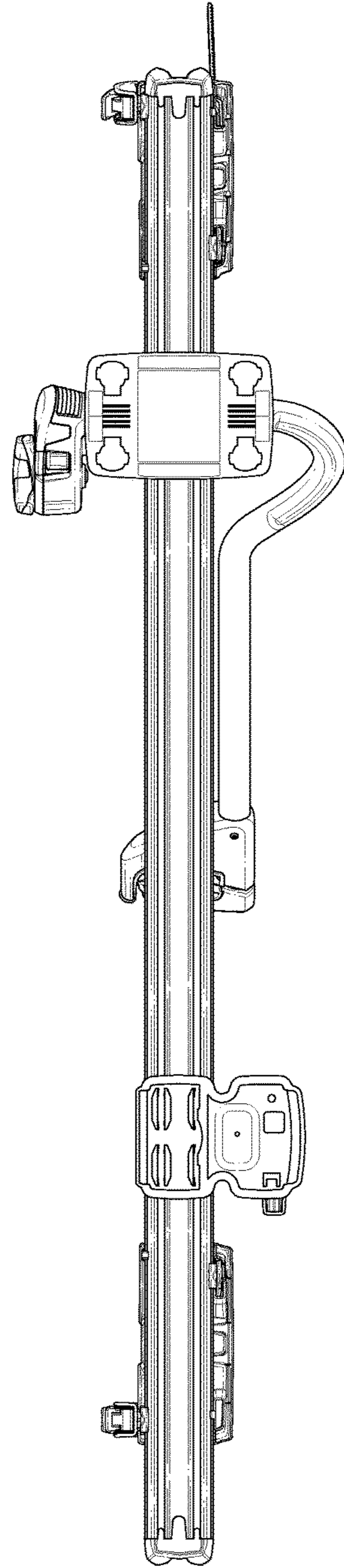


FIG. 7