



US00D789274S

(12) **United States Design Patent**
Kasparian et al.

(10) **Patent No.:** **US D789,274 S**
(45) **Date of Patent:** **** Jun. 13, 2017**

- (54) **GLARE SHIELD FOR A COCKPIT**
- (71) Applicant: **Gulfstream Aerospace Corporation**, Savannah, GA (US)
- (72) Inventors: **Aram Kasparian**, Savannah, GA (US); **Andrew Fulford**, Northville, MI (US); **John Aerni**, Savannah, GA (US)
- (73) Assignee: **Gulfstream Aerospace Corporation**, Savannah, GA (US)
- (**) Term: **14 Years**
- (21) Appl. No.: **29/506,138**
- (22) Filed: **Oct. 13, 2014**
- (51) **LOC (10) Cl.** **12-07**
- (52) **U.S. Cl.**
USPC **D12/345**
- (58) **Field of Classification Search**
USPC D6/336, 384, 653, 654, 665, 657, 663, D6/672, 573, 716.2; D7/602, 603, 614; D12/319, 323, 325, 336, 345, 192, 423, D12/415, 416, 179, 180, 182, 419, 421; D21/436, 447, 448, 449, 453; D13/184
CPC . B64C 13/04; B64D 11/0007; B64D 11/0015; B64D 11/003; B64D 11/04; B64D 2011/0046; B64D 11/0629; B64B 1/10; A47C 7/54
See application file for complete search history.

6,179,452 B1 * 1/2001 Dunning B60Q 3/0256
362/223
D480,341 S * 10/2003 Day D12/192
D515,488 S * 2/2006 Seidel D12/192
D516,482 S * 3/2006 Pfeiffer D12/192
D519,895 S * 5/2006 Akimaru D12/192
D549,143 S * 8/2007 Lepage D12/192
7,307,549 B2 * 12/2007 Firra B64D 43/00
340/971
7,321,318 B2 * 1/2008 Crane G01C 23/005
340/971
D593,012 S * 5/2009 Day D12/192
7,647,139 B2 * 1/2010 Sandell G08G 5/0082
701/120
D626,479 S * 11/2010 Mizuno D12/192
8,453,969 B2 * 6/2013 Werjefelt B64D 25/00
244/118.5
8,947,268 B2 * 2/2015 Barbieri B64D 43/00
248/27.1

(Continued)

Primary Examiner — Robert M Spear
Assistant Examiner — Marissa J Cash
(74) *Attorney, Agent, or Firm* — LKGlobal | Lorenz & Kopf, LLP

(57) **CLAIM**

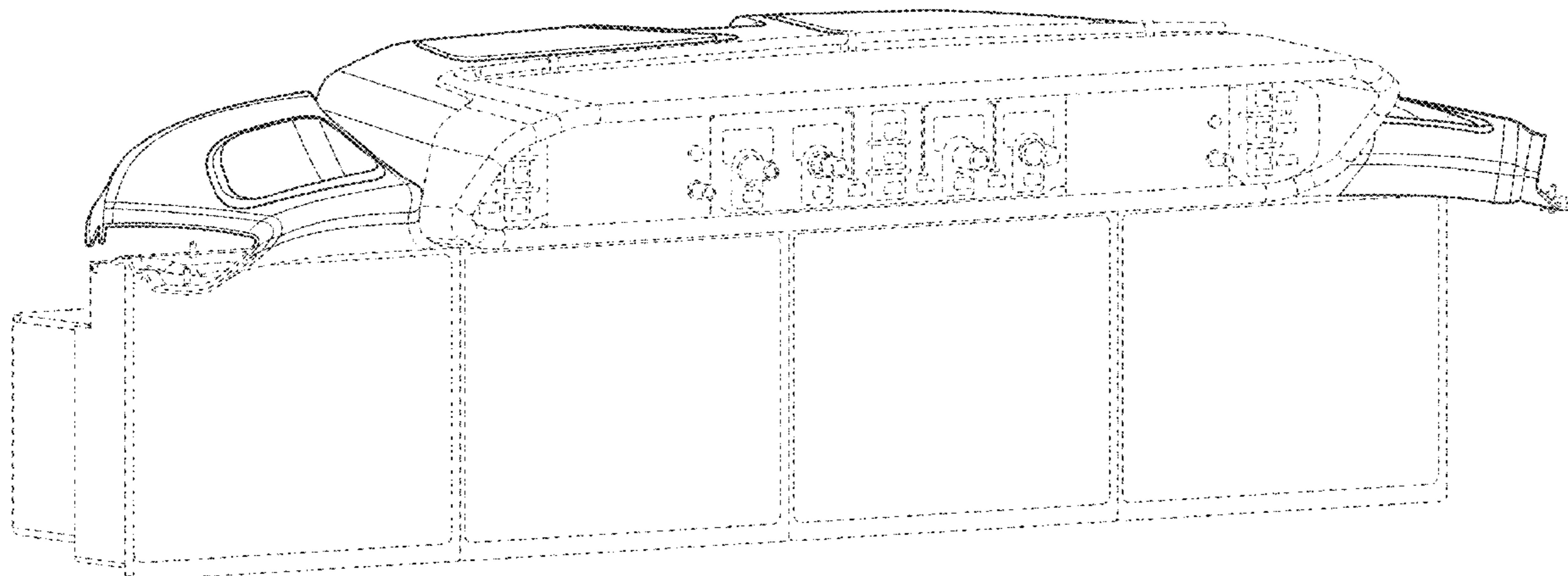
The ornamental design for a glare shield for a cockpit, as shown and described.

DESCRIPTION

FIG. 1 is a front perspective view of a glare shield for a cockpit showing our new design;
FIG. 2 is a back view thereof;
FIG. 3 is a first side view thereof;
FIG. 4 is a second side view thereof; and,
FIG. 5 is a top view thereof, the bottom view forming no part of the claimed design.
The broken lines illustrate structure and environment that form no part of the claimed design.

1 Claim, 4 Drawing Sheets

- (56) **References Cited**
U.S. PATENT DOCUMENTS
1,296,182 A * 3/1919 Hammond B60K 37/02
116/266
D53,630 S * 7/1919 Goodwin D12/192
D202,262 S * 9/1965 Nell D12/192
D284,751 S * 7/1986 Soederberg D12/192
H139 H * 10/1986 Task B64C 1/1476
244/121
D424,002 S * 5/2000 Leschke D12/192



(56)

References Cited

U.S. PATENT DOCUMENTS

9,126,677	B1 *	9/2015	Curtis	B64C 19/00
D746,615	S *	1/2016	Teeters, II	D12/192
D750,009	S *	2/2016	Kasparian	D12/345
D761,709	S *	7/2016	Shimizu	D12/192
D762,152	S *	7/2016	Inagaki	D12/192
D762,154	S *	7/2016	Kanki	D12/192
2003/0127557	A1 *	7/2003	Anderson	G01C 23/00 244/1 R

* cited by examiner

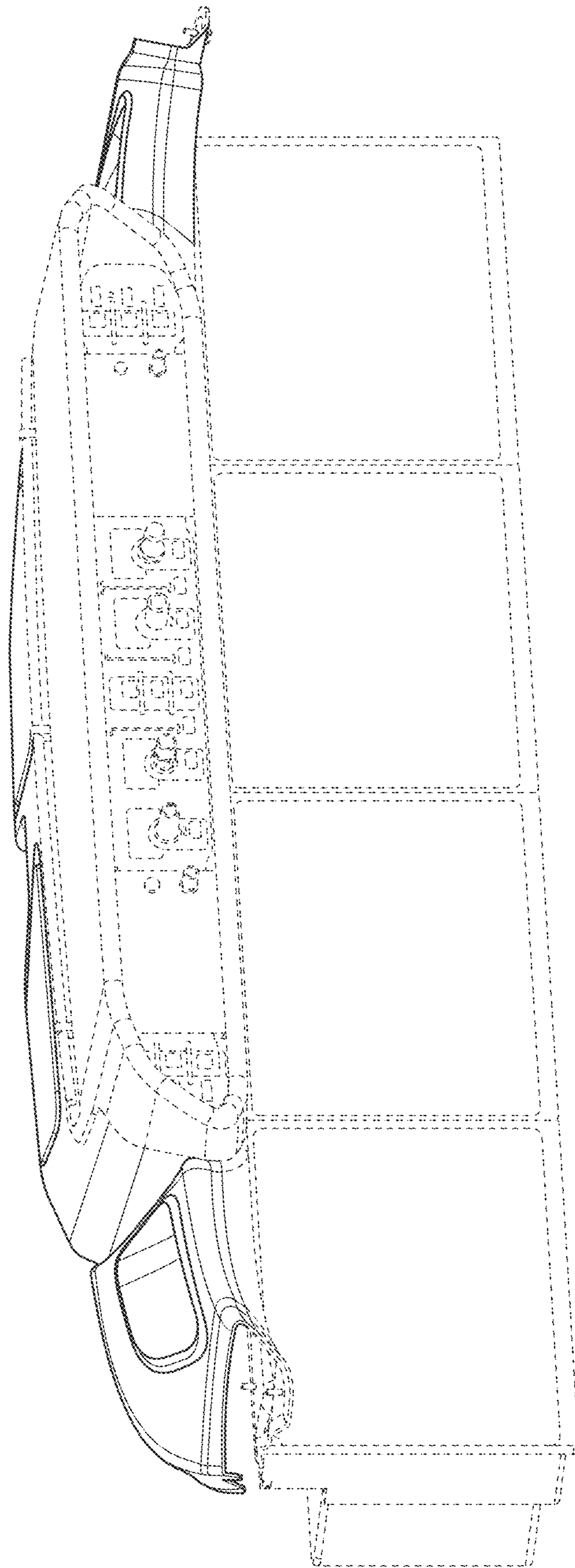


FIG. 1

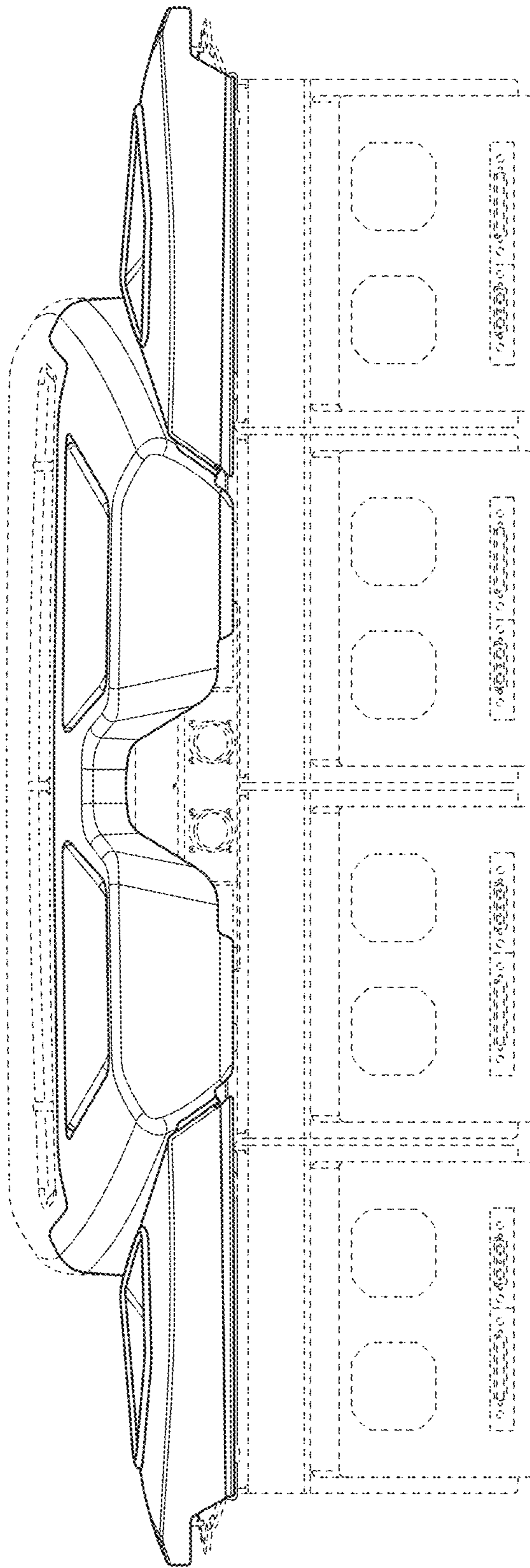


FIG. 2

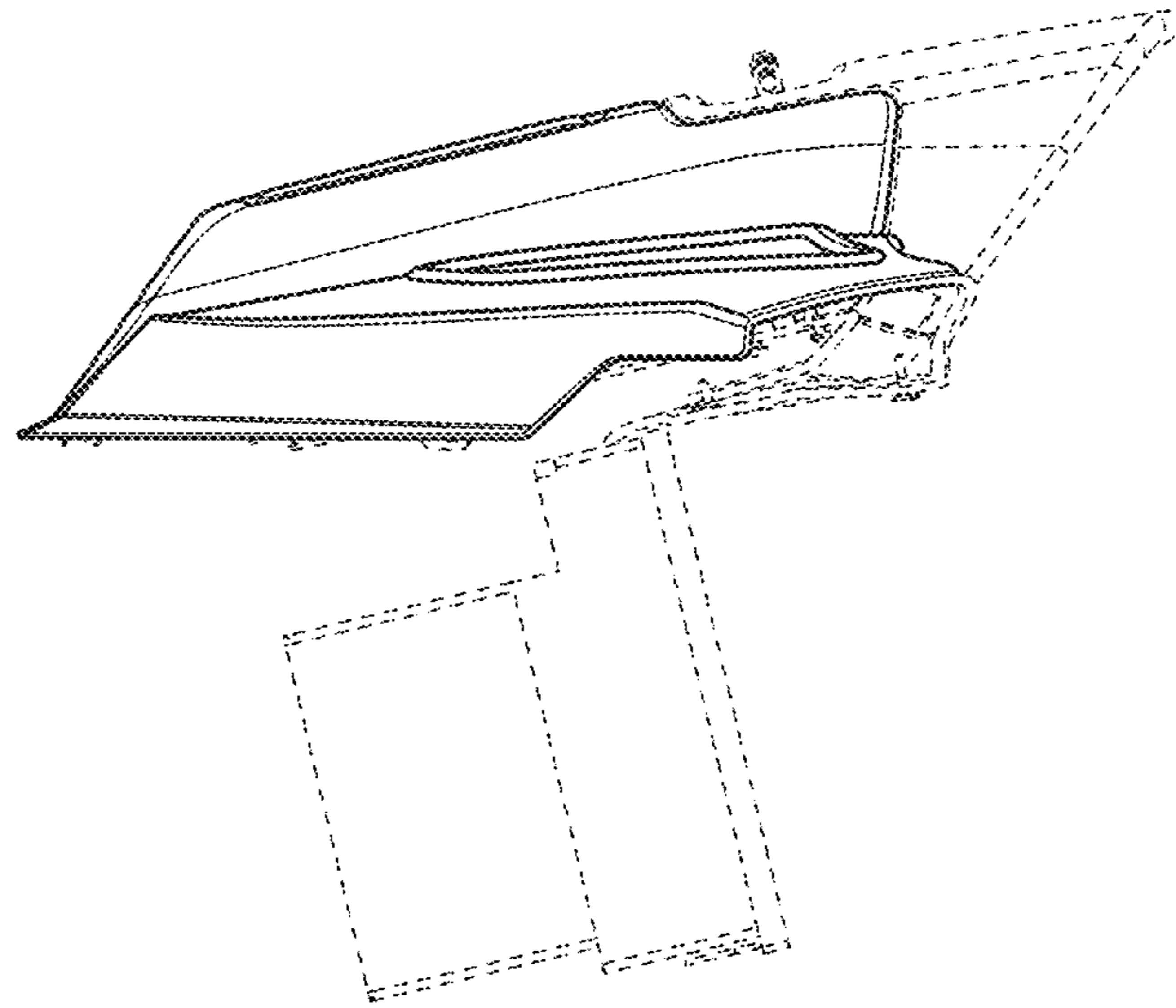


FIG. 3

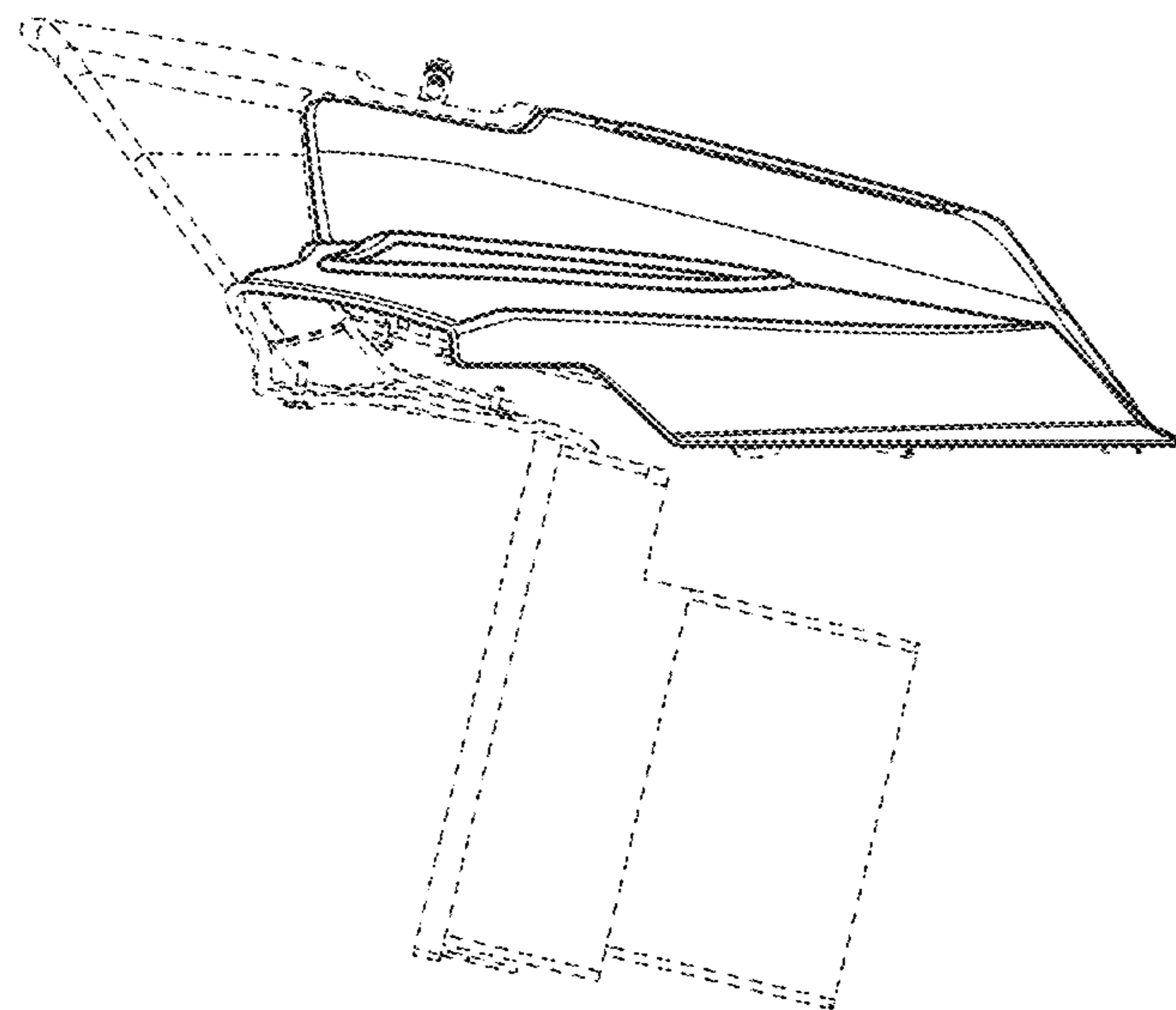


FIG. 4

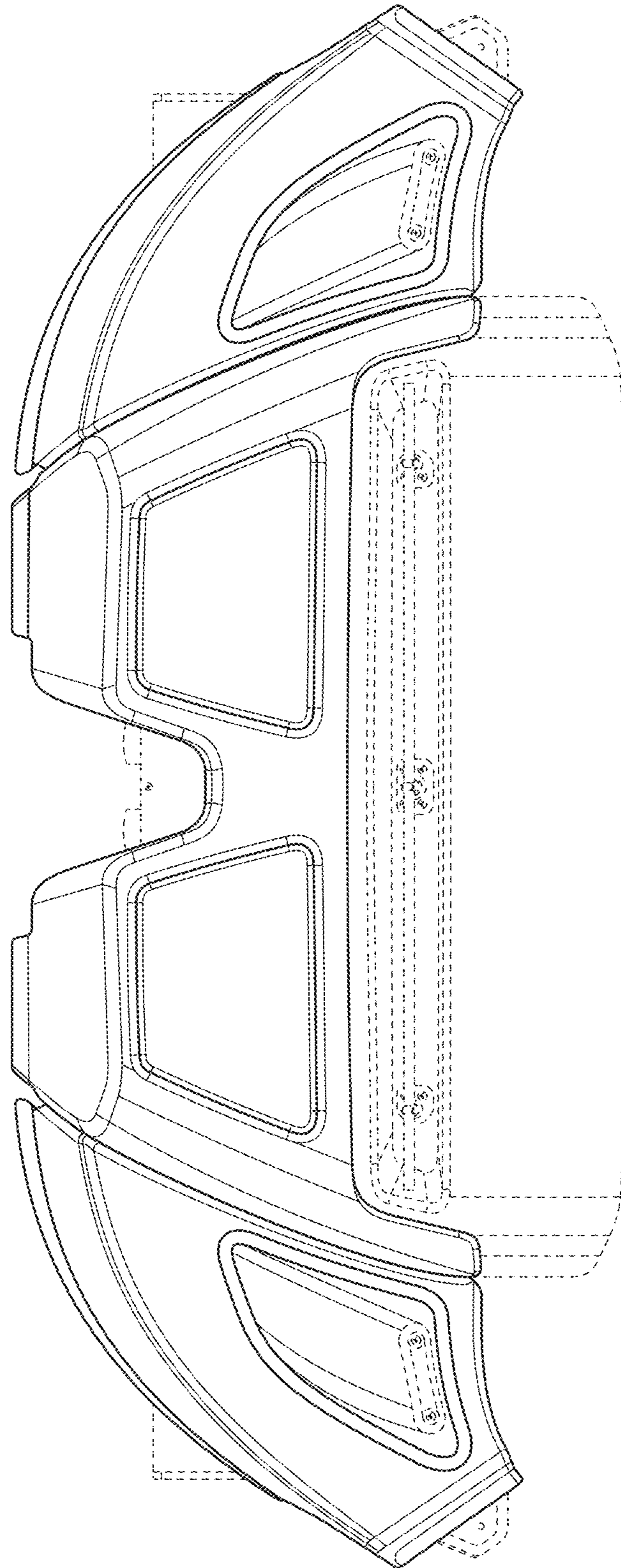


FIG. 5