



US00D789273S

(12) **United States Design Patent**  
**Battin**

(10) **Patent No.:** **US D789,273 S**  
(45) **Date of Patent:** **\*\* Jun. 13, 2017**

- (54) **SET OF BOAT DECK SUN SHADES**
- (71) Applicant: **Donald Battin**, Woodbine, NJ (US)
- (72) Inventor: **Donald Battin**, Woodbine, NJ (US)
- (\*\*) Term: **15 Years**
- (21) Appl. No.: **29/550,147**
- (22) Filed: **Dec. 30, 2015**
- (51) **LOC (10) Cl.** ..... **12-06**
- (52) **U.S. Cl.**  
USPC ..... **D12/317**
- (58) **Field of Classification Search**  
USPC ..... D12/300–318, 401; D21/837; D25/56  
CPC ..... B63B 2017/0045; B63B 17/02; B63B  
17/026; B63B 19/02  
See application file for complete search history.

(56) **References Cited**

**U.S. PATENT DOCUMENTS**

4,683,900	A *	8/1987	Carmichael	.....	B63B 17/02 114/361
D311,169	S *	10/1990	Hoese	.....	D12/318
5,009,184	A *	4/1991	Voldrich	.....	B63B 17/02 114/361
D355,883	S *	2/1995	Simpkins	.....	D12/317
5,520,139	A *	5/1996	King	.....	B63B 17/02 114/361
5,706,752	A *	1/1998	Menne, Jr.	.....	B63B 17/02 114/361
6,349,666	B1 *	2/2002	Hastings	.....	B63B 17/02 114/361
D606,481	S *	12/2009	Stepp	.....	D12/317
D701,820	S *	4/2014	Pierce	.....	D12/317
2006/0162641	A1 *	7/2006	Tufte	.....	B63B 17/02 114/361
2009/0178605	A1 *	7/2009	Tufte	.....	B63B 17/02 114/361
2010/0050923	A1 *	3/2010	Lemons	.....	B63B 17/02 114/361
2014/0261143	A1 *	9/2014	Williams	.....	B63B 17/02 114/361

\* cited by examiner

*Primary Examiner* — Cynthia M Chin  
(74) *Attorney, Agent, or Firm* — Dunlap Bennett & Ludwig PLLC

(57) **CLAIM**

The ornamental design for a set of boat deck sun shades, as shown and described.

**DESCRIPTION**

FIG. 1 is a perspective view of a first portion of the set boat deck sun shades, shown separately for the clarity of illustration;

FIG. 2 is a top plan view of FIG. 1, the bottom plan view being a mirror image thereof;

FIG. 3 is a right elevation view of FIG. 1, the left elevation view being a mirror image thereof;

FIG. 4 is a rear elevation view of FIG. 1;

FIG. 5 is a front elevation view of FIG. 1;

FIG. 6 is a perspective view of a second portion of the set boat deck sun shades, shown separately for the clarity of illustration;

FIG. 7 is a top plan view of FIG. 6, the bottom plan view being a mirror image thereof;

FIG. 8 is a right elevation view of FIG. 6, the left elevation view being a mirror image thereof;

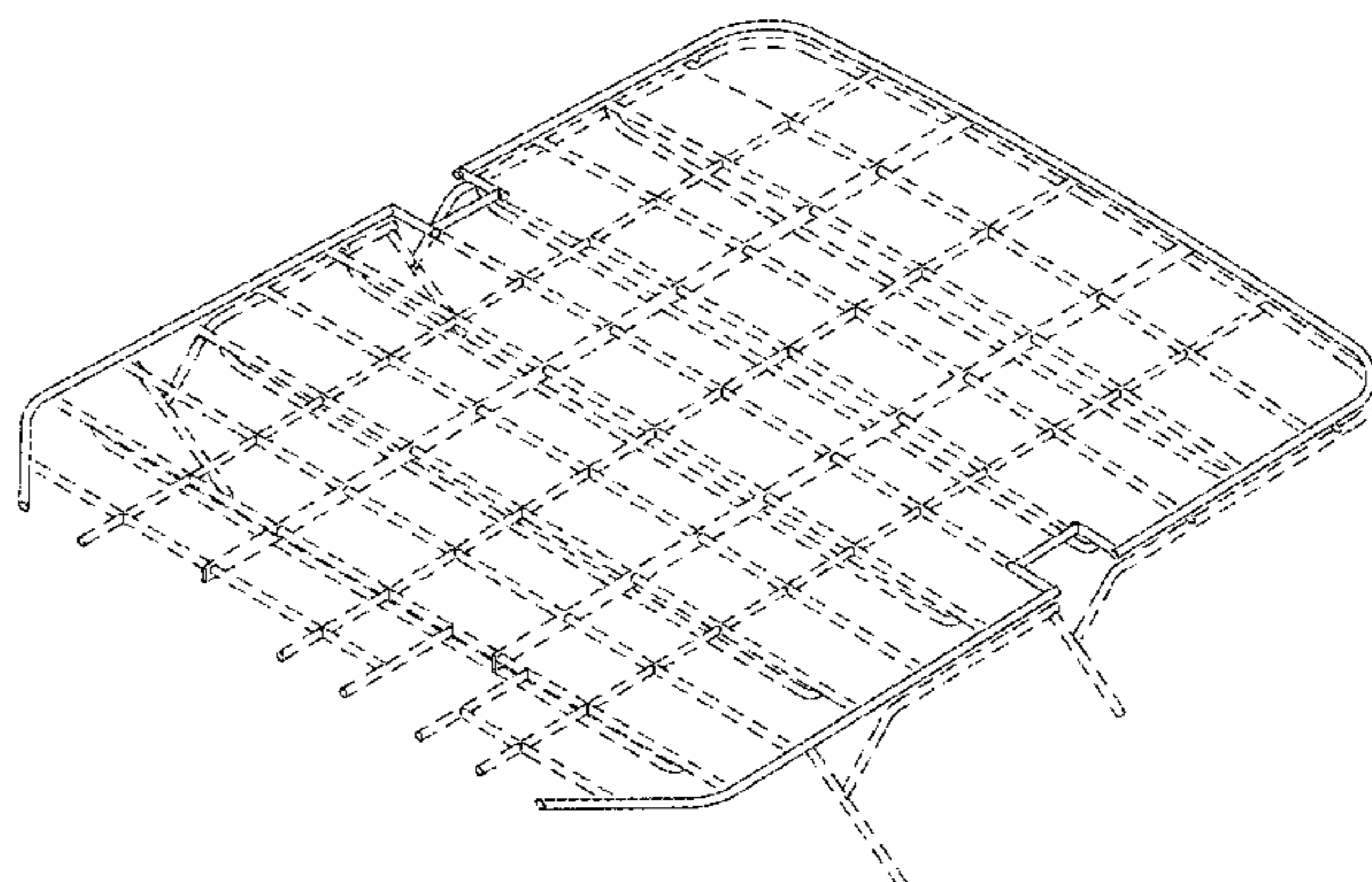
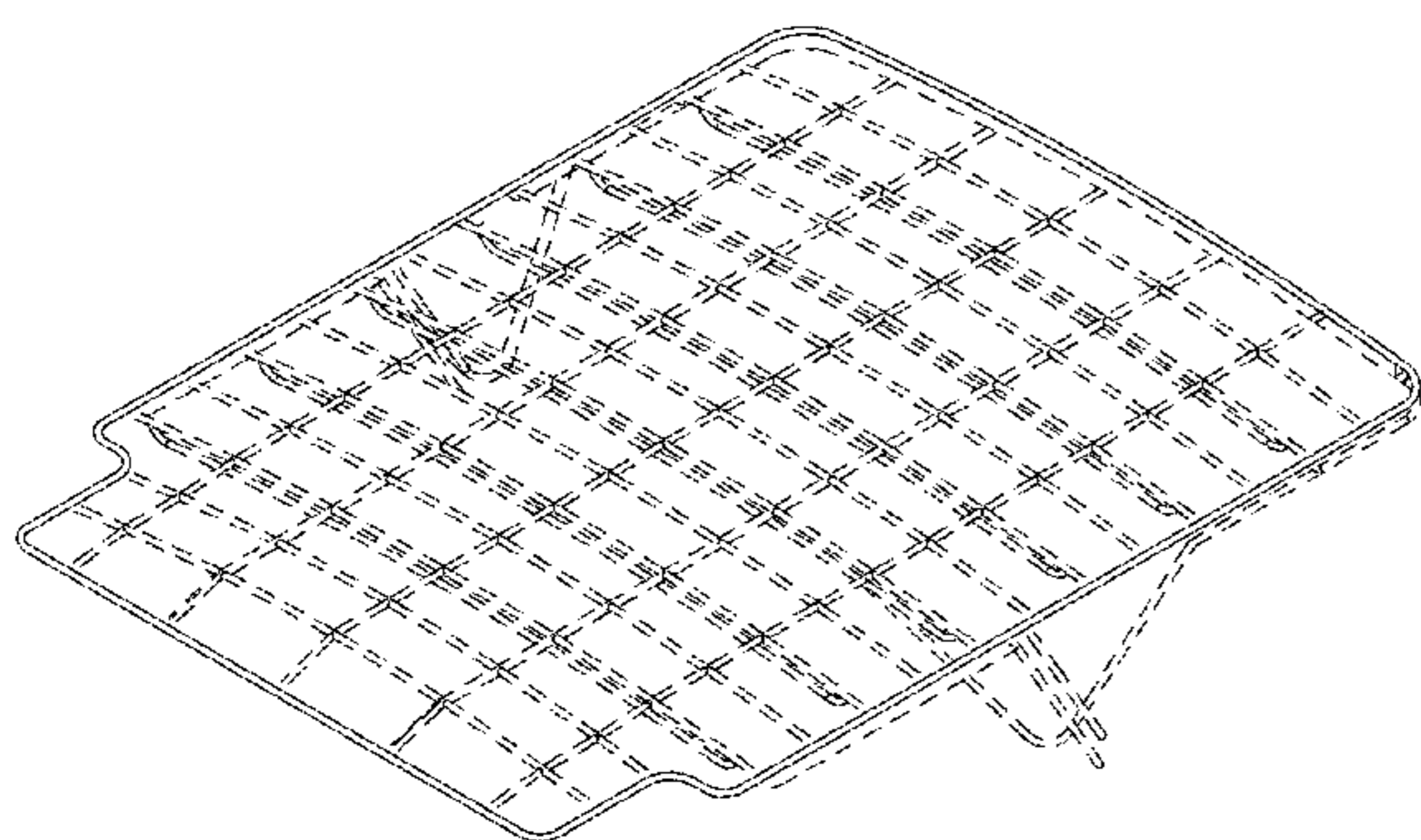
FIG. 9 is a rear elevation view of FIG. 6;

FIG. 10 is a front elevation view of FIG. 6; and,

FIG. 11 is a perspective view of the set of boat deck sun shades, shown in use.

The broken lines showing the boat in FIG. 11 depict environmental subject matter that forms no part of the claimed design, while the remaining broken lines shown in the drawings depict portions of the boat deck sun shade unit that form no part of the claimed design.

**1 Claim, 7 Drawing Sheets**



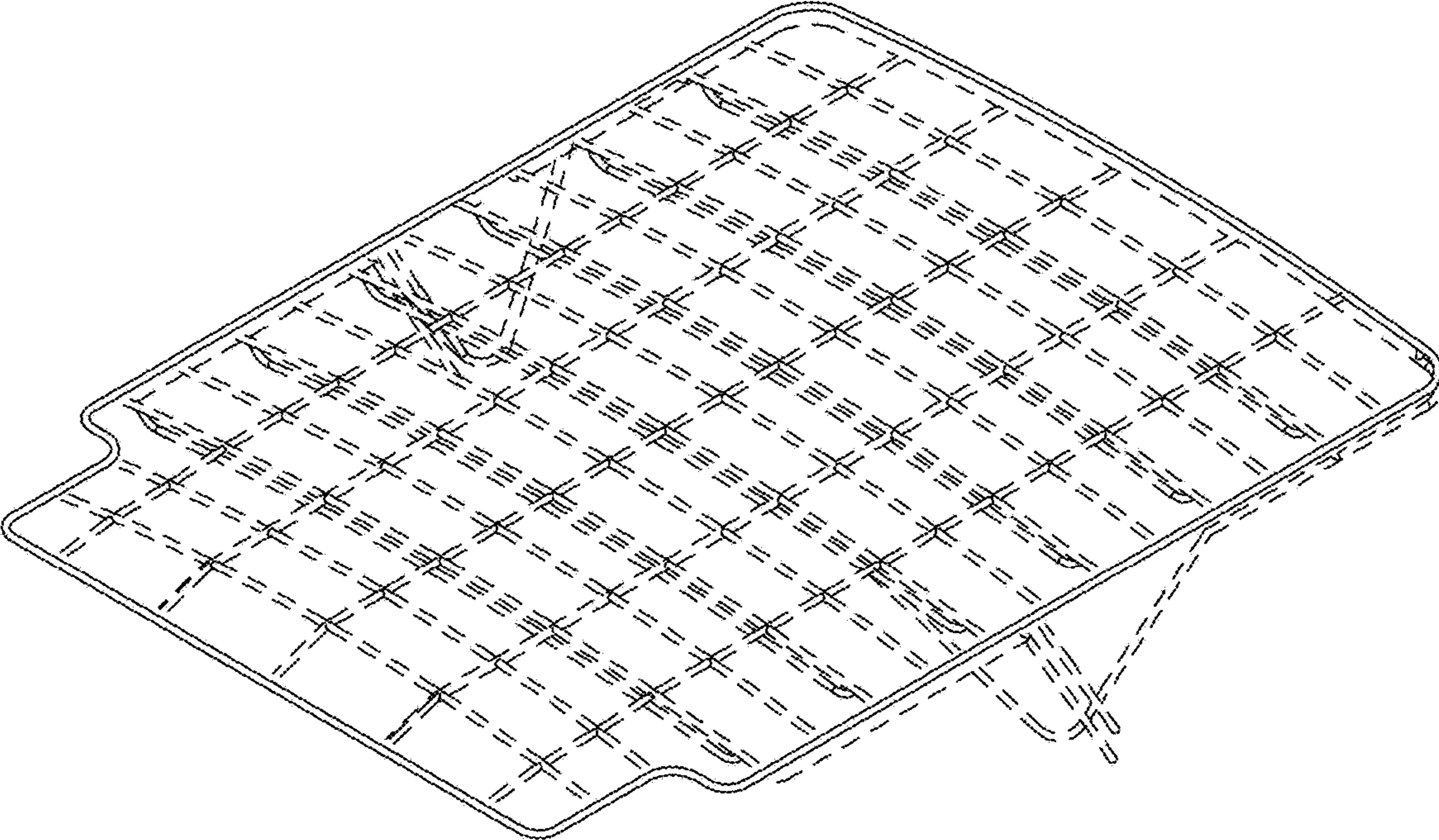


FIG. 1

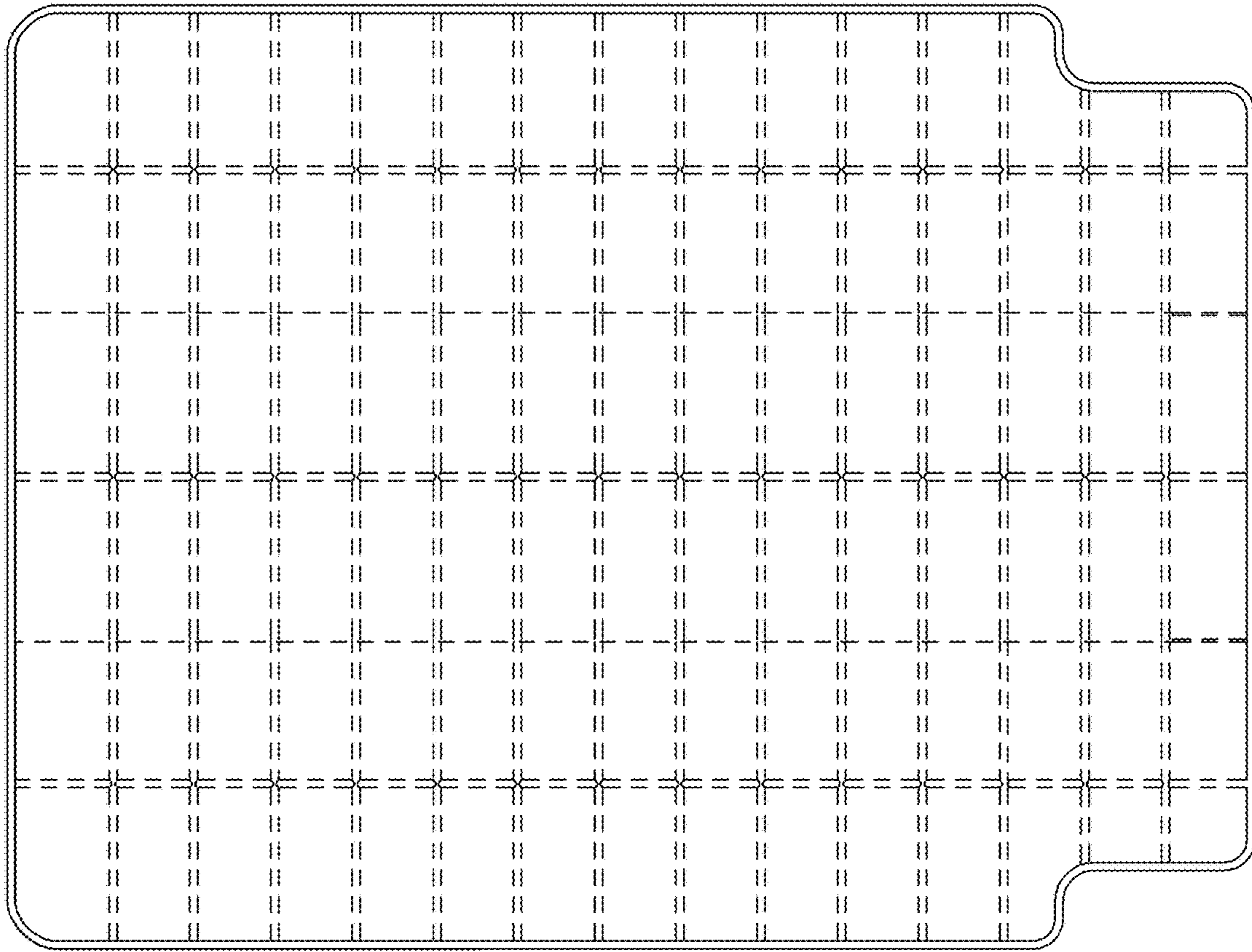


FIG. 2

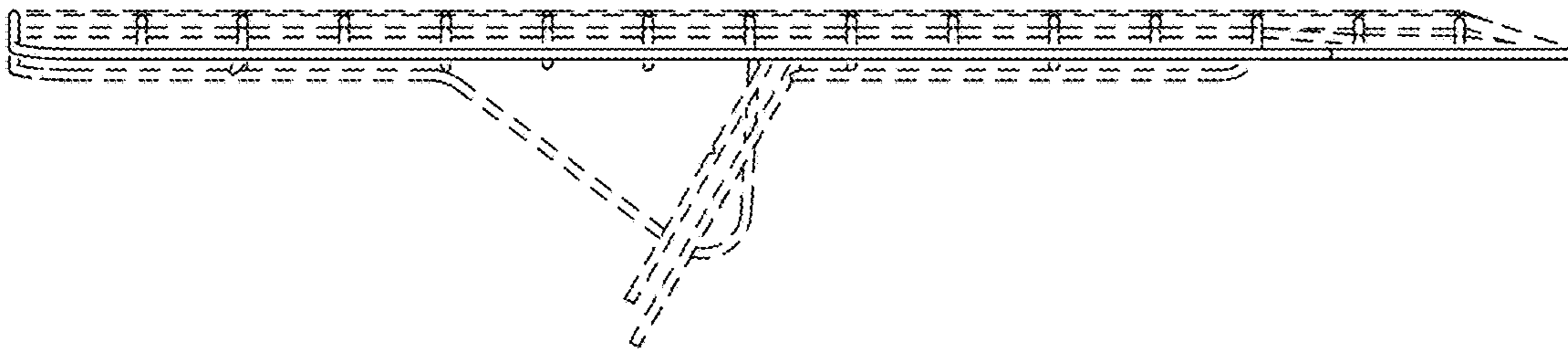


FIG. 3

FIG.4

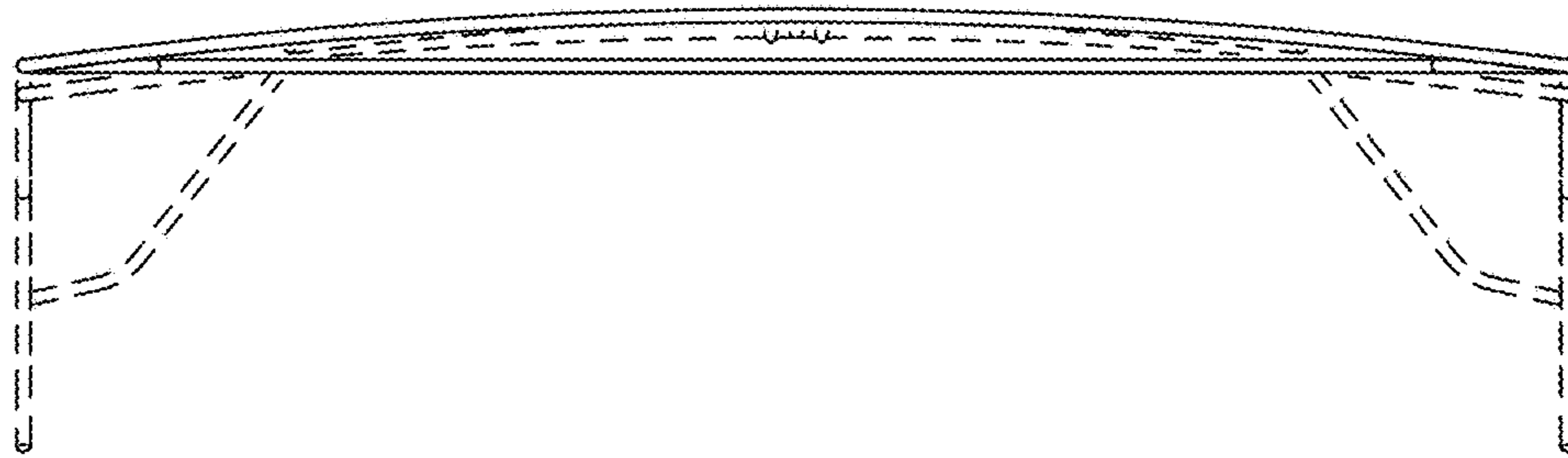
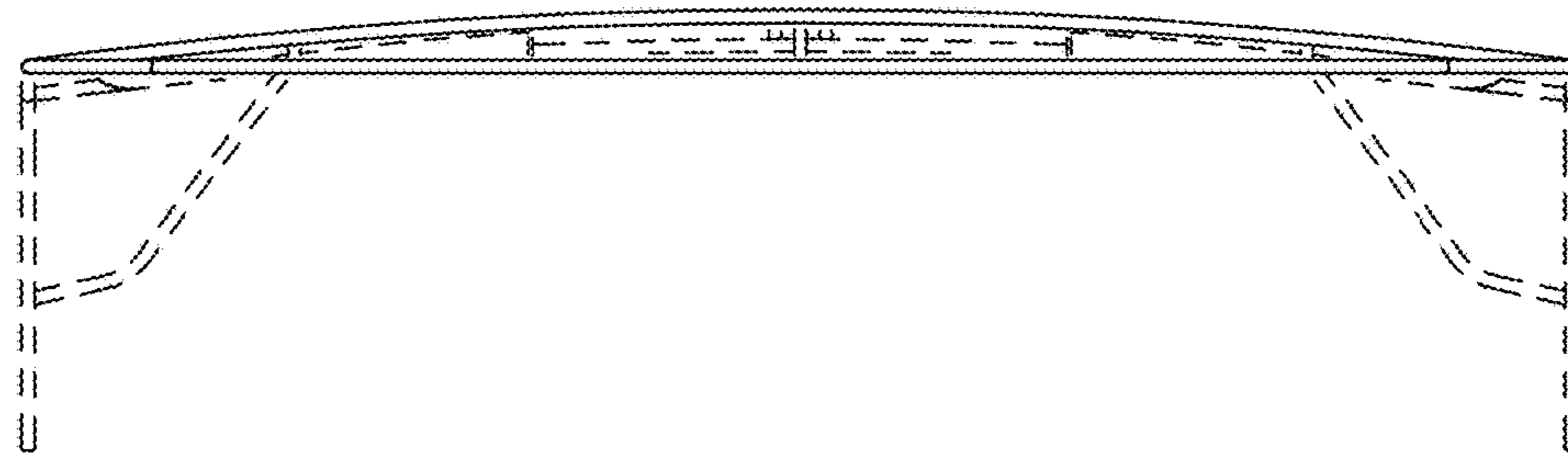


FIG.5



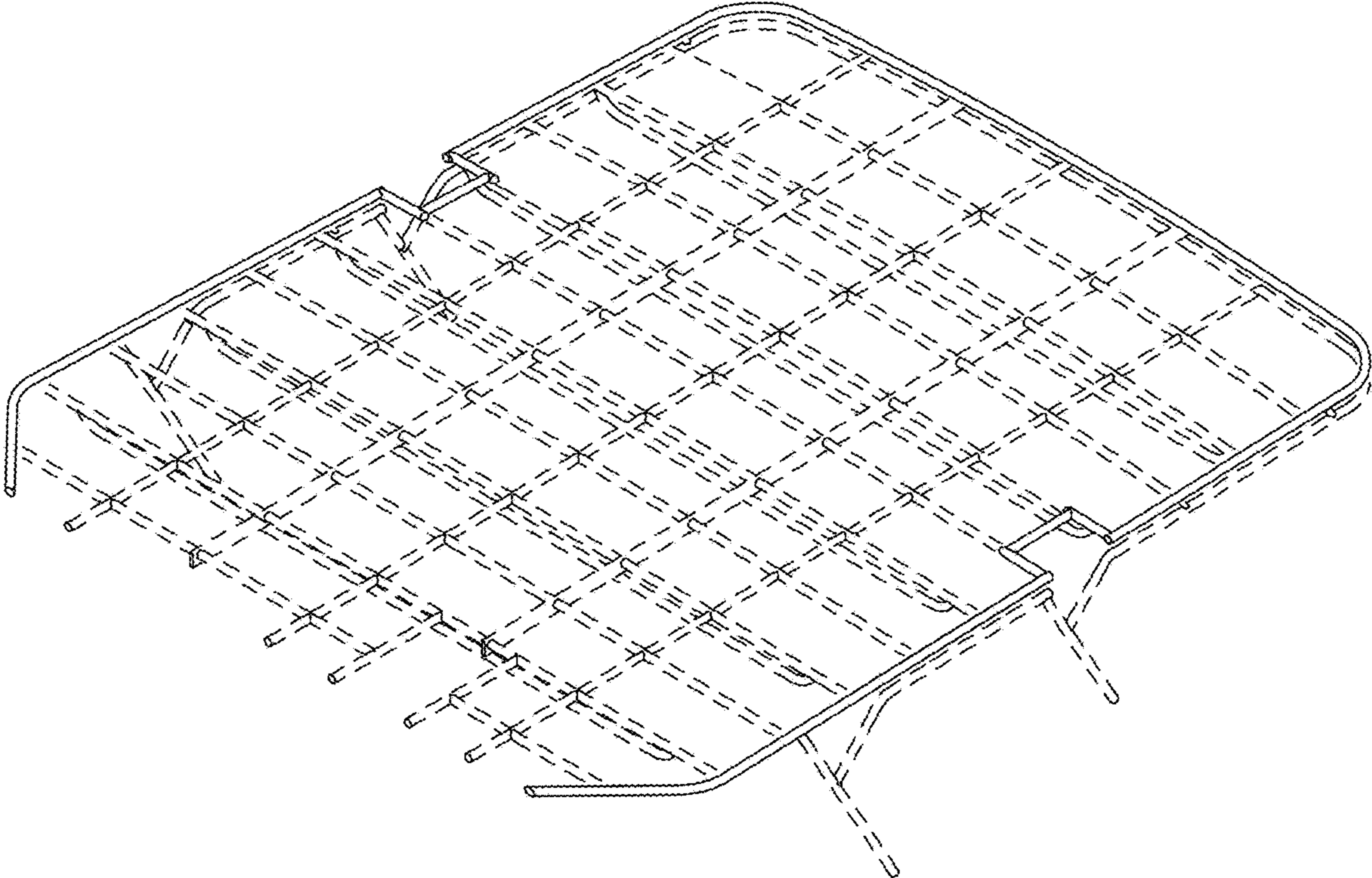


FIG.6

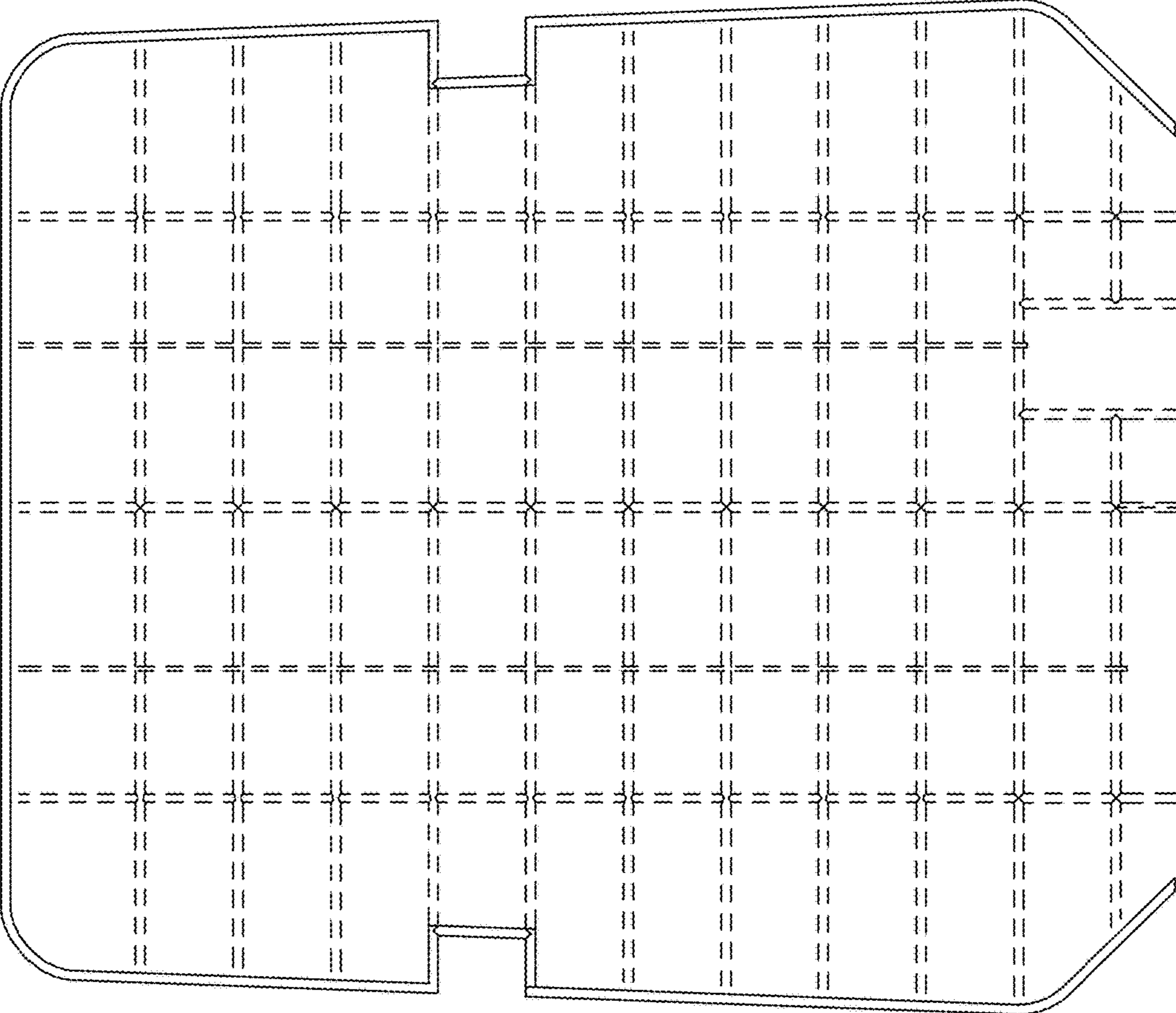


FIG. 7

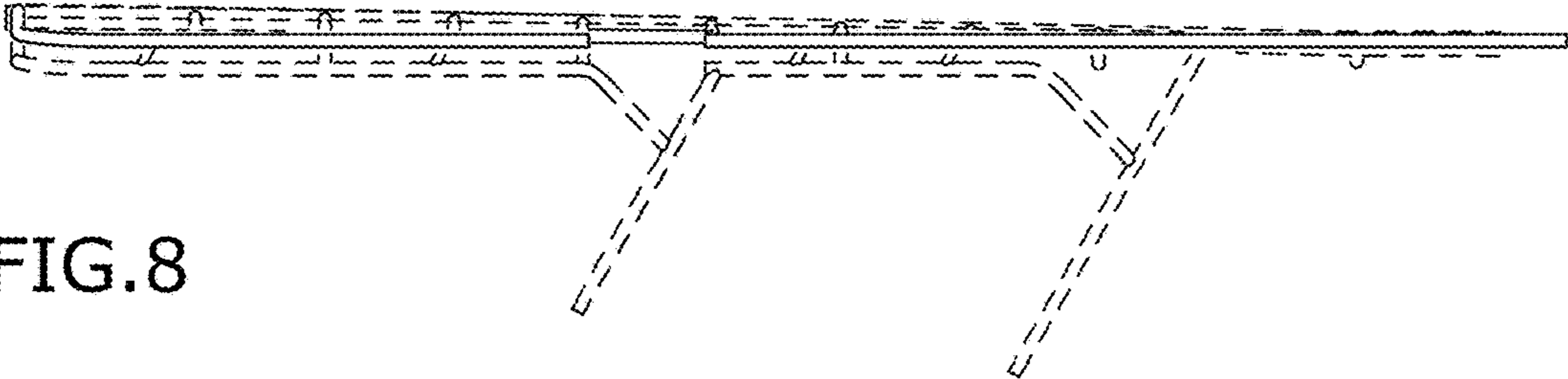


FIG. 8

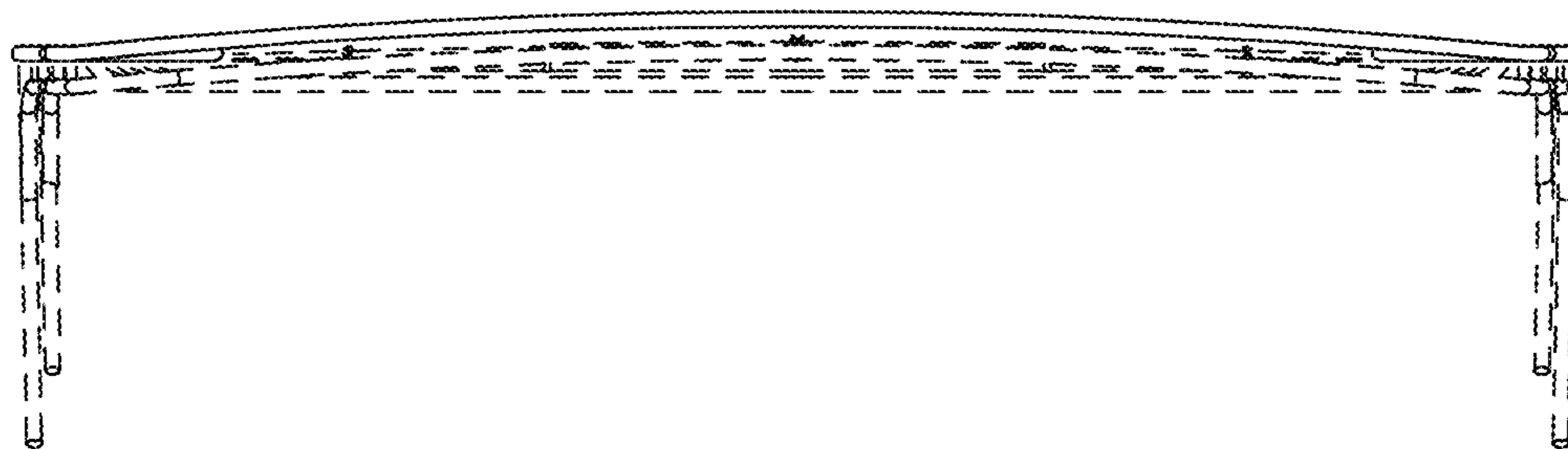


FIG. 9

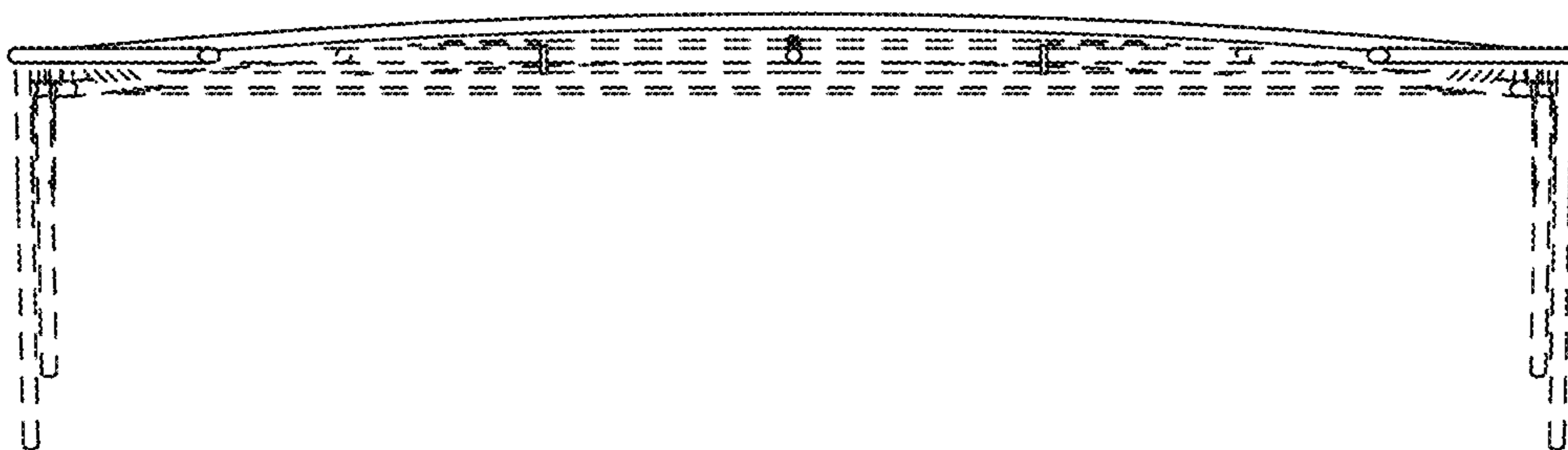


FIG. 10

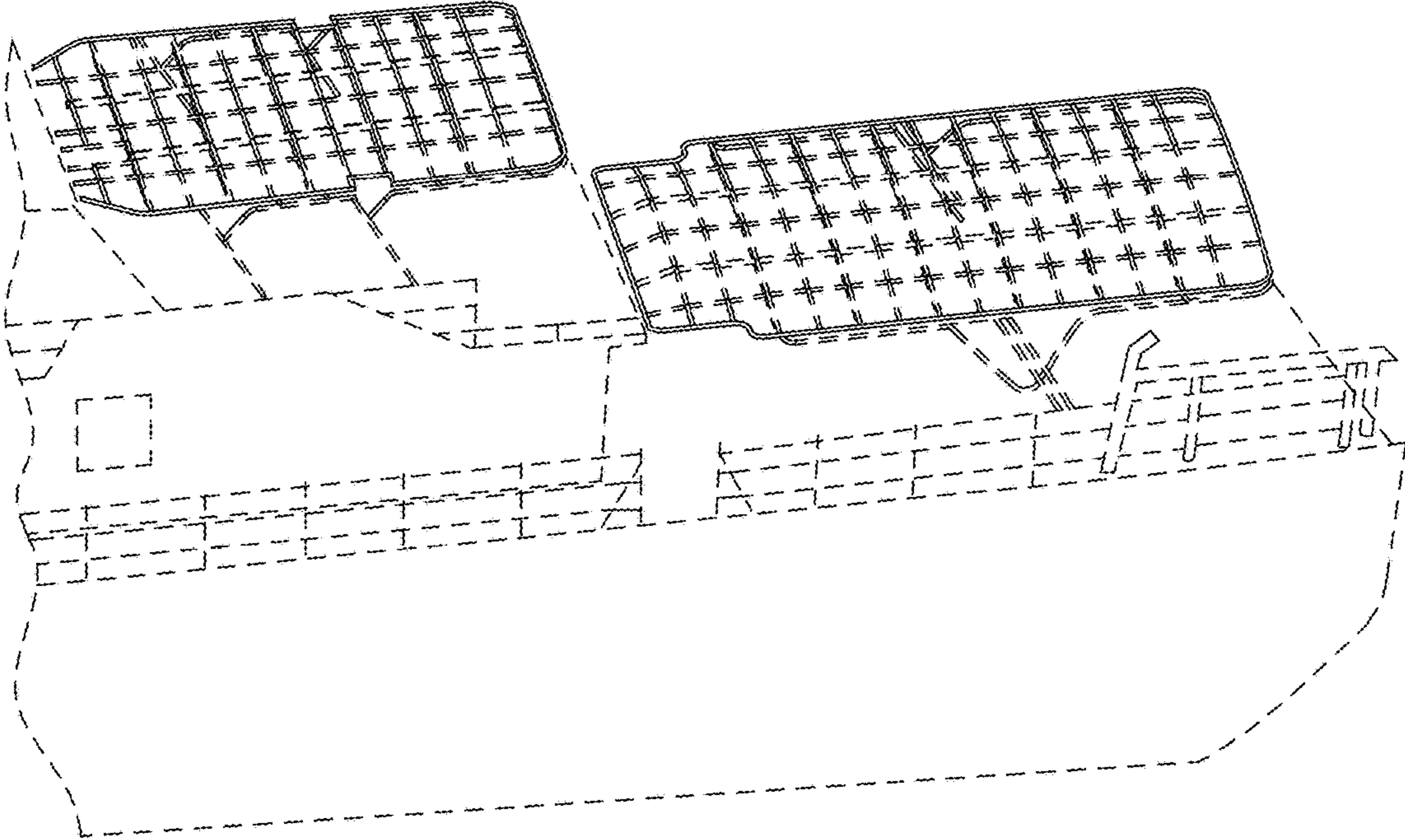


FIG.11