



US00D789272S

(12) **United States Design Patent** (10) **Patent No.:** **US D789,272 S**
Leptien et al. (45) **Date of Patent:** **** Jun. 13, 2017**

(54) **VEHICULAR FLAG POLE** 1,792,615 A * 2/1931 Summerhayes, Jr. G09F 7/18
248/300
(71) Applicant: **ISM Industries LLC**, Wausau, WI D84,396 S * 6/1931 Carrel D8/382
(US) 2,527,357 A 10/1950 Donahey
D273,085 S * 3/1984 Wetmore D15/28
(72) Inventors: **Eugene Ernest Leptien**, Wausau, WI 4,875,431 A 10/1989 Dobosz
(US); **Ronald John Leptien**, Wausau, WI 4,967,685 A 11/1990 Beck
(US) 4,976,410 A 12/1990 Tomaiuolo
(73) Assignee: **ISM Industries LLC**, Wausau, WI D324,146 S * 2/1992 Crowe D12/317
(US) D324,368 S * 3/1992 Zirkelbach D12/317
5,740,622 A * 4/1998 Martin G09F 17/00
116/173
(**) Term: **14 Years** D505,909 S * 6/2005 Erskine D12/317
D664,496 S * 7/2012 Cohen D12/400
(Continued)

(21) Appl. No.: **29/516,115**

Primary Examiner — Sandra Snapp

(22) Filed: **Jan. 29, 2015**

Assistant Examiner — Ieisha Price

Related U.S. Application Data

(74) *Attorney, Agent, or Firm* — Andrus Intellectual Property Law, LLP

(63) Continuation of application No. 13/553,196, filed on Jul. 19, 2012, now abandoned.

(51) **LOC (10) Cl.** **12-06**

(57) **CLAIM**

(52) **U.S. Cl.**

The ornamental designs for a vehicular flag pole, as shown and described.

USPC **D12/223**

(58) **Field of Classification Search**

DESCRIPTION

USPC D12/20, 42, 43, 44, 48, 317, 345, 106,
D12/114, 115, 117, 400, 406, 407, 408,
D12/409, 410, 412, 414, 203, 223;
D8/349, 354, 355, 382, 394, 499, 404, 19,
D8/16
CPC . B60Q 7/005; G09F 7/18; G09F 21/04; G09F
2017/0075; G09F 21/048; G09F 17/00;
G09F 2007/1865; G09F 2007/1843; G09F
3/20; G09F 3/203; G09F 21/043; G09F
21/046; B60R 13/04

FIG. 1 is a front view of an embodiment of a vehicular flag pole;
FIG. 2 is a rear view thereof;
FIG. 3 is a left side view thereof;
FIG. 4 is a right side view thereof;
FIG. 5 is a top view thereof;
FIG. 6 is a bottom view thereof; and,
FIG. 7 is a perspective view thereof.
The broken lines in the drawings illustrate portions of the vehicular flag pole and form no part of the claimed design. The dash-dot-dash broken line illustrates the bounds of the claim.

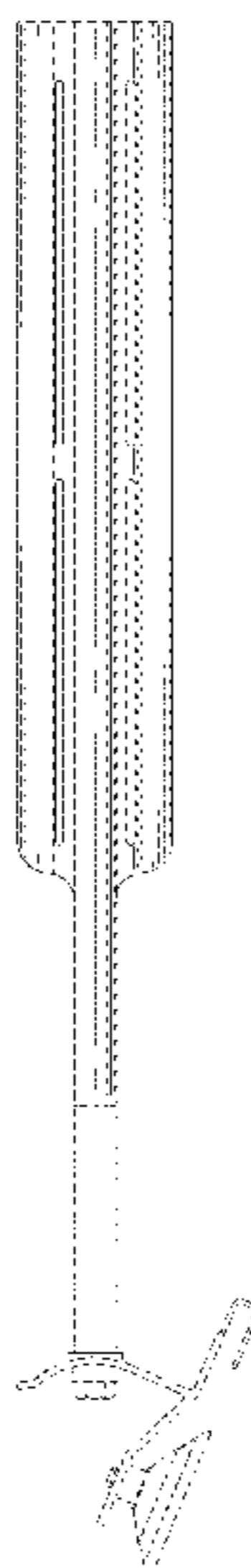
See application file for complete search history.

(56) **References Cited**

1 Claim, 4 Drawing Sheets

U.S. PATENT DOCUMENTS

1,270,813 A 7/1918 Gowen
1,362,704 A * 12/1920 Johnson G09F 17/00
116/173



(56)

References Cited

U.S. PATENT DOCUMENTS

2003/0196406 A1* 10/2003 Lee E04H 12/32
52/632
2010/0327625 A1 12/2010 Tavlarides
2012/0204454 A1* 8/2012 Larsen G09F 21/04
40/591
2013/0019795 A1* 1/2013 Leptien G09F 17/00
116/173
2016/0348863 A1* 12/2016 Toner F21S 9/035
2017/0053573 A1* 2/2017 Butler, III G09F 17/00

* cited by examiner

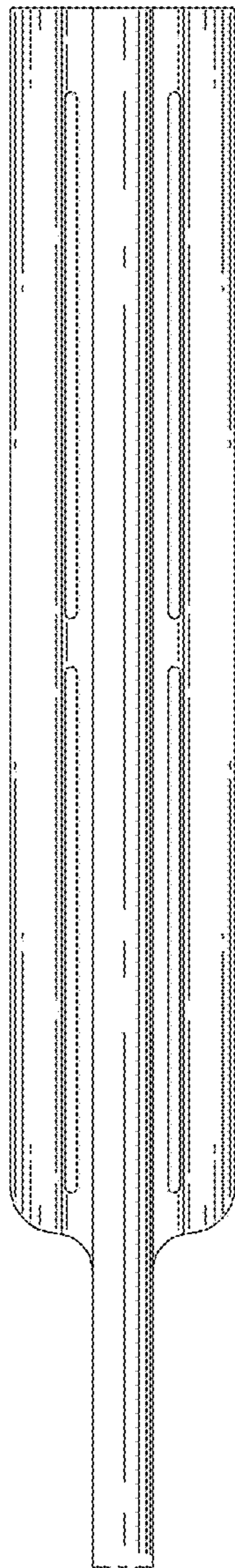


FIG. 1

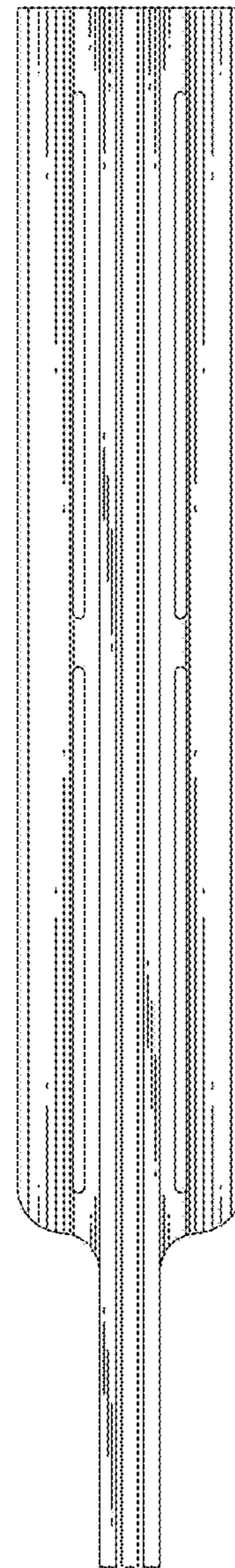
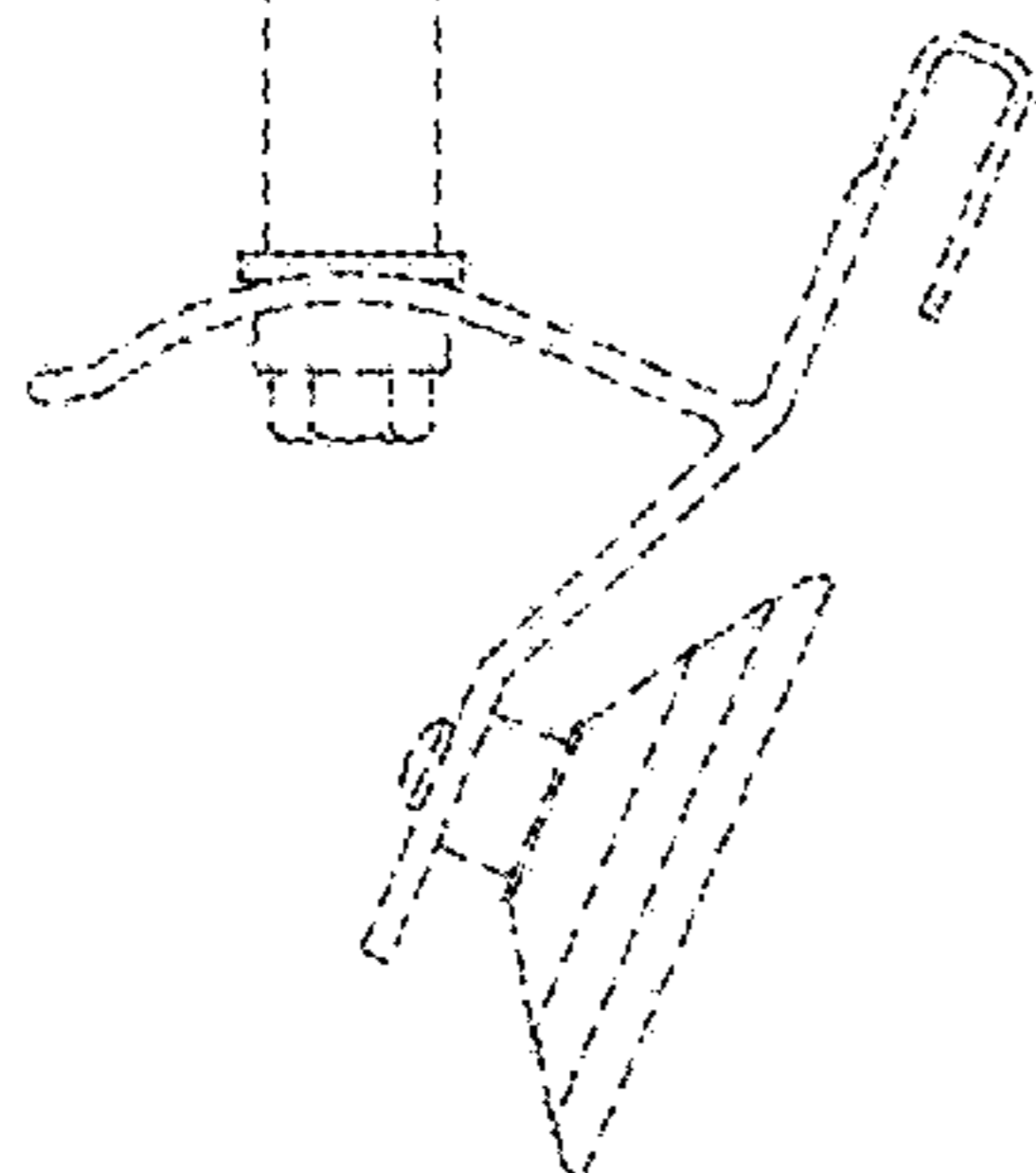
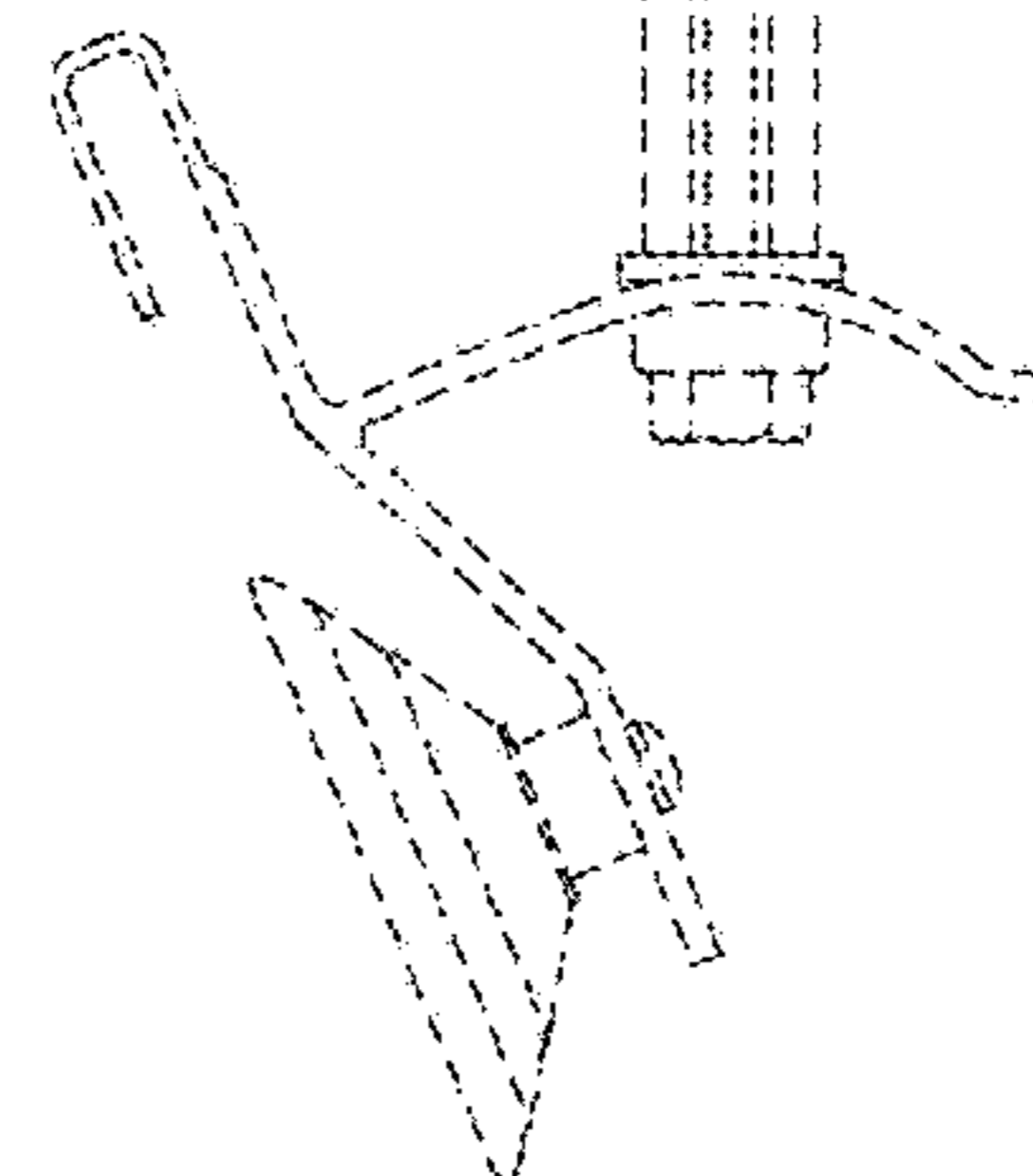


FIG. 2



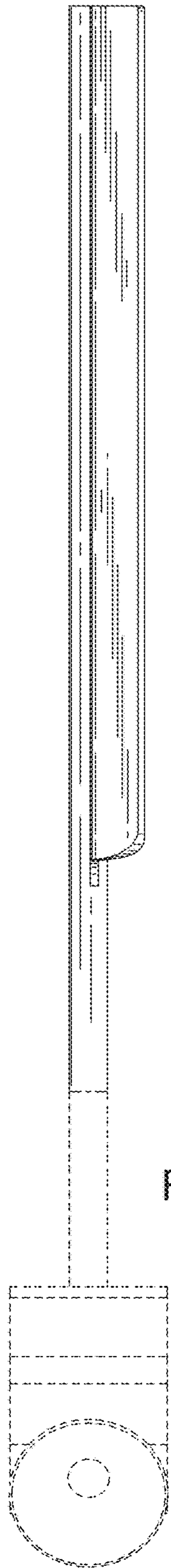


FIG. 3

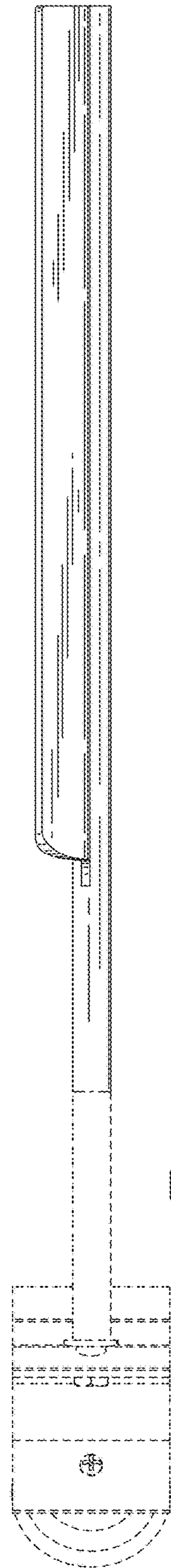


FIG. 4

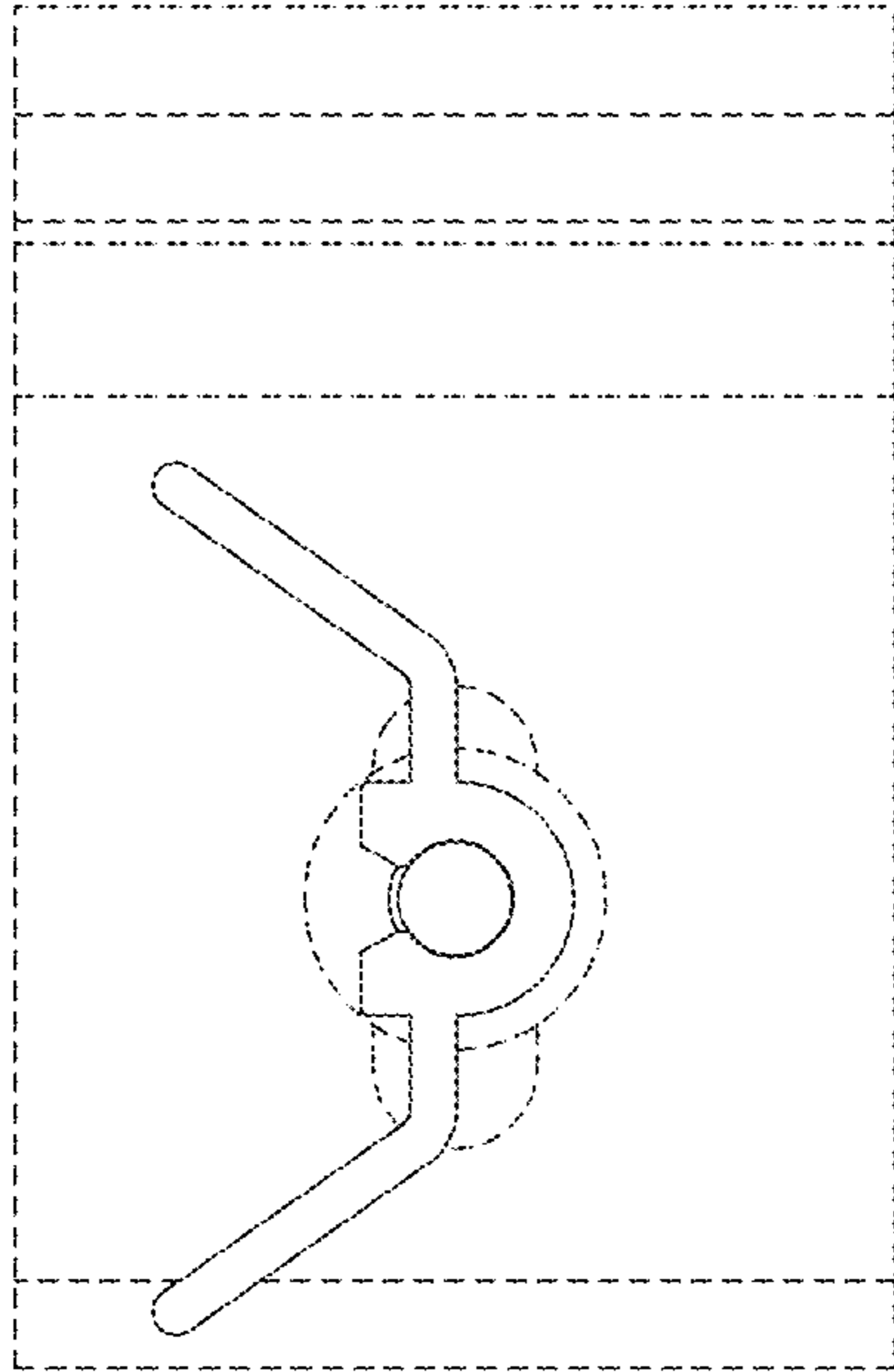


FIG. 5

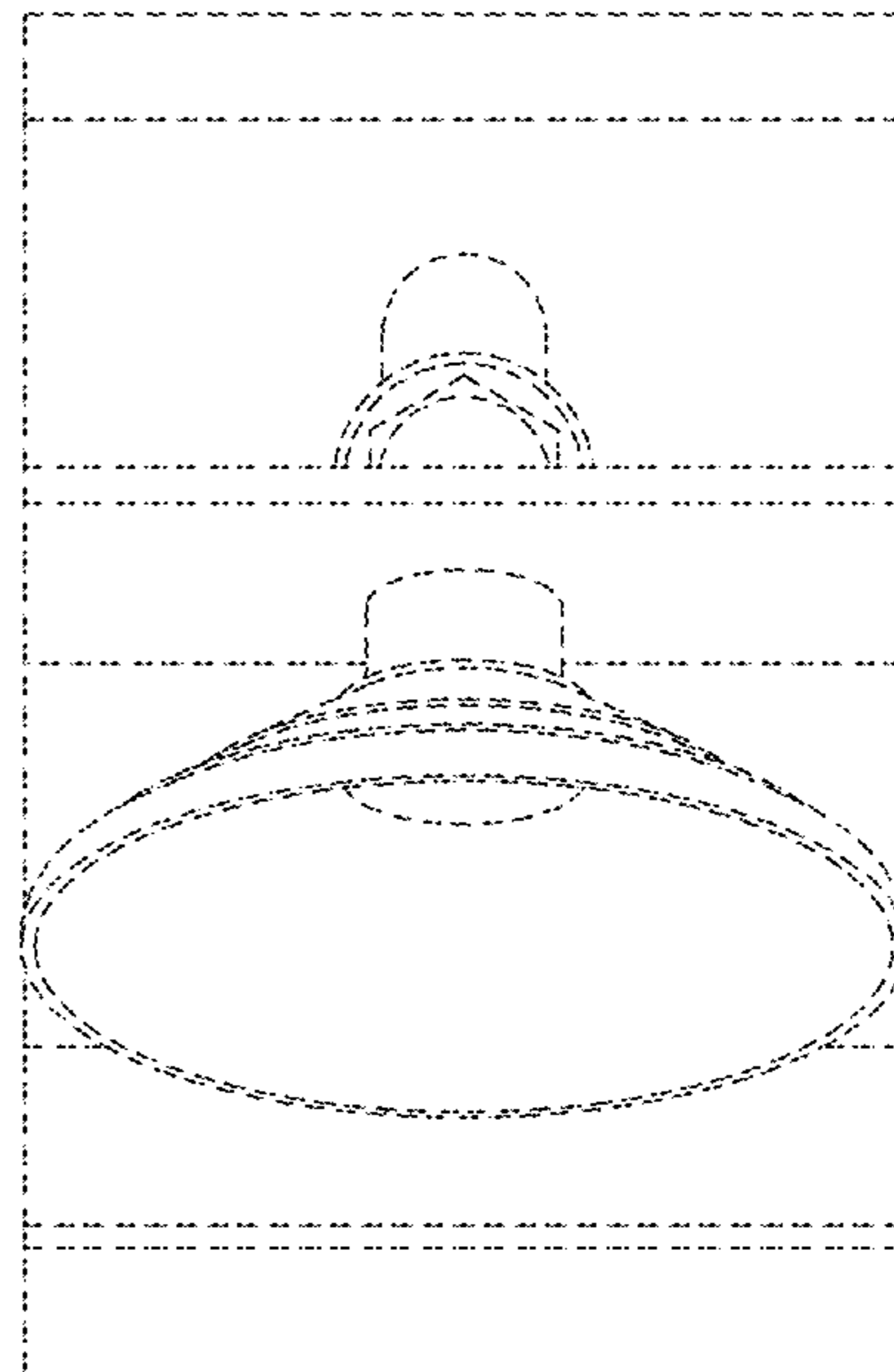


FIG. 6

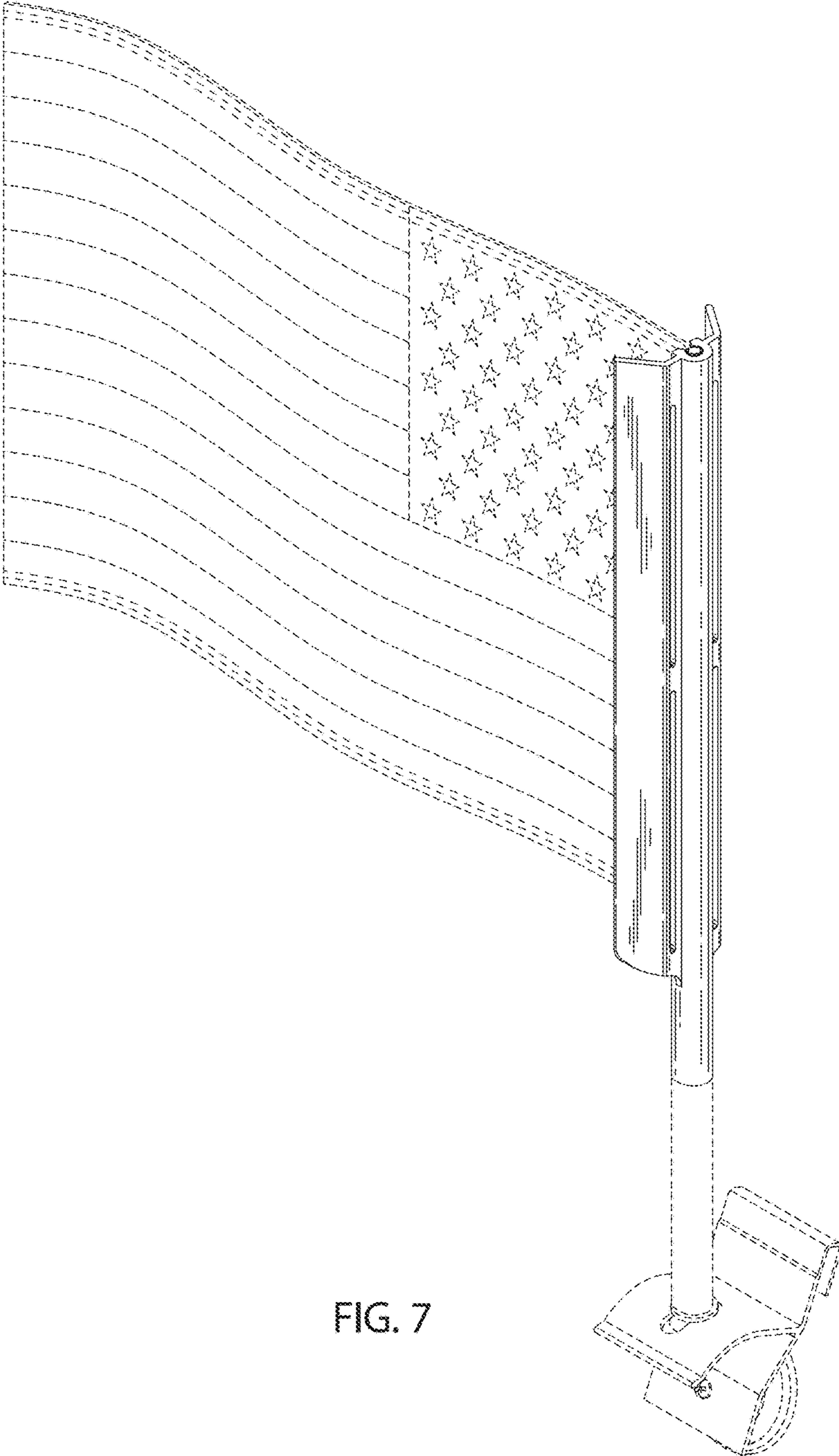


FIG. 7