



US00D789271S

(12) **United States Design Patent** (10) **Patent No.:** **US D789,271 S**  
**Hyun et al.** (45) **Date of Patent:** **\*\* Jun. 13, 2017**

(54) **WINDSCREEN WIPER**  
(71) Applicant: **CAP Corporation**, Gyeongsangbuk-do (KR)  
(72) Inventors: **Seung Chul Hyun**, Gyeonggi-do (KR); **Myoung Yeon Kim**, Ulsan (KR); **Chel Won Park**, Daegu (KR)  
(73) Assignee: **CAP Corporation**, Gyeongsangbuk-do (KR)

(\*\*) Term: **15 Years**

(21) Appl. No.: **29/559,805**

(22) Filed: **Mar. 31, 2016**

(30) **Foreign Application Priority Data**

Oct. 1, 2015 (KR) ..... 30-2015-0049623

(51) **LOC (10) Cl.** ..... **12-06**

(52) **U.S. Cl.**  
USPC ..... **D12/219**

(58) **Field of Classification Search**  
USPC ..... D12/219, 220  
CPC ..... B60S 2001/3815; B60S 1/4003; B60S 1/3801  
See application file for complete search history.

(56) **References Cited**

**U.S. PATENT DOCUMENTS**

D379,613 S 6/1997 Chen  
D382,848 S 8/1997 Chen  
D610,518 S \* 2/2010 Aglassinger ..... D12/220  
D610,519 S \* 2/2010 Aglassinger ..... D12/220

D725,021 S \* 3/2015 Poton ..... D12/220  
D725,024 S \* 3/2015 Poton ..... D12/220  
D725,025 S \* 3/2015 Poton ..... D12/220  
D725,026 S \* 3/2015 Poton ..... D12/220  
D727,238 S \* 4/2015 Lepper ..... D12/220  
2008/0083082 A1 4/2008 Rovaart et al.  
2011/0162161 A1 7/2011 Amado  
2011/0277266 A1 11/2011 Umeno  
2014/0215747 A1\* 8/2014 Yang ..... B60S 1/4003  
15/250.32  
2014/0317875 A1\* 10/2014 Tolentino ..... B60S 1/387  
15/250.32

\* cited by examiner

*Primary Examiner* — Katrina A Betton

(74) *Attorney, Agent, or Firm* — Grossman Tucker Perreault & Pflieger, PLLC

(57) **CLAIM**

The ornamental design for a windscreen wiper, as shown and described.

**DESCRIPTION**

FIG. 1 is a perspective view of a windscreen wiper showing our new design.  
FIG. 2 is a front view thereof.  
FIG. 3 is a rear view thereof.  
FIG. 4 is a magnified left side view thereof.  
FIG. 5 is a magnified right side view thereof.  
FIG. 6 is a top plan view thereof.  
FIG. 7 is a bottom plan view thereof; and,  
FIG. 8 is a cross-sectional view thereof taken along line A-A' in FIG. 2 for purposes of illustrating a contour or configuration of the exterior surface, which may not be apparent from the other views.

**1 Claim, 8 Drawing Sheets**

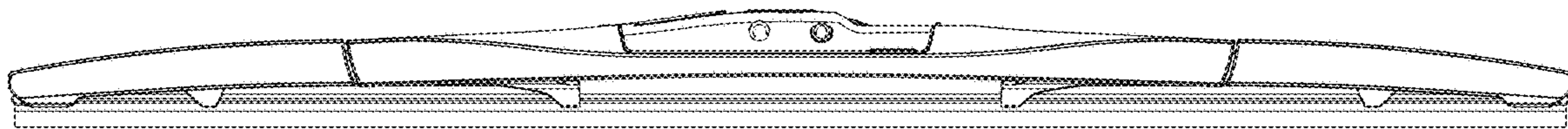


FIG. 1

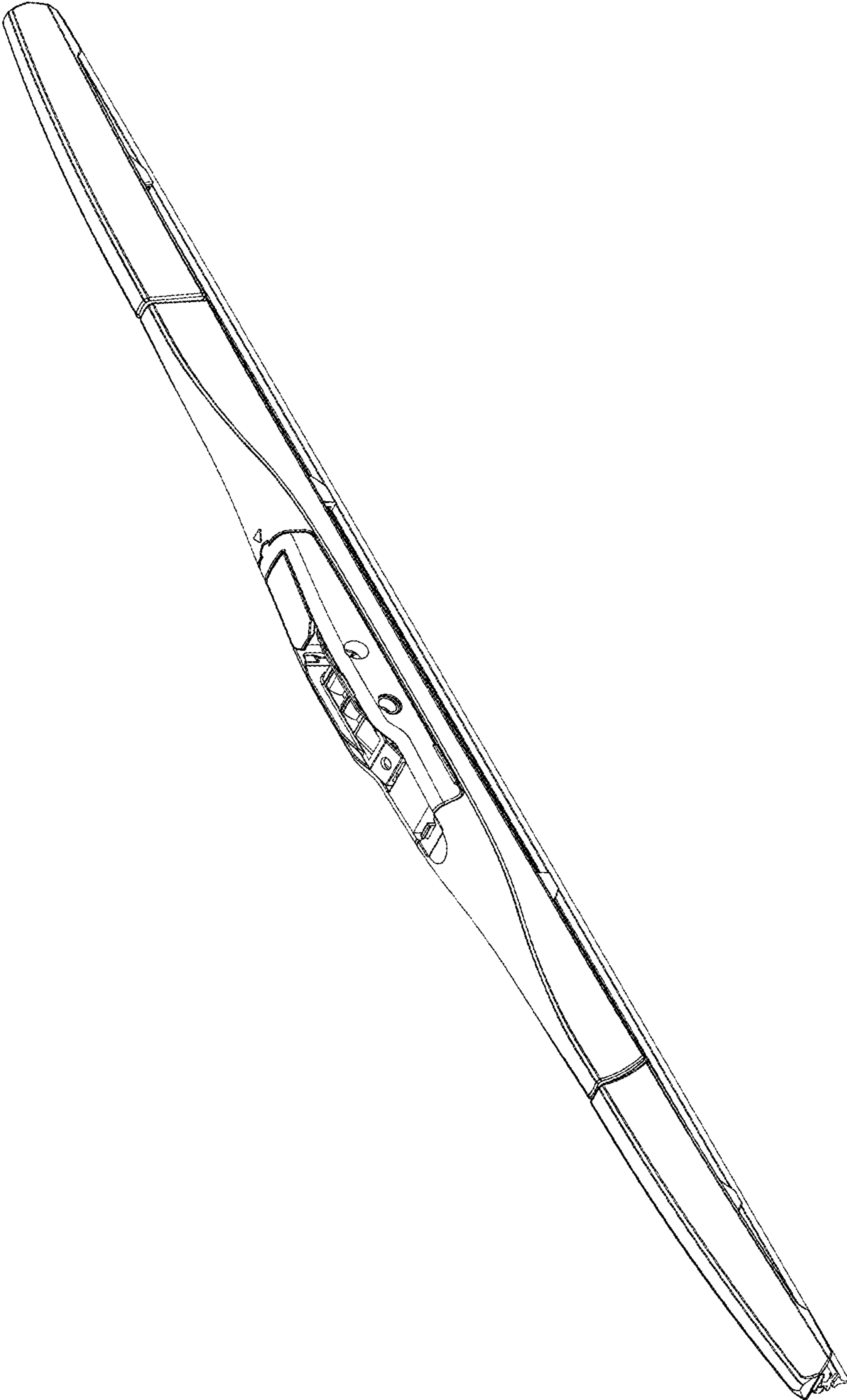


FIG. 2

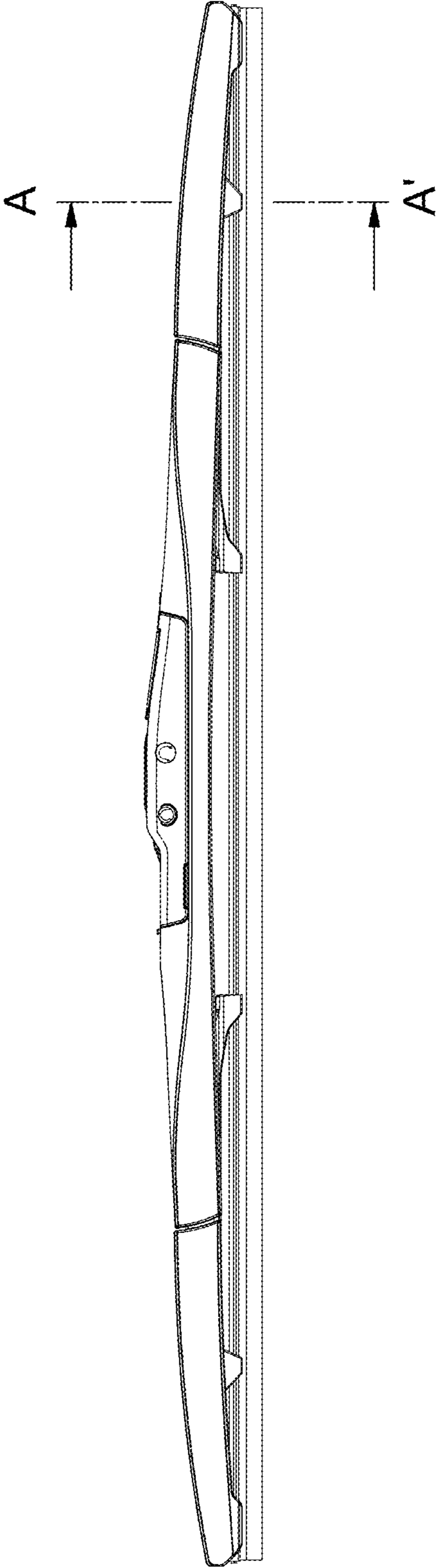


FIG. 3

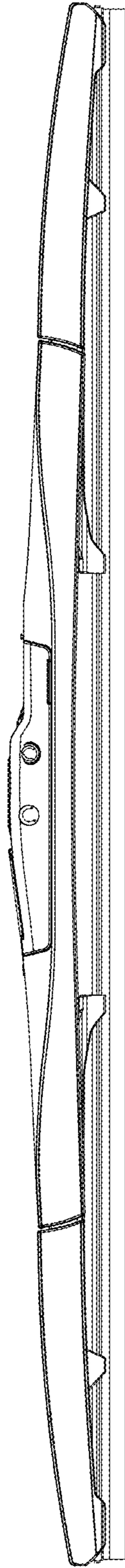


FIG. 4

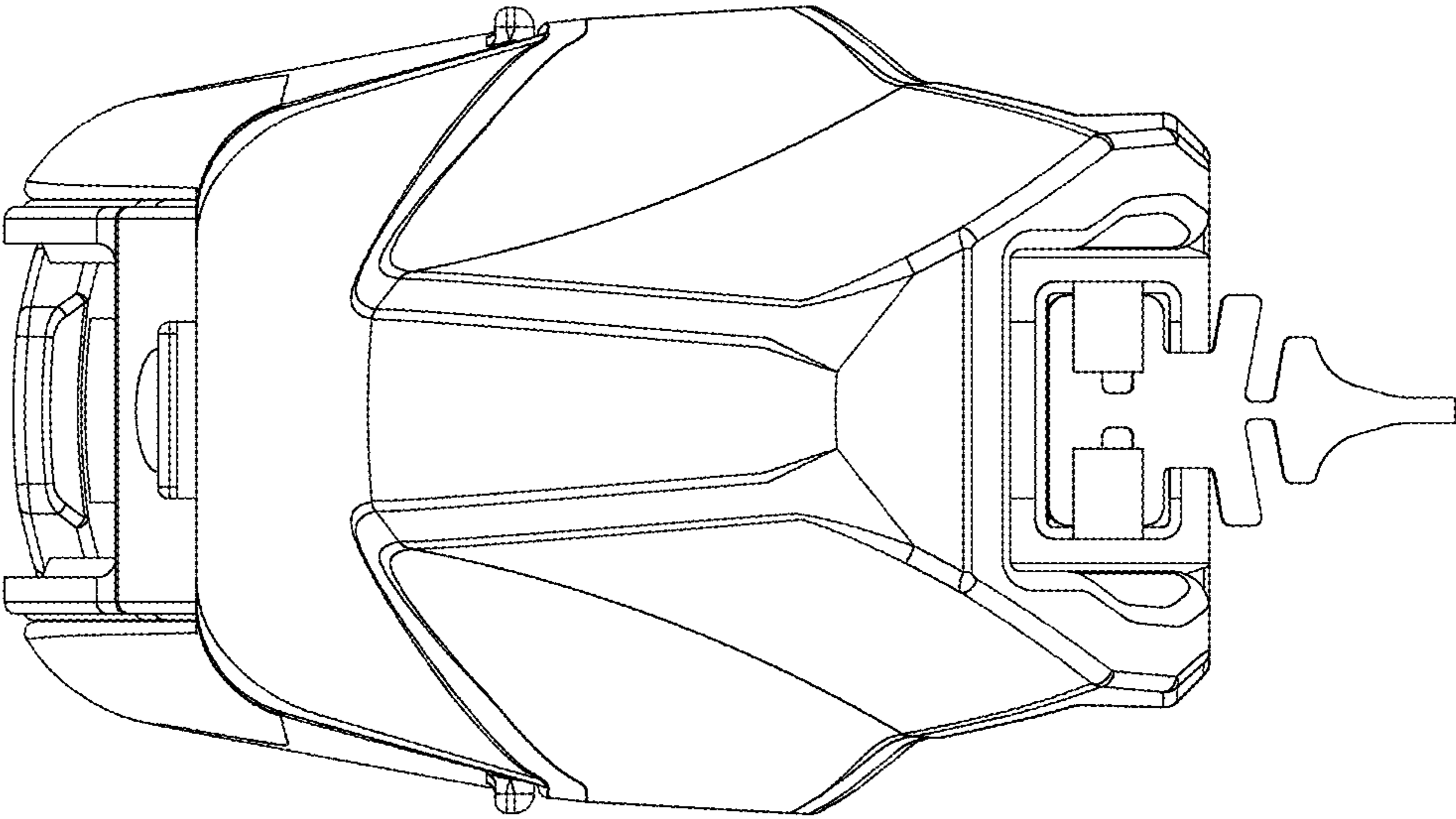


FIG. 5

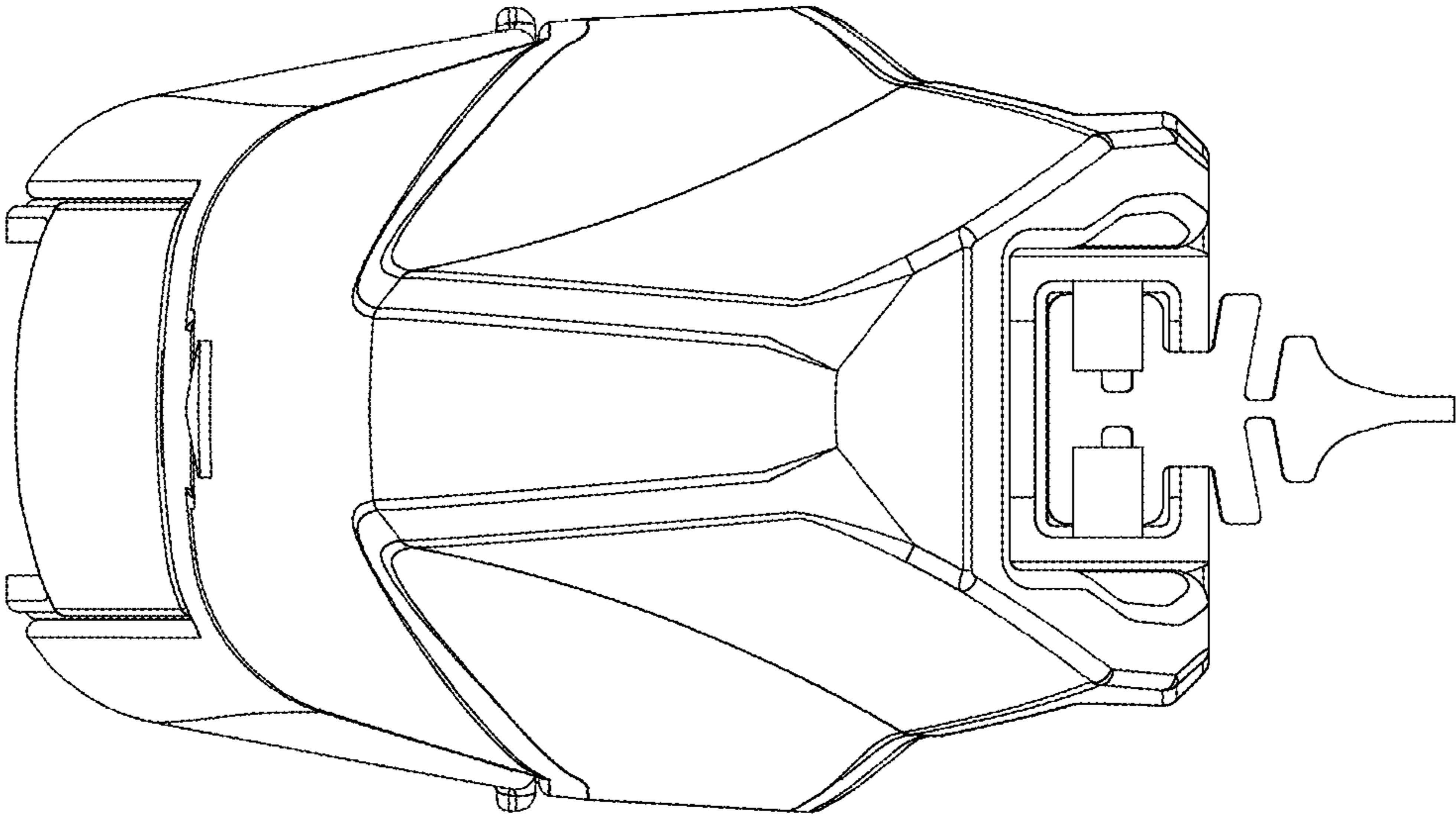


FIG. 6

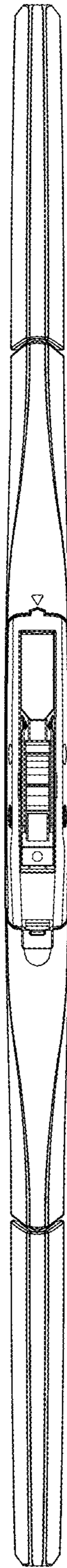


FIG. 7





FIG. 8

