



US00D789263S

(12) **United States Design Patent**
Webb

(10) **Patent No.:** **US D789,263 S**

(45) **Date of Patent:** **** Jun. 13, 2017**

(54) **SHIFT KNOB COVER**

(71) Applicant: **Pilot, Inc.**, City of Industry, CA (US)

(72) Inventor: **Scott Webb**, Los Angeles, CA (US)

(73) Assignee: **Pilot, Inc.**, City of Industry, CA (US)

(**) Term: **15 Years**

(21) Appl. No.: **29/552,240**

(22) Filed: **Jan. 21, 2016**

(51) **LOC (10) Cl.** **12-16**

(52) **U.S. Cl.**
USPC **D12/179**

(58) **Field of Classification Search**
USPC D12/16.1, 14, 114, 118, 121, 125, 174,
D12/179, 180, 203, 400, 415
CPC B64C 2201/024; B64C 2201/042; B64C
2201/146; B64C 2201/201; G05D 1/06;
B60P 1/00; B60P 3/00; B60T 7/00; B60T
8/265; B60T 83/255; B60T 11/00; B60T
11/103; B60T 13/00; B60T 13/66; B60T
17/223; B60T 2201/00; B60T 2201/03;
B60T 2260/00; B60T 2270/00; B60T
2270/82; B60T 2270/83; B60T 2270/84;
B60T 1/06; B62L 1/02; B62L 3/02; B62K
23/06; F16D 55/224; F16D 55/228; F16D
65/092; F16D 65/095; F16D 65/847;
F16D 65/12; B60K 2006/4841; B60K
2350/1048; B60K 2702/20; B60K 6/38;
B60Q 1/00; B60R 7/04; B62D 1/06;
F16B 3/04; F16H 2025/2071; F16H
59/02; G05G 1/00; G05G 1/04; G05G
1/06

See application file for complete search history.

(56) **References Cited**

U.S. PATENT DOCUMENTS

1,416,466 A * 5/1922 Higgins F16H 63/46
74/334
2,078,474 A * 4/1937 Watson F16H 63/46
74/473.23

D143,379 S * 12/1945 Wormley D7/613
D158,961 S * 6/1950 Hubenet D7/564
2,647,195 A * 7/1953 Broyles A63H 3/001
219/200
D263,521 S * 3/1982 Hill D3/15
4,782,872 A * 11/1988 Moschini B62D 1/06
74/558
D317,013 S * 5/1991 Andersen D17/13
D341,562 S * 11/1993 Minniefield D12/114
D356,011 S * 3/1995 Haggerty D7/516

(Continued)

OTHER PUBLICATIONS

Gear Shift Knob of King kong, image post date Oct. 15, 2015, site visited Oct. 6, 2016, (online), <<https://www.tineye.com/search/d5cf9fdb4737dd78d71b8412cbaaeaa2Ocbc7442/?pluginver=>>>.*

(Continued)

Primary Examiner — Kevin Rudzinski

Assistant Examiner — Sean D Lough

(74) *Attorney, Agent, or Firm* — Sheridan Ross P.C.

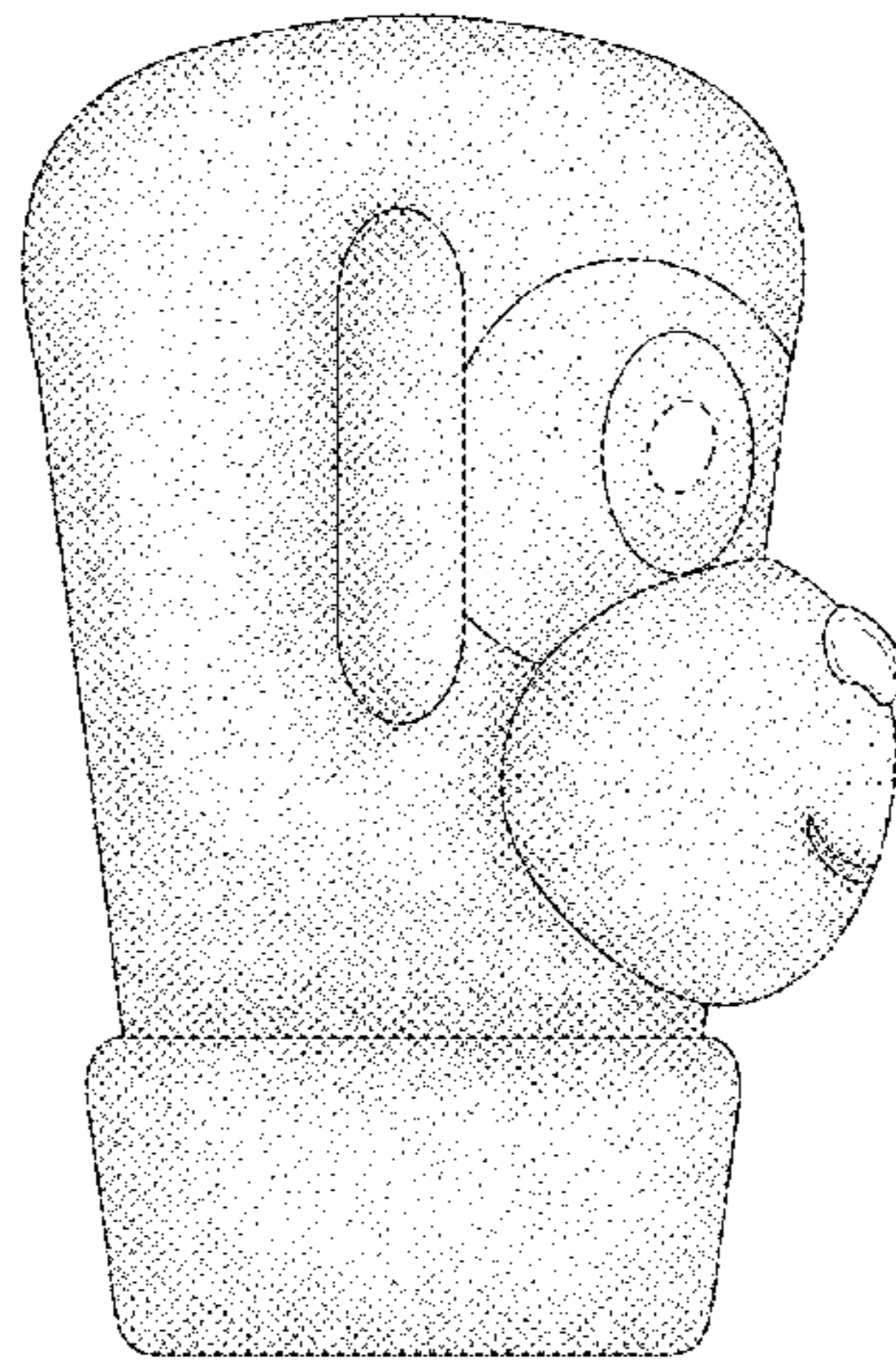
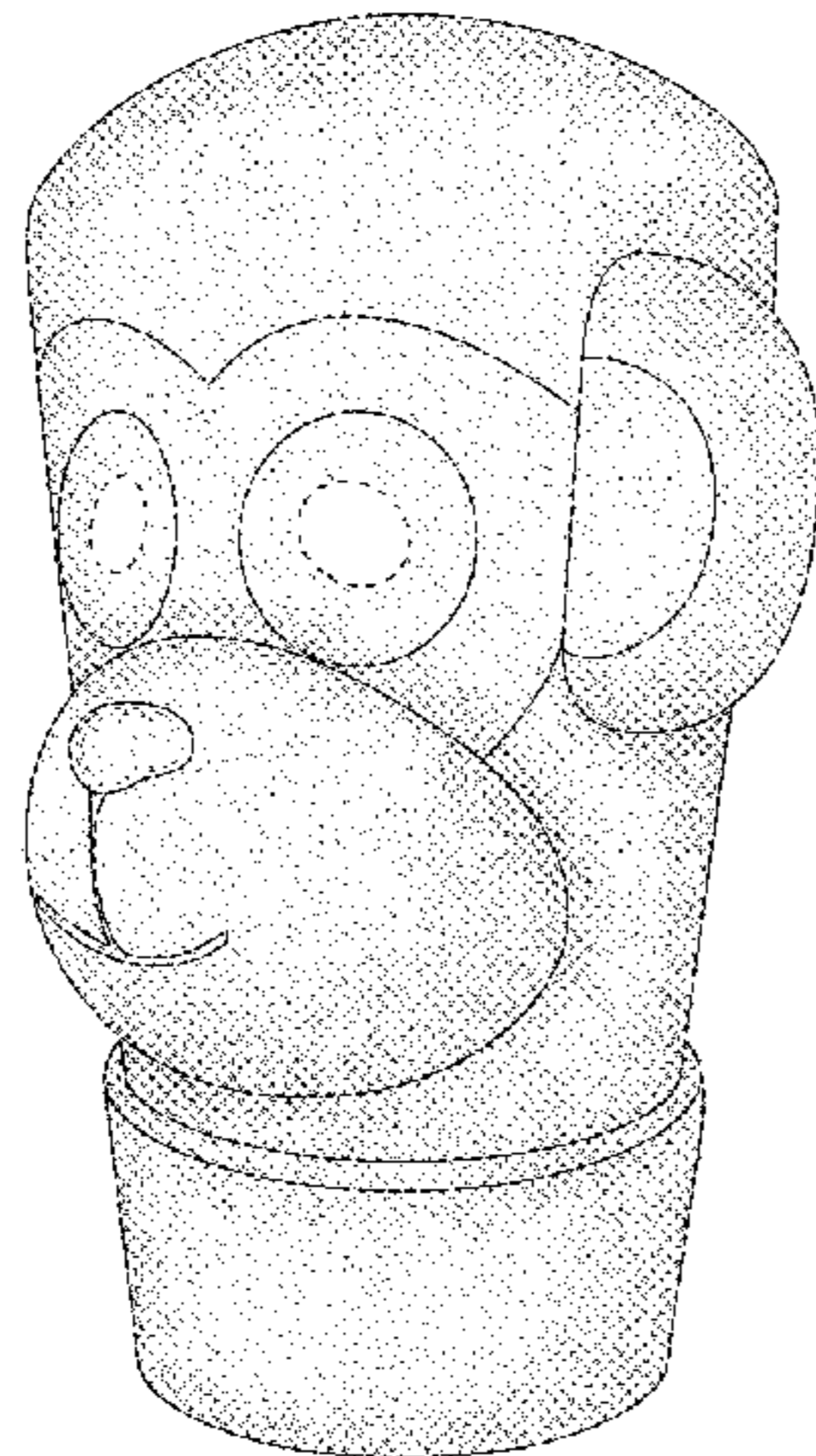
(57) **CLAIM**

The ornamental design for a shift knob cover, as shown and described.

DESCRIPTION

FIG. 1 is a perspective elevational view of a shift knob cover showing my new design;
FIG. 2 is a front elevational view thereof;
FIG. 3 is a rear elevation view thereof;
FIG. 4. is a right side elevation view thereof;
FIG. 5. is left side elevation view thereof;
FIG. 6 is a top plan view thereof; and,
FIG. 7 is a bottom plan view thereof.
The broken lines, where present, illustrate portions of the shift knob cover that represent environment of the claimed design, and form no part of the claimed design.

1 Claim, 7 Drawing Sheets



(56)

References Cited

U.S. PATENT DOCUMENTS

5,609,065 A * 3/1997 Brewer F16C 1/12
74/473.28
6,082,216 A * 7/2000 Watanabe F16H 59/0278
74/473.3
D428,792 S * 8/2000 Iacovelli D12/179
D442,845 S * 5/2001 Iacovelli D21/657
D448,151 S * 9/2001 Outlaw D3/15
D468,620 S * 1/2003 Lee D21/615
6,575,808 B1 * 6/2003 Wright A63H 3/14
446/321
D513,164 S * 12/2005 Hagan D8/300
6,971,943 B1 * 12/2005 Schulze A63H 3/14
446/175
D513,695 S * 1/2006 Baskauskas D8/305
D519,355 S * 4/2006 Bobjer D8/307
D528,914 S * 9/2006 Williams D9/434
7,227,965 B1 * 6/2007 Sutton A47G 9/1045
381/124
D646,028 S * 9/2011 Valle D30/160
D648,889 S * 11/2011 Feinberg D26/98
D738,246 S * 9/2015 McDonald D10/104.1
D742,556 S * 11/2015 Hwang D26/2
D746,042 S * 12/2015 Kerr D3/12
D761,480 S * 7/2016 Burris D26/99
D762,918 S * 8/2016 Fitzwater, II D26/142
2002/0062709 A1 * 5/2002 Suzuki F16H 59/02
74/523
2008/0098841 A1 * 5/2008 Vermeersch B22D 19/00
74/473.1
2010/0139435 A1 * 6/2010 Inagaki F16H 59/02
74/473.3
2011/0303045 A1 * 12/2011 Masumoto G05G 1/06
74/504
2013/0199326 A1 * 8/2013 Giefer F16H 59/10
74/473.15
2013/0340558 A1 * 12/2013 Kvarnstrom F16H 59/105
74/473.33

2014/0090278 A1 * 4/2014 Ricketts E01H 5/045
37/197
2014/0149008 A1 * 5/2014 Shibata F16H 63/42
701/58
2014/0224056 A1 * 8/2014 Beaufils B60T 7/102
74/473.19
2014/0345412 A1 * 11/2014 Wang F16H 59/105
74/473.21
2015/0033899 A1 * 2/2015 Geilsdorf G05G 1/04
74/490.15
2015/0198237 A1 * 7/2015 Smith, Jr. F16H 59/0278
74/473.3
2015/0362064 A1 * 12/2015 Nishijima G05G 1/06
74/473.3
2015/0375685 A1 * 12/2015 Krishnan B60N 3/103
296/24.34

OTHER PUBLICATIONS

Skull with LED Eyes Gear Knob, image post date Sep. 21, 2014, site visited Oct. 6, 2016, (online), <<https://tineye.com/search/a202ab3992b1c9d023bdca9f018ac5ce54a8f6af/?pluginver=>>>.*
25 of the Coolest Novelty Shift Knobs, image post date Jul. 18, 2015, site visited Oct. 6, 2016, (online), <<http://web.archive.org/web/20150718053440/http://worldofnovelty.com/25-of-the-coolest-novelty-shift-knobs/>>>.*
Best Gear Shift Products on Wanelo, image post date Jul. 5, 2015, site visited Oct. 6, 2016, (online), <<http://web.archive.org/web/20150705142009/http://wanelo.com/shop/gear-shift>>>.*
Hot Rod Shift Knobs, image post date Jan. 30, 2015, site visited Oct. 6, 2016, (online), <http://web.archive.org/web/20150130060419/http://laketravis.com/lake_travis/hot-rod-shift-knobs/>>.*
Customer Galley of Gear Shift Knobs, image post date Dec. 24, 2010, site visited Oct. 6, 2016, (online), <<http://web.archive.org/web/20101224011004/http://hotrodshiftknob.com/>>>.*

* cited by examiner

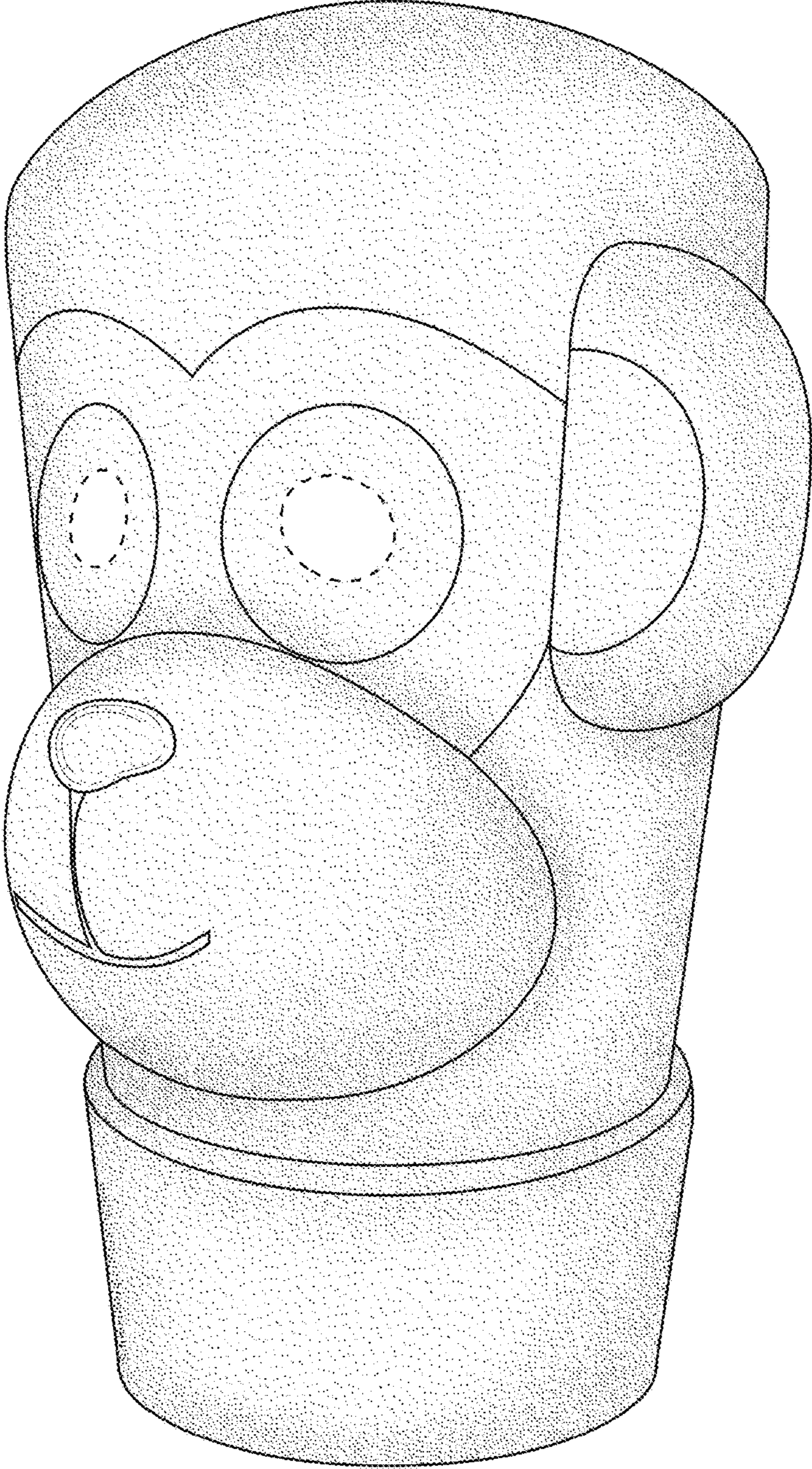


FIG. 1

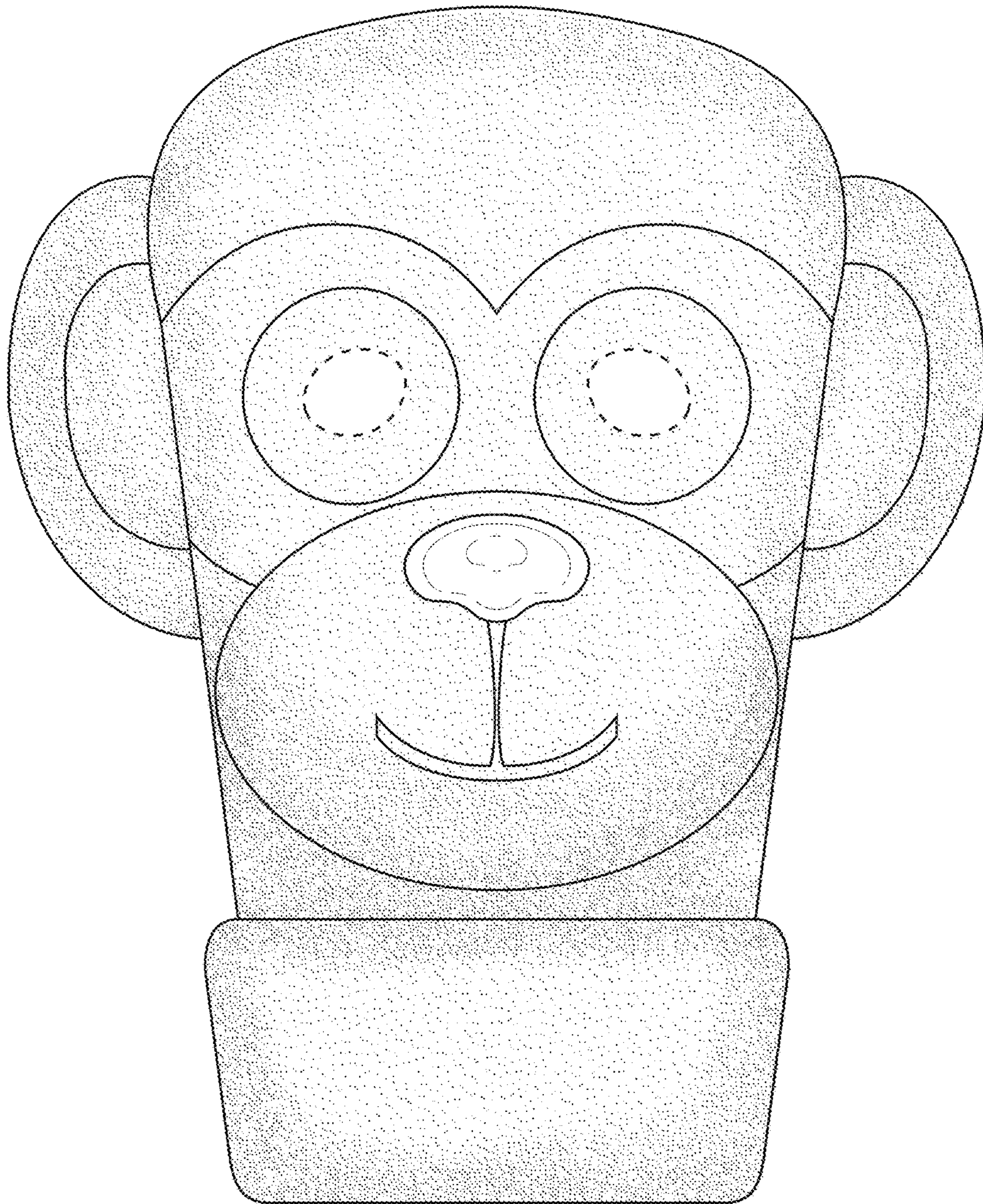


FIG. 2

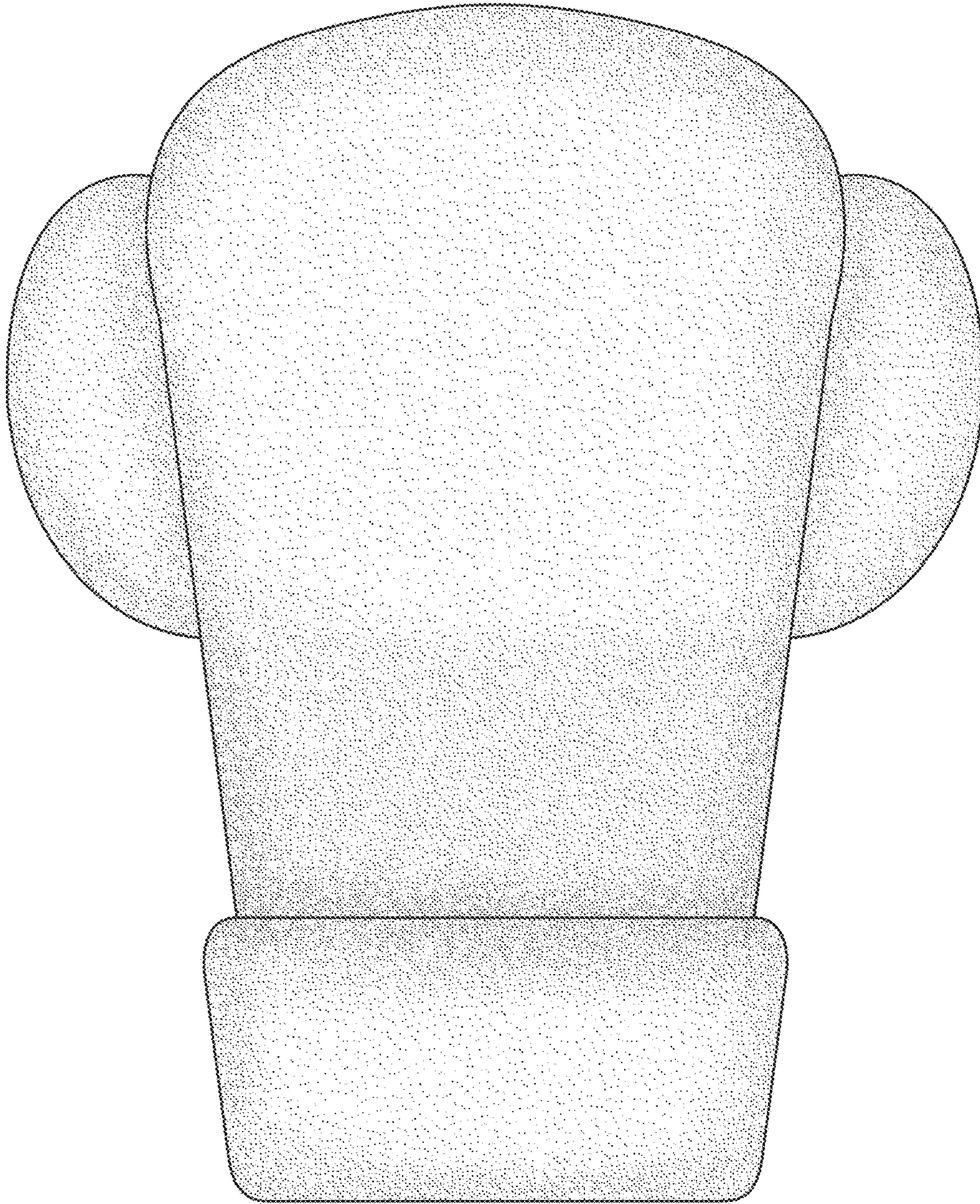


FIG. 3

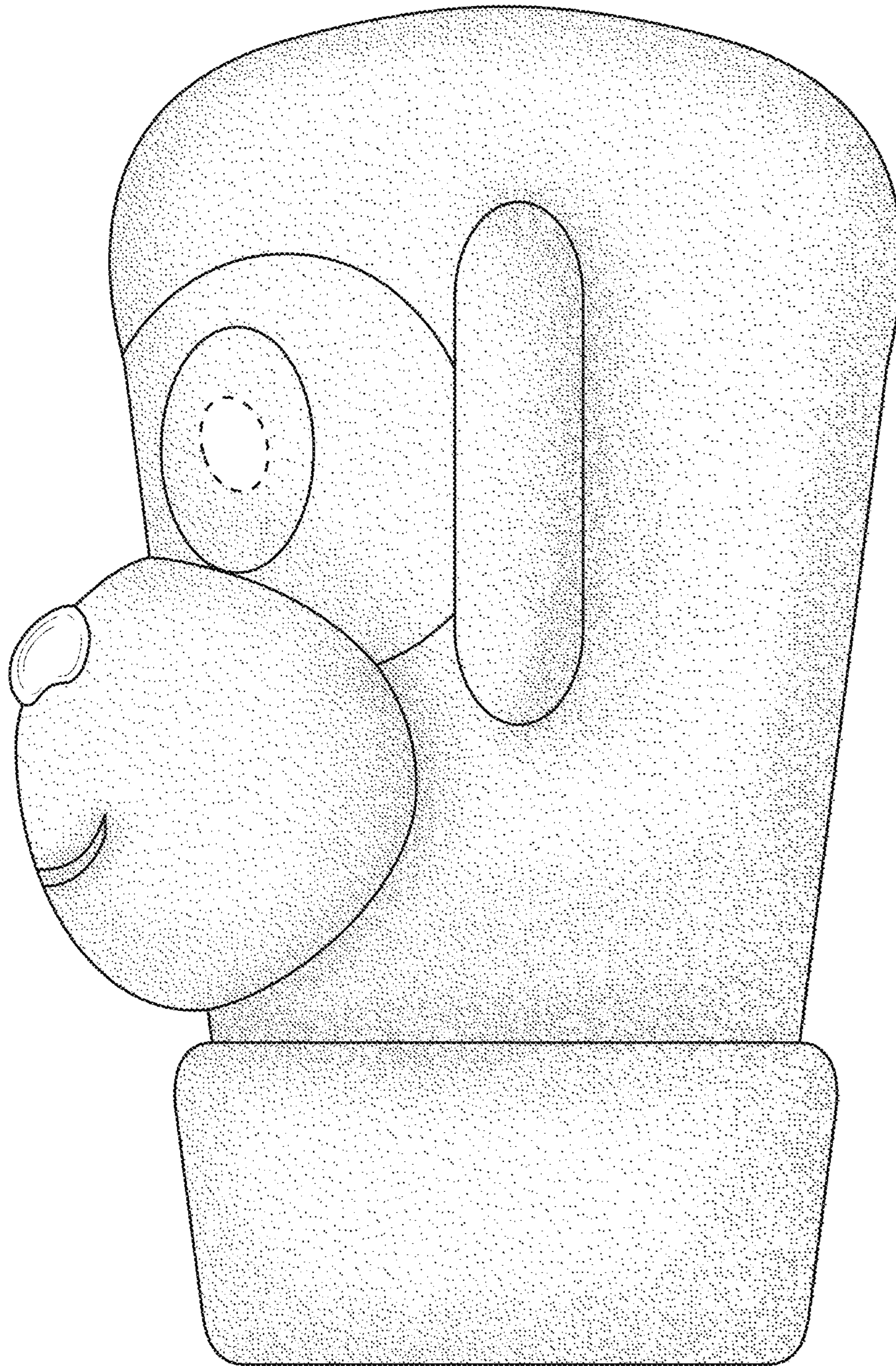


FIG. 4

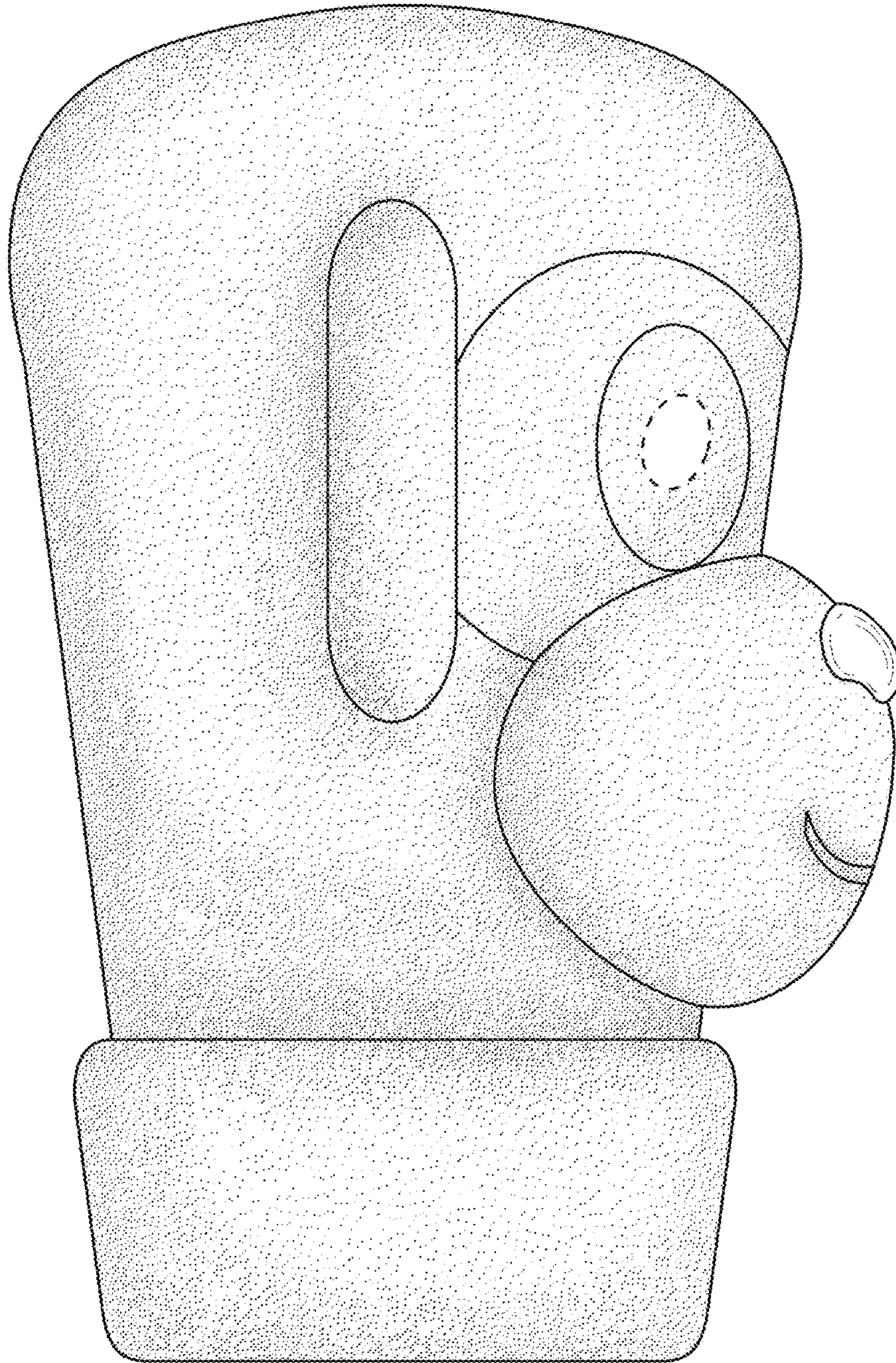


FIG. 5

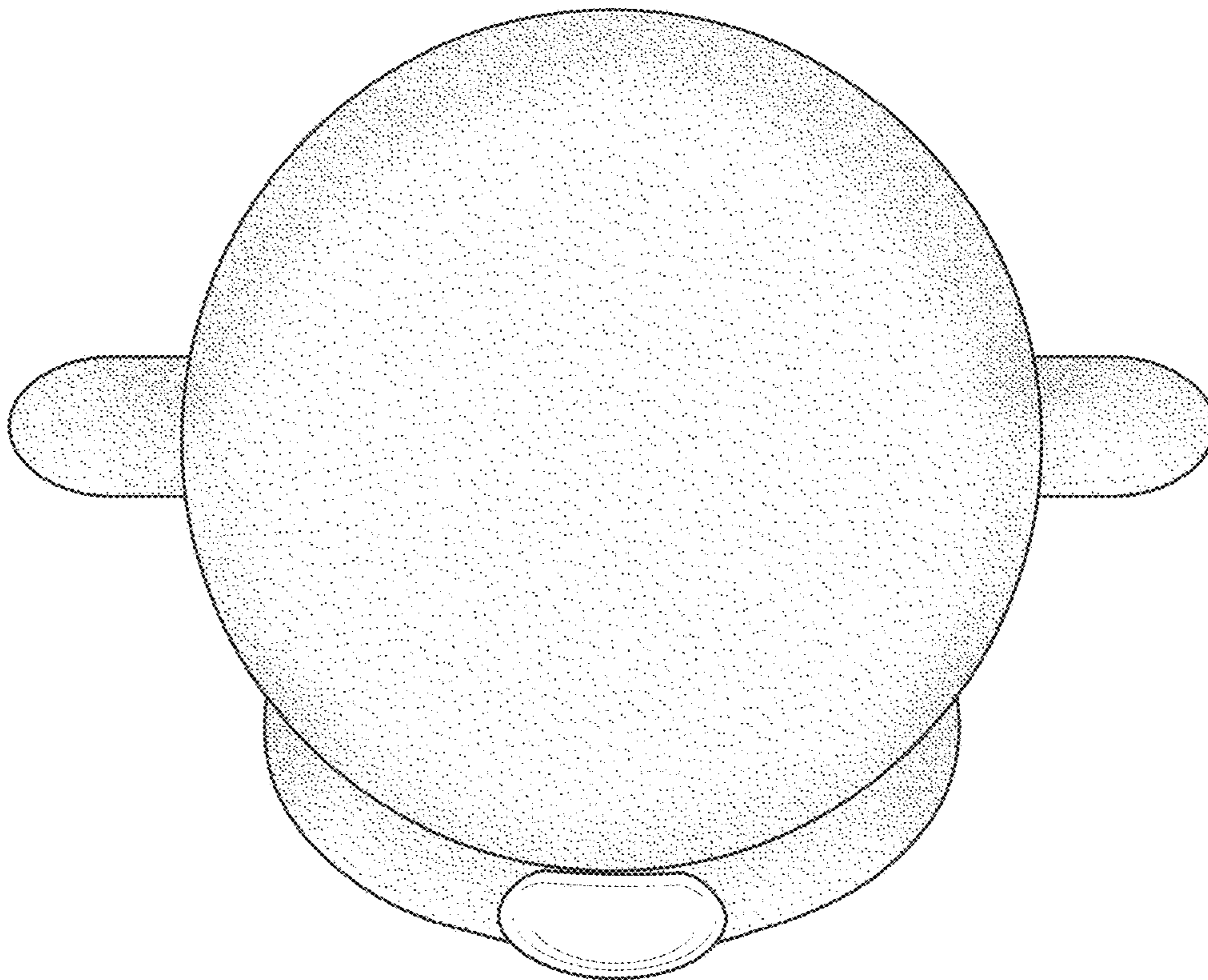


FIG. 6

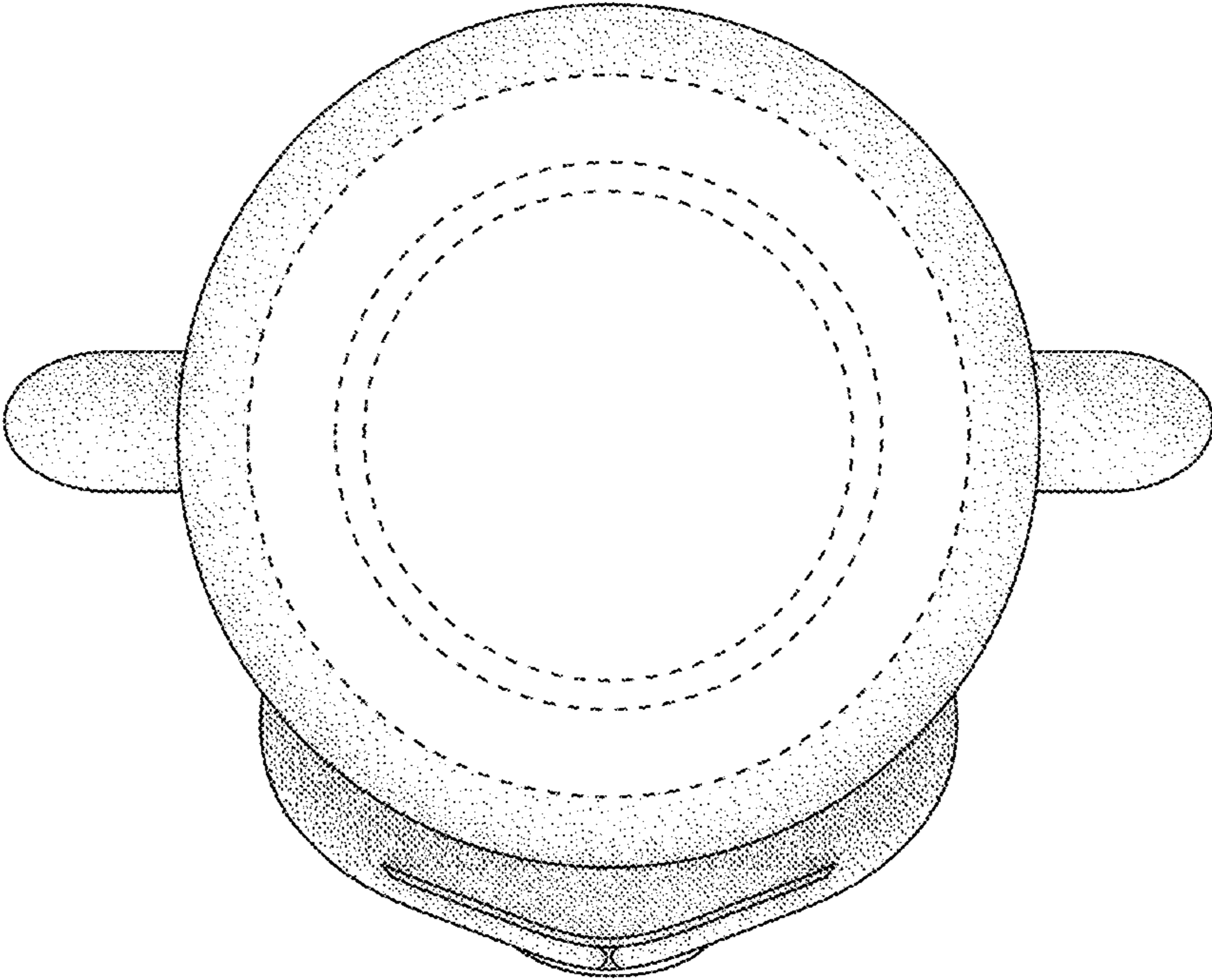


FIG. 7