

US00D789262S

(12) **United States Design Patent**
Chen

(10) **Patent No.:** **US D789,262 S**

(45) **Date of Patent:** **** Jun. 13, 2017**

(54) **STEERING WHEEL**

D644,580 S * 9/2011 Markowitz D12/176

(71) Applicant: **Feng Li Chen**, Alhambra, CA (US)

* cited by examiner

(72) Inventor: **Feng Li Chen**, Alhambra, CA (US)

Primary Examiner — Melody N Brown

(**) Term: **15 Years**

(74) *Attorney, Agent, or Firm* — Dunlap Bennett & Ludwig PLLC

(21) Appl. No.: **29/558,291**

(57) **CLAIM**

(22) Filed: **Mar. 16, 2016**

The ornamental design for a steering wheel, as shown and described.

(51) **LOC (10) Cl.** **12-16**

(52) **U.S. Cl.**
USPC **D12/176**

DESCRIPTION

(58) **Field of Classification Search**
USPC D12/175, 176; 74/552, 558, 558.5
CPC B60R 21/203; B60R 21/05; B62D 1/04
See application file for complete search history.

FIG. 1 is a perspective view of a steering wheel;
FIG. 2 is a top plan view of FIG. 1;
FIG. 3 is a bottom plan view of FIG. 1;
FIG. 4 is a front elevation view of FIG. 1;
FIG. 5 is a right elevation view of FIG. 1, the left elevation view being a mirror image thereof; and,
FIG. 6 is a rear elevation view of FIG. 1.

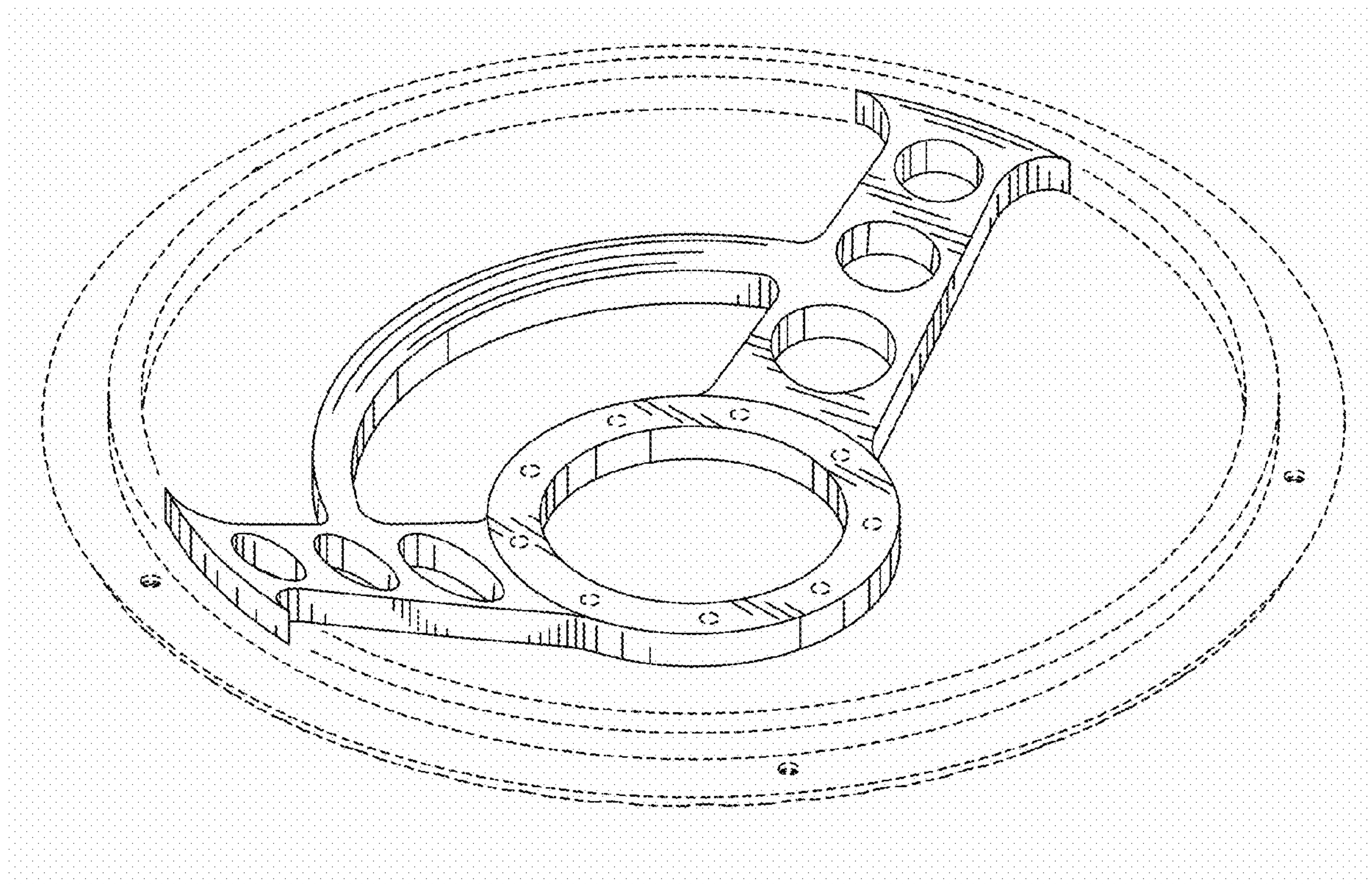
(56) **References Cited**

The broken lines shown in the drawings depict portions of the steering wheel that form no part of the claimed design.

U.S. PATENT DOCUMENTS

D171,163 S * 12/1953 Hoelzel D12/175
D494,516 S * 8/2004 Swan D12/176
D587,176 S * 2/2009 Yang D12/176

1 Claim, 4 Drawing Sheets



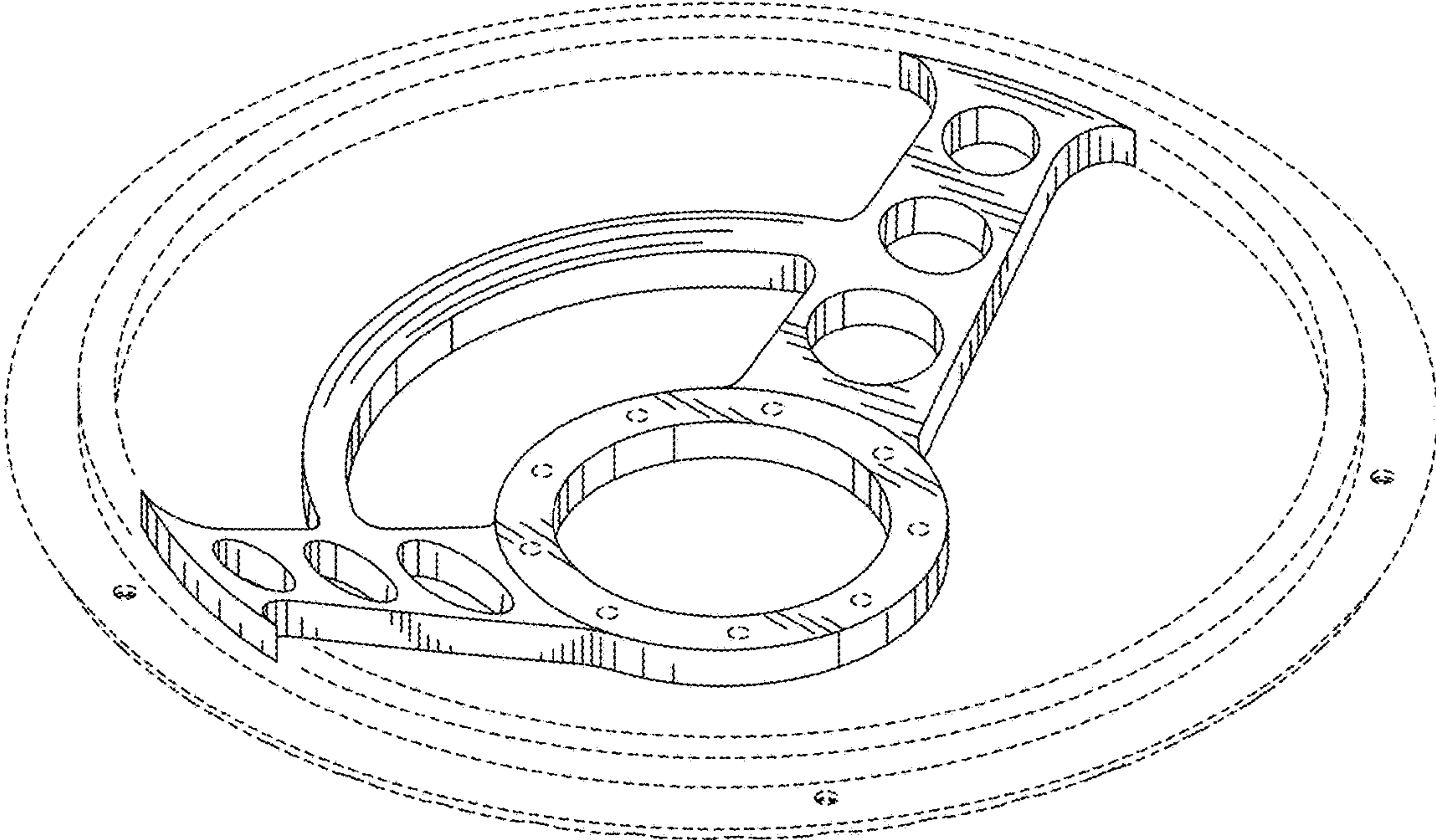


FIG.1

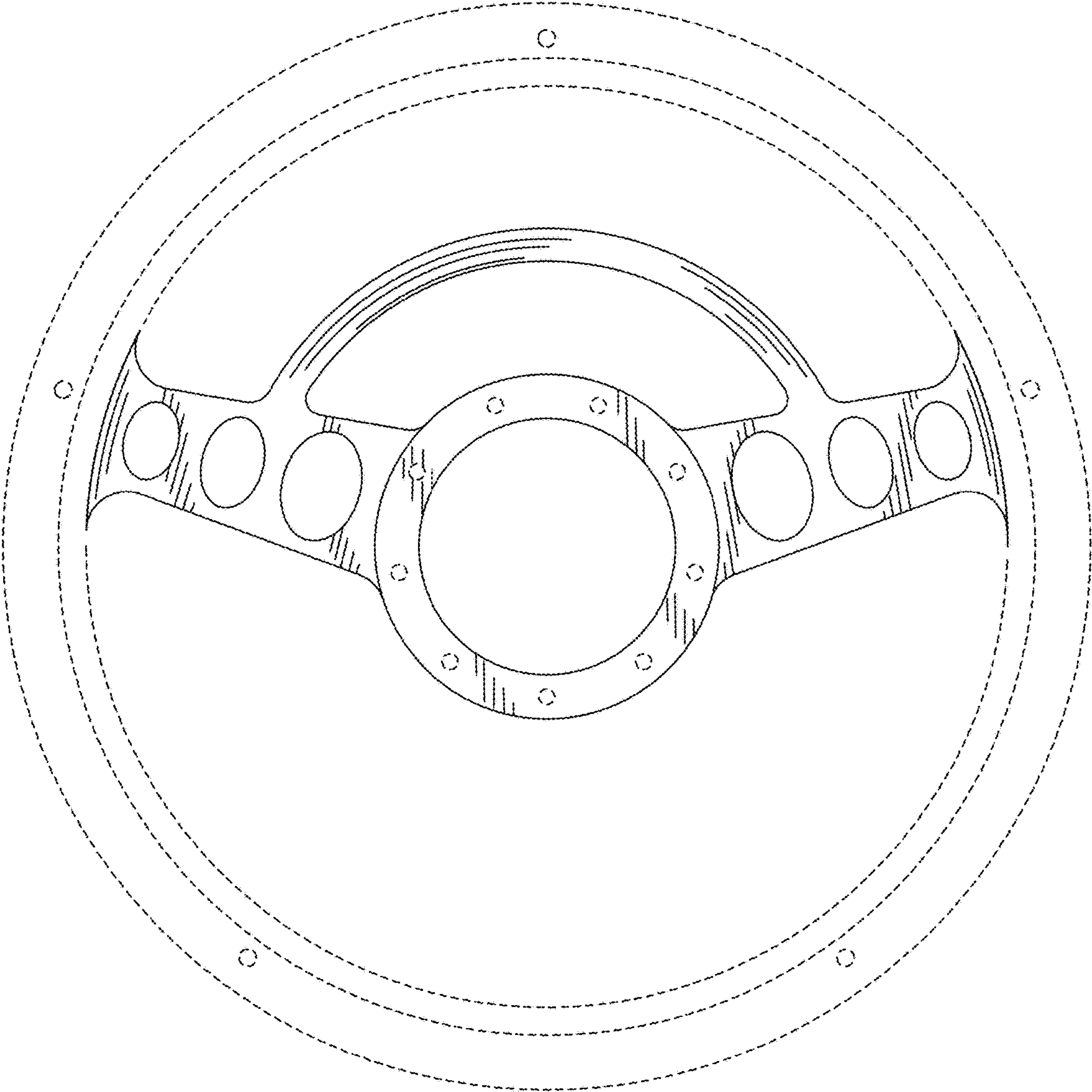


FIG.2

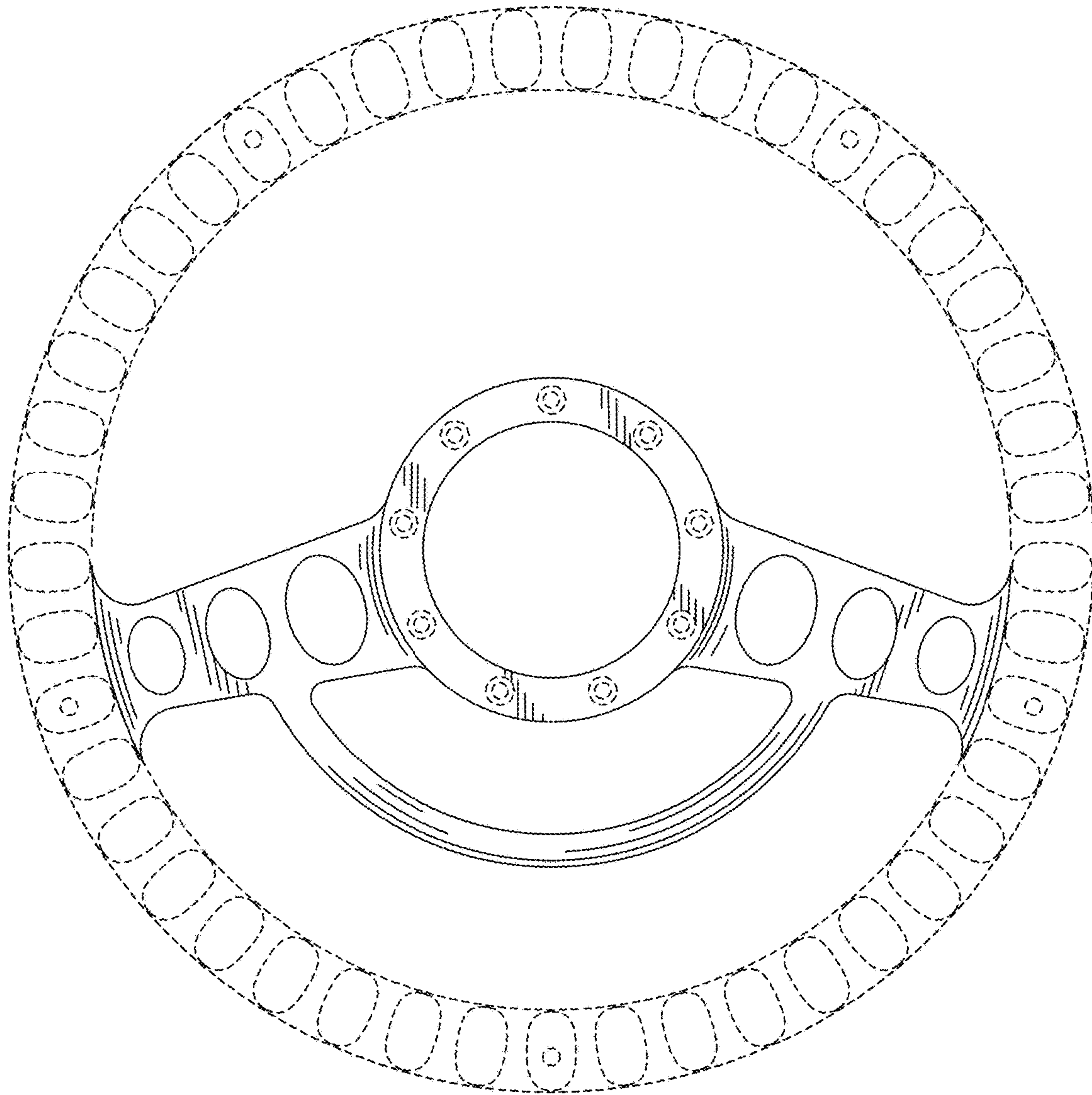


FIG.3

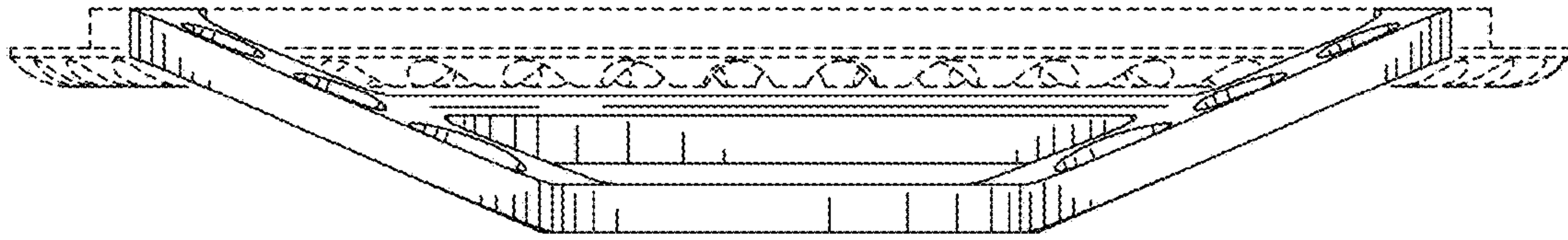


FIG. 4

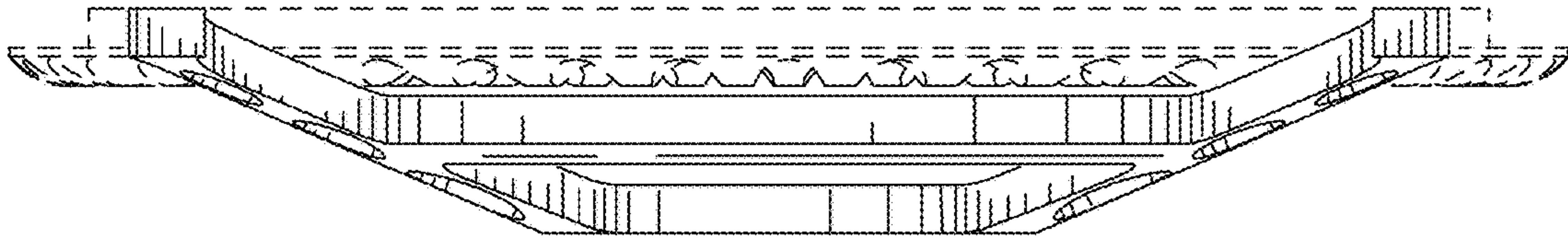


FIG. 5

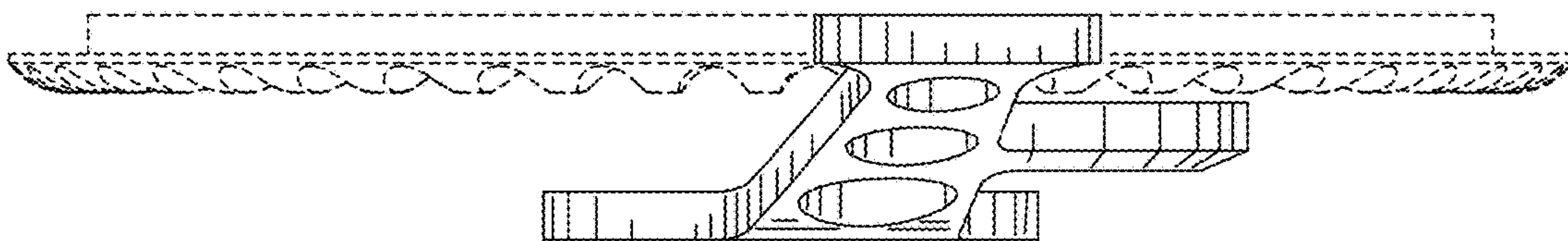


FIG. 6