



US00D789261S

(12) **United States Design Patent**
Goedecke

(10) **Patent No.:** **US D789,261 S**
(45) **Date of Patent:** **** Jun. 13, 2017**

(54) **STEERING WHEEL FOR A MOTOR VEHICLE**

D743,858 S * 11/2015 Sugiura D12/176
D743,860 S * 11/2015 Nagumo D12/176
D758,933 S * 6/2016 Owaku D12/176
D760,134 S * 6/2016 Montousse D12/176
D768,041 S * 10/2016 Turner D12/176

(71) Applicant: **Dr. Ing. h.c.F. Porsche**
Aktiengesellschaft, Stuttgart (DE)

* cited by examiner

(72) Inventor: **Morten Goedecke, Stuttgart (DE)**

Primary Examiner — Melody N Brown

(73) Assignee: **Dr. Ing. h.c.F. Porsche**
Aktiengesellschaft (DE)

(74) *Attorney, Agent, or Firm* — Gerald E. Hespos;
Michael J. Porco; Matthew T. Hespos

(**) Term: **15 Years**

(21) Appl. No.: **29/545,983**

(57) **CLAIM**

(22) Filed: **Nov. 18, 2015**

The ornamental design of a steering wheel for a motor vehicle, as shown and described.

(30) **Foreign Application Priority Data**

May 19, 2015 (DE) 40 2015 100 465

(51) **LOC (10) Cl.** **12-16**

(52) **U.S. Cl.**
USPC **D12/176**

(58) **Field of Classification Search**
USPC D12/175, 176; 74/552, 558, 558.5
CPC B60R 21/203; B60R 21/05; B62D 1/04
See application file for complete search history.

DESCRIPTION

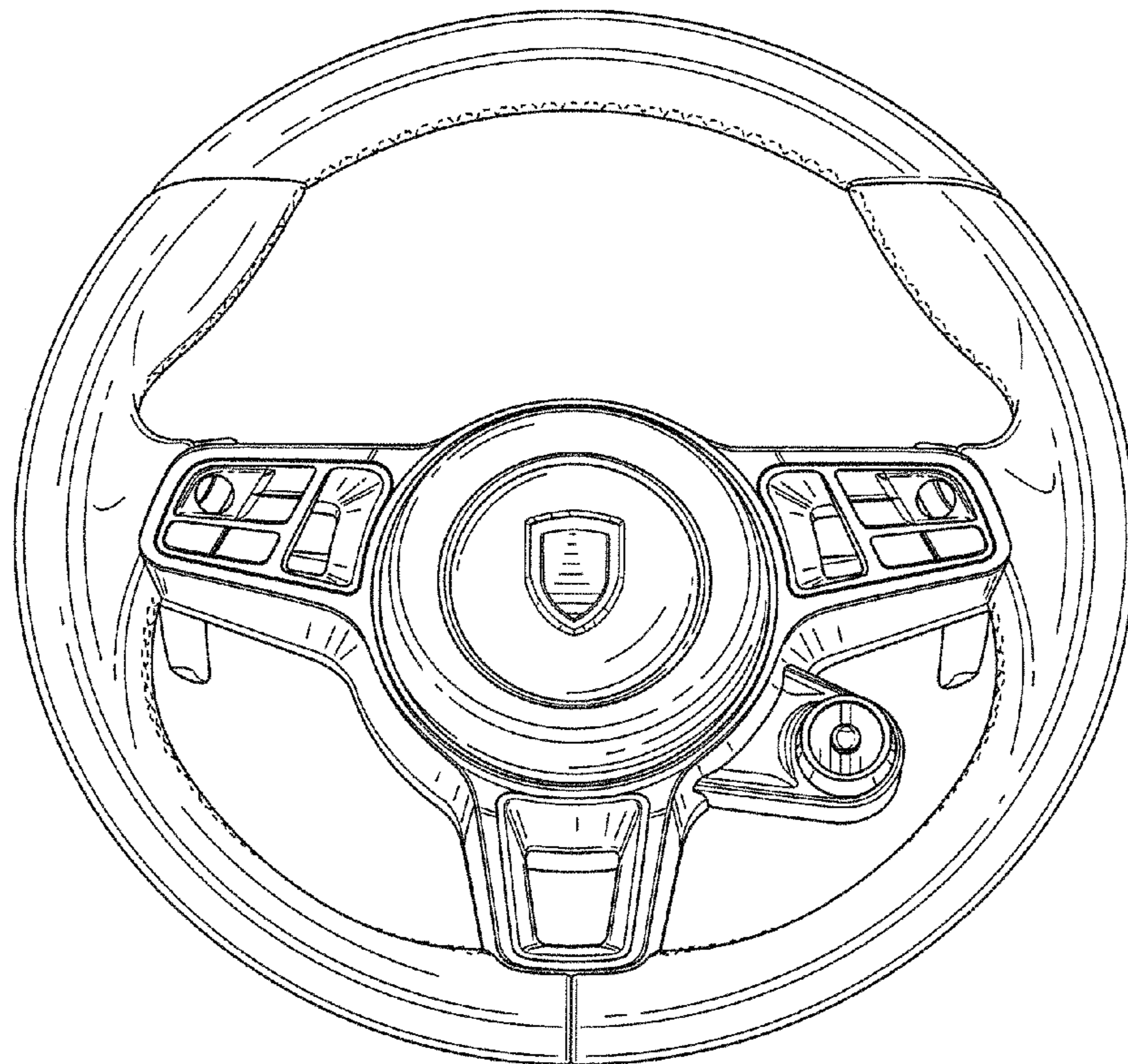
FIG. 1 is a front and side perspective of a steering wheel for a motor vehicle in accordance with my design;
FIG. 2 is a front elevational view thereof;
FIG. 3 is a rear elevational view thereof;
FIG. 4 is a side elevational view taken from the right side in FIG. 1;
FIG. 5 is a side elevational view taken from the left side in FIG. 1;
FIG. 6 is a top plan view thereof; and,
FIG. 7 is a bottom plan view thereof.

(56) **References Cited**

U.S. PATENT DOCUMENTS

D696,992 S * 1/2014 Pohanka D12/176
D706,187 S * 6/2014 Tilscher D12/176

1 Claim, 6 Drawing Sheets



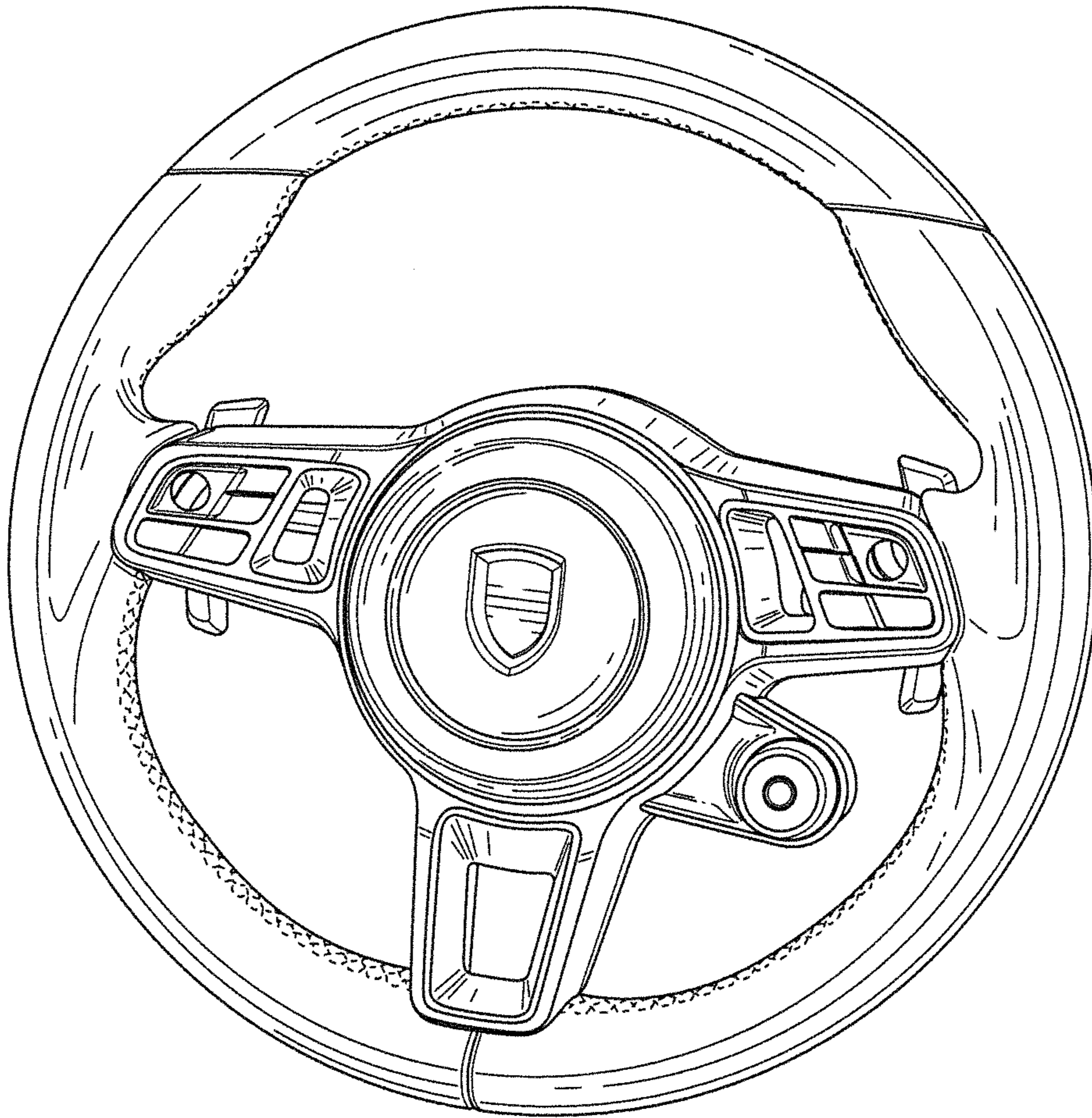


FIG. 1

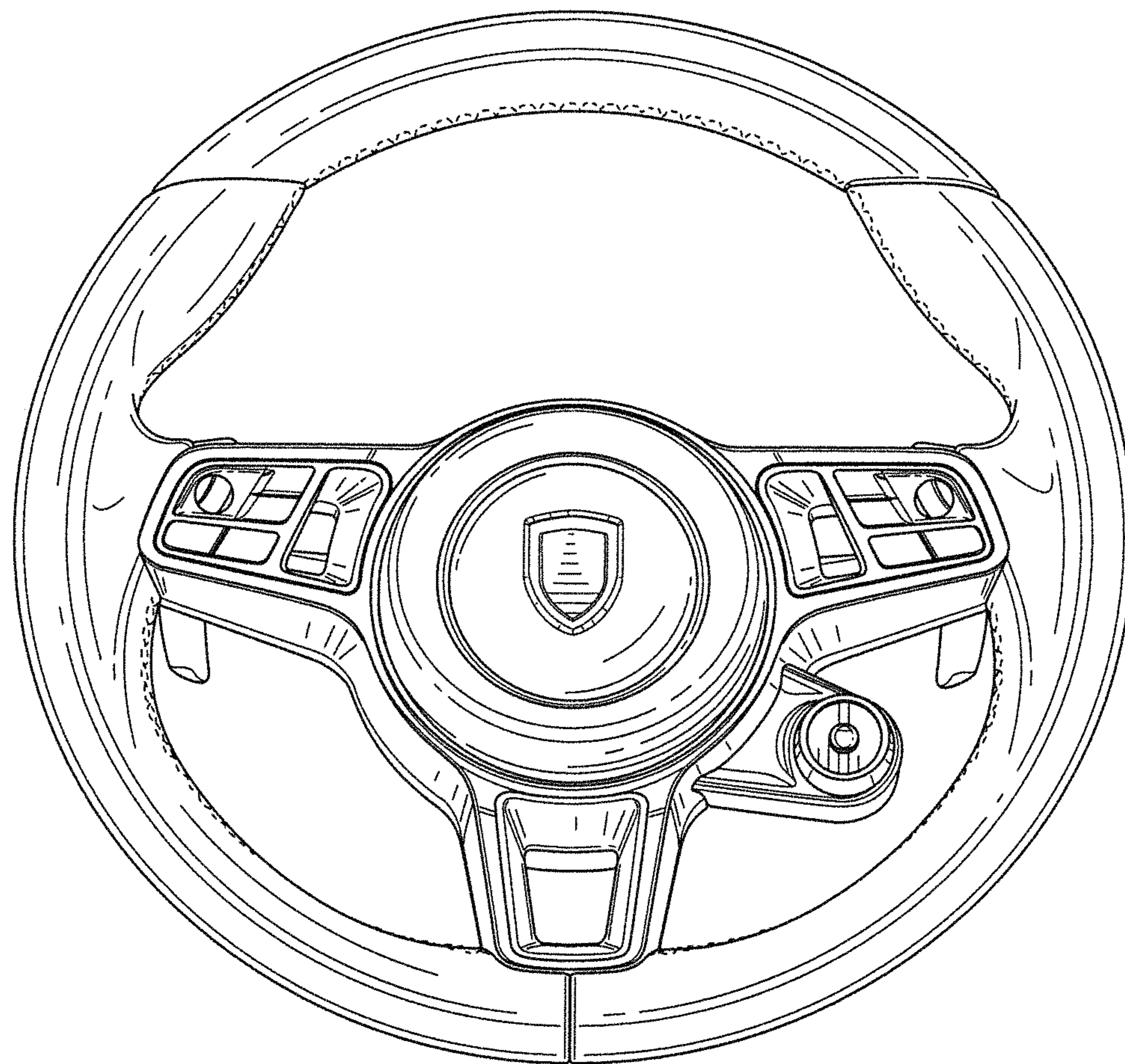


FIG. 2

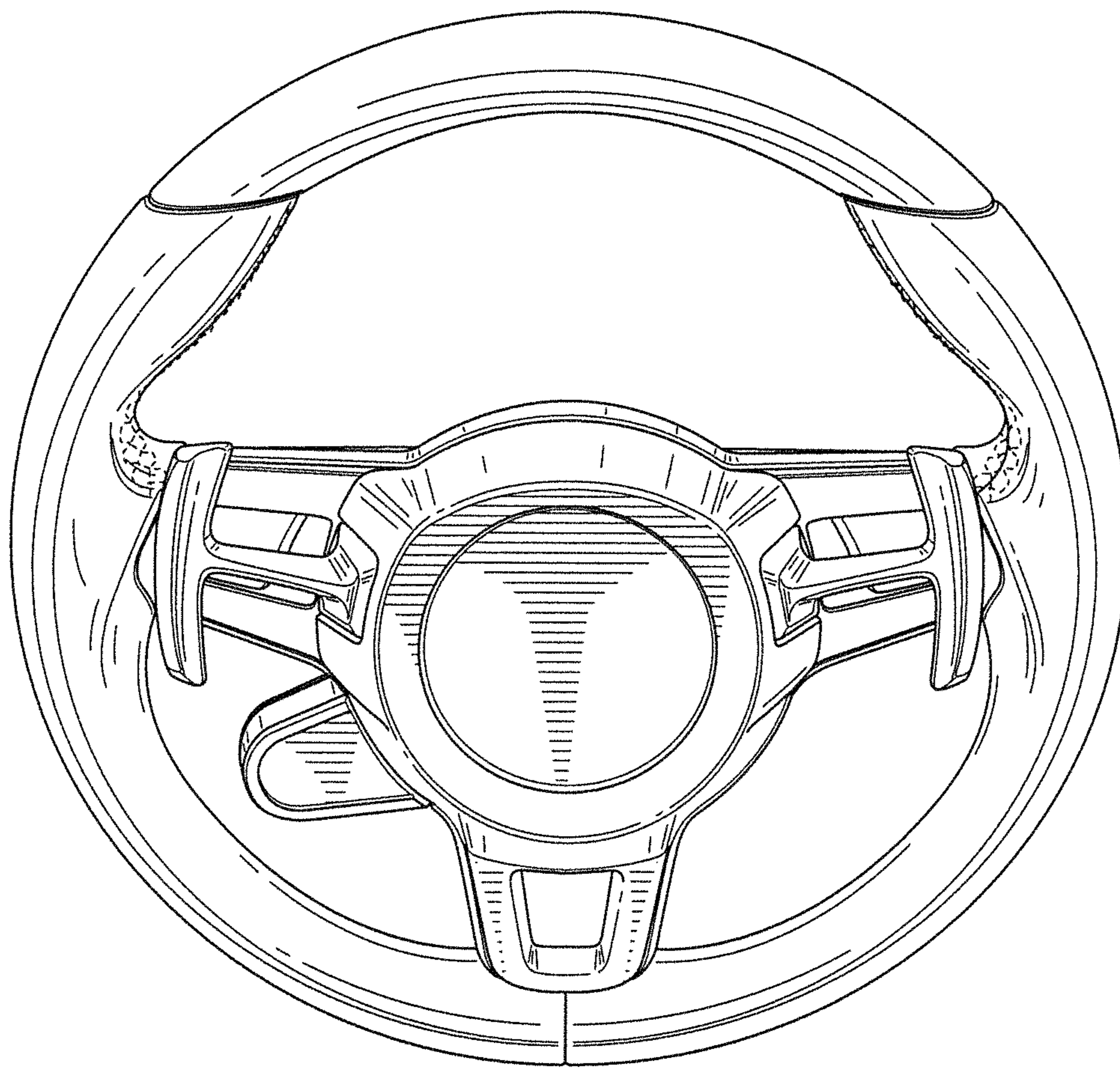


FIG. 3

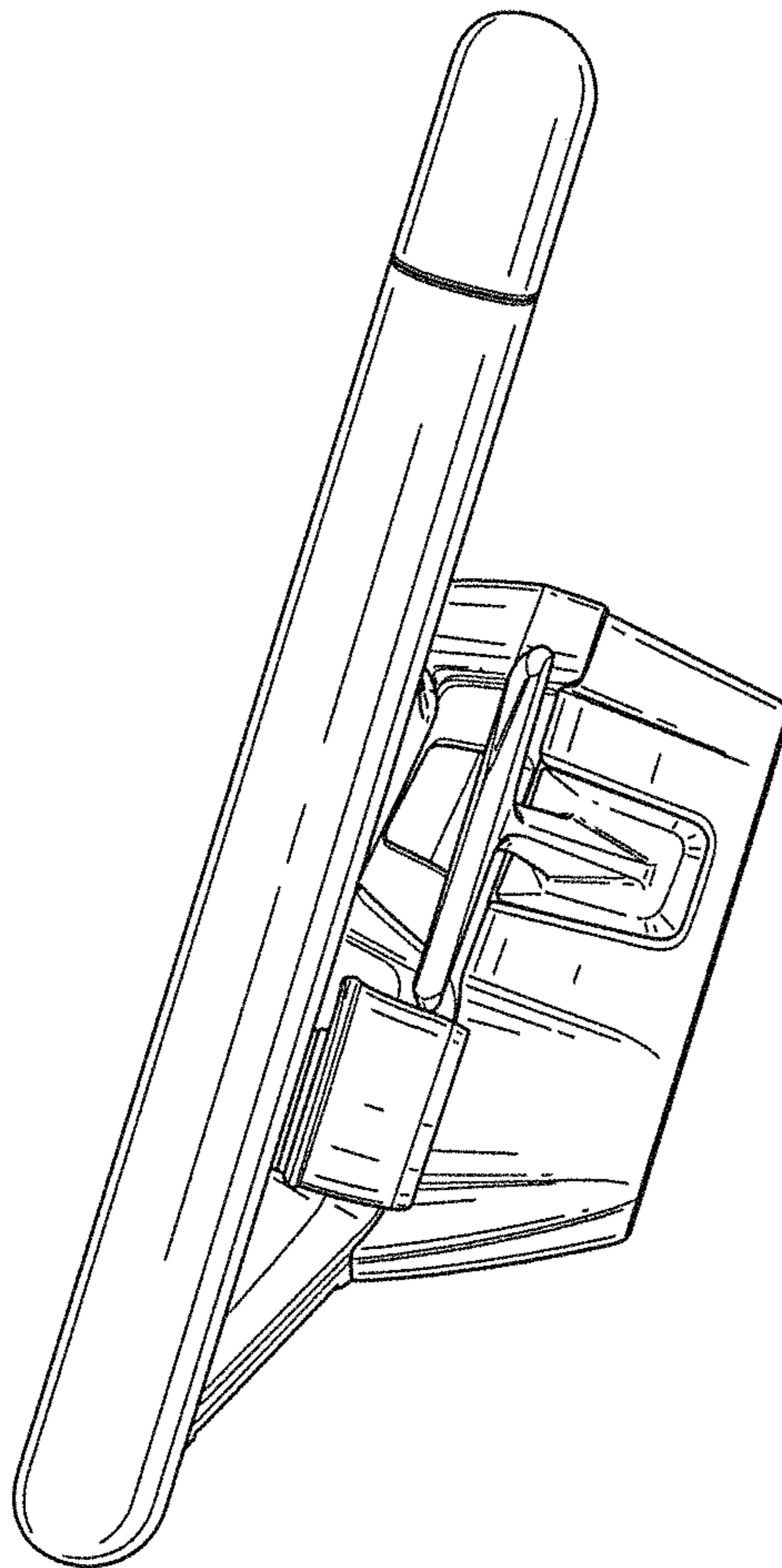


FIG. 4

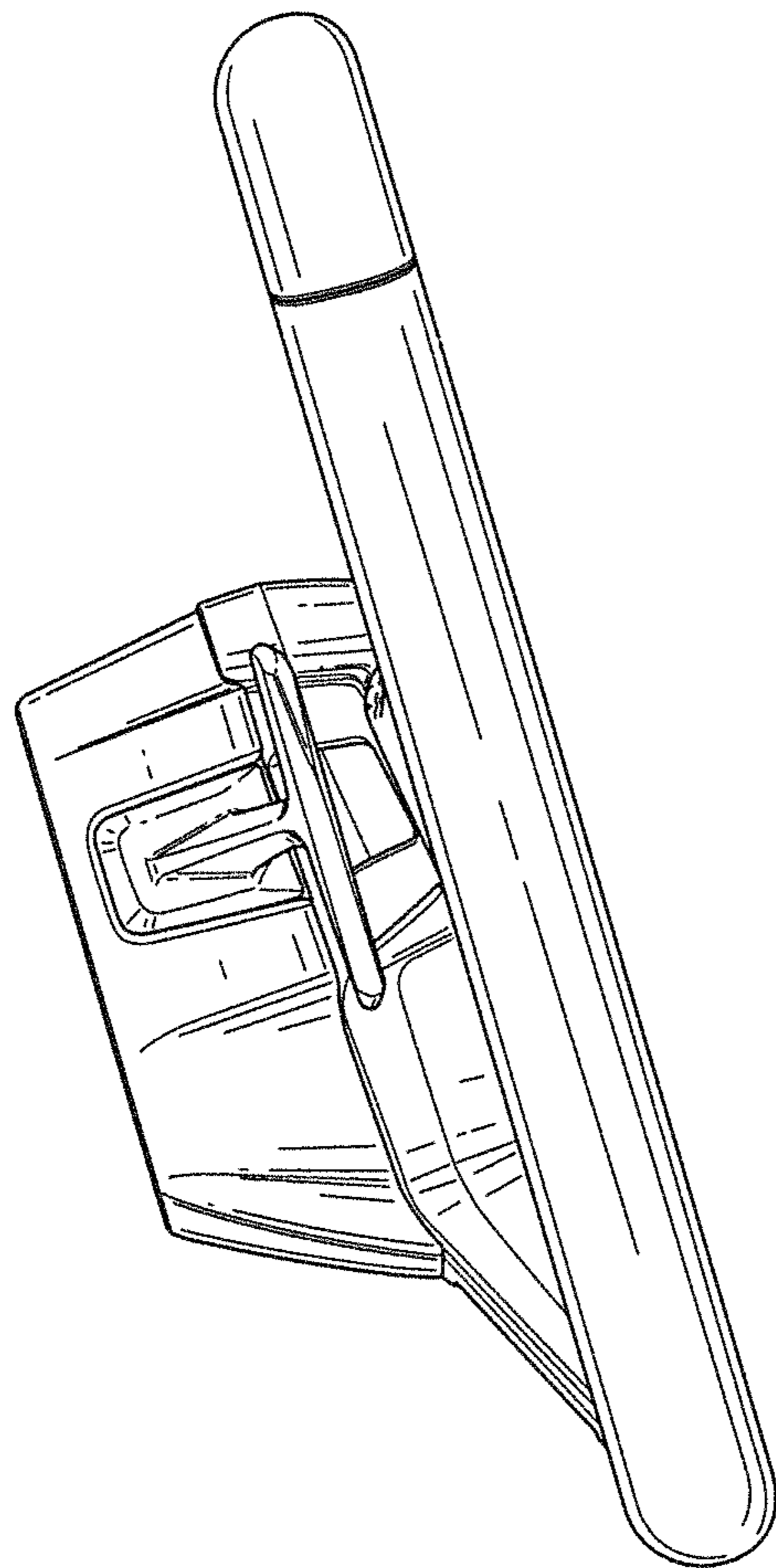


FIG. 5

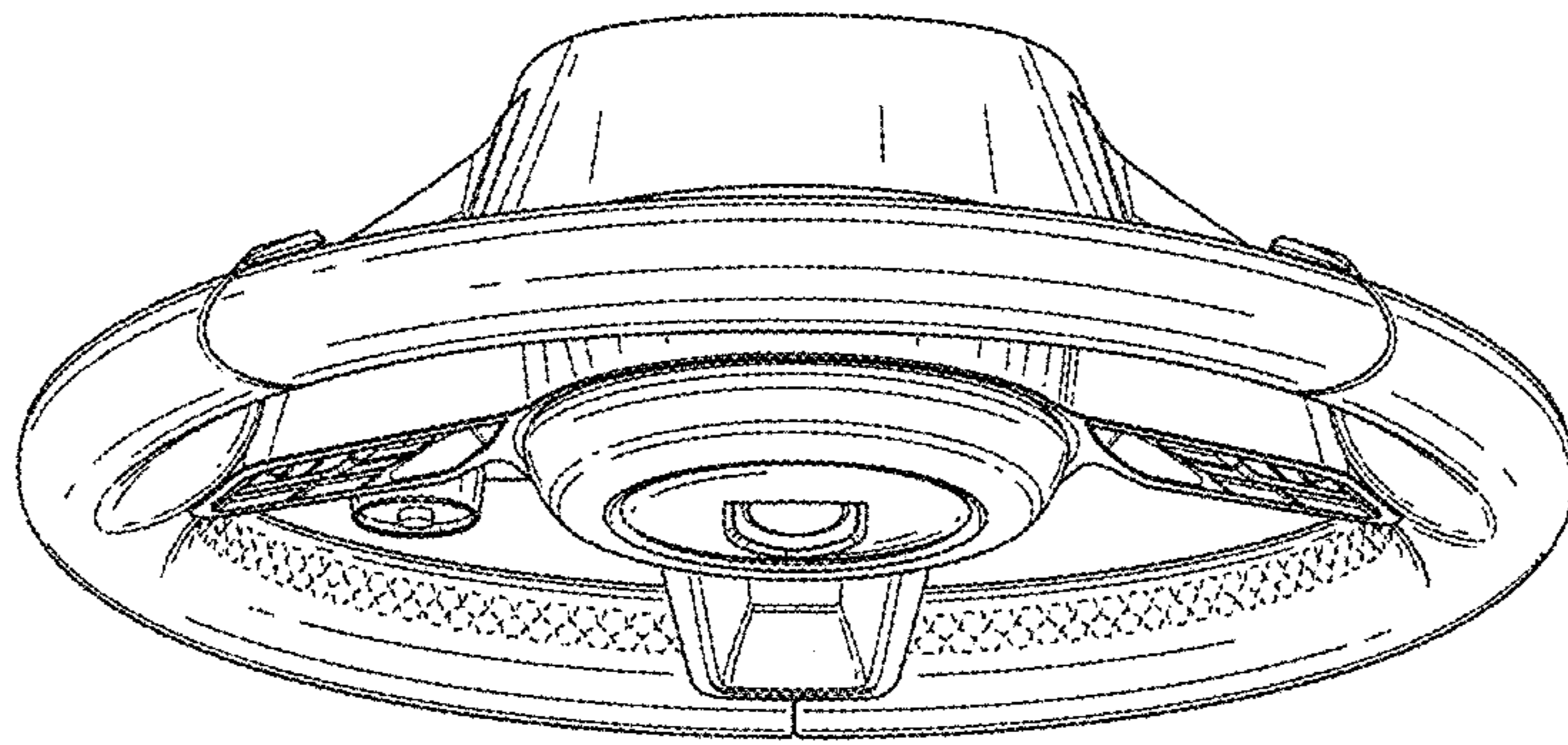


FIG. 6

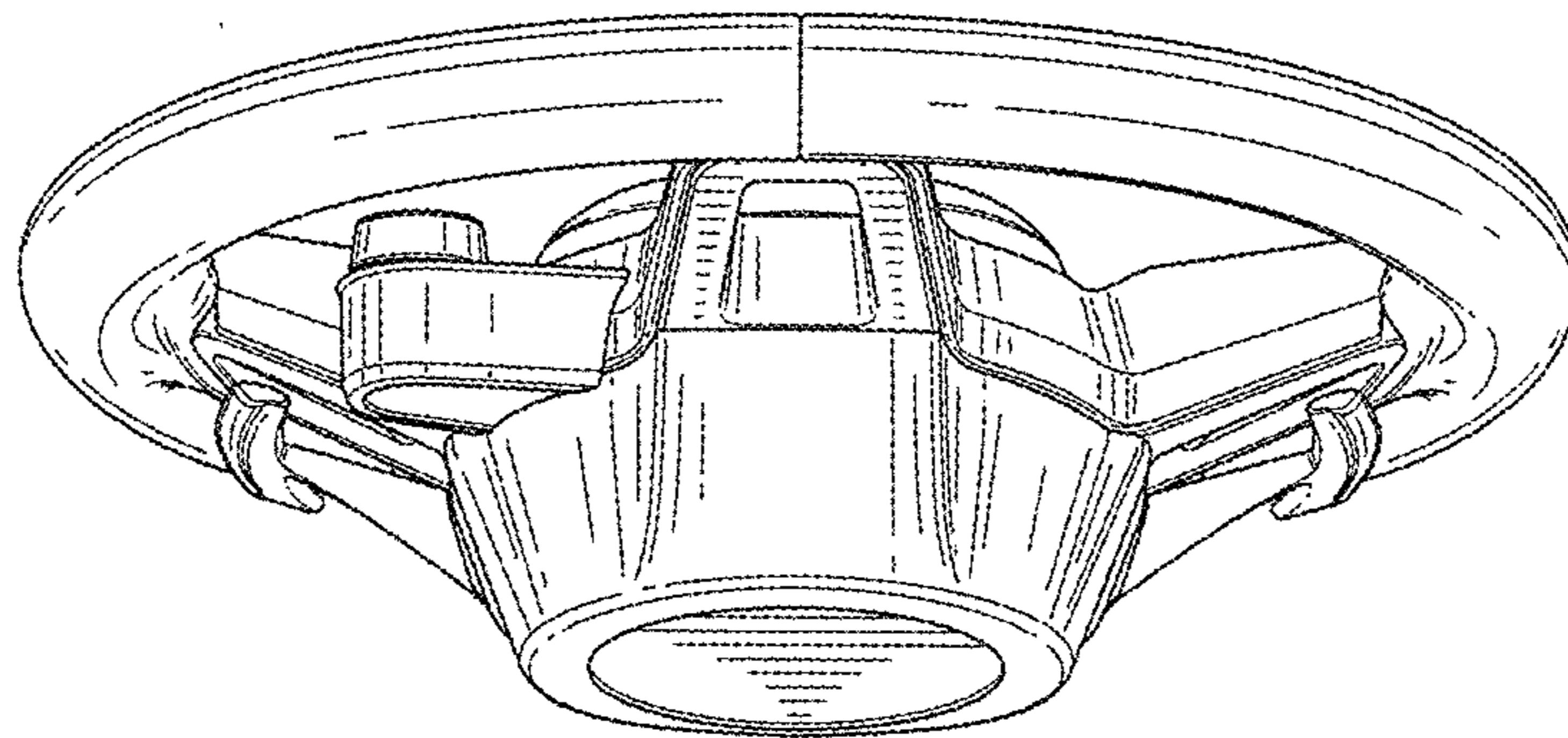


FIG. 7