



US00D789259S

(12) **United States Design Patent** (10) **Patent No.:** **US D789,259 S**  
**Seo** (45) **Date of Patent:** **\*\* Jun. 13, 2017**

(54) **REAR BUMPER FOR AN AUTOMOBILE**

(71) Applicant: **Nissan Motor Co., Ltd.**, Yokohama, Kanagawa (JP)

(72) Inventor: **Kuniharu Seo**, Kanagawa (JP)

(73) Assignee: **Nissan Motor Co., Ltd.**, Yokohama (JP)

(\*\*) Term: **15 Years**

(21) Appl. No.: **29/568,906**

(22) Filed: **Jun. 22, 2016**

(30) **Foreign Application Priority Data**

Dec. 23, 2015 (JP) ..... 2015-028617

(51) **LOC (10) Cl.** ..... **12-16**

(52) **U.S. Cl.**  
USPC ..... **D12/169**

(58) **Field of Classification Search**  
USPC ..... D12/86, 90, 91, 92, 163, 164, 169, 171,  
D12/196, 216; 180/68.4, 68.6; 293/102,  
293/112, 113, 115, 117, 120; 296/180.1,  
296/180.2

CPC ..... B60R 19/02; B60R 19/18; B60R 19/24;  
B60R 19/56; B60R 2019/007

See application file for complete search history.

(56) **References Cited**

U.S. PATENT DOCUMENTS

D545,734 S \* 7/2007 Kono ..... D12/169  
D583,723 S \* 12/2008 Murakami ..... D12/169  
D628,945 S 12/2010 Ino et al.  
D637,535 S 5/2011 Yukawa et al.  
D640,613 S \* 6/2011 Bauer ..... D12/169  
D675,140 S 1/2013 Ohkoshi  
D680,039 S 4/2013 Okamoto et al.

D683,282 S 5/2013 Fuchigami  
D683,283 S 5/2013 Choi  
D683,285 S \* 5/2013 Yoshida ..... D12/169  
D684,905 S \* 6/2013 Tase ..... D12/169  
D692,808 S \* 11/2013 Morioka ..... D12/169

(Continued)

FOREIGN PATENT DOCUMENTS

EP 002562074-0003 10/2015  
EP 002581132-0003 11/2015

(Continued)

*Primary Examiner* — Darlington Ly

(74) *Attorney, Agent, or Firm* — Global IP Counselors, LLP

(57) **CLAIM**

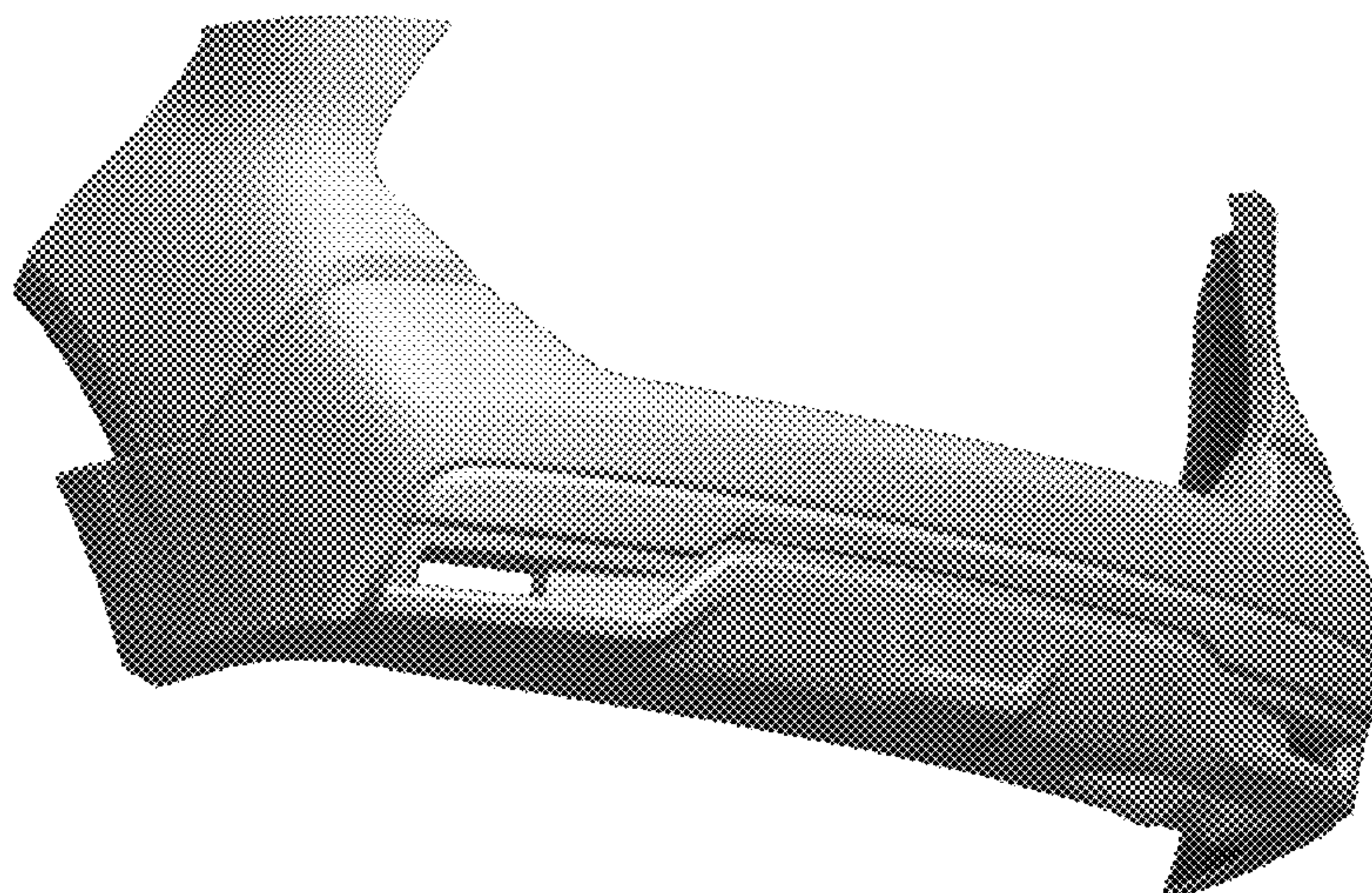
The ornamental design for a rear bumper for an automobile, as shown and described.

**DESCRIPTION**

FIG. 1 is a front elevational view of a rear bumper for an automobile in accordance with my new design;  
FIG. 2 is a top plan view of the rear bumper in accordance with my new design of FIG. 1;  
FIG. 3 is a bottom plan view of the rear bumper in accordance with my new design of FIGS. 1 to 2;  
FIG. 4 is a right side elevational view of the rear bumper in accordance with my new design of FIGS. 1 to 3;  
FIG. 5 is a left side elevational view of the rear bumper in accordance with my new design of FIGS. 1 to 4;  
FIG. 6 is a front, right and top side perspective view of the rear bumper in accordance with my new design of FIGS. 1 to 5; and,  
FIG. 7 is a front, left and bottom side perspective view of the rear bumper in accordance with my new design of FIGS. 1 to 6.

The back side and interior facing surfaces of the rear bumper for an automobile, of which are visible in FIGS. 2, 6, and 7 as darken areas, do not form part of the claimed design.

**1 Claim, 7 Drawing Sheets**



(56)

References Cited

U.S. PATENT DOCUMENTS

D702,160 S \* 4/2014 Miyazawa ..... D12/169  
 D705,140 S \* 5/2014 Kawasaki ..... D12/169  
 D712,802 S \* 9/2014 Scheinhuetter ..... D12/169  
 D713,766 S \* 9/2014 Katou ..... D12/169  
 D724,504 S \* 3/2015 Hall ..... D12/169  
 D745,838 S 12/2015 Yamamoto  
 D773,354 S \* 12/2016 Liu ..... D12/169  
 D773,966 S \* 12/2016 Choi ..... D12/169  
 D779,395 S \* 2/2017 Horie ..... D12/169  
 2008/0036222 A1\* 2/2008 Iwamoto ..... F01N 13/082  
 293/113  
 2008/0073929 A1\* 3/2008 Kimura ..... B60J 5/101  
 296/57.1

FOREIGN PATENT DOCUMENTS

JP D1432460 S 1/2012  
 JP D1446850 S 7/2012  
 JP D1431647 S 1/2013  
 JP D1465081 S 3/2013  
 JP D1479613 S 9/2013  
 JP D1483767 S 11/2013  
 JP D1483833 S 11/2013  
 JP D1484965 S 11/2013  
 JP D1480997 S 1/2014

JP D1489383 S 2/2014  
 JP D1472543 S 6/2014  
 JP D1499545 S 6/2014  
 JP D1499953 S 6/2014  
 JP D1446731 S 7/2014  
 JP D1503514 S 7/2014  
 JP D1504008 S 8/2014  
 JP D1481023 S 9/2014  
 JP D1508059 S 9/2014  
 JP D1510472 S 11/2014  
 JP D1513541 S 12/2014  
 JP D1489460 S 2/2015  
 JP D1526239 S 6/2015  
 JP D1527162 S 6/2015  
 JP D1530108 S 8/2015  
 JP D1537411 S 11/2015  
 JP D1538875 S 11/2015  
 JP D1516874 S 2/2016  
 JP D1549273 S 5/2016  
 JP D1549973 S 5/2016  
 JP D1552739 S 6/2016  
 JP D1537266 S 7/2016  
 JP D1554582 S 7/2016  
 JP D1554593 S 7/2016  
 JP D1556052 S 8/2016  
 JP D1562805 S 11/2016  
 JP D1568238 S 1/2017  
 JP D1560866 S 2/2017

\* cited by examiner



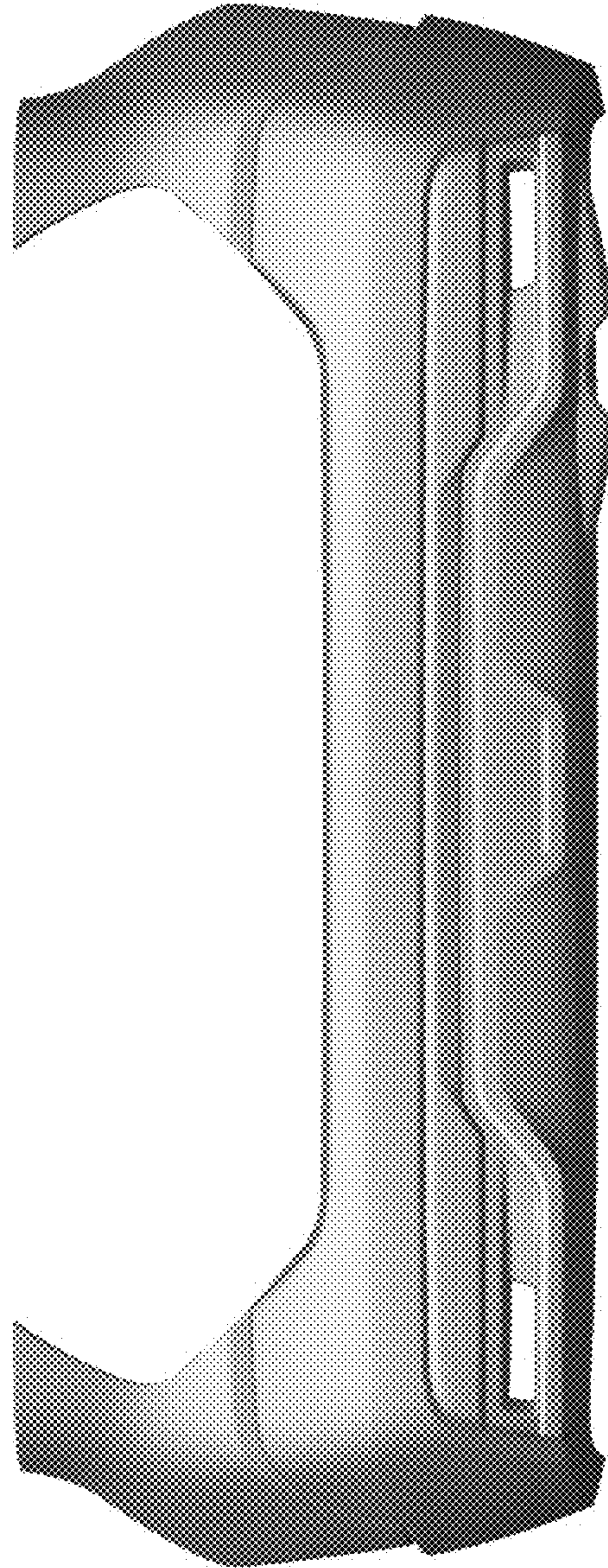


FIG. 1

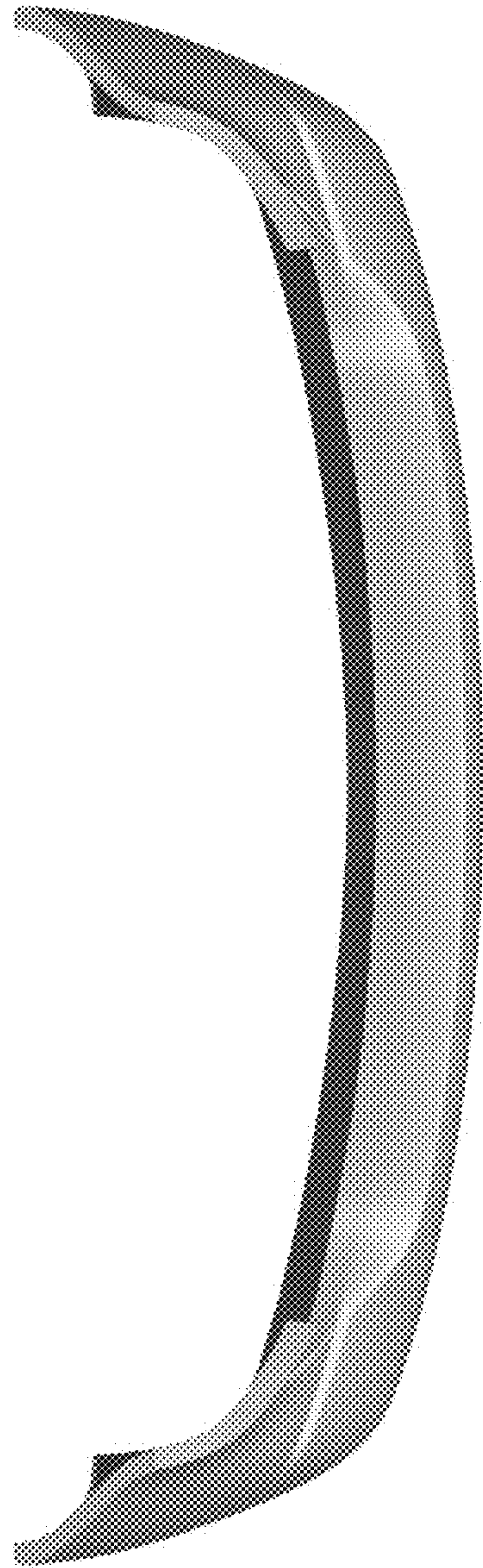


FIG. 2

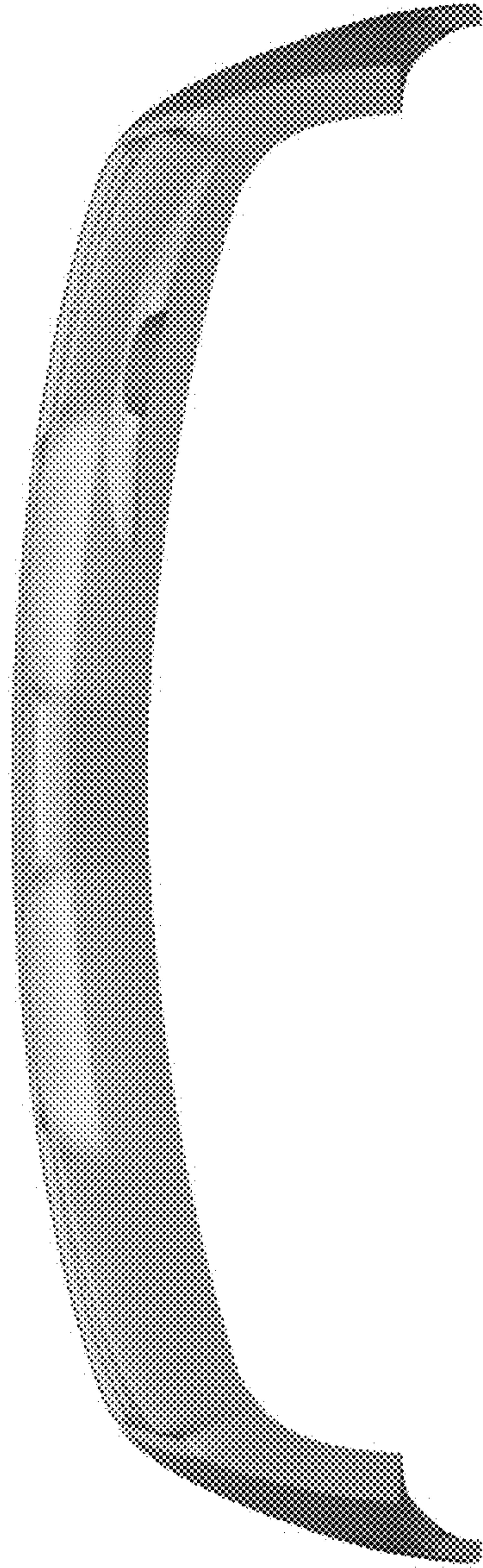


FIG. 3



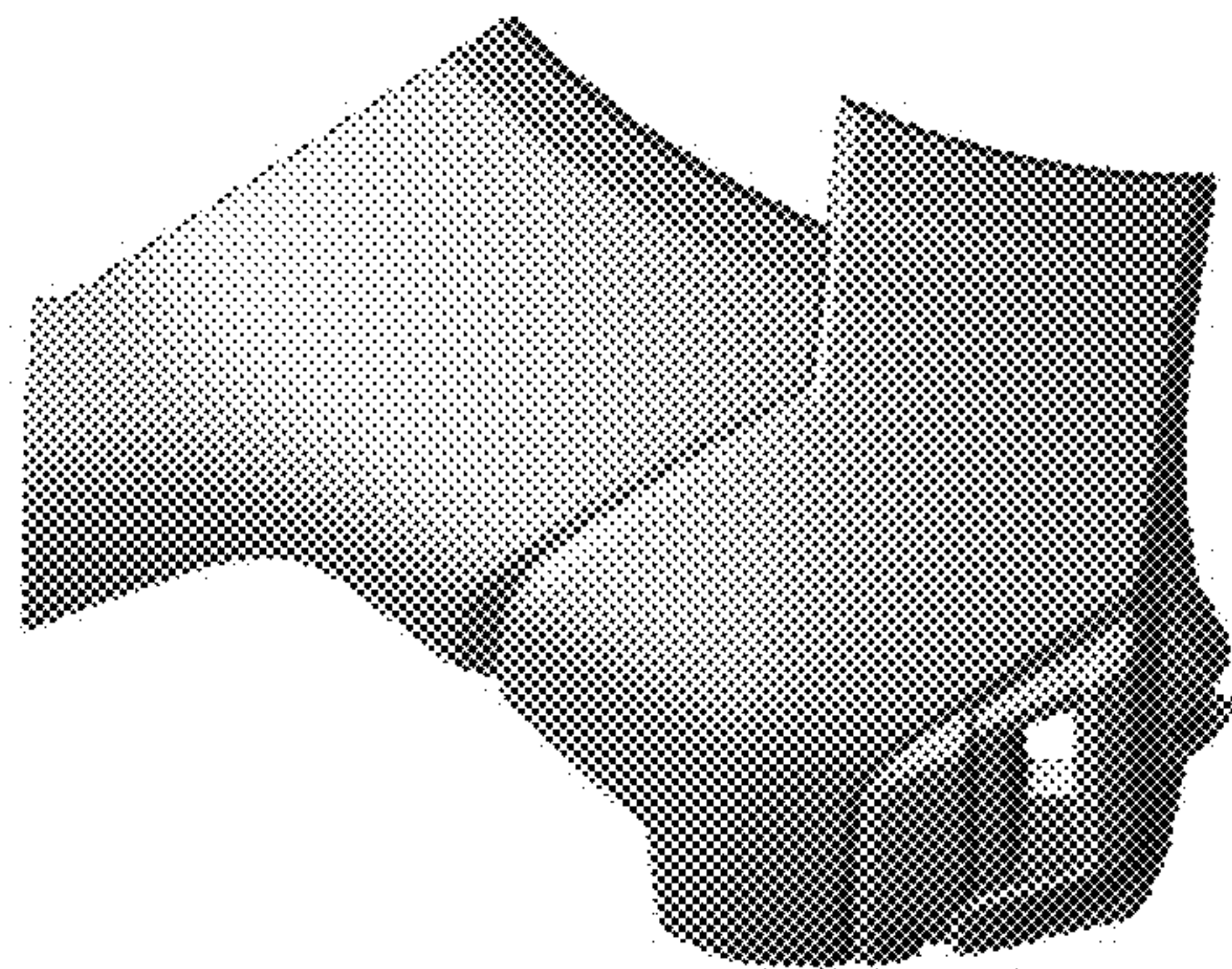


FIG. 4

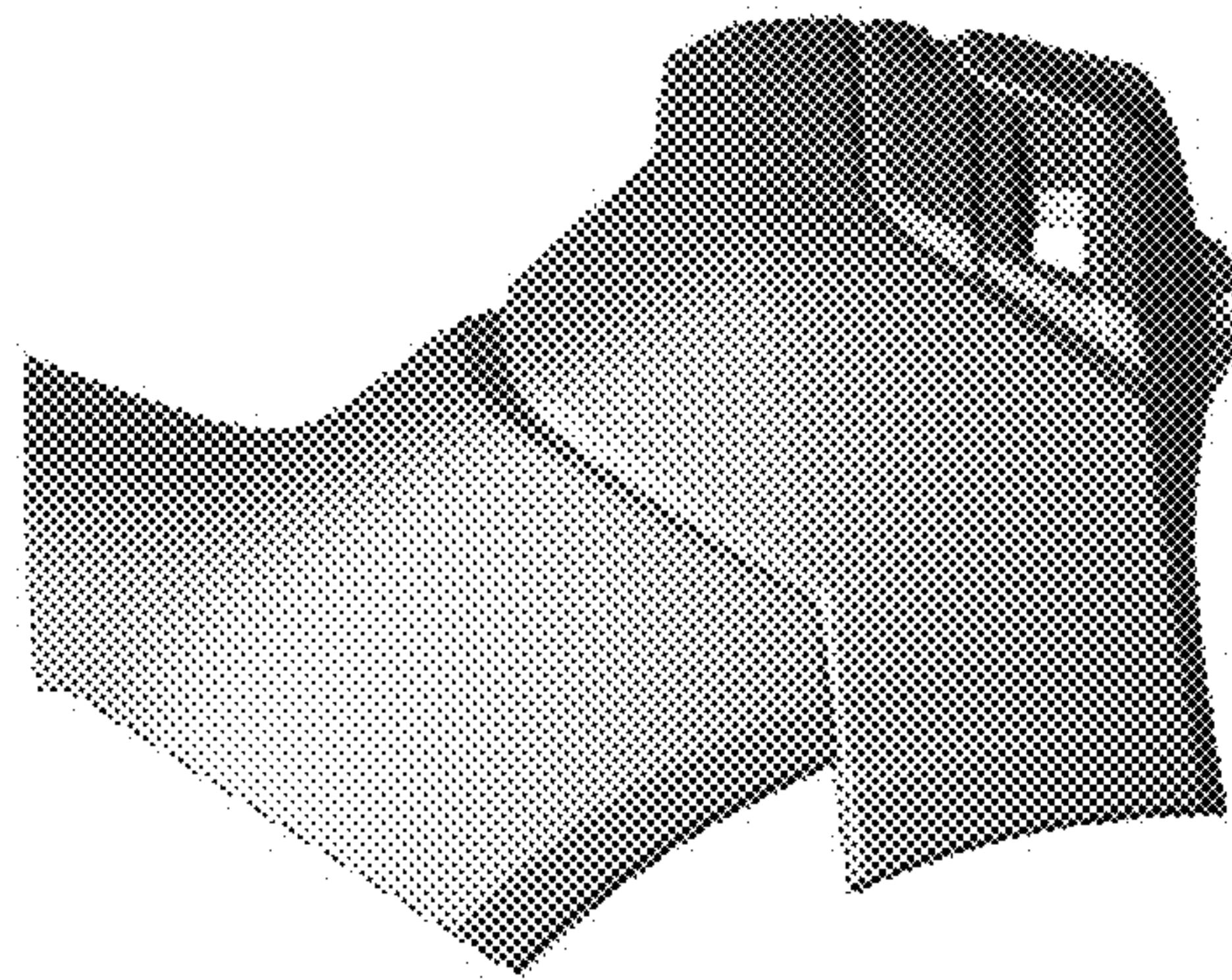


FIG. 5

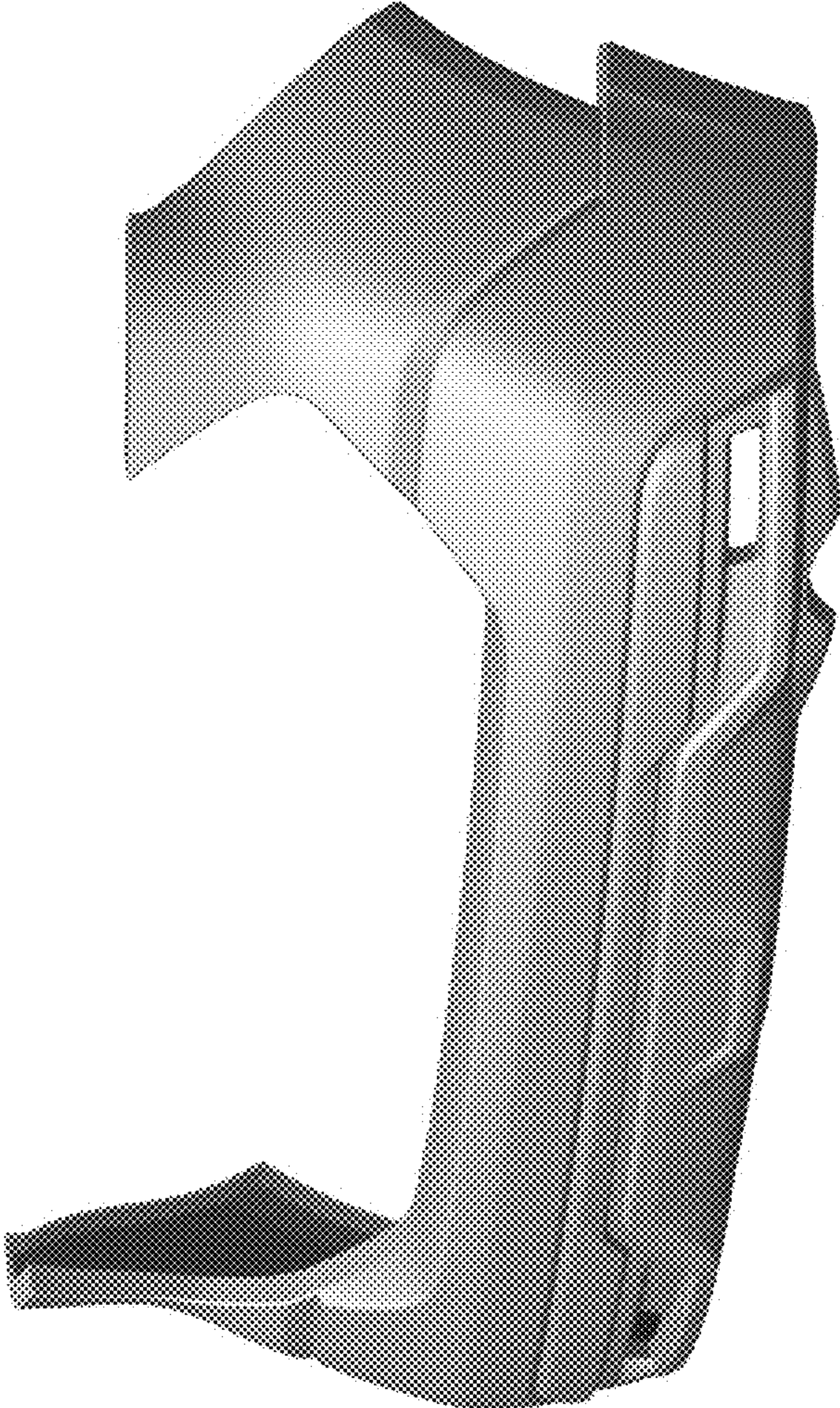


FIG. 6



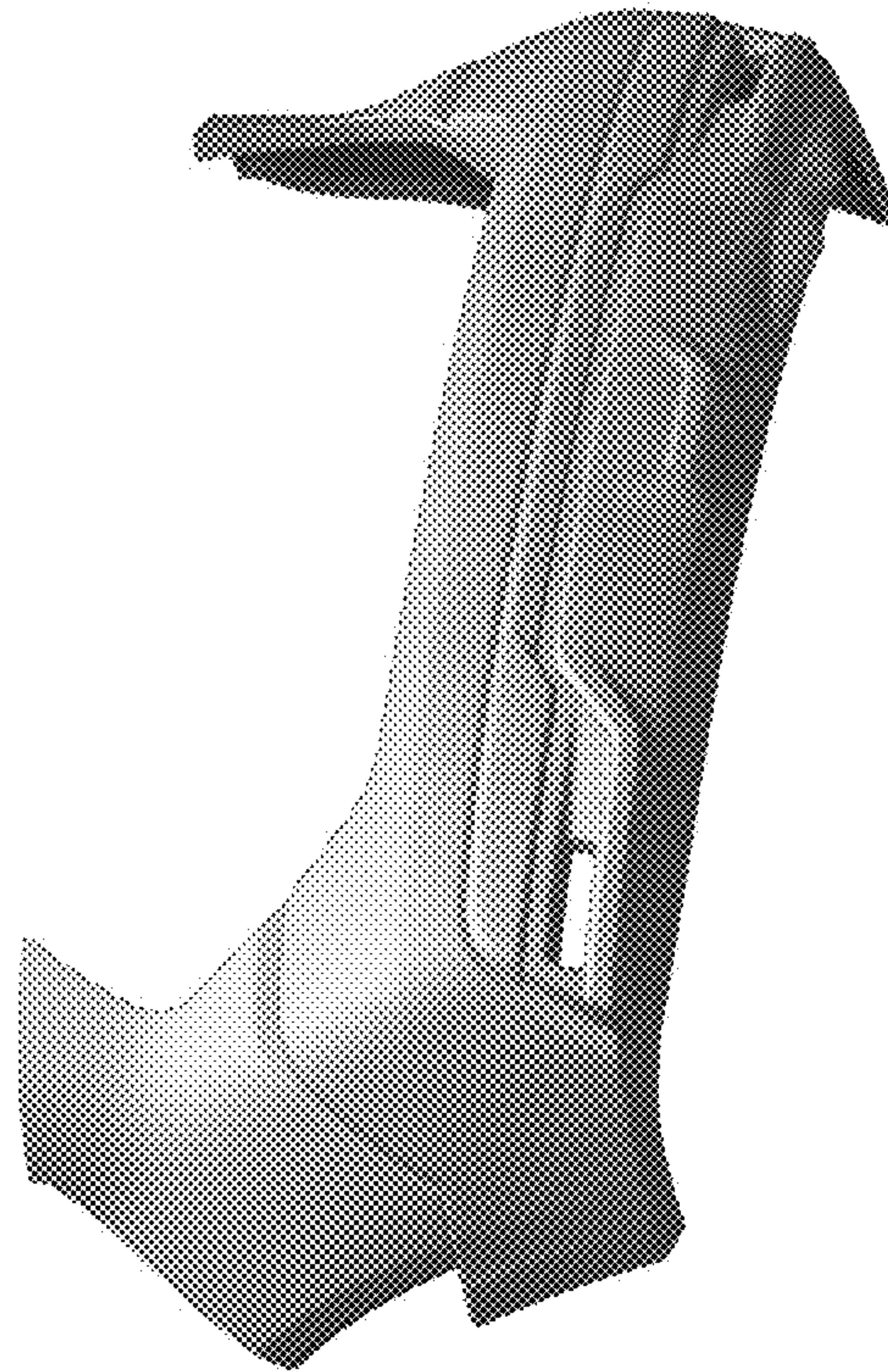


FIG. 7