



US00D789258S

(12) **United States Design Patent**
McMath

(10) **Patent No.:** **US D789,258 S**

(45) **Date of Patent:** **** Jun. 13, 2017**

(54) **VEHICLE BUMPER**

(71) Applicant: **Robert Roy McMath**, Riverside, CA
(US)

(72) Inventor: **Robert Roy McMath**, Riverside, CA
(US)

(**) Term: **15 Years**

(21) Appl. No.: **29/561,511**

(22) Filed: **Apr. 15, 2016**

(51) **LOC (10) Cl.** **12-16**

(52) **U.S. Cl.**
USPC **D12/167**

(58) **Field of Classification Search**
USPC D12/163, 167, 171; 293/102, 107, 108,
293/142
CPC B60D 1/485; B60R 19/48; B60R 19/18;
B60R 19/20
See application file for complete search history.

(56) **References Cited**

U.S. PATENT DOCUMENTS

D454,099 S * 3/2002 McGuiness D12/171
D454,817 S * 3/2002 McGuiness D12/171

D455,684 S * 4/2002 McGuiness D12/171
6,685,244 B2 * 2/2004 McCoy B60D 1/485
293/102

D775,016 S * 12/2016 Reynolds D12/171
2016/0325700 A1 * 11/2016 Wheeler B60R 19/48

* cited by examiner

Primary Examiner — Daniel Bui

Assistant Examiner — Andrew Kerr

(74) *Attorney, Agent, or Firm* — Curtis L. Harrington;
Harrington & Harrington

(57) **CLAIM**

The ornamental design for a vehicle bumper, as shown and described.

DESCRIPTION

FIG. 1 is a front perspective view of a vehicle bumper, showing my new design;
FIG. 2 is a left side elevational view thereof;
FIG. 3 is a right side elevational view thereof;
FIG. 4 is a front elevational view thereof;
FIG. 5 is a rear elevational view thereof;
FIG. 6 is a top plan view thereof; and,
FIG. 7 is a bottom plan view thereof.
The dashed broken line showing of the vehicle bumper in the drawings is for the purpose of illustrating portions of the "article" and forms no part of the claimed design.

1 Claim, 5 Drawing Sheets

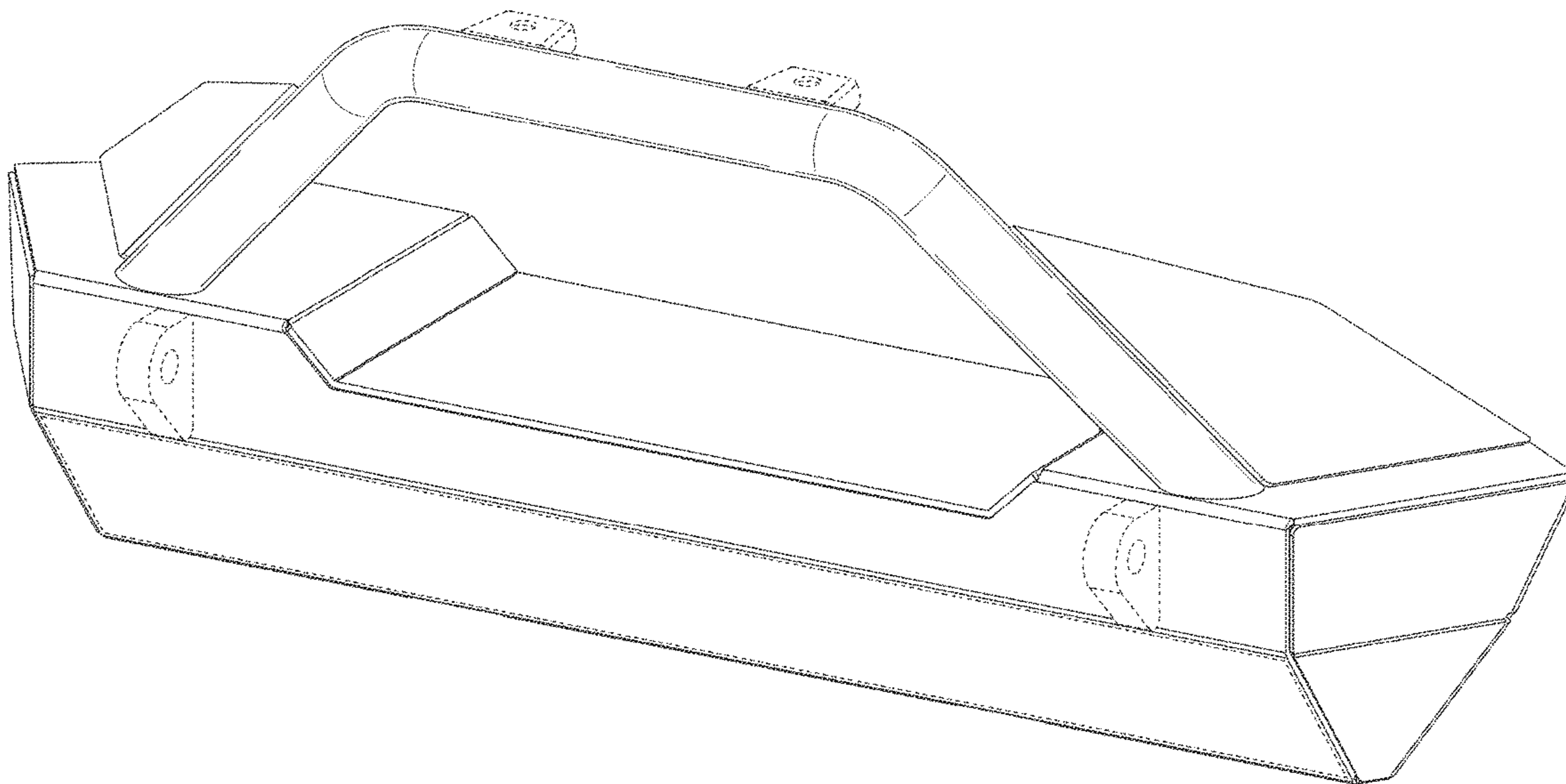


Fig. 1

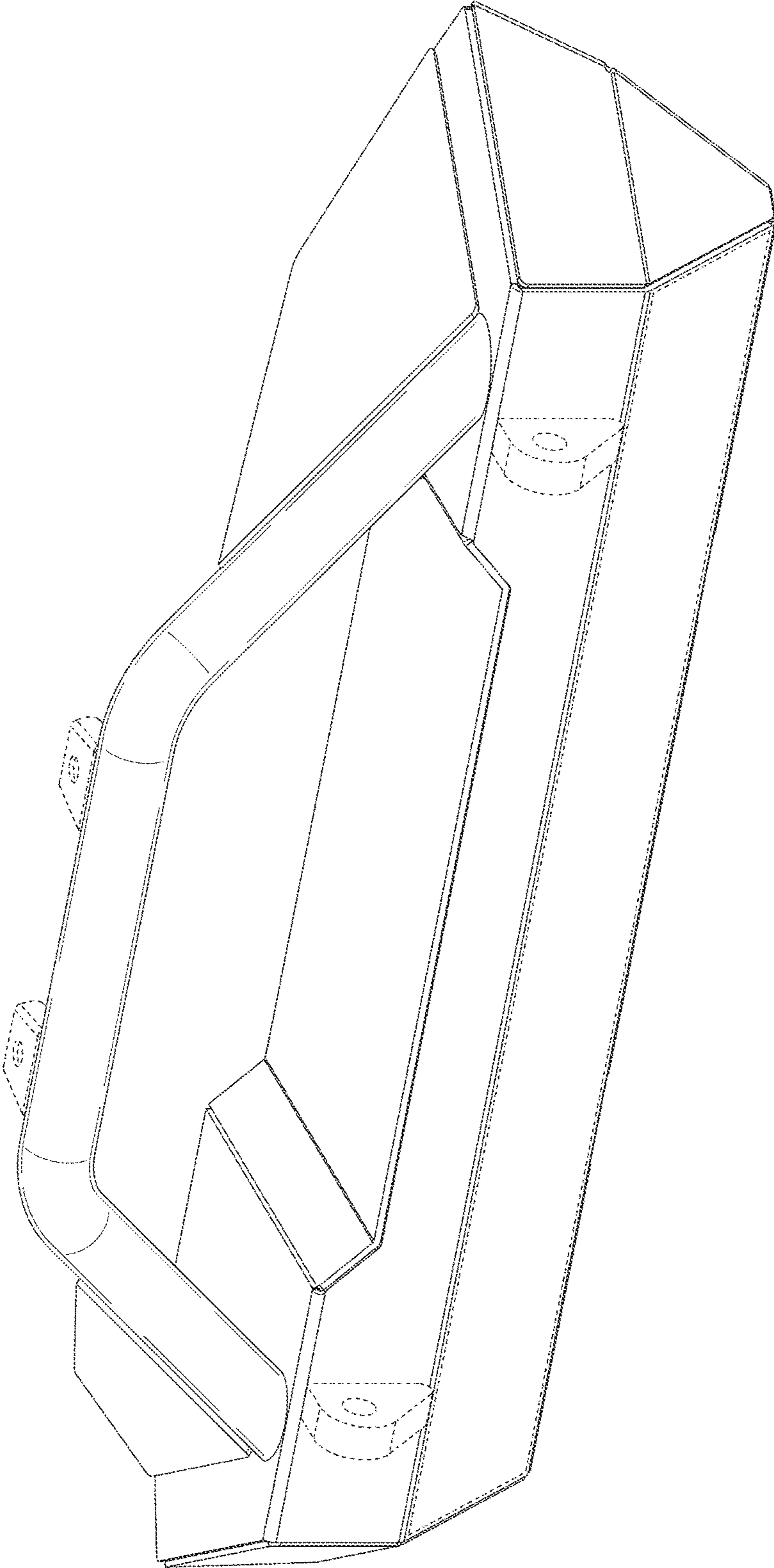


Fig. 3

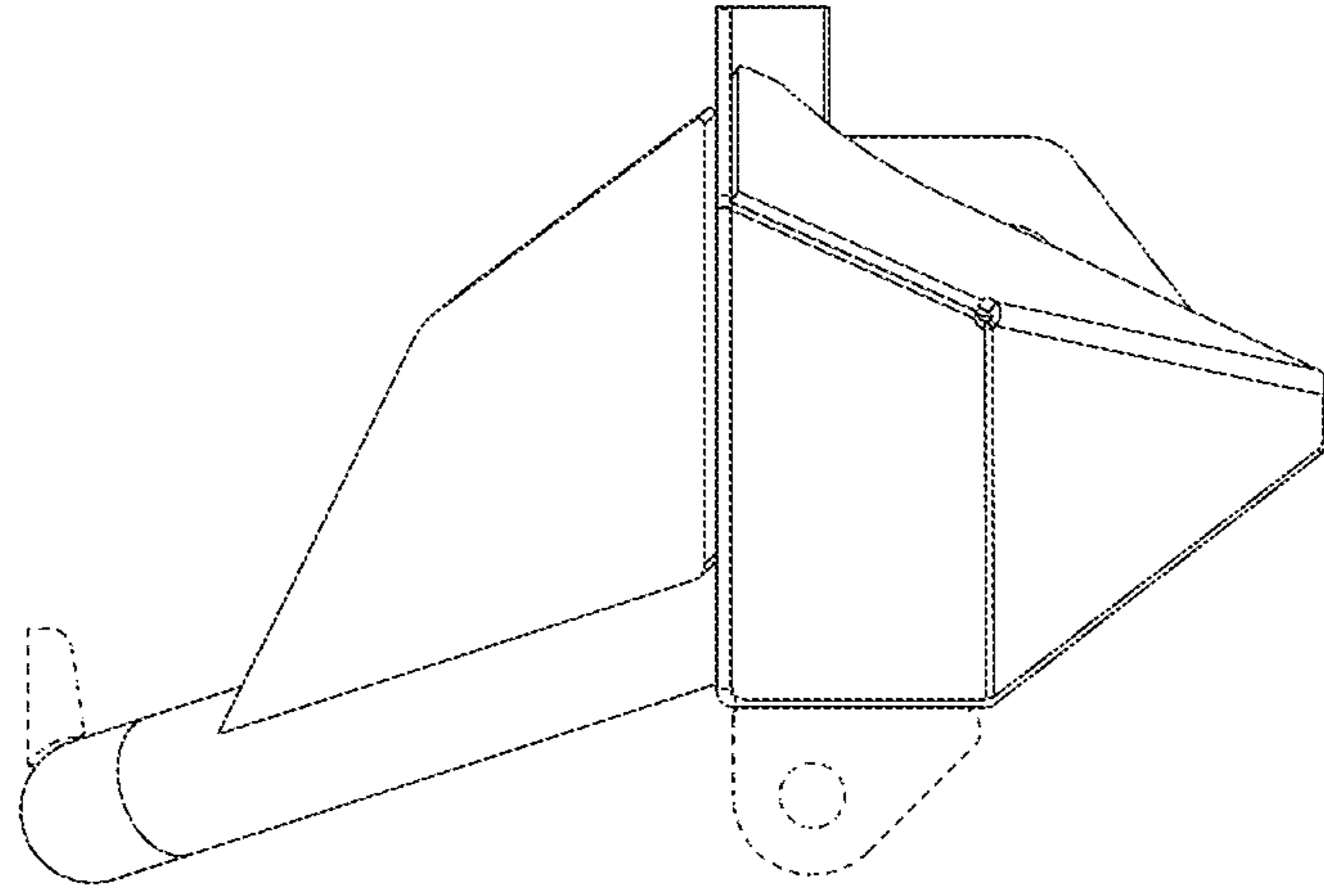


Fig. 2

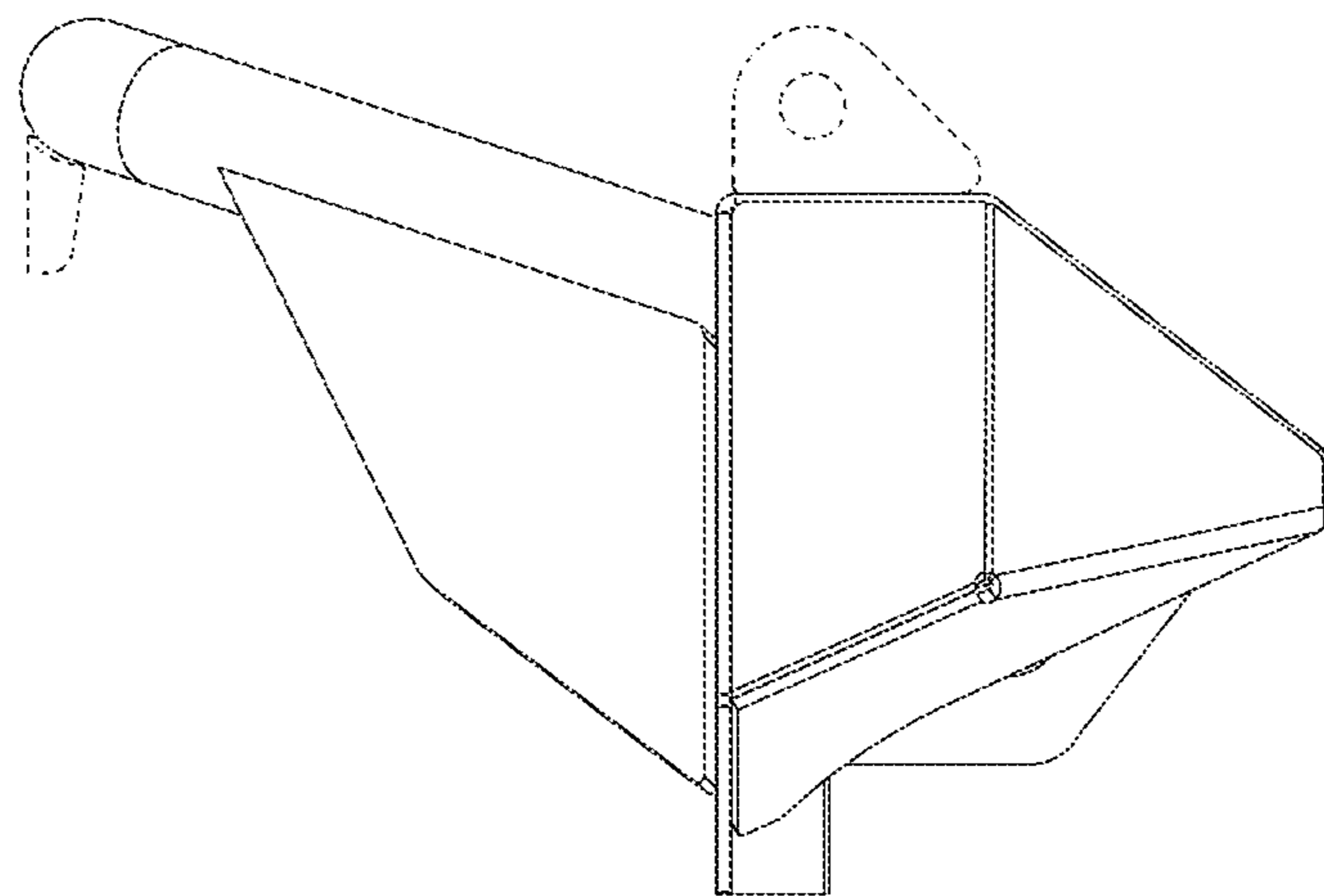


Fig. 4

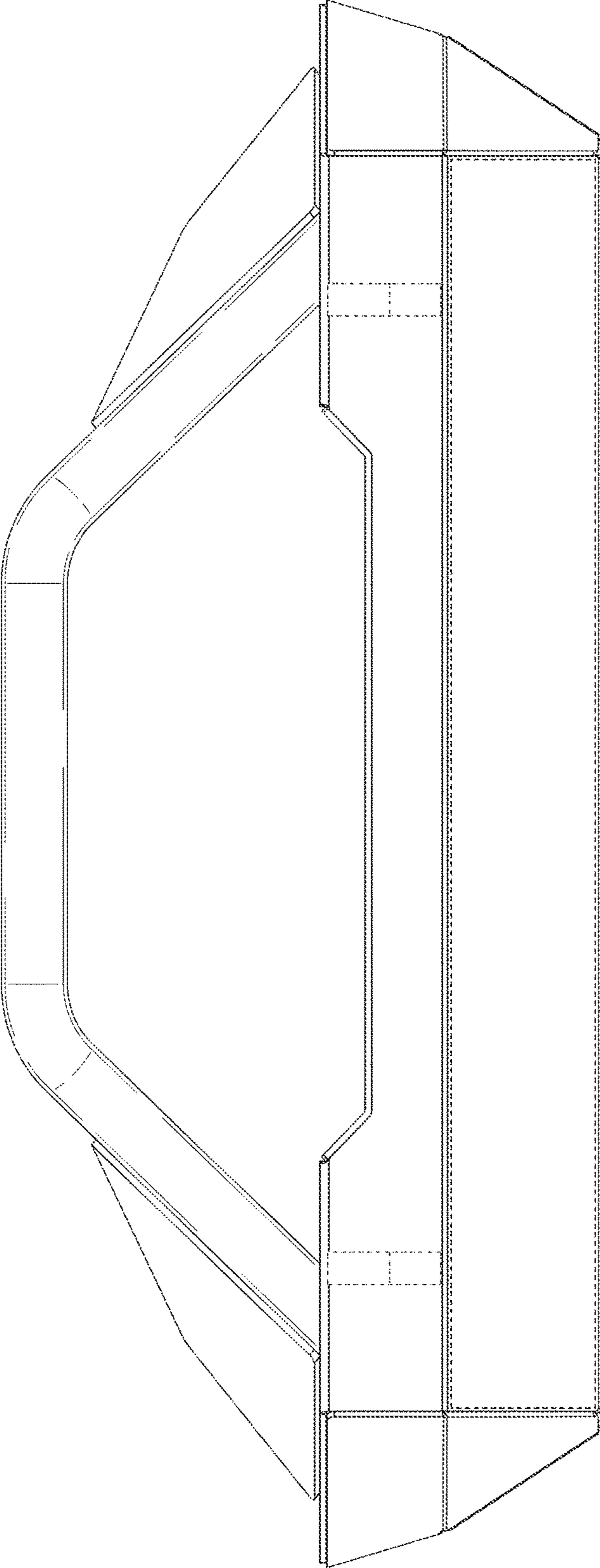


Fig. 5

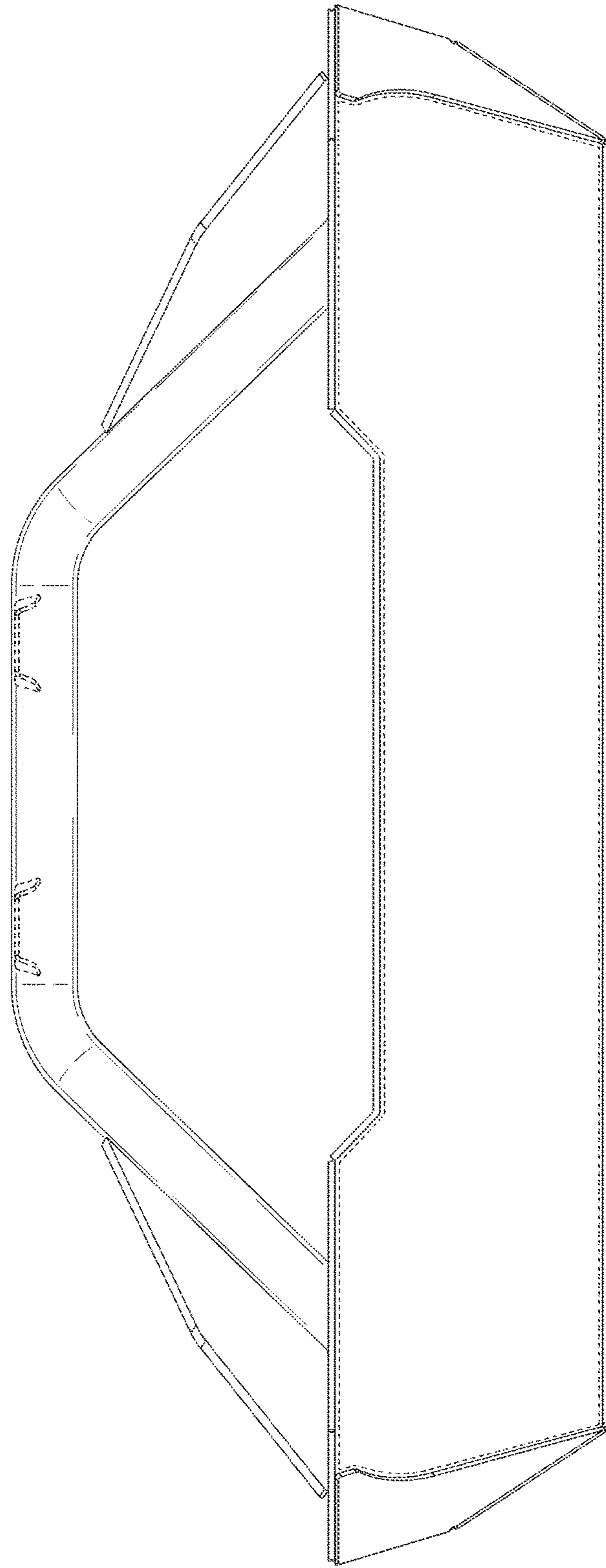


Fig. 6

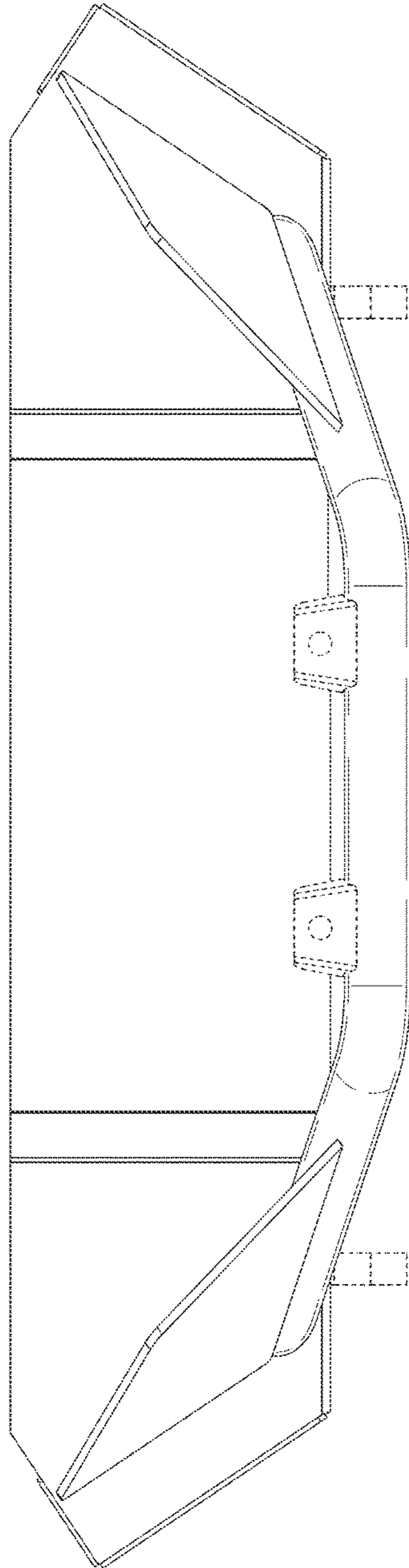


Fig. 7

