



US00D789257S

(12) **United States Design Patent**
Bucher et al.

(10) **Patent No.:** **US D789,257 S**
(45) **Date of Patent:** **** Jun. 13, 2017**

- (54) **BRACKET**
- (71) Applicant: **Adaptive Engineering Lab, Inc.**,
Milwaukee, WI (US)
- (72) Inventors: **Ronald S. Bucher**, Wauwatosa, WI
(US); **Adam Wied**, Milwaukee, WI
(US); **Erik B. Holstad**, Fredonia, WI
(US)
- (73) Assignee: **Adaptive Engineering Lab, Inc.**,
Milwaukee, WI (US)
- (**) Term: **15 Years**
- (21) Appl. No.: **29/571,778**
- (22) Filed: **Jul. 21, 2016**
- (51) **LOC (10) Cl.** **12-12**
- (52) **U.S. Cl.**
USPC **D12/133**
- (58) **Field of Classification Search**
USPC D12/128-133
CPC A61G 5/00-5/14; B62B 7/00-7/04; B62B
9/00-9/28; A61H 3/00; A61H 3/04
See application file for complete search history.

- 8,573,549 B2 11/2013 Holstad
- D720,664 S * 1/2015 Wang D12/133
- D727,216 S * 4/2015 Brown, Jr. D12/133
- D727,217 S * 4/2015 Brown, Jr. D12/133
- D730,708 S * 6/2015 Spector D8/73
- D743,244 S * 11/2015 Anderson D8/394
- D763,060 S * 8/2016 Remmel D8/349
- D765,564 S * 9/2016 Stierli D12/133

* cited by examiner

Primary Examiner — Charles Hanson

(74) *Attorney, Agent, or Firm* — Quarles & Brady LLP

(57) **CLAIM**

The ornamental design for a bracket, as shown and described.

DESCRIPTION

FIG. 1 is a top, front, left perspective view of a bracket, showing our new design in the context of a wheelchair; FIG. 2 is a top, front, and left perspective view of the bracket; FIG. 3 is a left elevational view of the bracket; FIG. 4 is a right elevational view of the bracket; FIG. 5 is a front elevational view of the bracket; FIG. 6 is a rear elevational of the bracket; FIG. 7 is a top plan view of the bracket; FIG. 8 is a bottom plan view of the bracket; FIG. 9 is a left side cross-sectional view taken through line 9-9 of FIG. 5; and, FIG. 10 is a right side cross-sectional view taken through line 10-10 of FIG. 5.

The broken lines shown in the drawings are for the purpose of illustrating unclaimed portions of the bracket or the environment and form no part of the claimed design.

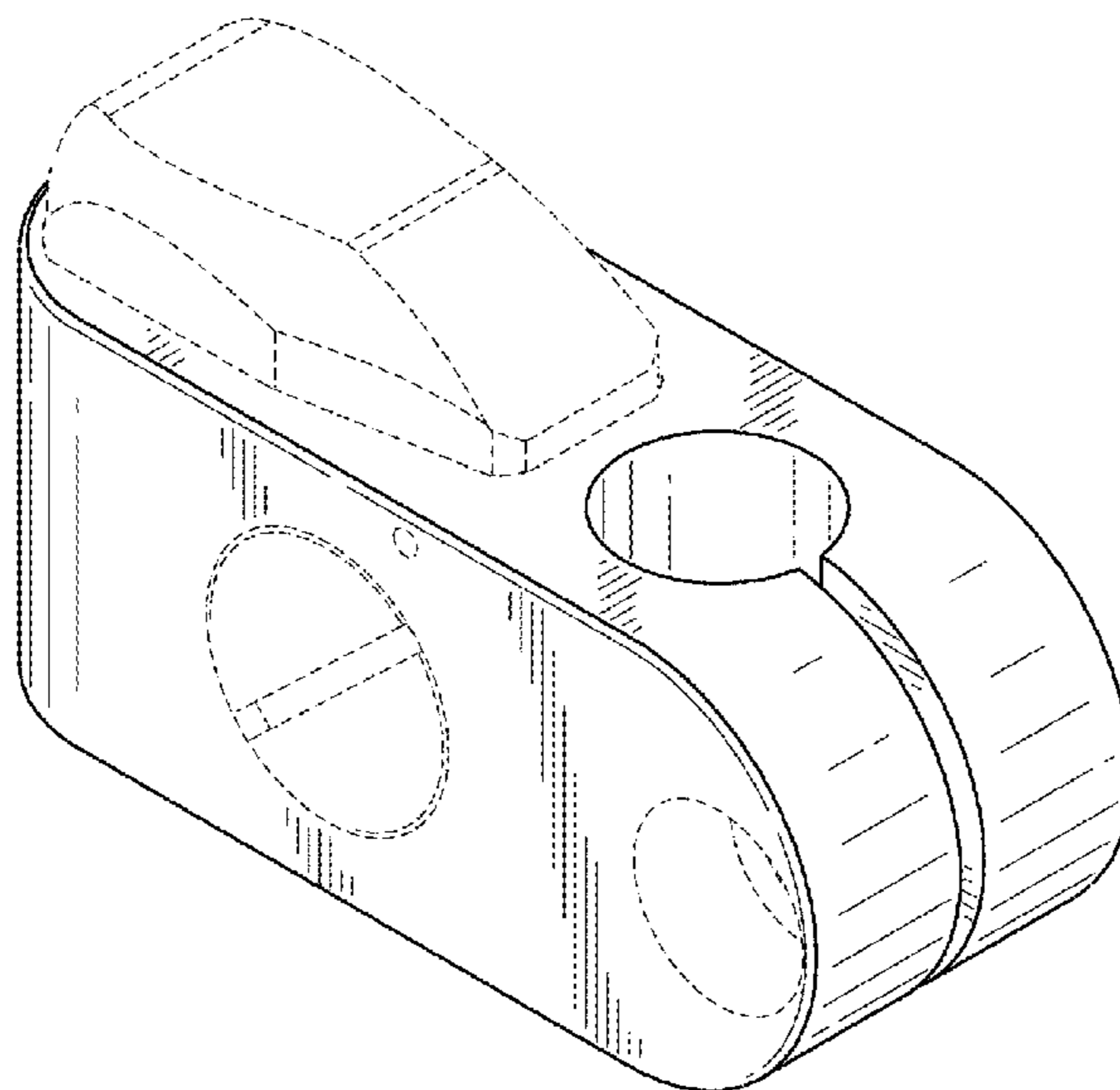
In a preferred embodiment, the nature of this product is as a bracket for a knee adductor assembly for attachment to a wheelchair.

1 Claim, 5 Drawing Sheets

(56) **References Cited**

U.S. PATENT DOCUMENTS

- 473,919 A 5/1892 Edsall
- 4,288,123 A 9/1981 Cone
- 5,123,768 A 6/1992 Franklin
- 5,678,798 A 10/1997 Little
- 6,361,118 B1 3/2002 Melgarejo et al.
- D506,419 S * 6/2005 Coster D12/133
- D553,971 S * 10/2007 Krueger D8/396
- D583,640 S * 12/2008 Gilham D8/73
- D643,281 S * 8/2011 Roberts D8/394
- D656,811 S * 4/2012 Giordano D8/349
- D690,190 S * 9/2013 McGrath D8/394



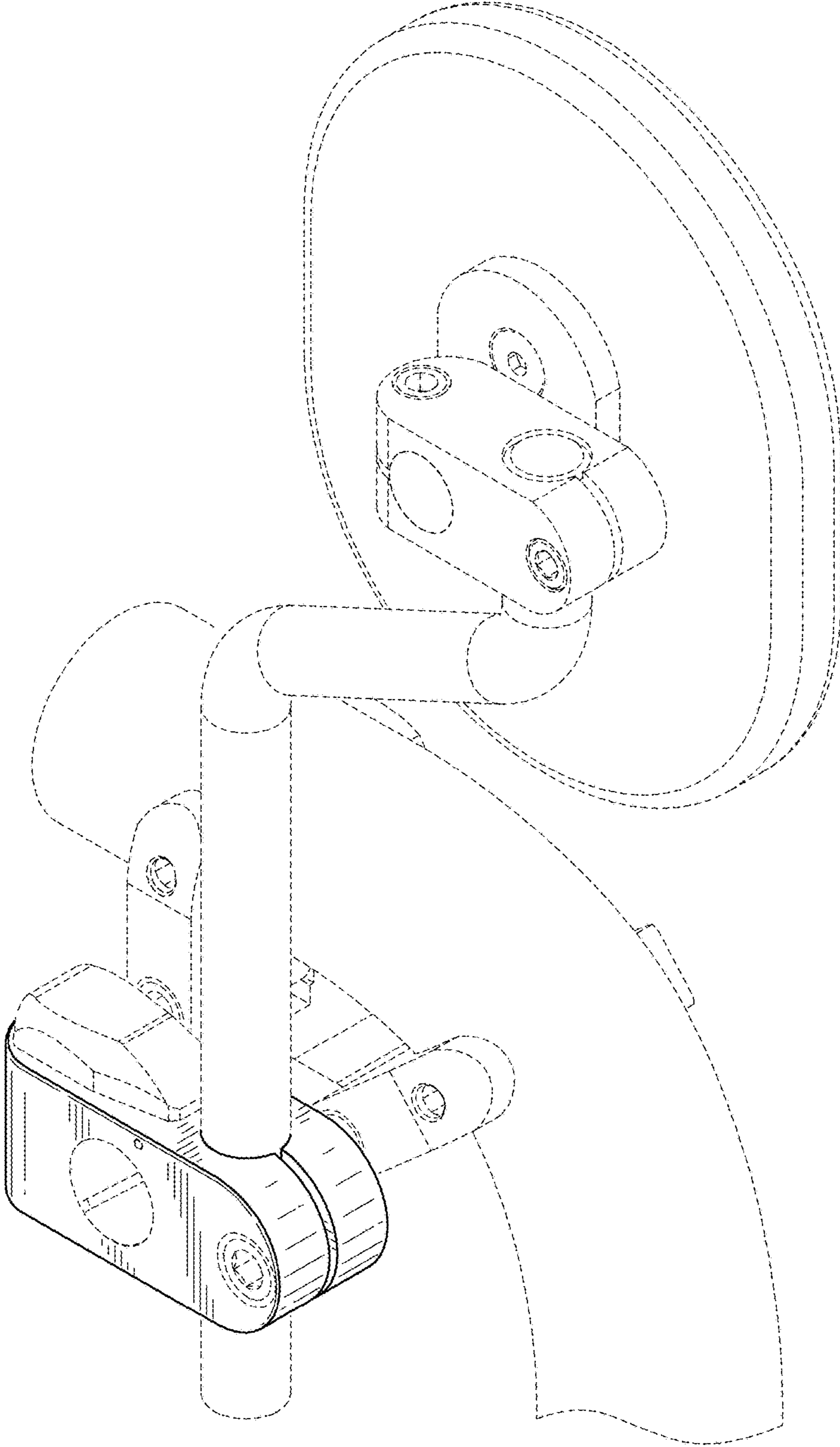


FIG. 1

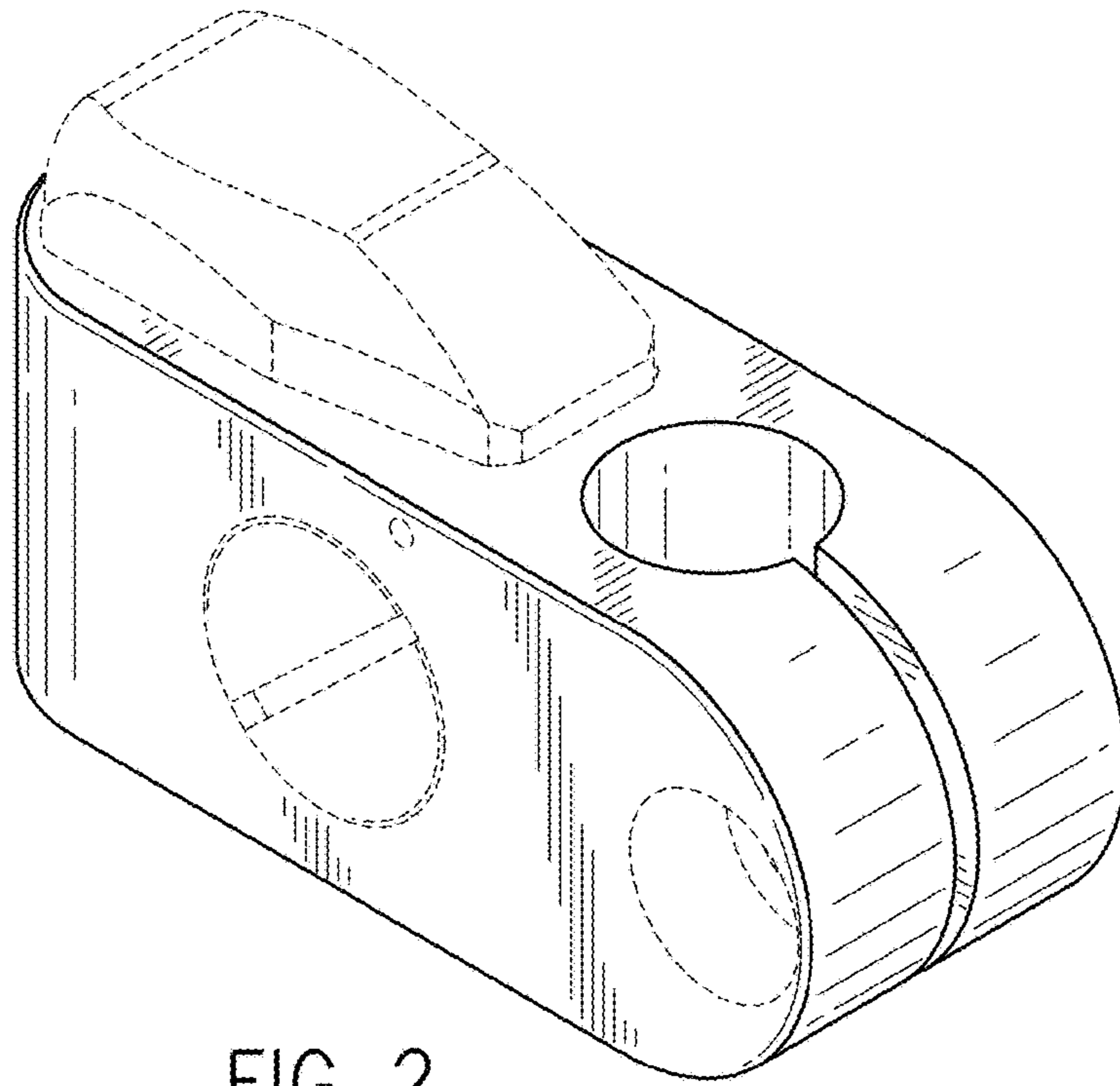


FIG. 2

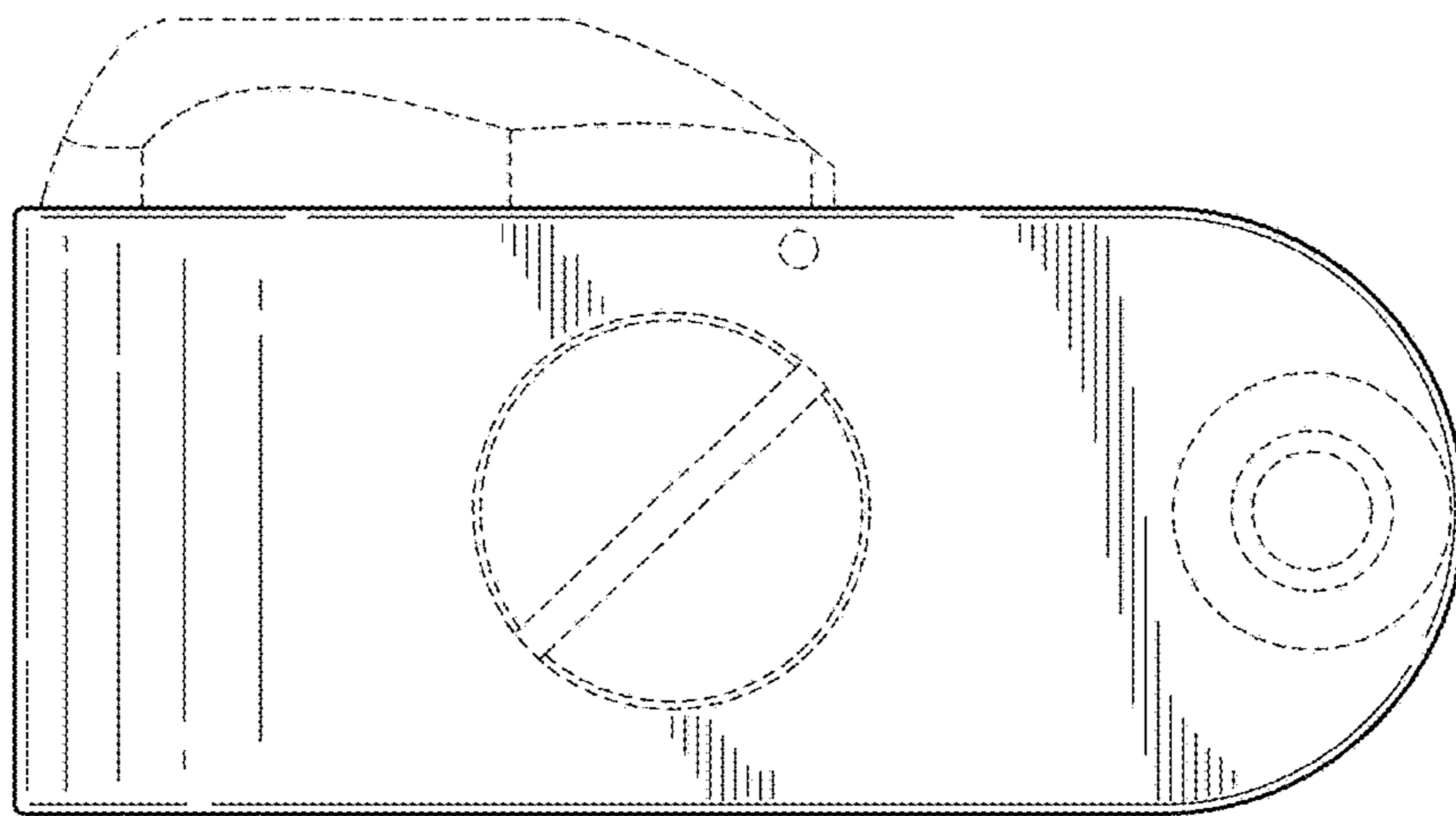


FIG. 3

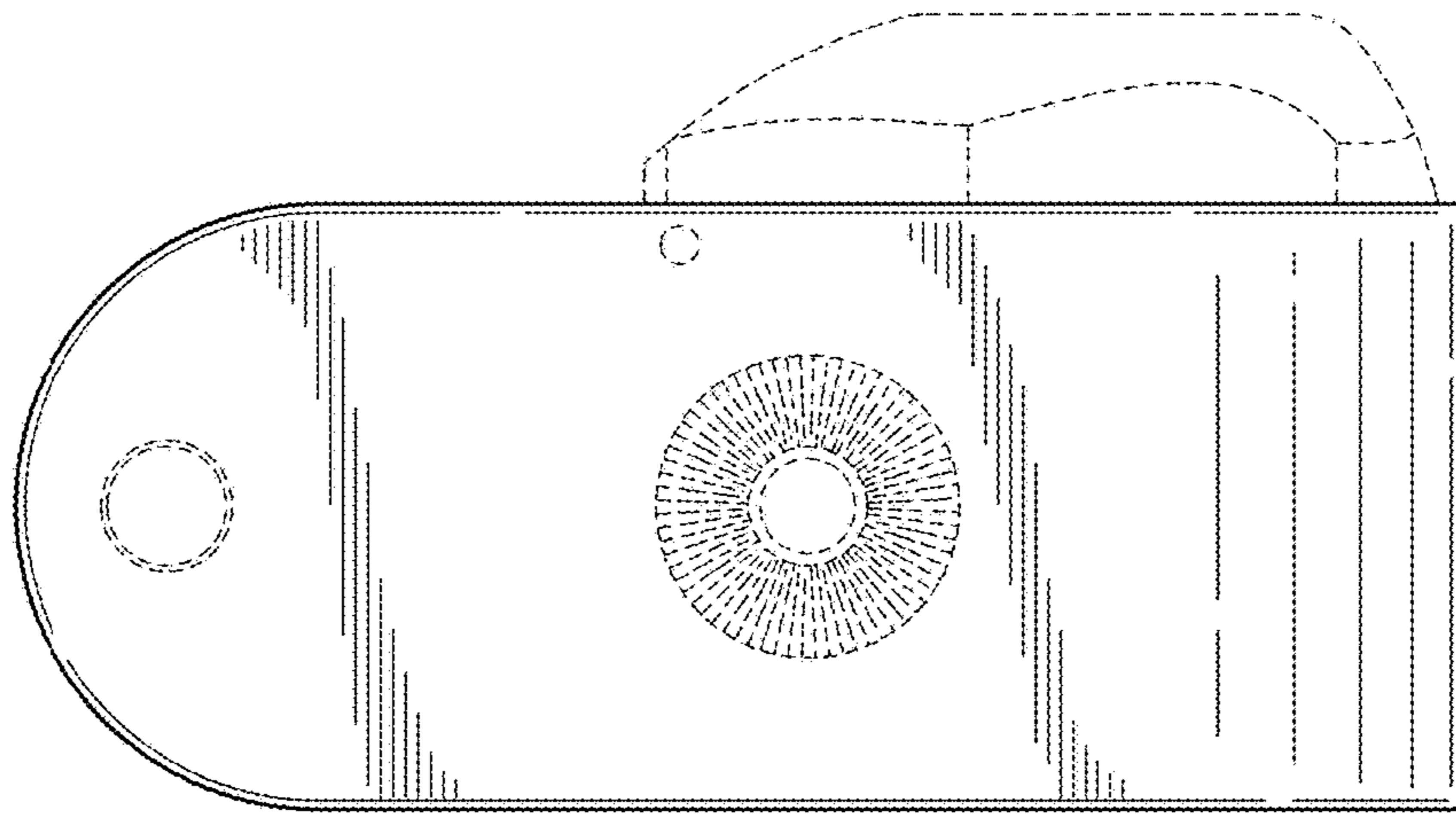


FIG. 4

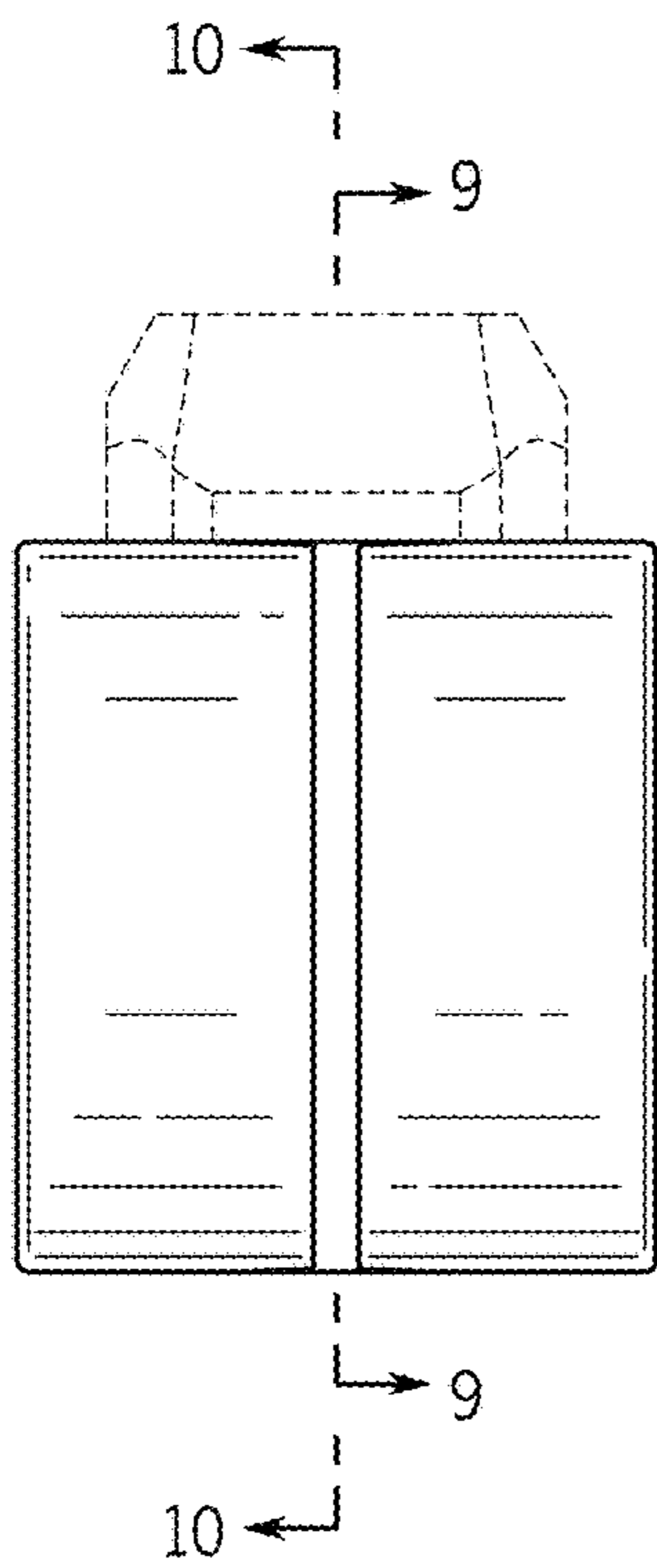


FIG. 5

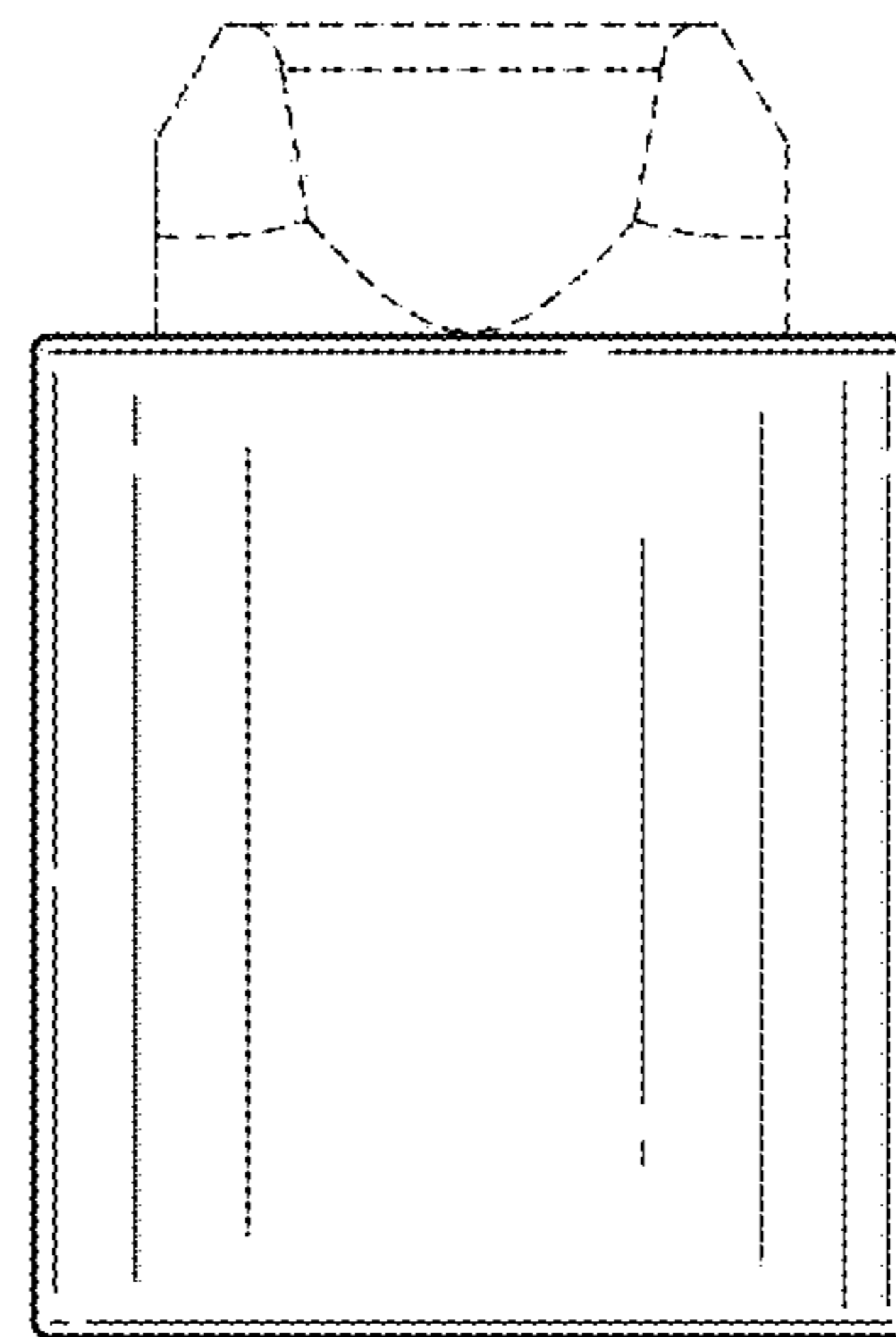


FIG. 6

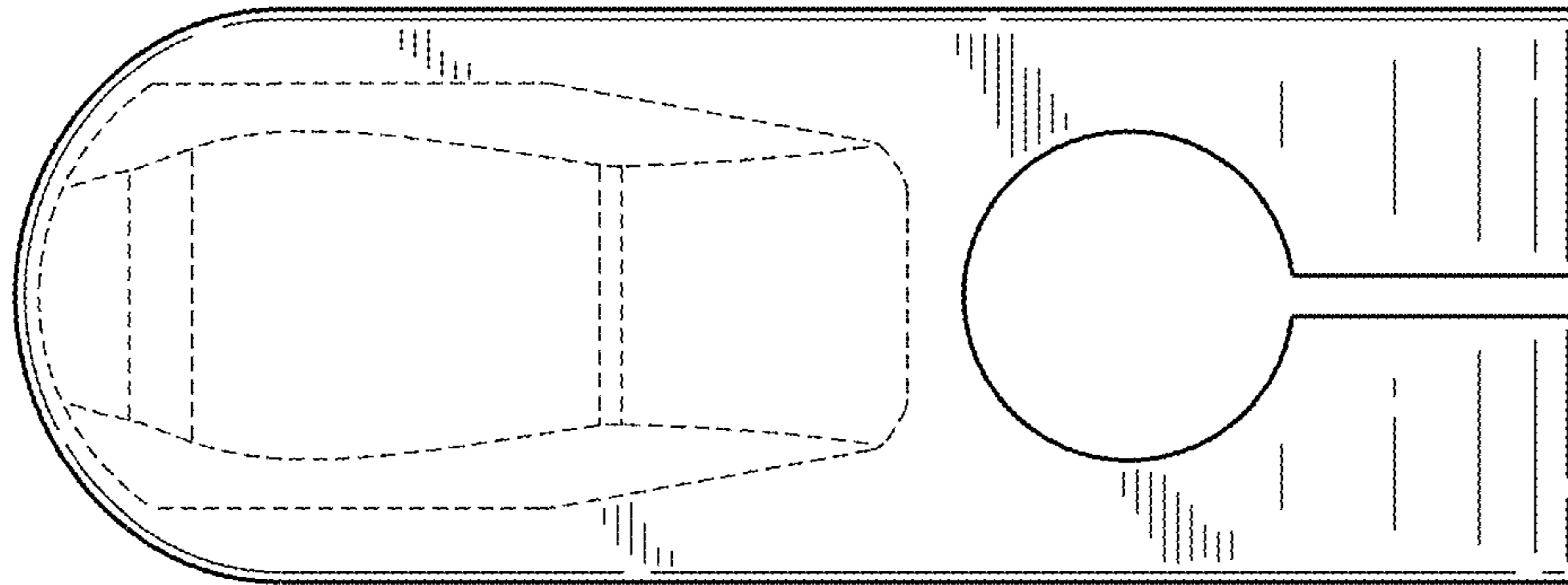


FIG. 7

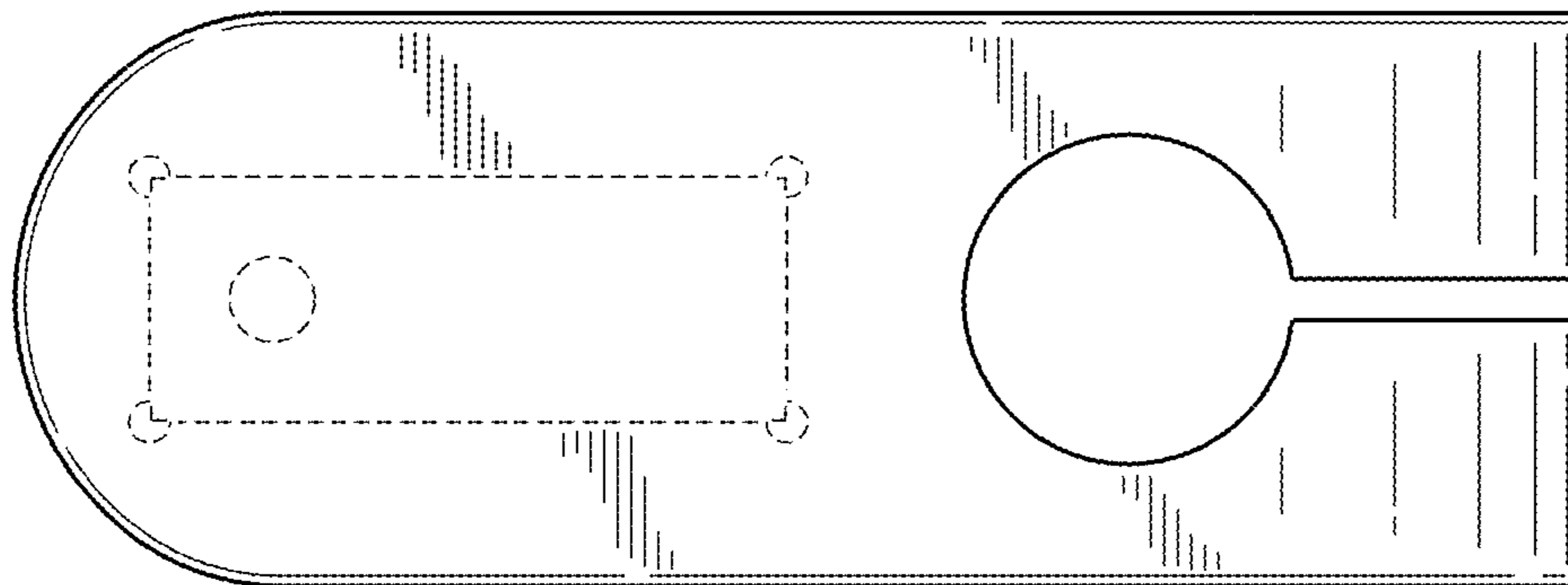


FIG. 8

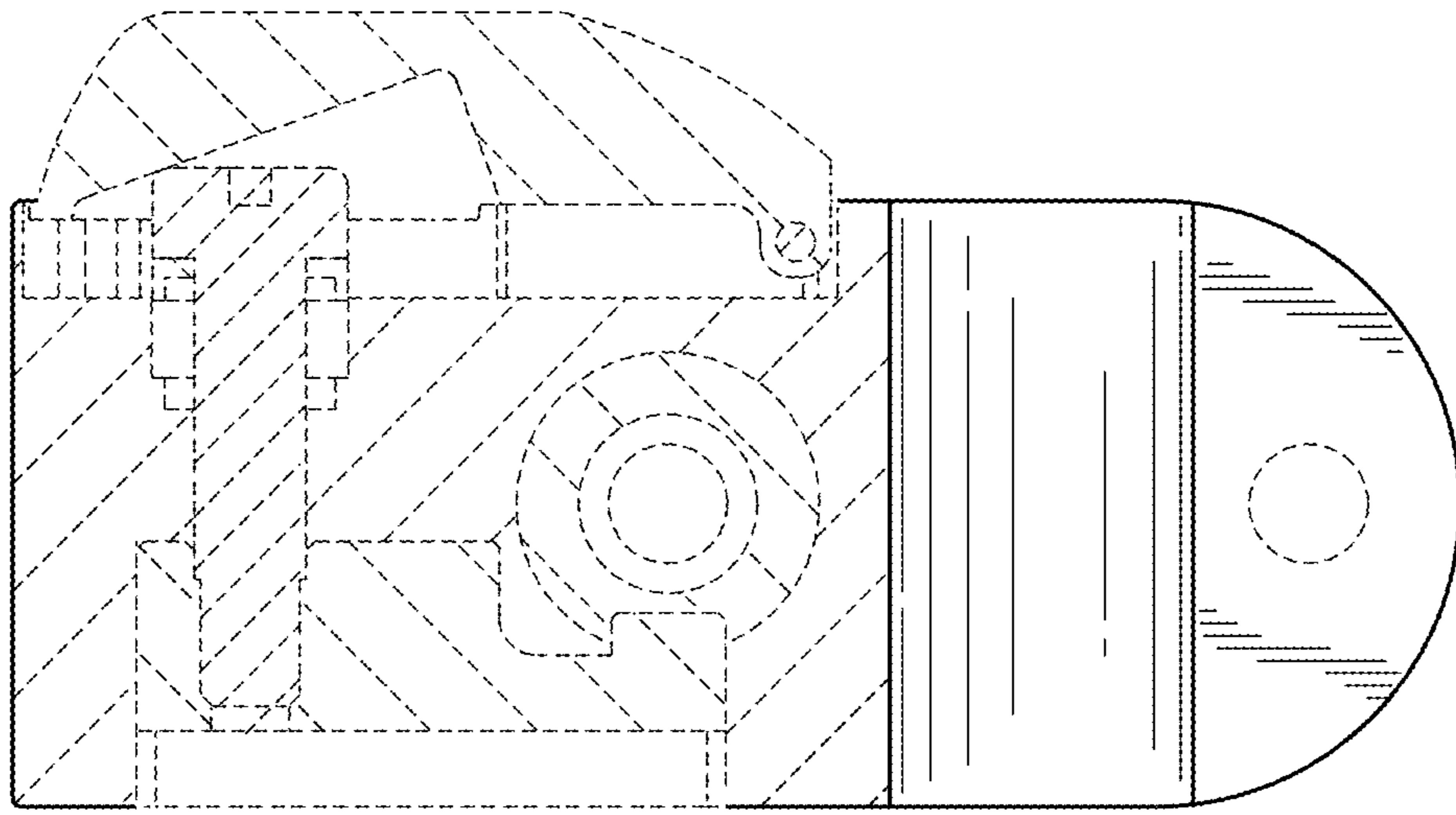


FIG. 9

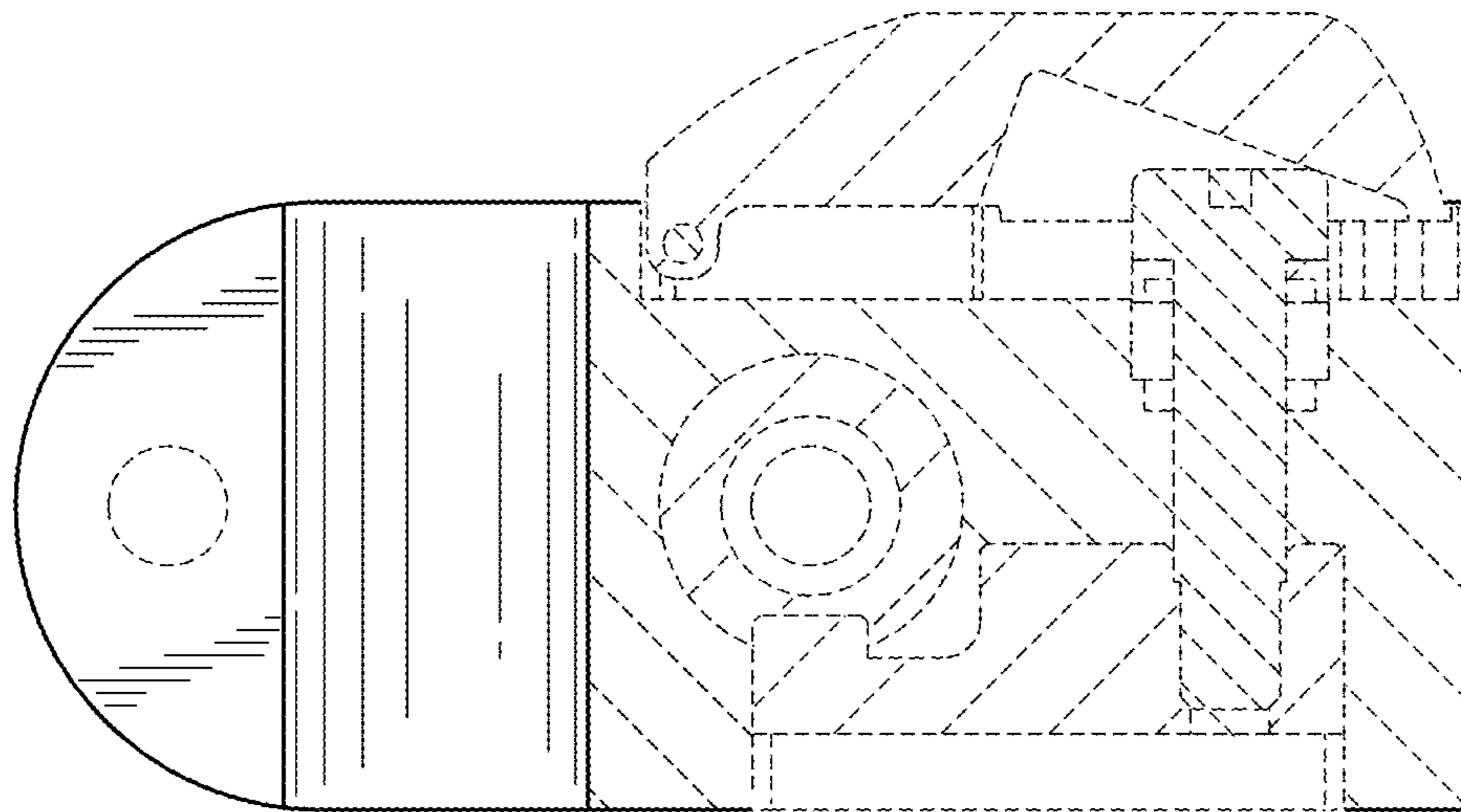


FIG. 10