



US00D789255S

(12) **United States Design Patent**
Delatorre et al.

(10) **Patent No.:** **US D789,255 S**
(45) **Date of Patent:** **** Jun. 13, 2017**

- (54) **ROLLING WALKER**
- (71) Applicants: **Adilson Delatorre**, East Walpole, MA
(US); **David Lee**, Foshan (CN)
- (72) Inventors: **Adilson Delatorre**, East Walpole, MA
(US); **David Lee**, Foshan (CN)
- (**) Term: **15 Years**
- (21) Appl. No.: **29/576,050**
- (22) Filed: **Aug. 31, 2016**
- (51) **LOC (10) Cl.** **12-12**
- (52) **U.S. Cl.**
USPC **D12/130**
- (58) **Field of Classification Search**
USPC D12/128-133
CPC A61H 3/00; A61H 3/04; A61H
2003/001-2003/007; A61H 2003/043;
A61H 2003/046
See application file for complete search history.

2008/0202571	A1*	8/2008	Meyers	A61H 3/04 135/66
2008/0252043	A1*	10/2008	Willis	A61H 3/04 280/639
2012/0205882	A1*	8/2012	Staggs	A61G 5/1002 280/30
2013/0292916	A1*	11/2013	Nabeta	A61H 3/04 280/47.371
2014/0084559	A1*	3/2014	Fang	A61H 3/04 280/47.38

* cited by examiner

Primary Examiner — Charles Hanson
(74) *Attorney, Agent, or Firm* — Dunlap Bennett & Ludwig PLLC

(57) **CLAIM**

The ornamental design for a rolling walker, as shown and described.

DESCRIPTION

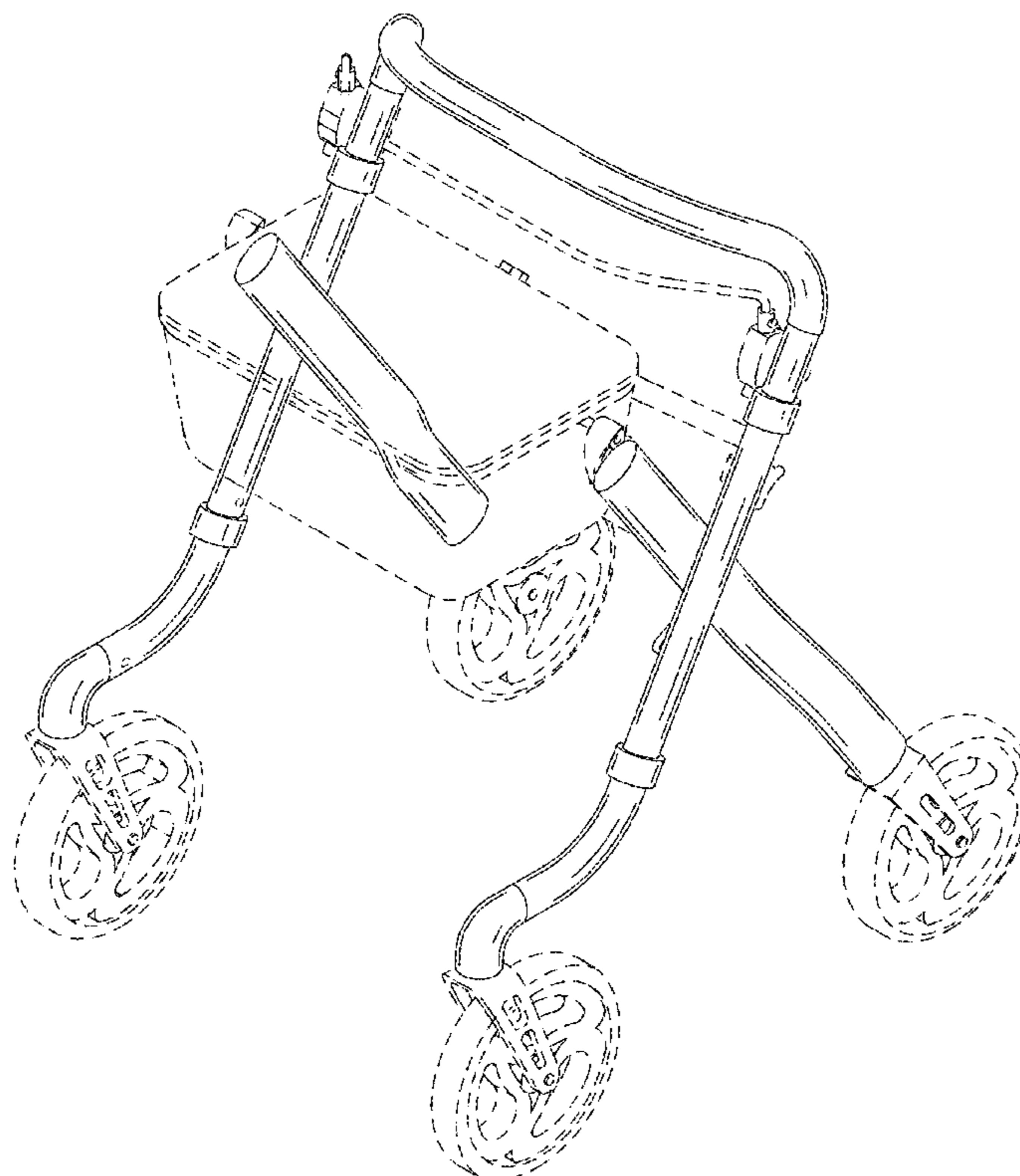
FIG. 1 is a front perspective view of a rolling walker; FIG. 2 is a left elevation view thereof, the right elevation view being a mirror image thereof; FIG. 3 is a front elevation view thereof; FIG. 4 is a rear elevation view thereof; FIG. 5 is a top plan view thereof; and, FIG. 6 is a bottom plan view thereof. The broken lines shown in the drawings depict portions of the rolling walker that form no part of the claimed design.

1 Claim, 6 Drawing Sheets

(56) **References Cited**

U.S. PATENT DOCUMENTS

9,226,868	B2*	1/2016	Andersen	A61H 3/04
D766,139	S*	9/2016	Chen	D12/130
2007/0235067	A1*	10/2007	Gale	A61H 3/04 135/67
2007/0283990	A1*	12/2007	Fernandez	A61G 5/08 135/67



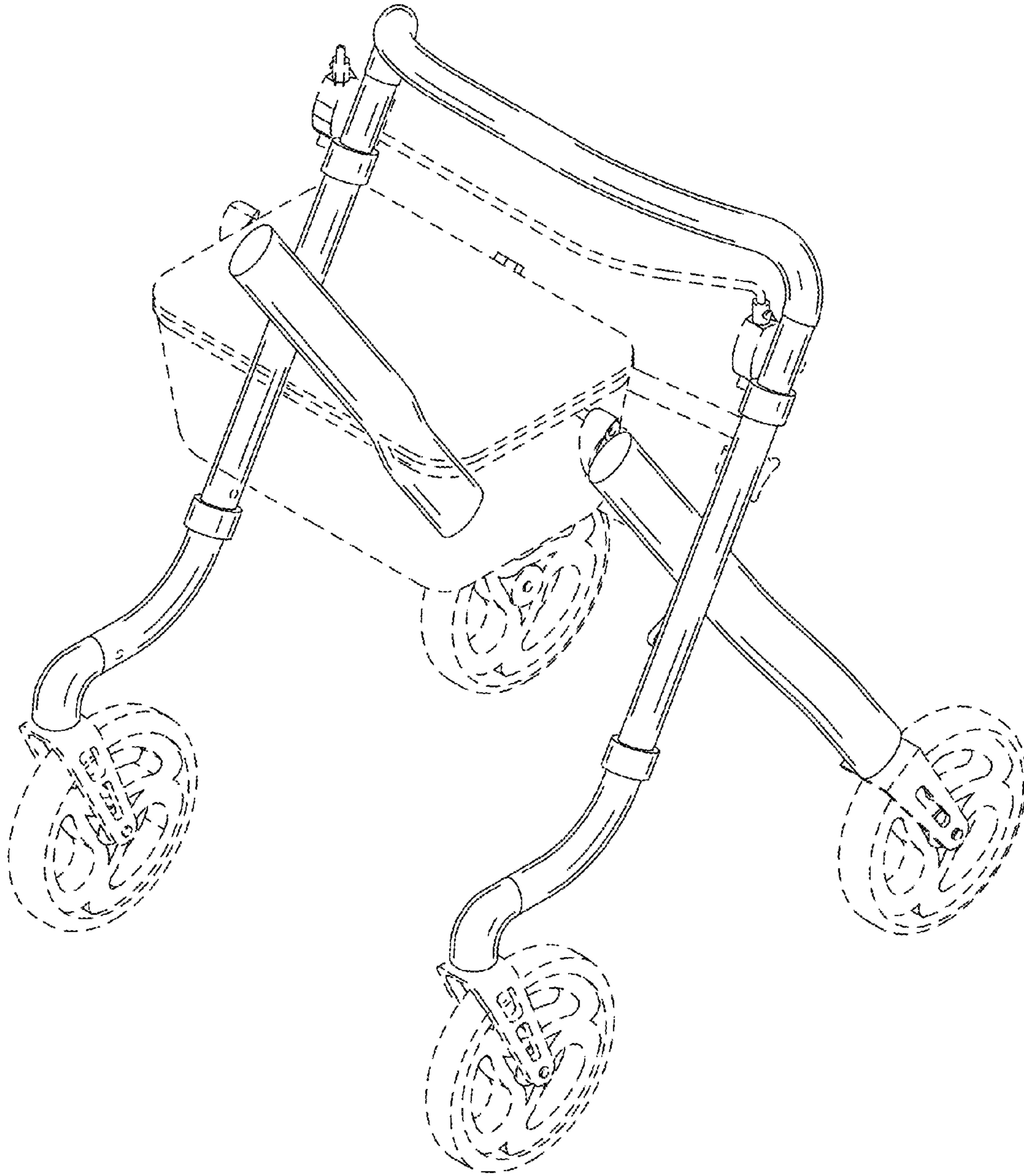


FIG. 1

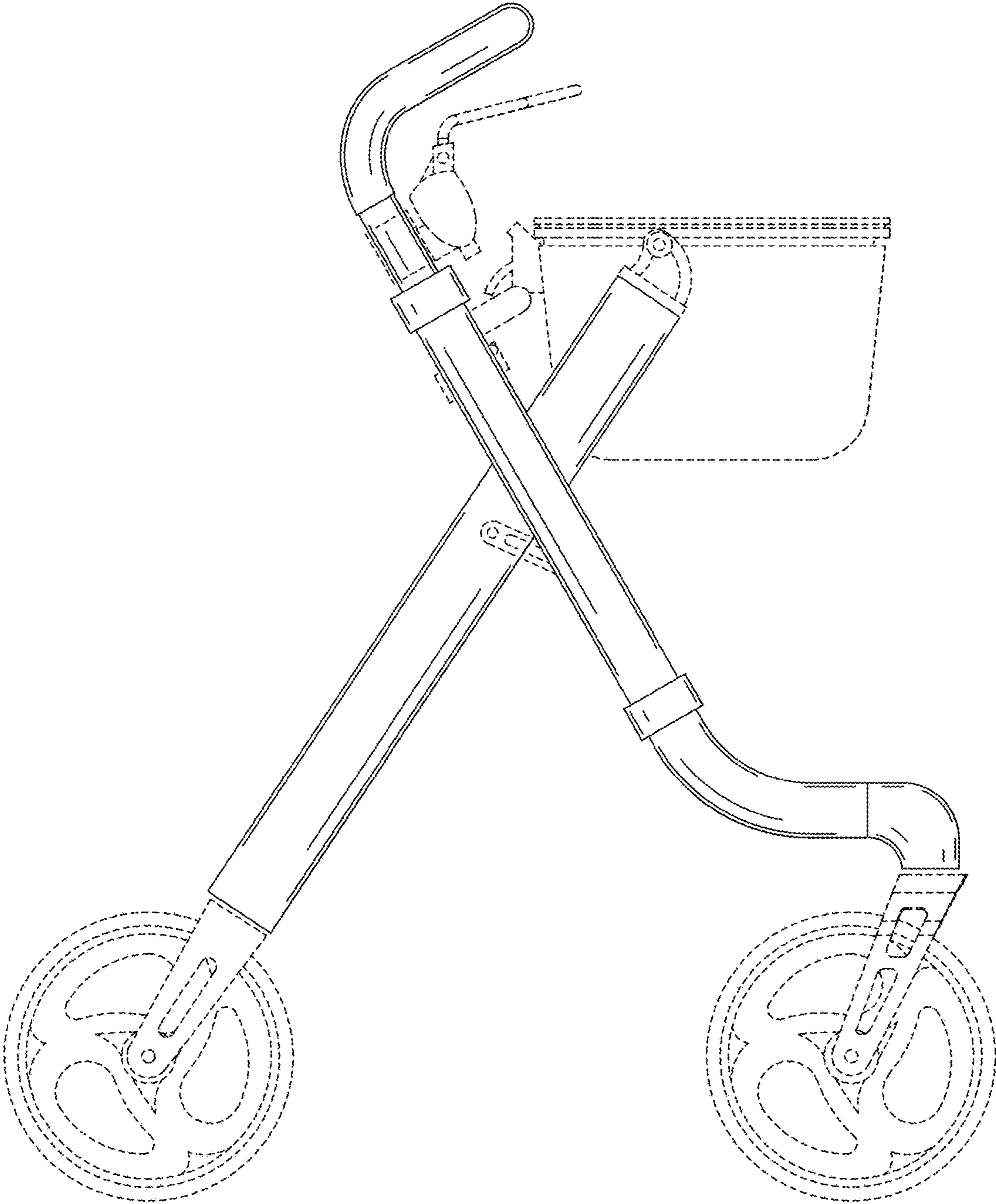


FIG.2

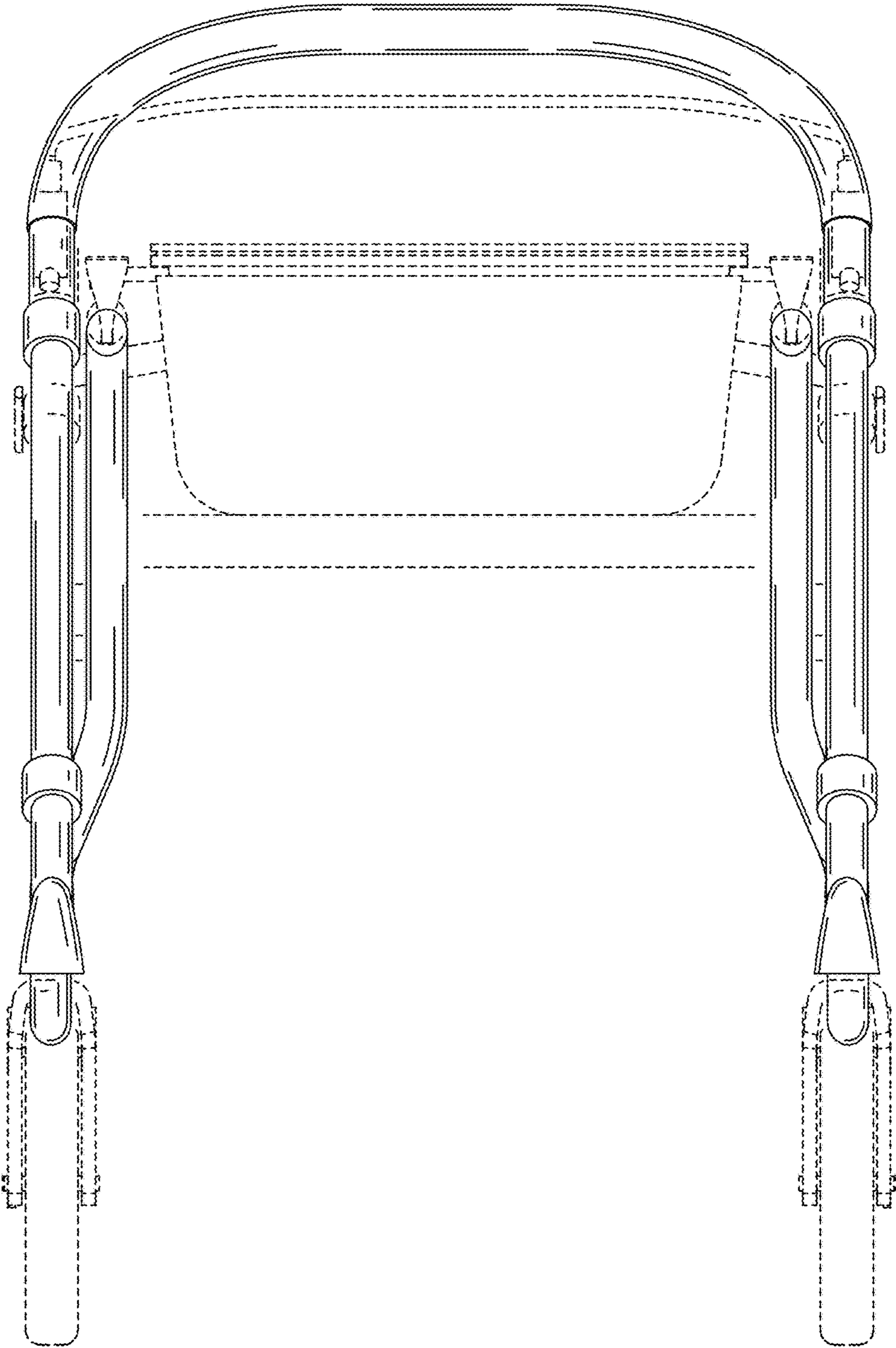


FIG. 3

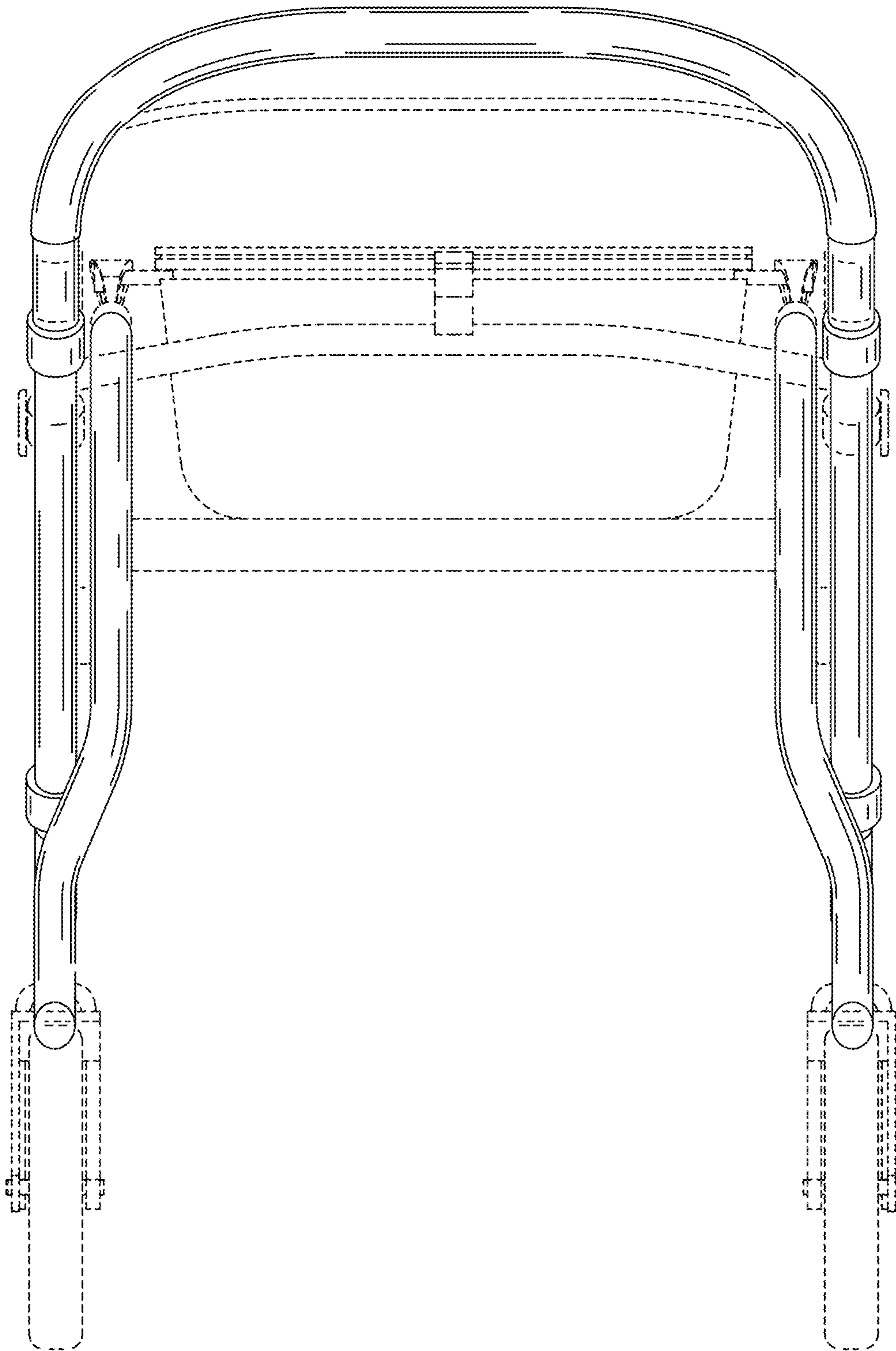


FIG. 4

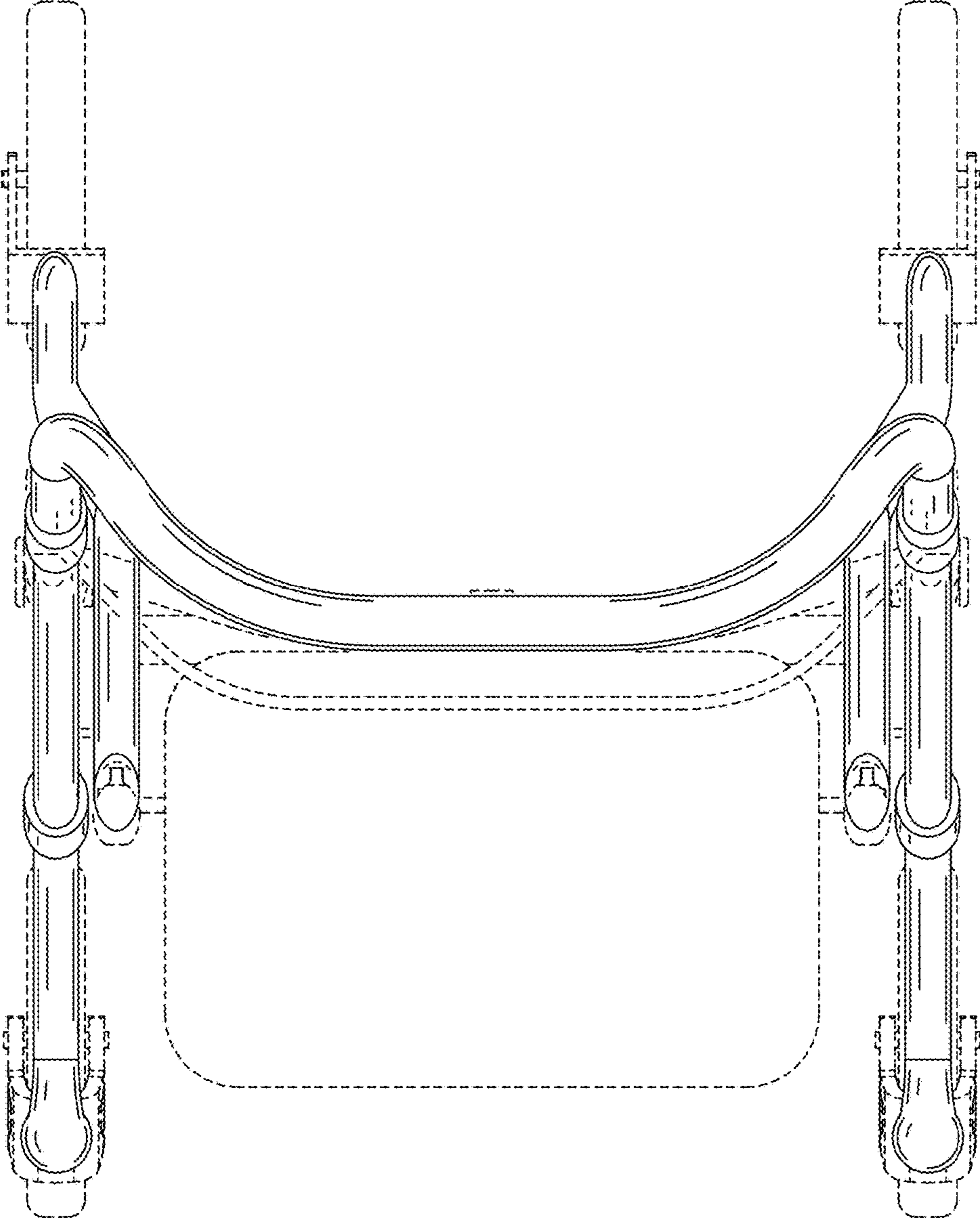


FIG.5

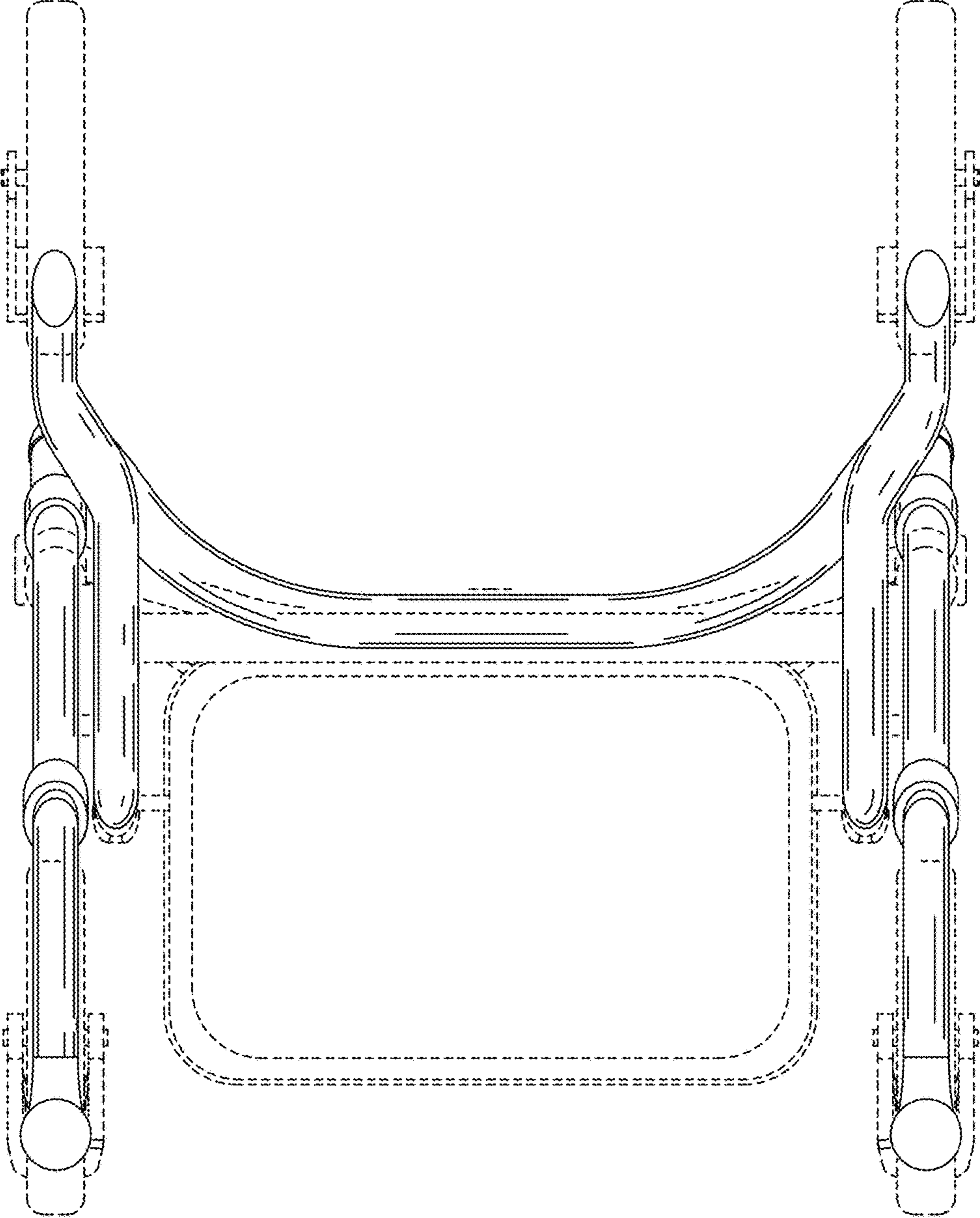


FIG. 6