



US00D789254S

(12) **United States Design Patent**
Koshiishi

(10) **Patent No.:** **US D789,254 S**

(45) **Date of Patent:** **** Jun. 13, 2017**

(54) **UPPER BODY SUPPORT FRAME WITH ELECTRIC MOTOR FOR WALKING AIDS**

(71) Applicant: **Honda Motor Co., Ltd.**, Tokyo (JP)

(72) Inventor: **Takeshi Koshiishi**, Wako (JP)

(73) Assignee: **Honda Motor Co., Ltd.**, Tokyo (JP)

(**) Term: **14 Years**

(21) Appl. No.: **29/509,595**

(22) Filed: **Nov. 19, 2014**

(30) **Foreign Application Priority Data**

May 23, 2014 (JP) 2014-011023

(51) **LOC (10) Cl.** **12-12**

(52) **U.S. Cl.**
USPC **D12/130**

(58) **Field of Classification Search**
USPC D12/128-133
CPC A61H 3/00; A61H 3/04; A61H 1/02; A61F 5/00
See application file for complete search history.

(56) **References Cited**

U.S. PATENT DOCUMENTS

- 7,048,707 B2 * 5/2006 Schwenn A61F 5/0125
602/12
- 7,190,141 B1 * 3/2007 Ashrafioun B25J 9/0006
318/568.12
- 7,628,766 B1 * 12/2009 Kazerooni A61F 5/00
601/35
- 8,057,410 B2 * 11/2011 Angold A61H 3/00
601/35
- 8,603,016 B2 * 12/2013 Shimizu A61H 1/0244
601/35
- 8,845,566 B2 * 9/2014 Johnson B25J 9/0006
602/16

- 9,158,376 B2 * 10/2015 Kazerooni G05B 15/02
- 2008/0156363 A1 * 7/2008 Ikeuchi A61H 3/00
135/65
- 2011/0218466 A1 * 9/2011 Takahashi A61H 1/0244
601/35

(Continued)

Primary Examiner — Charles Hanson

(74) *Attorney, Agent, or Firm* — Plumsea Law Group, LLC

(57) **CLAIM**

The ornamental design for an upper body support frame with electric motor for walking aids, as shown and described.

DESCRIPTION

FIG. 1 is a perspective view from the front and left of an upper body support frame with electric motor for walking aids.

FIG. 2 is a perspective view from the front and right thereof.

FIG. 3 is a perspective view from the rear and right thereof.

FIG. 4 is a perspective view from the rear and left thereof.

FIG. 5 is a front elevation view thereof.

FIG. 6 is a rear elevation view thereof.

FIG. 7 is a top plan view thereof.

FIG. 8 is a bottom plan view thereof.

FIG. 9 is a right side elevation view thereof.

FIG. 10 is a left side elevation view thereof.

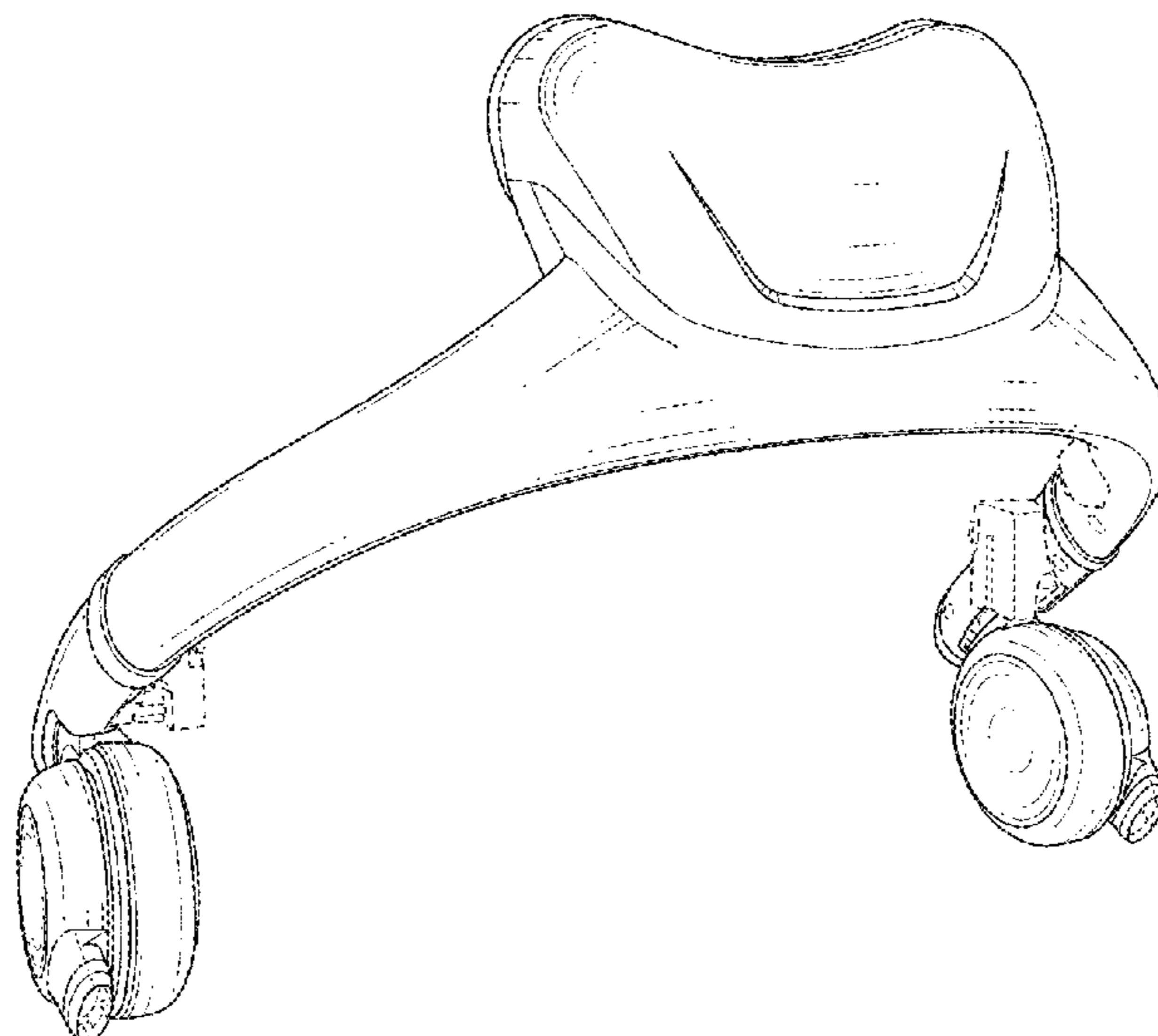
FIG. 11 is a further perspective view from the front and left, shown in the context of an operator;

FIG. 12 is a further perspective view from the rear and right thereof; and,

FIG. 13 is a further perspective view from the front and left thereof.

The broken line showing of the operator in FIGS. 11-13 are for illustrating environment, and the broken lines in FIGS. 1-13 illustrate portions of the upper body support frame that form no part of claimed design.

1 Claim, 13 Drawing Sheets



(56)

References Cited

U.S. PATENT DOCUMENTS

2015/0123365 A1* 5/2015 Izard A61H 3/008
280/47.34

* cited by examiner

FIG. 1

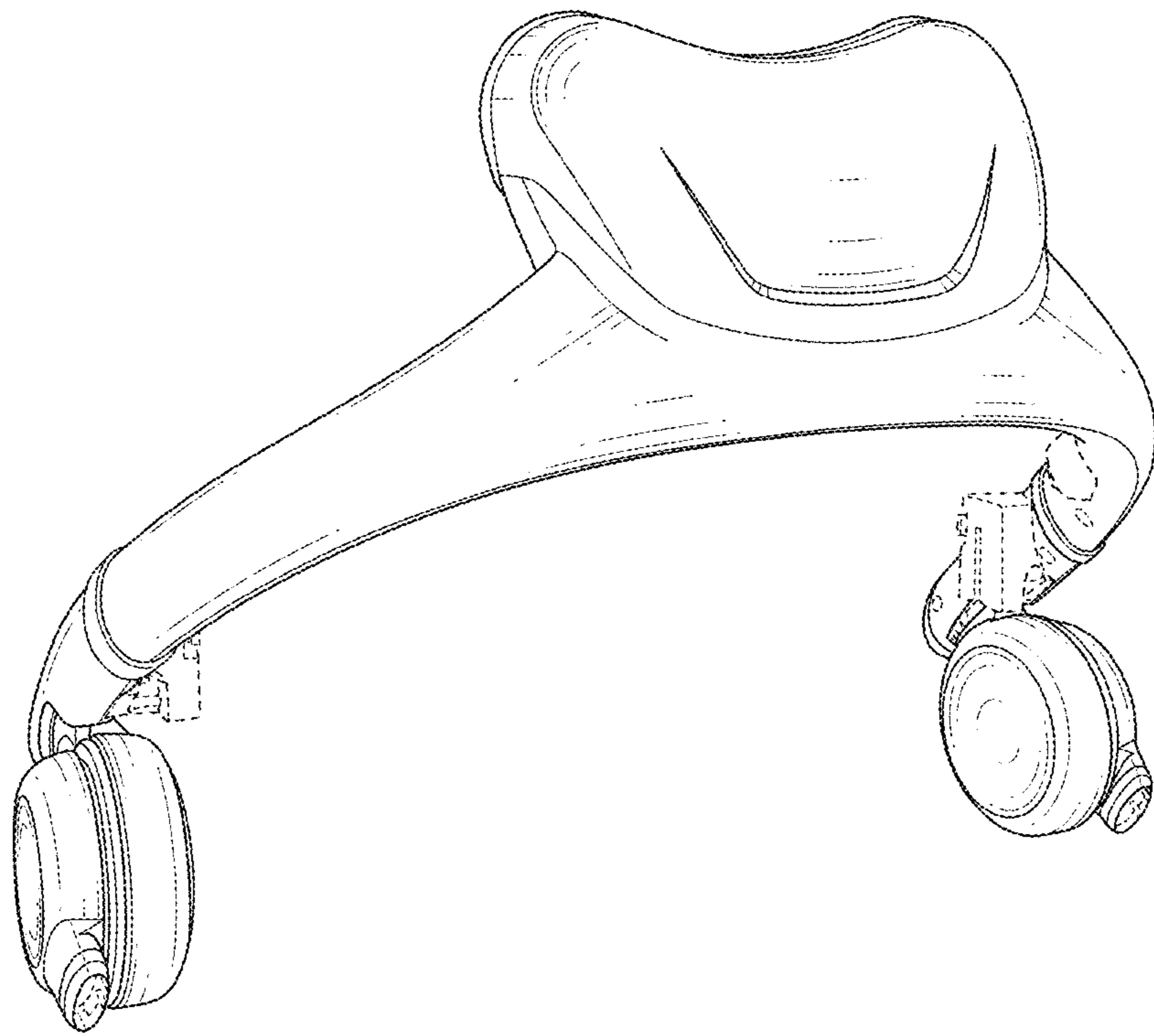


FIG. 2

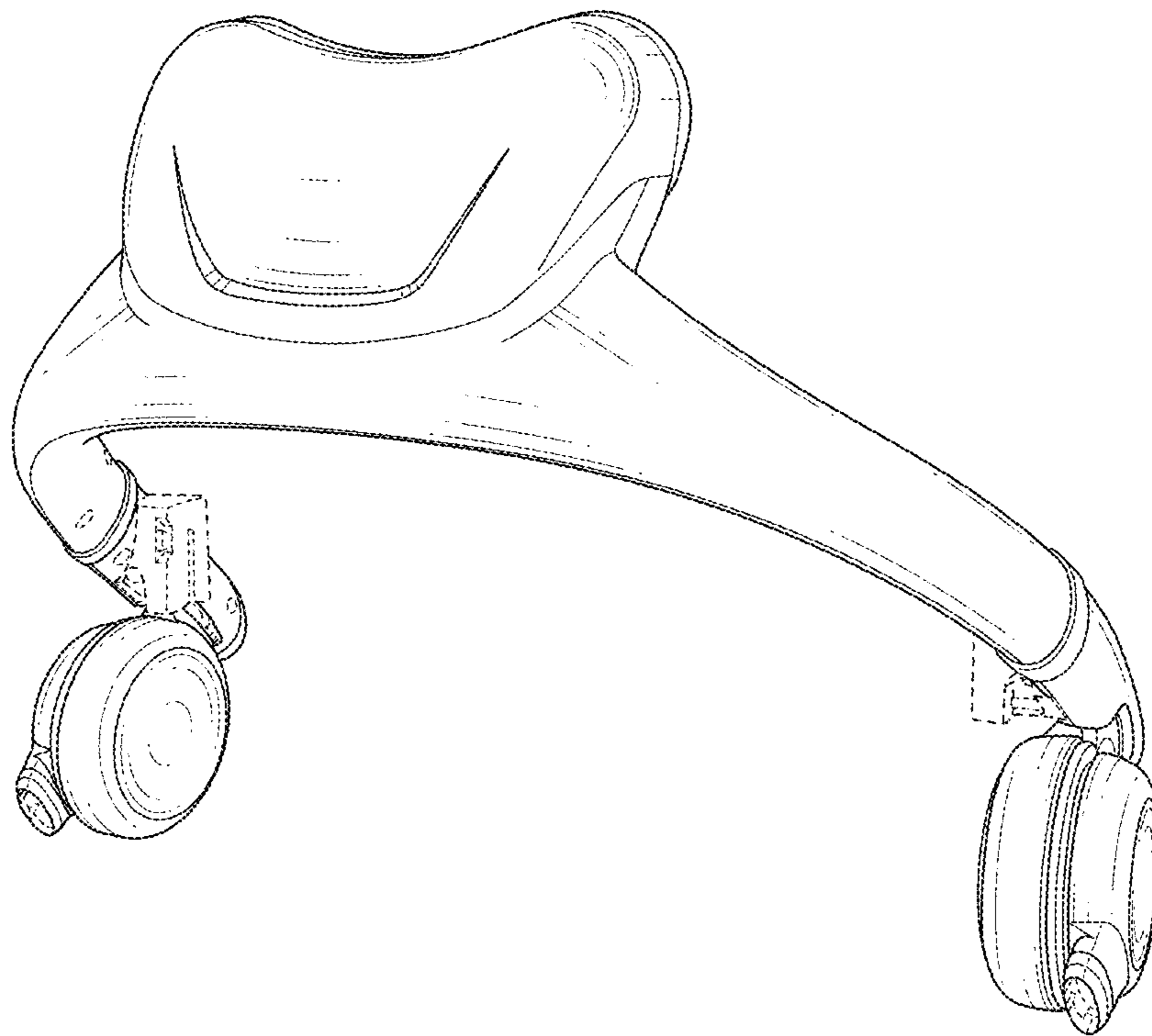


FIG. 3

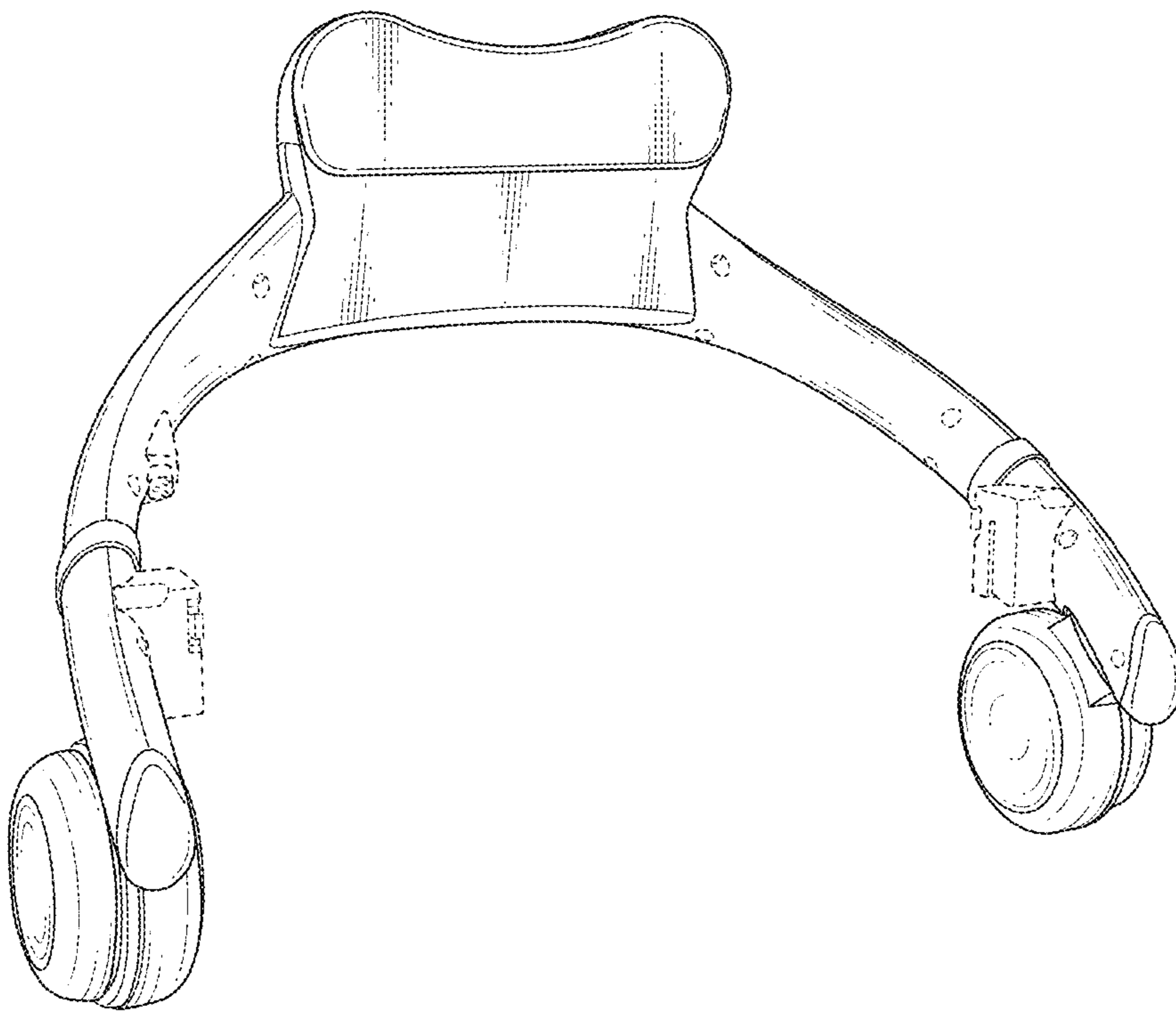


FIG. 4

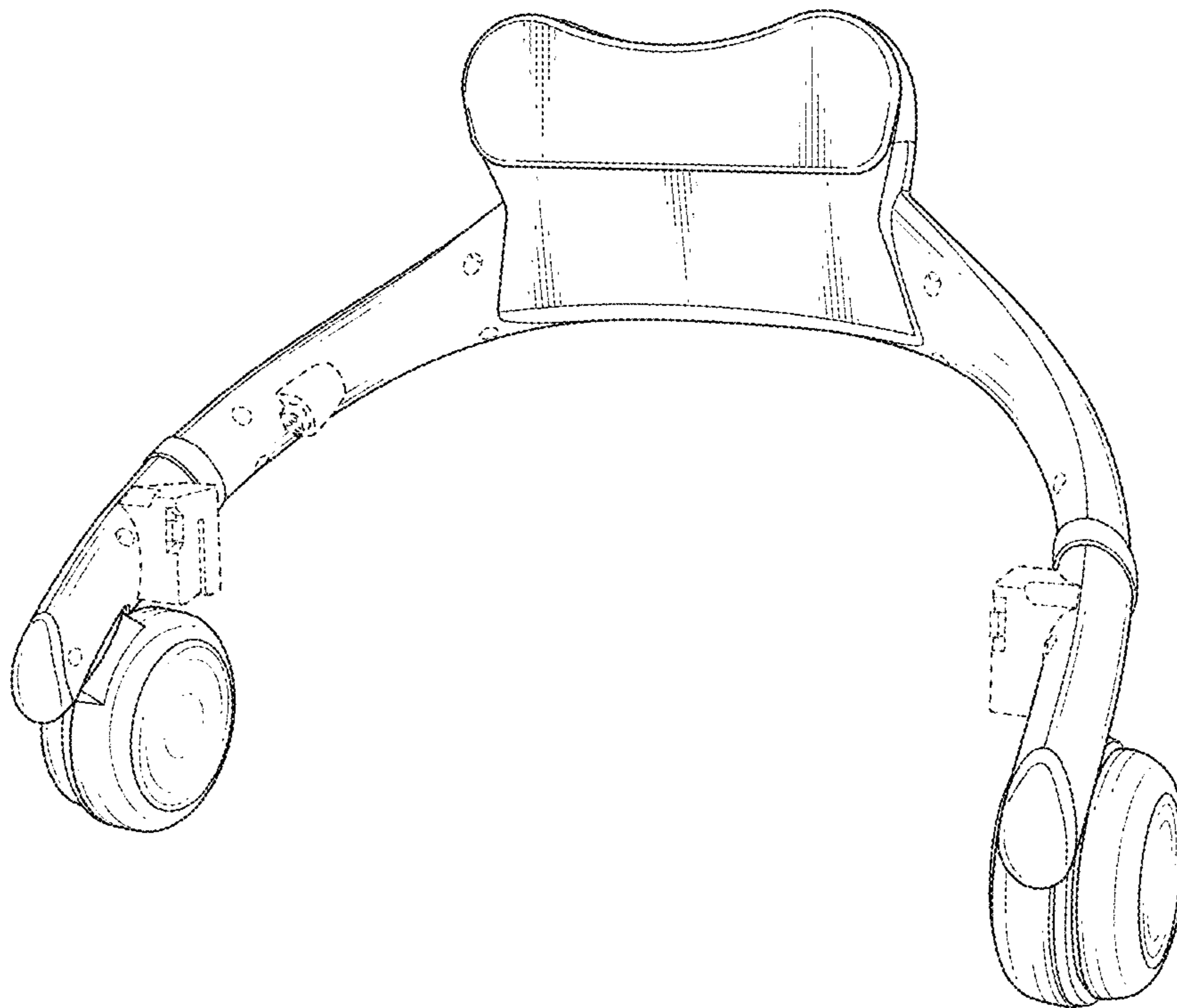


FIG. 5

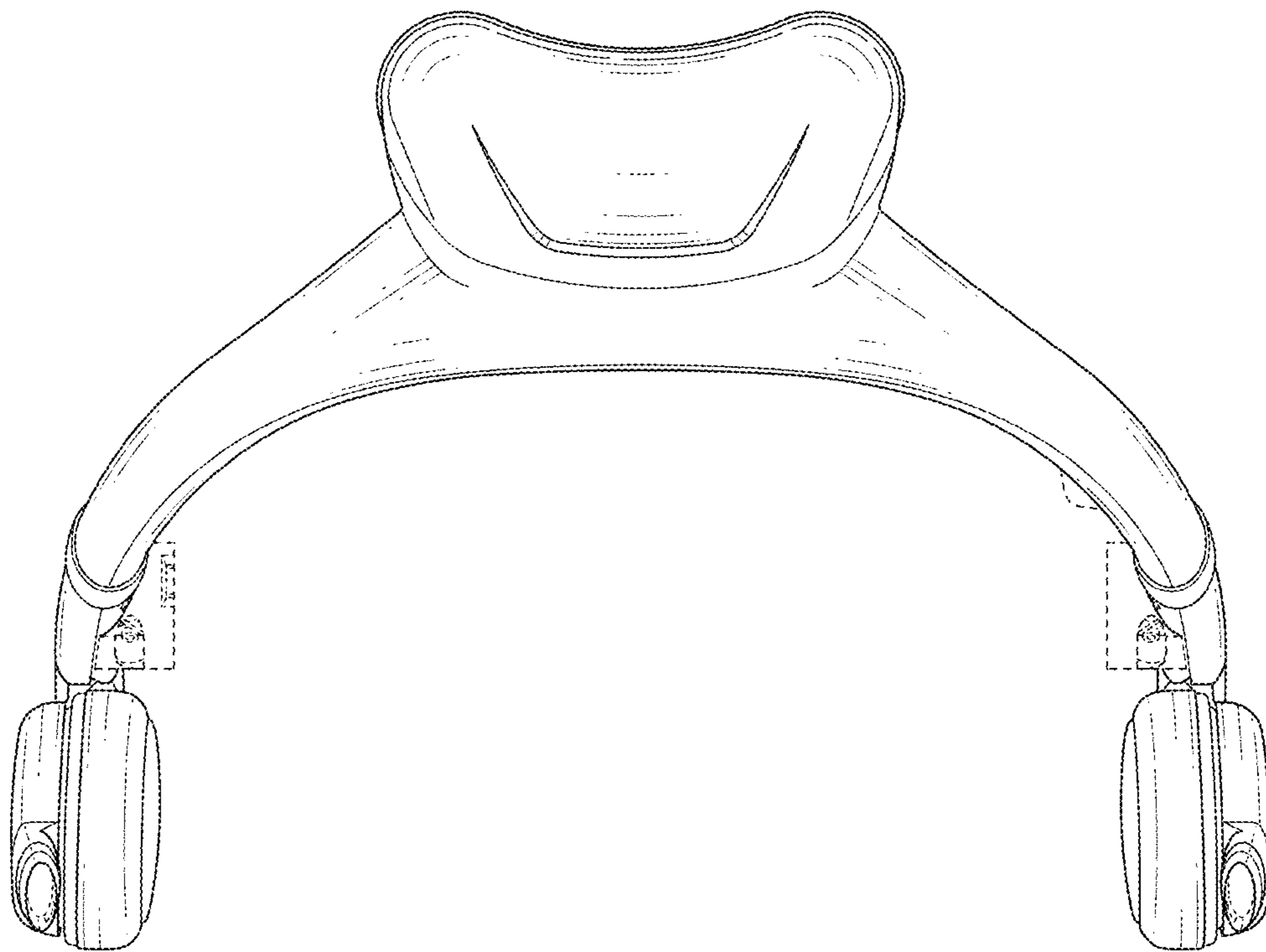


FIG. 6

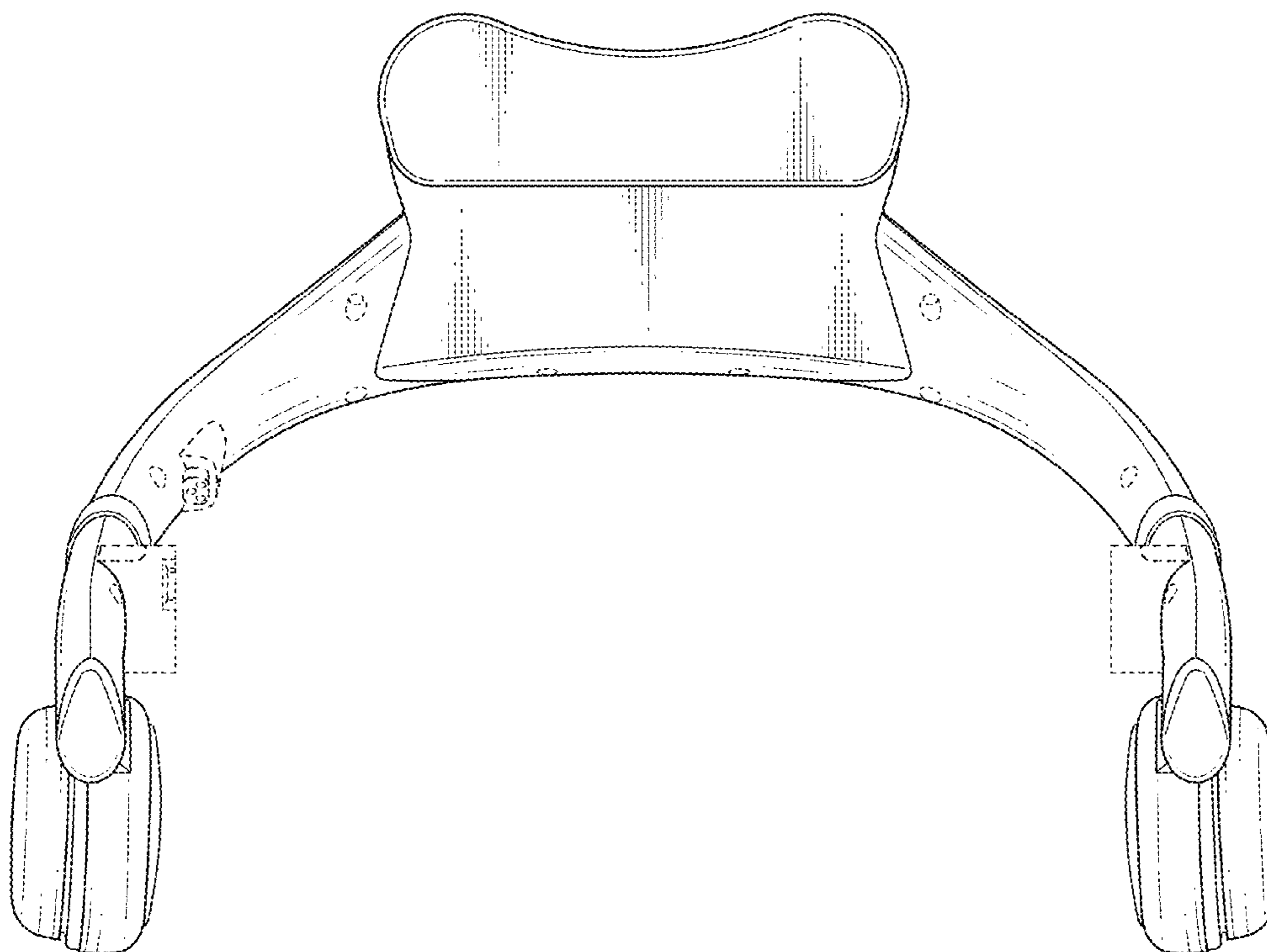


FIG. 7

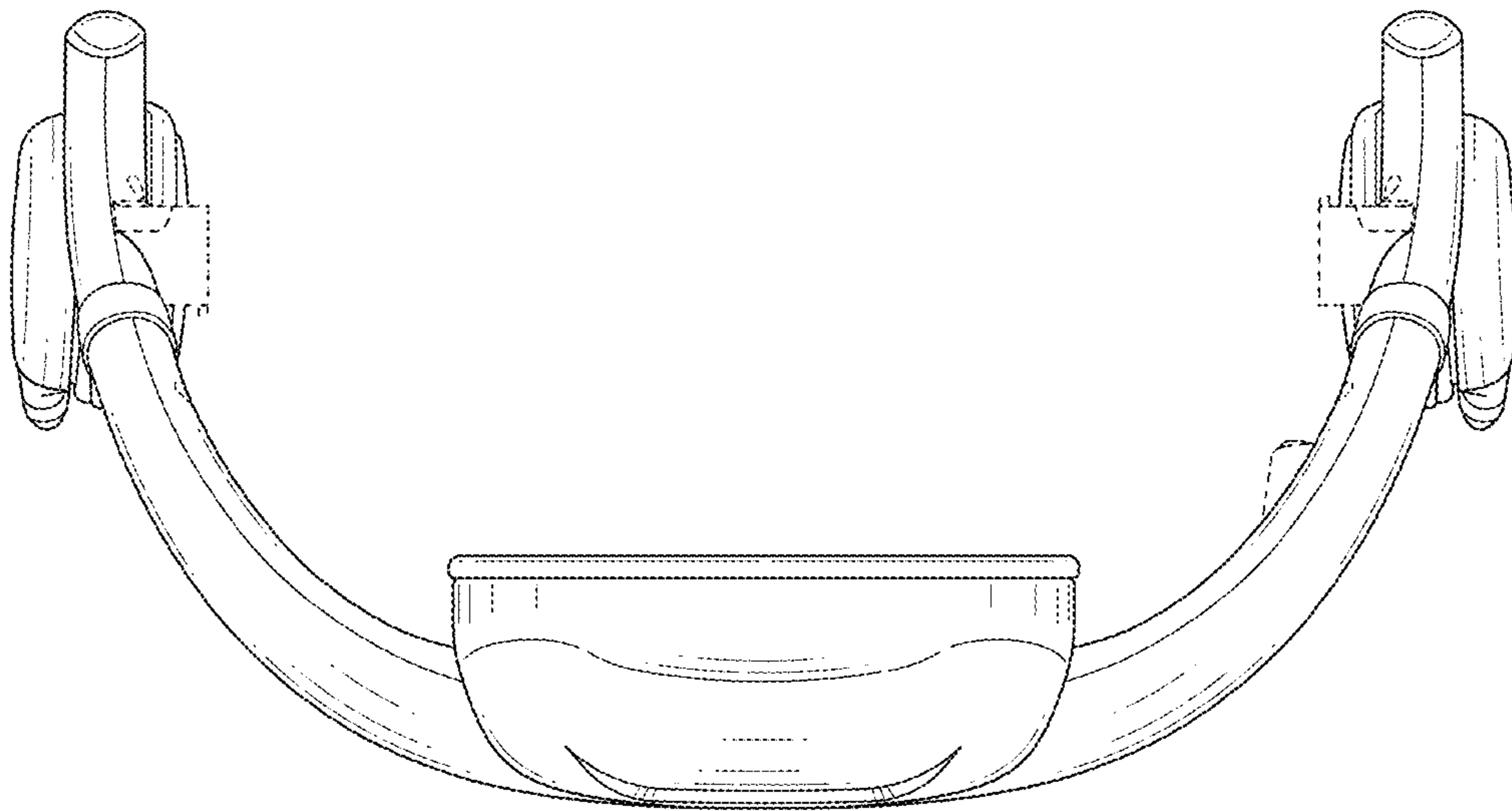


FIG. 8

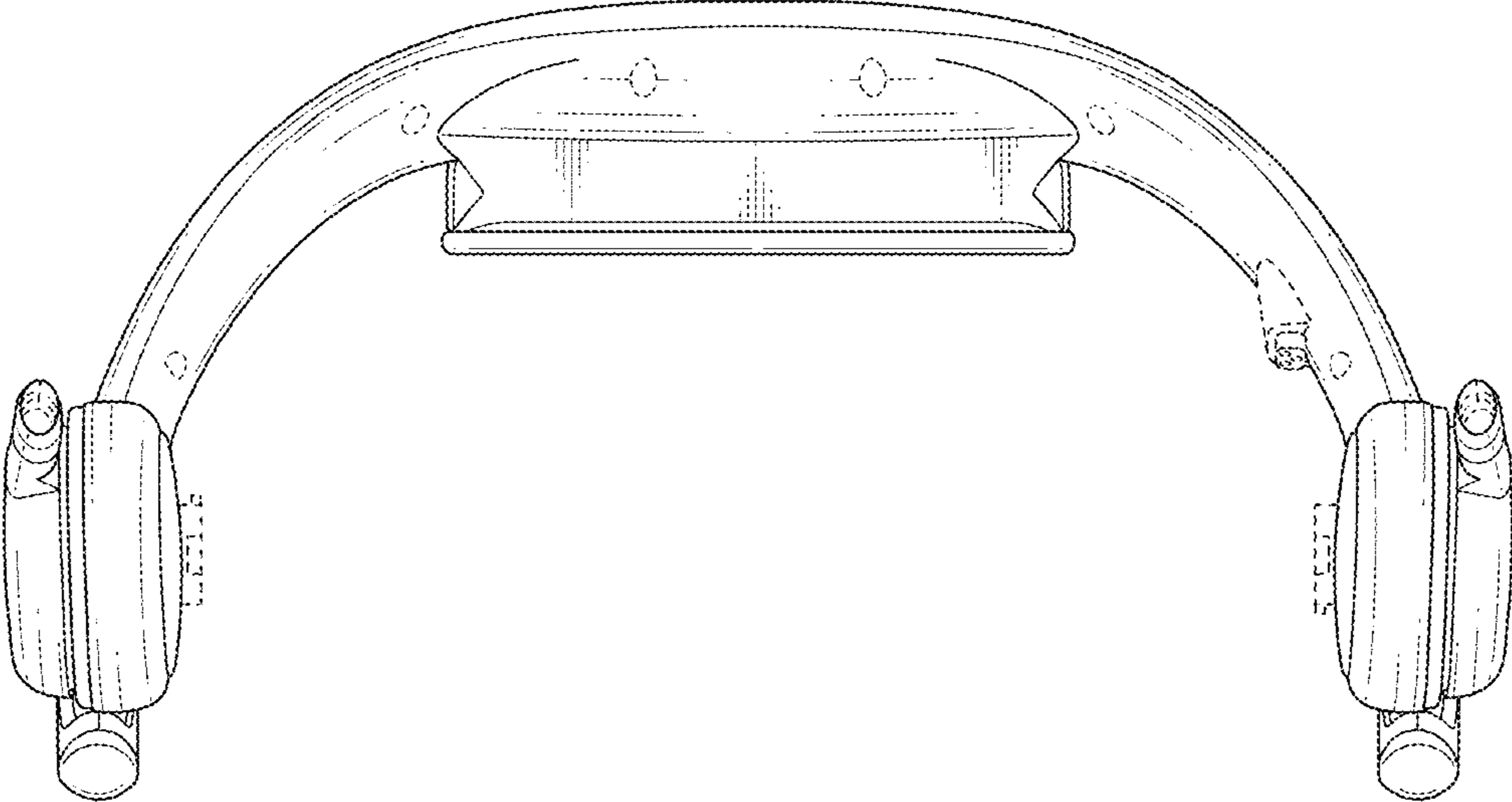


FIG. 9

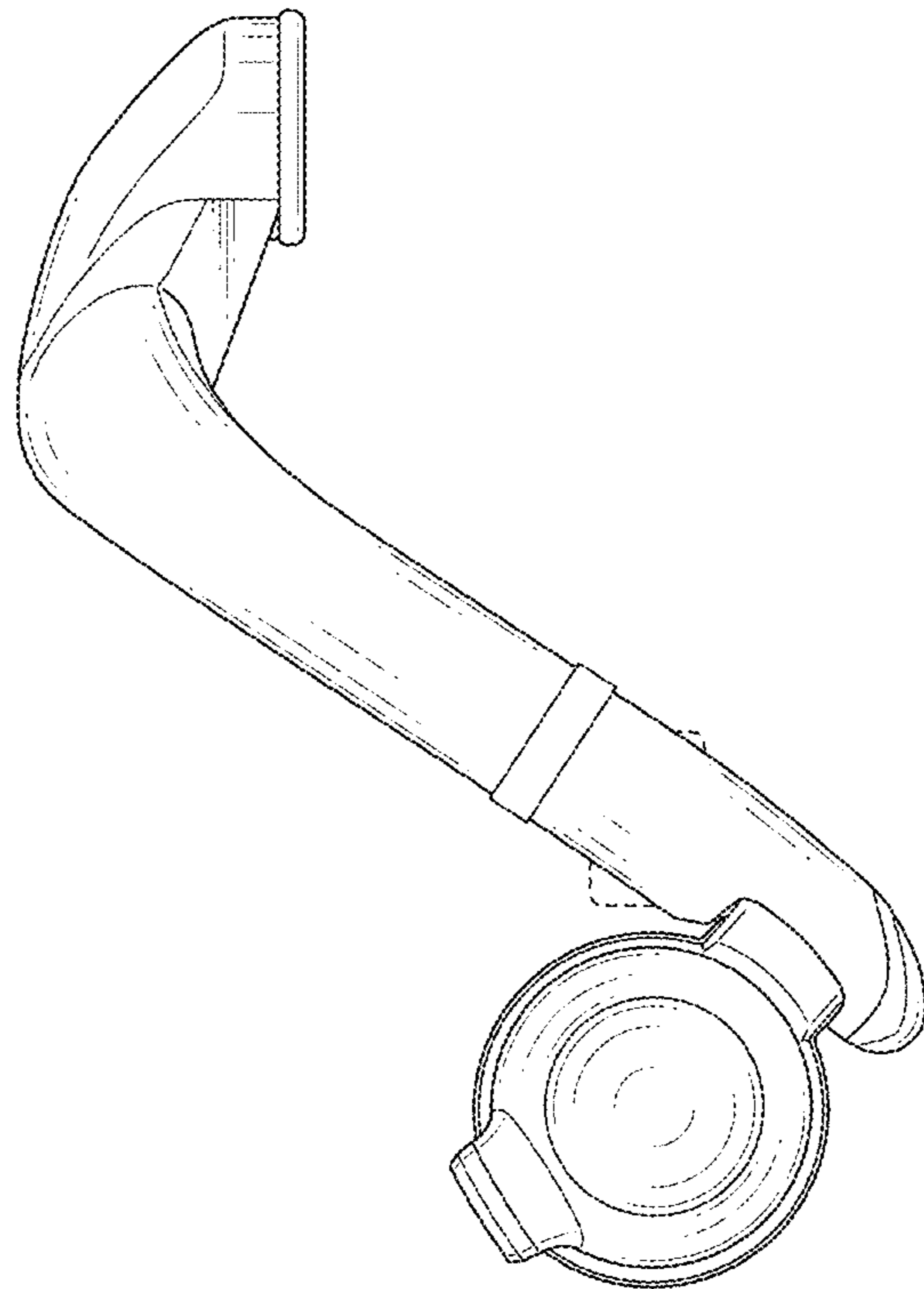


FIG. 10

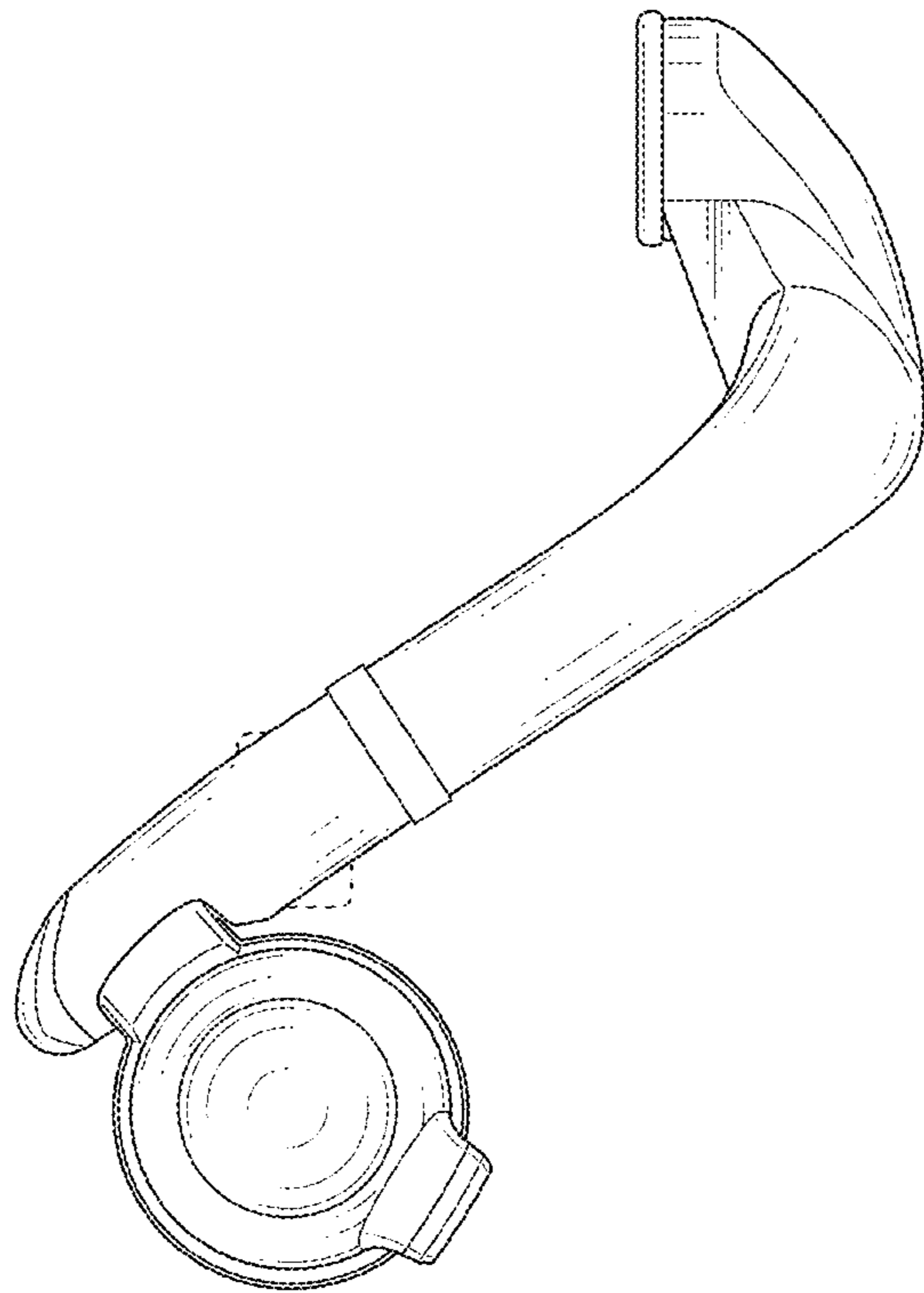


FIG. 11

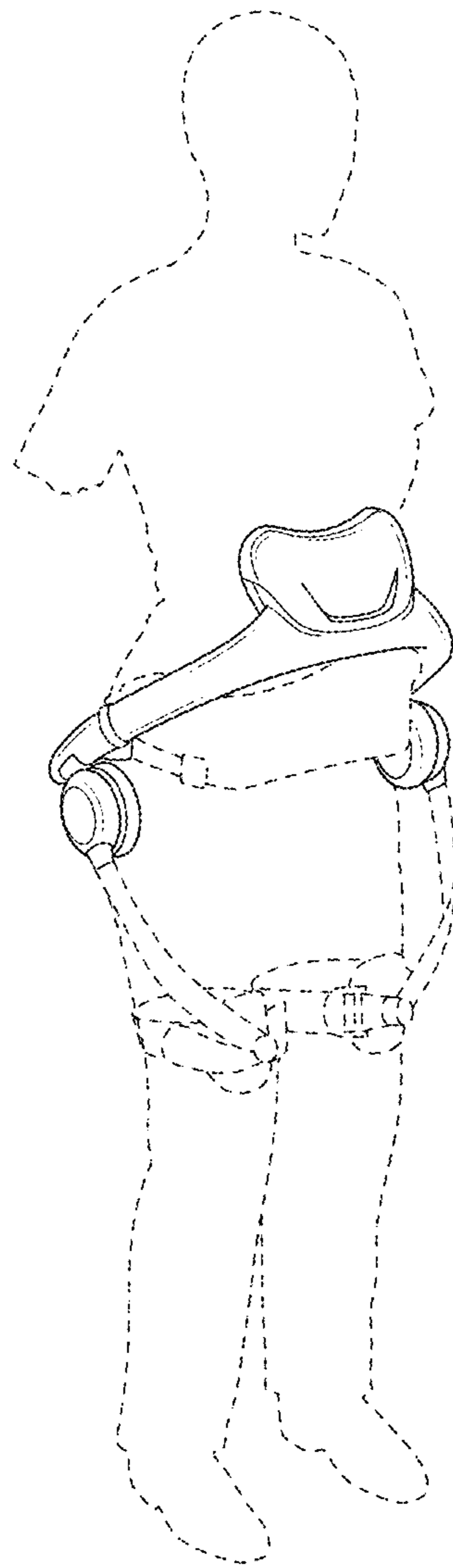


FIG. 12

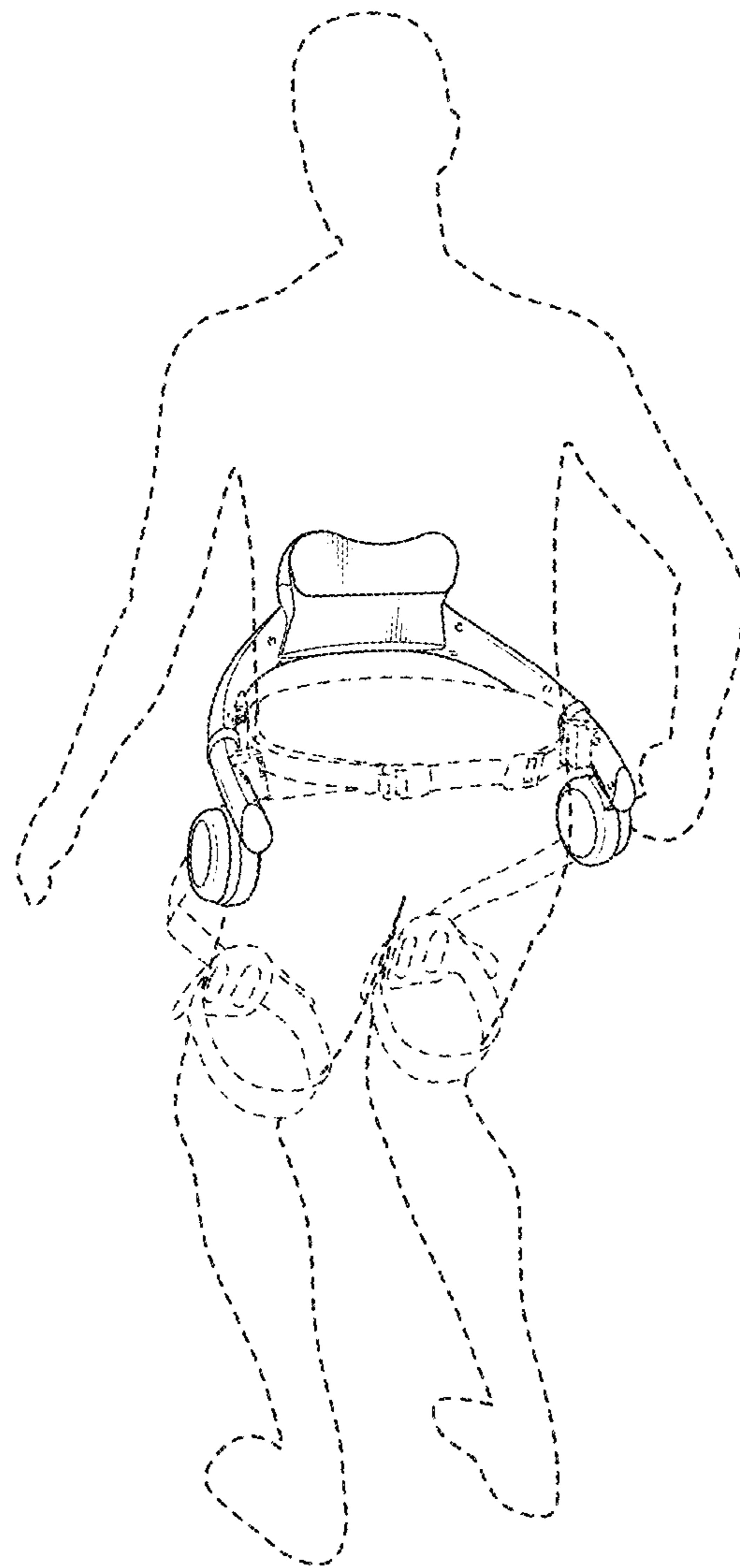


FIG. 13

