



US00D789253S

(12) **United States Design Patent**
Wang

(10) **Patent No.:** **US D789,253 S**
(45) **Date of Patent:** **** Jun. 13, 2017**

- (54) **STROLLER**
- (71) Applicant: **Kingstar Business Group Corporation**, Tortola (VG)
- (72) Inventor: **Zhenquan Wang**, Tortola (VG)
- (**) Term: **15 Years**
- (21) Appl. No.: **29/578,469**
- (22) Filed: **Sep. 22, 2016**
- (51) **LOC (10) Cl.** **12-12**
- (52) **U.S. Cl.**
USPC **D12/129**
- (58) **Field of Classification Search**
USPC D12/128–133
CPC B62B 7/00–7/04; B62B 9/00–9/28
See application file for complete search history.

D643,343 S *	8/2011	Song	D12/129
D661,624 S *	6/2012	Stopp	D12/129
D672,692 S *	12/2012	Jane Santamaria	D12/129
D677,605 S *	3/2013	Ide	D12/129
D715,702 S *	10/2014	Chen	D12/129
D721,015 S *	1/2015	Bassan	D12/129
D726,078 S *	4/2015	Liao	D12/129
D733,617 S *	7/2015	Angelfoss	D12/129
D737,733 S *	9/2015	Zhong	D12/129
D747,669 S *	1/2016	Cheng	D12/129
D753,027 S *	4/2016	Jane Santamaria	D12/129
D754,033 S *	4/2016	Angelfoss	D12/129

* cited by examiner

Primary Examiner — Charles Hanson

(74) *Attorney, Agent, or Firm* — Prakash Nama; Global IP Services, PLLC

(57) **CLAIM**

The ornamental design for a stroller, as shown.

DESCRIPTION

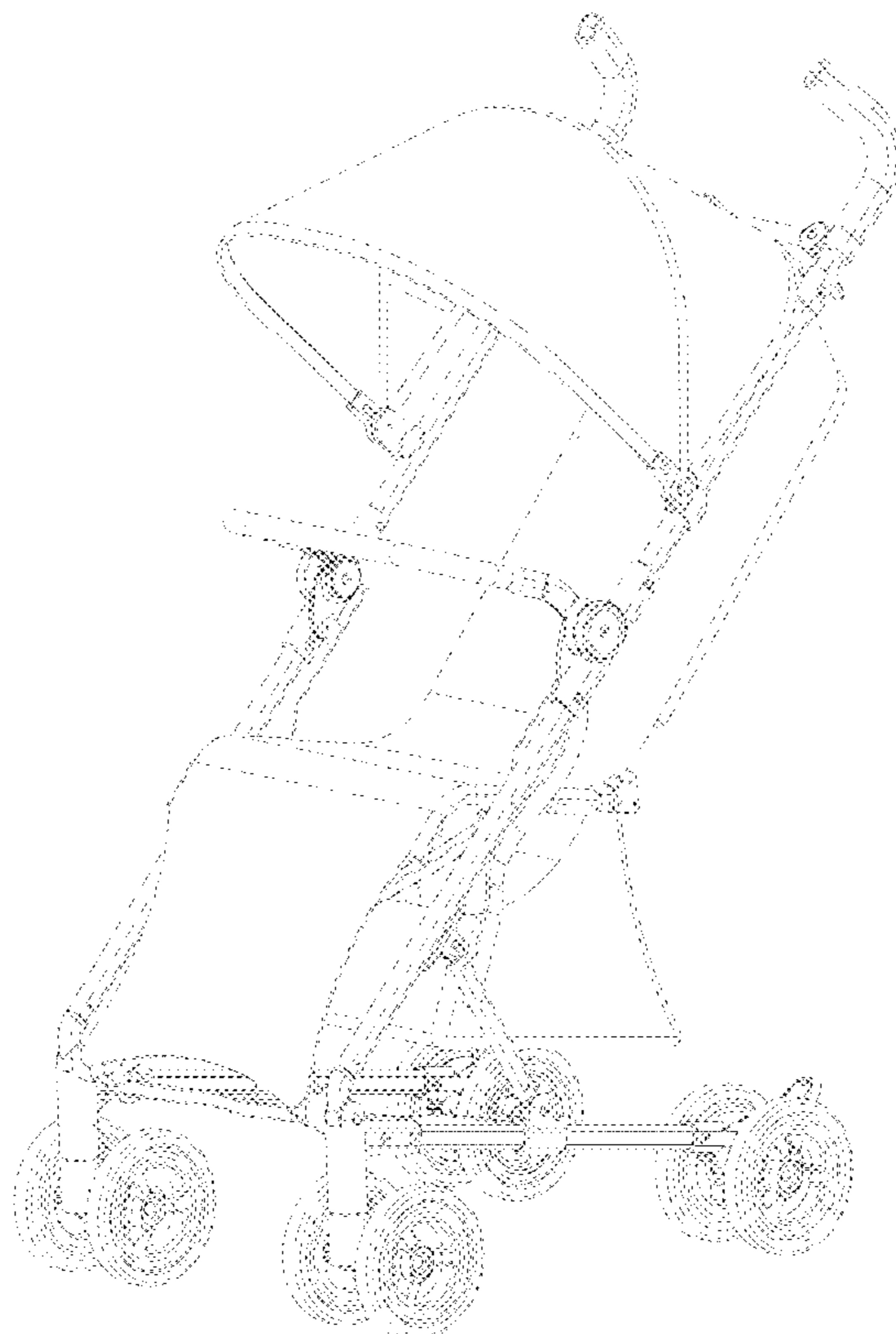
FIG. 1 is a front elevational view of a stroller showing my new design;
 FIG. 2 is a rear elevational view thereof;
 FIG. 3 is a left side view thereof;
 FIG. 4 is a right side view thereof;
 FIG. 5 is a top plan view thereof;
 FIG. 6 is a bottom plan view thereof;
 FIG. 7 is a perspective view thereof;
 FIG. 8 is a second perspective view thereof; and,
 FIG. 9 is a third perspective view thereof.

1 Claim, 9 Drawing Sheets

(56) **References Cited**

U.S. PATENT DOCUMENTS

D375,707 S *	11/1996	Yang	D12/129
D519,422 S *	4/2006	Huang	D12/129
7,267,359 B1 *	9/2007	Yang	B62B 7/08
				280/47.34
7,364,171 B2 *	4/2008	Hu	B60B 1/006
				280/47.38
D578,044 S *	10/2008	Chen	D12/129
D593,459 S *	6/2009	Liao	D12/129
D596,996 S *	7/2009	Yang	D12/129
D621,306 S *	8/2010	Liao	D12/129



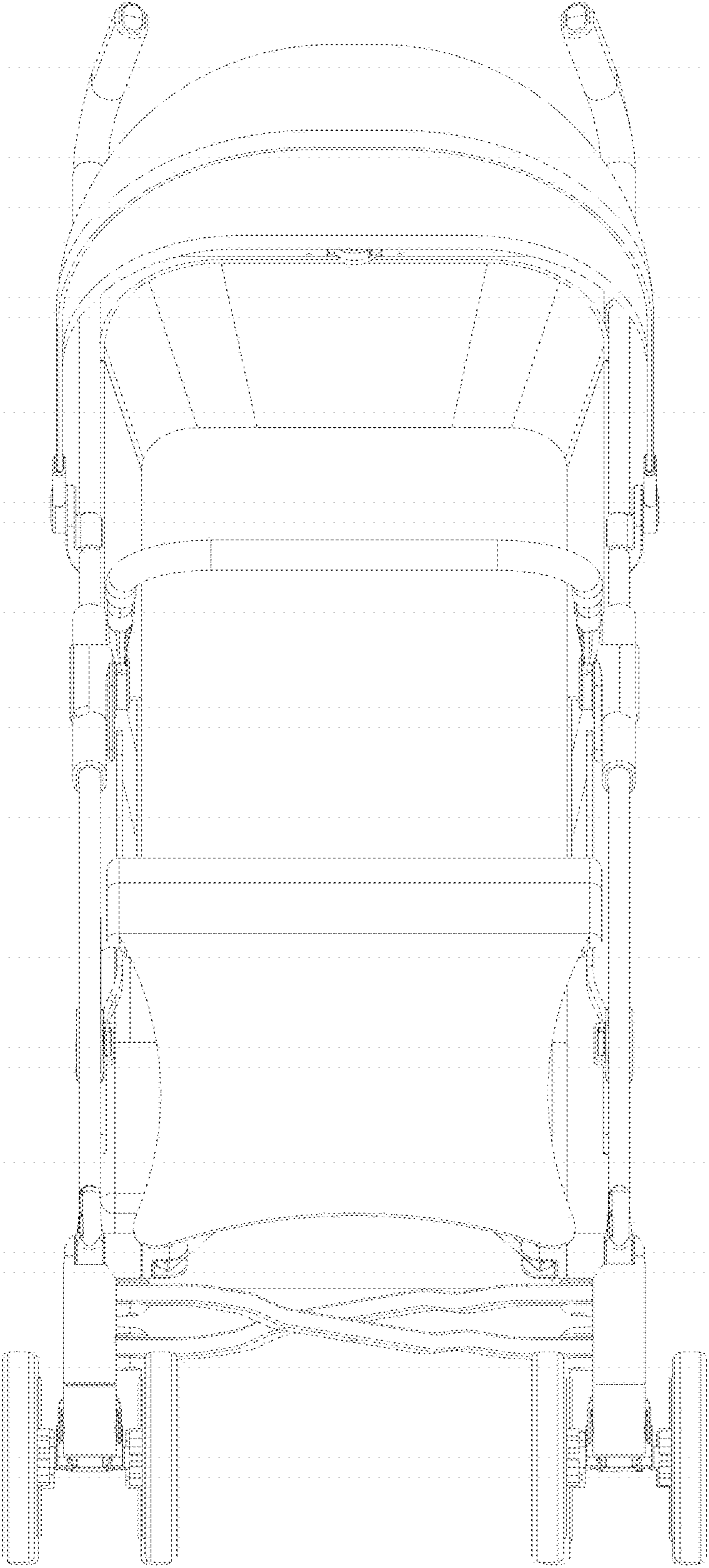


FIG. 1

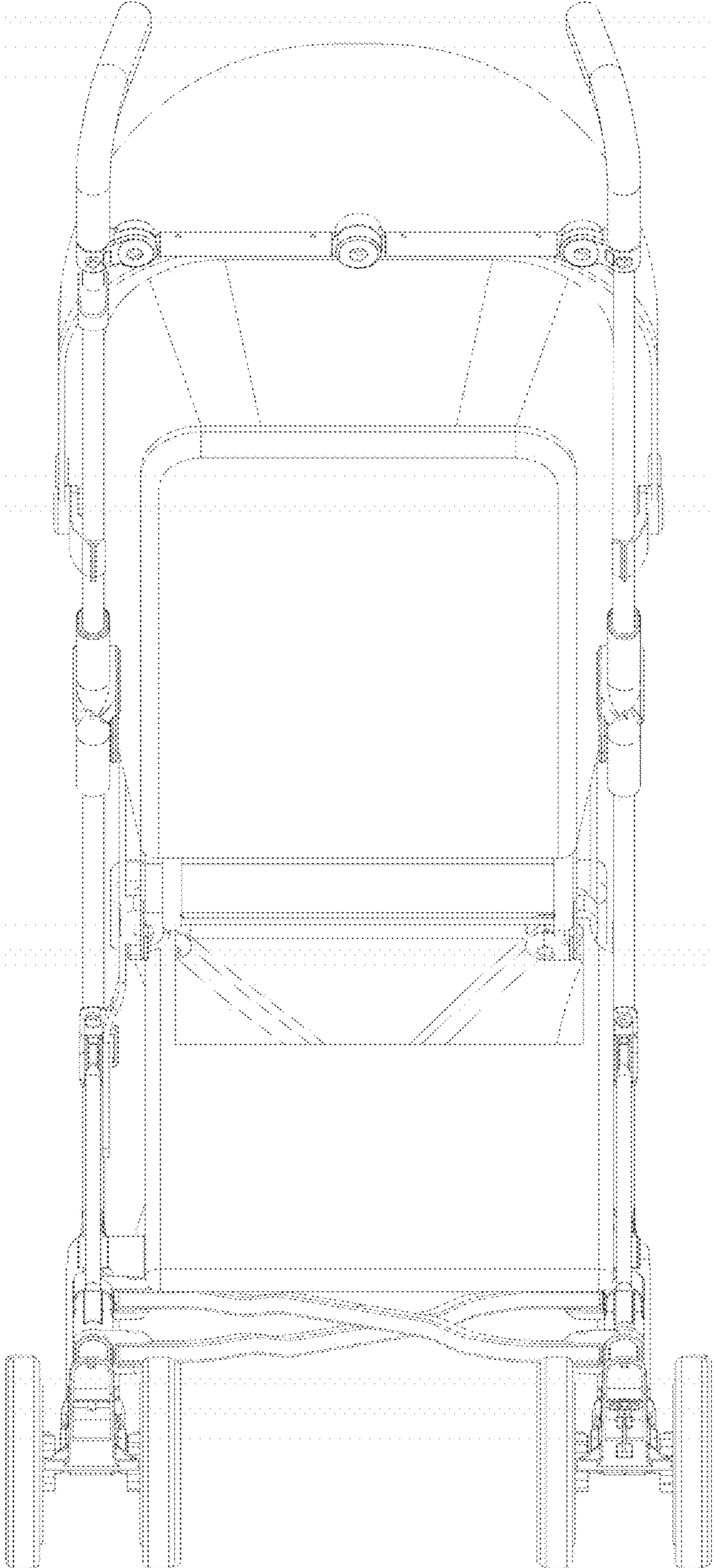


FIG. 2

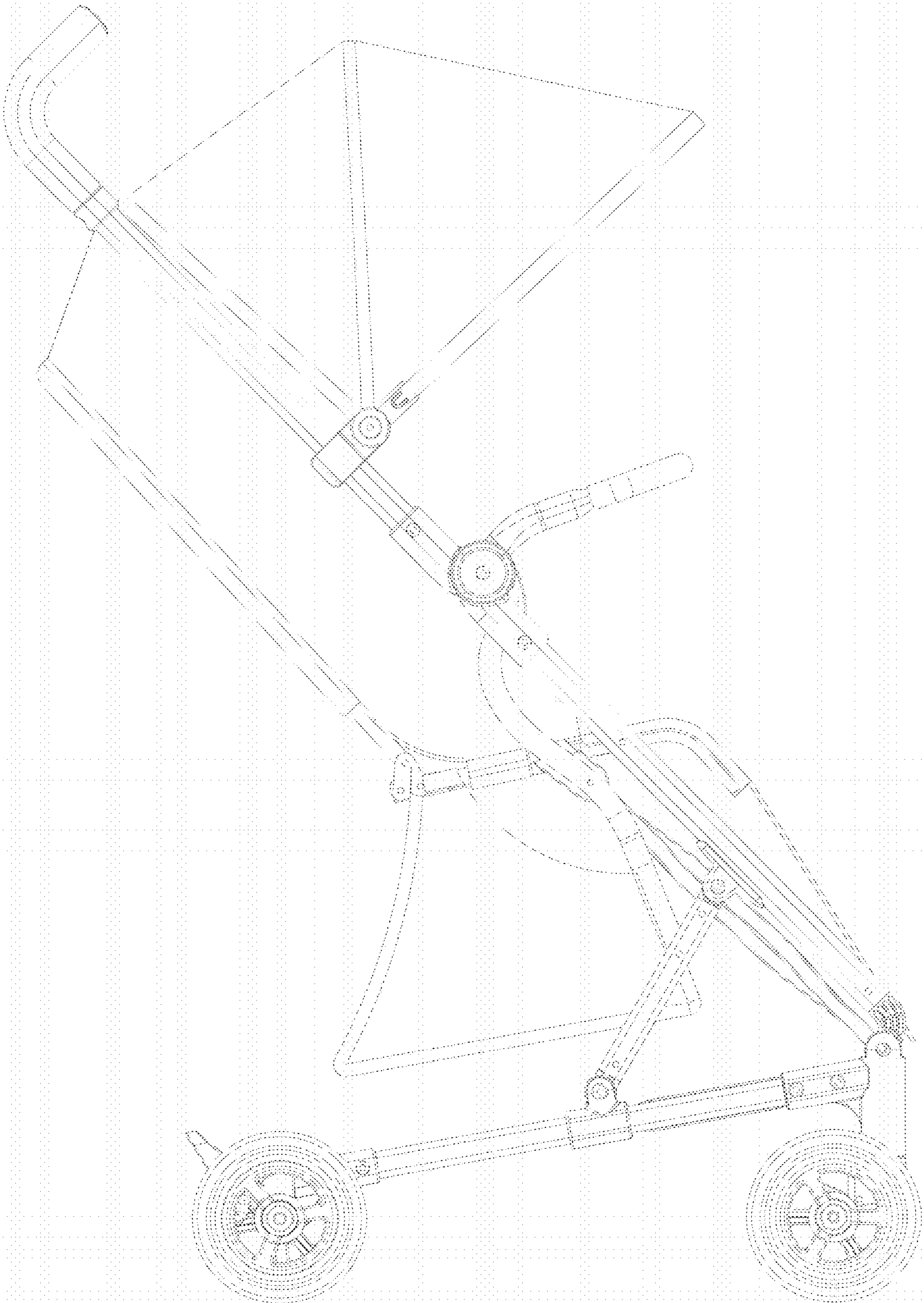


FIG. 3

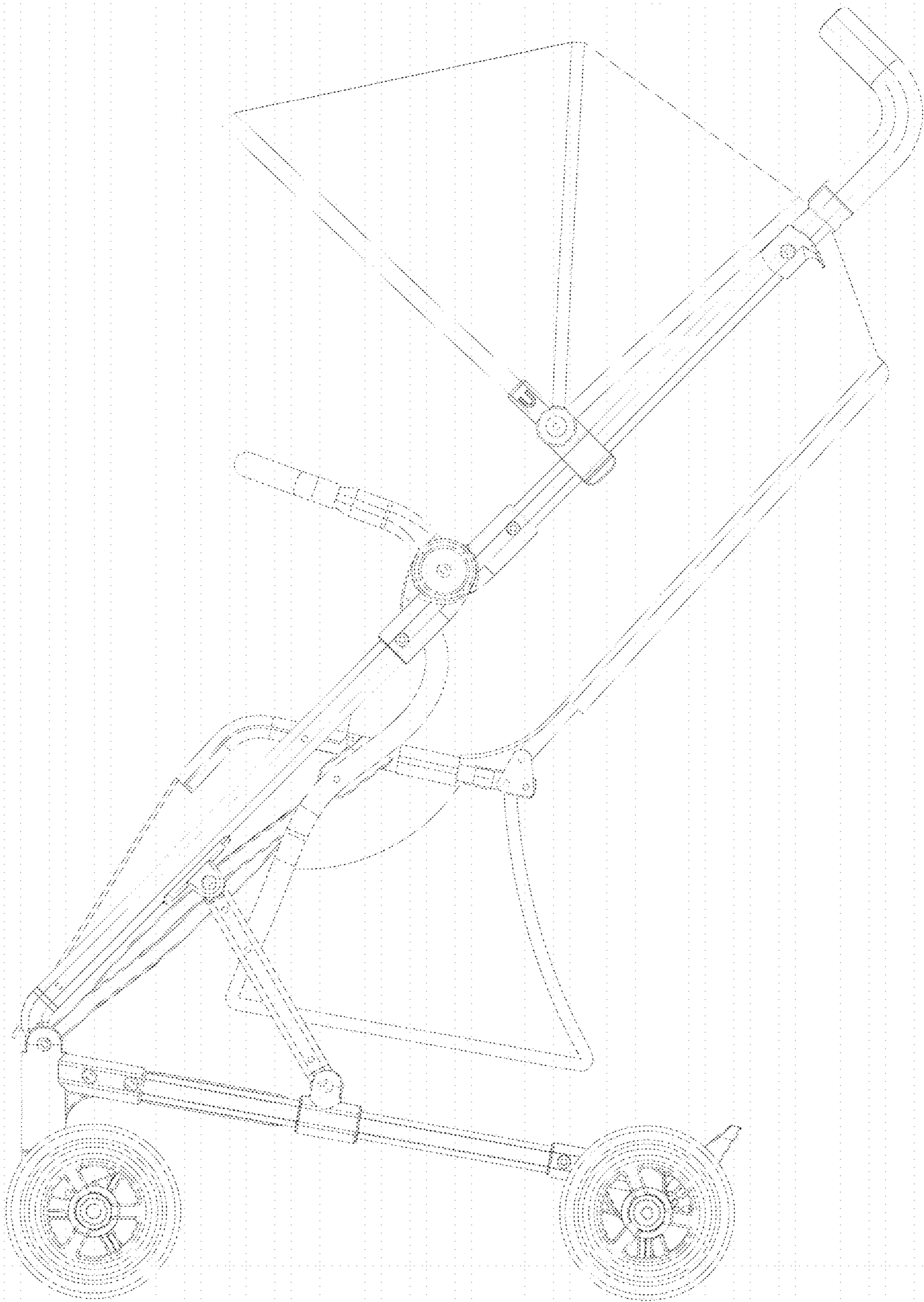


FIG. 4

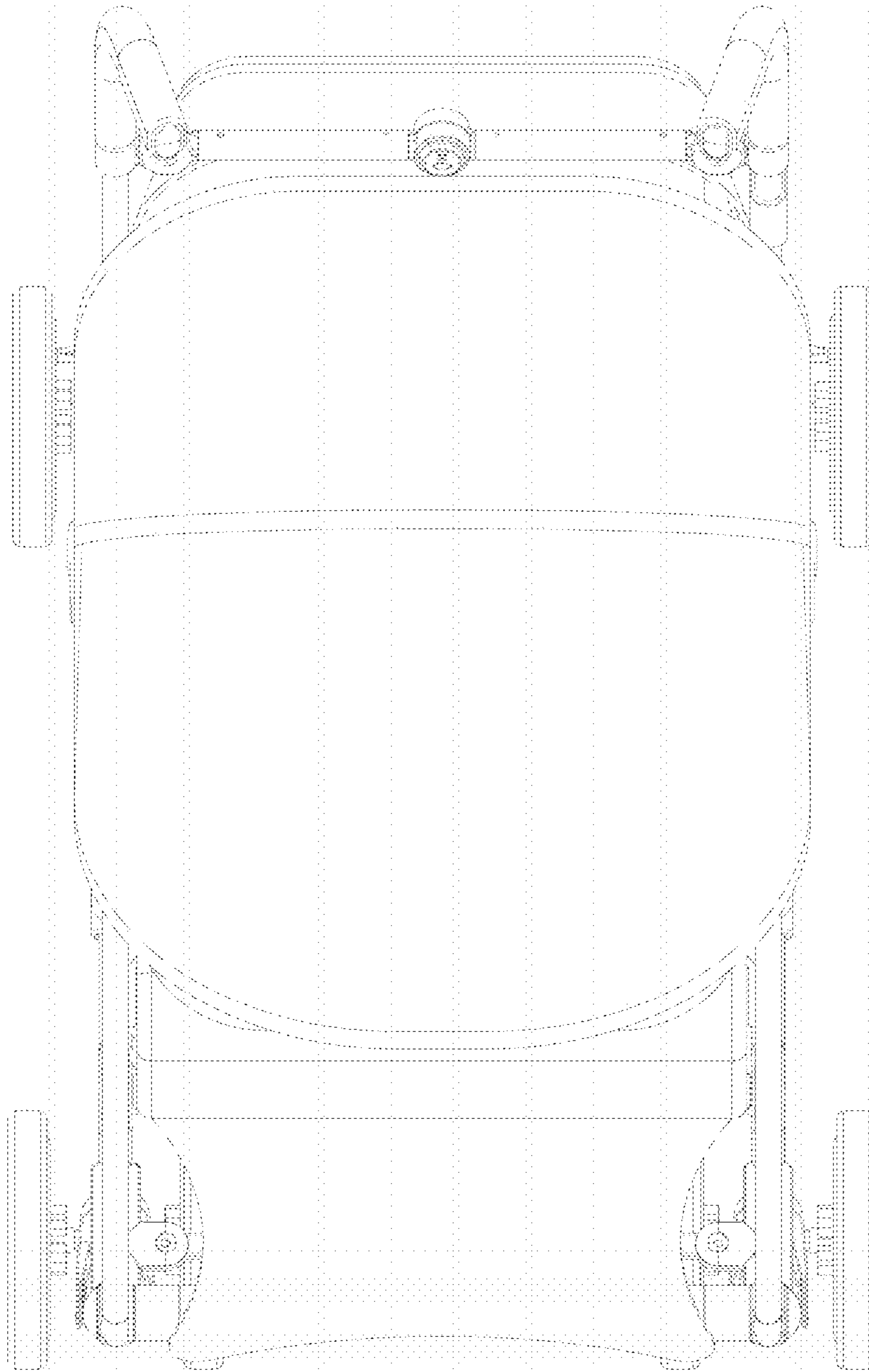


FIG. 5

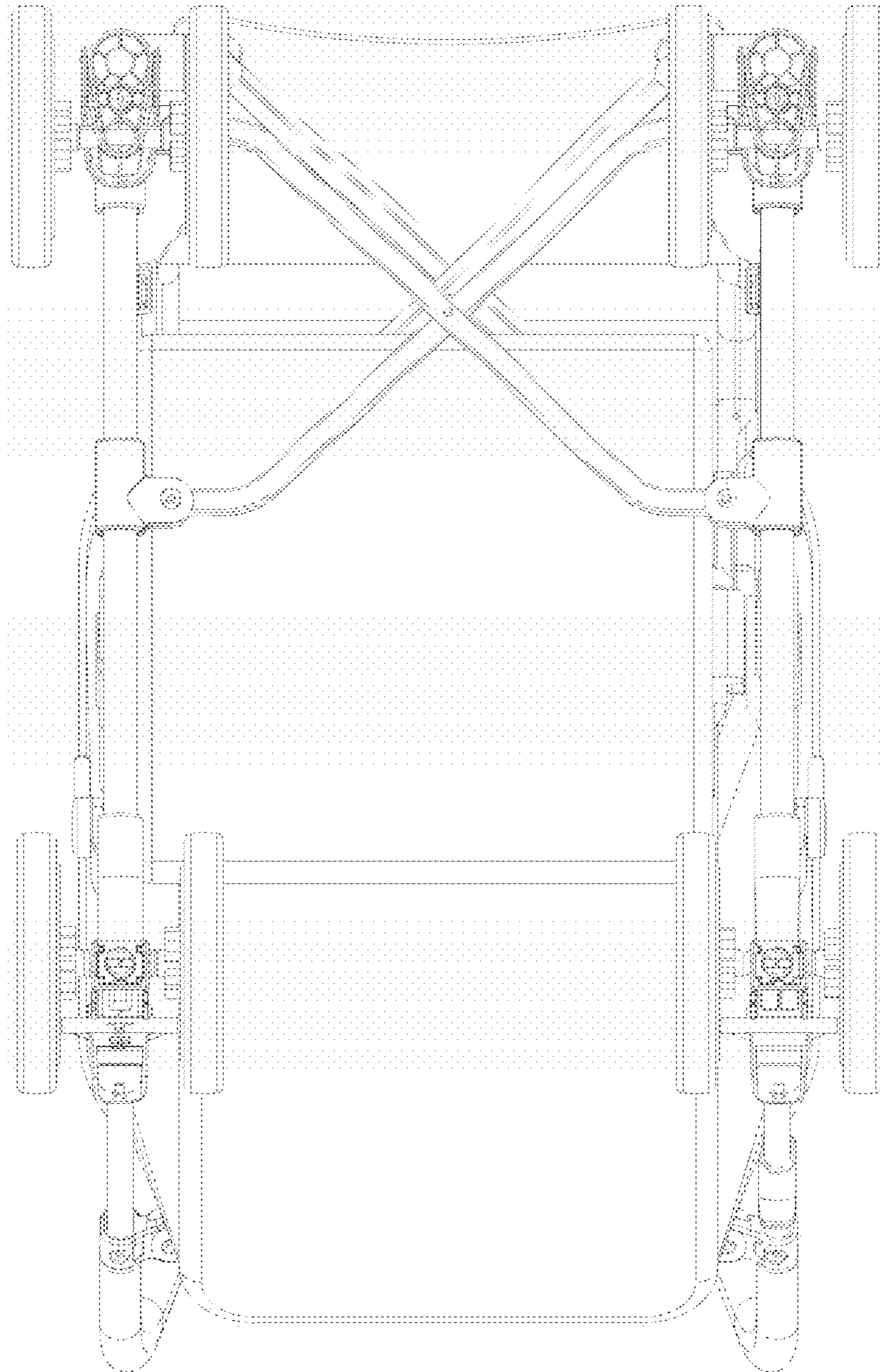


FIG. 6

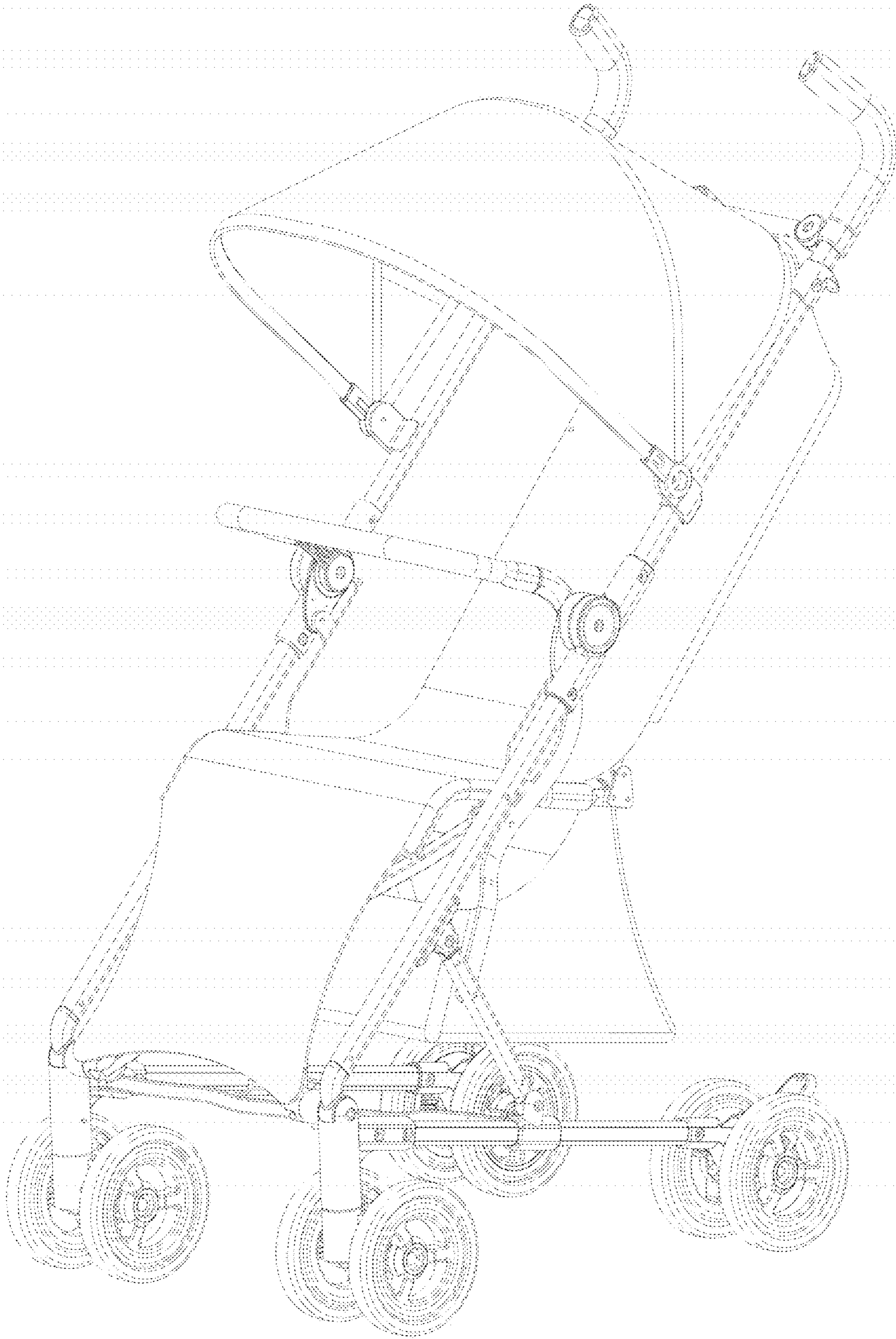


FIG. 7

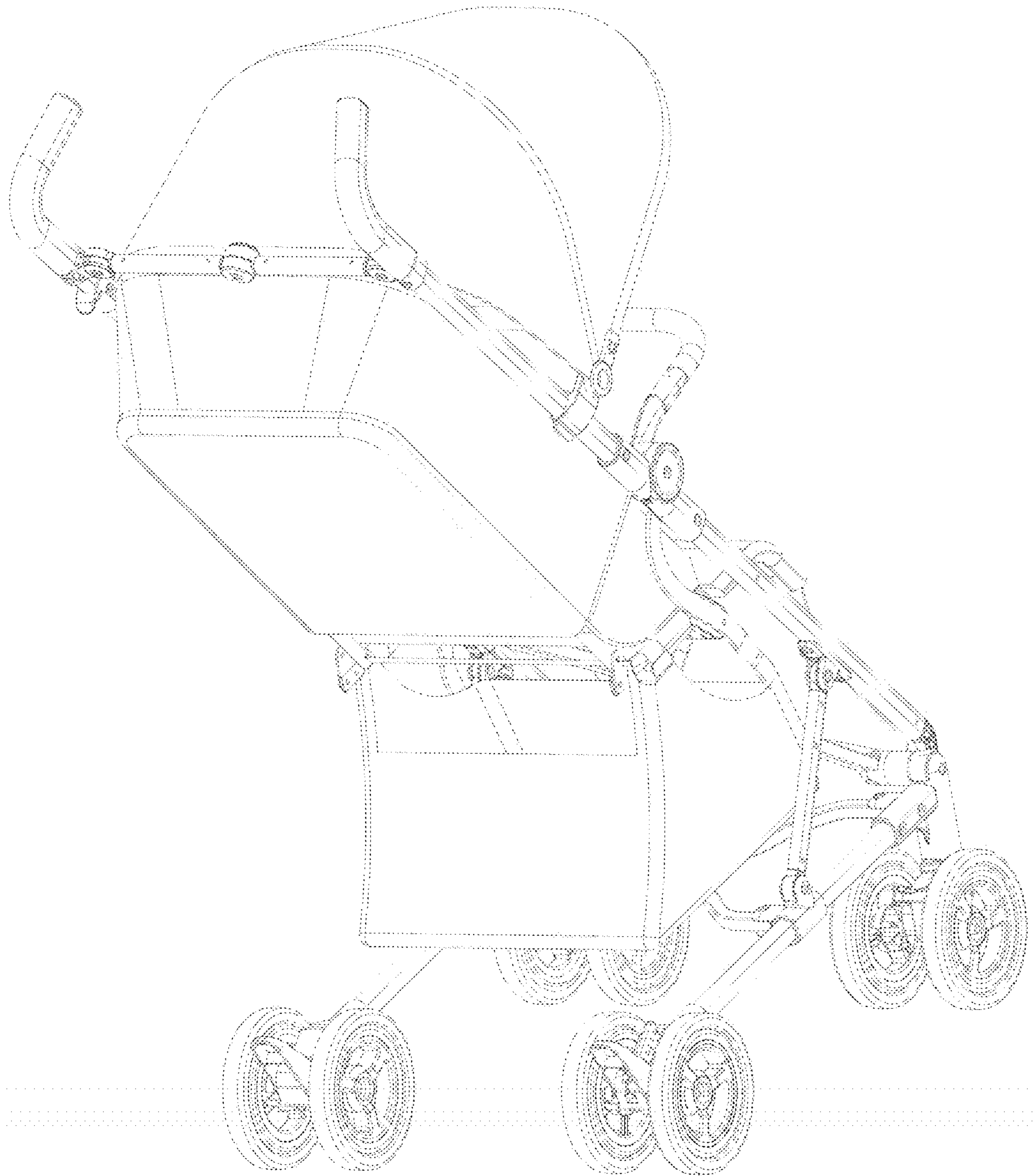


FIG. 8

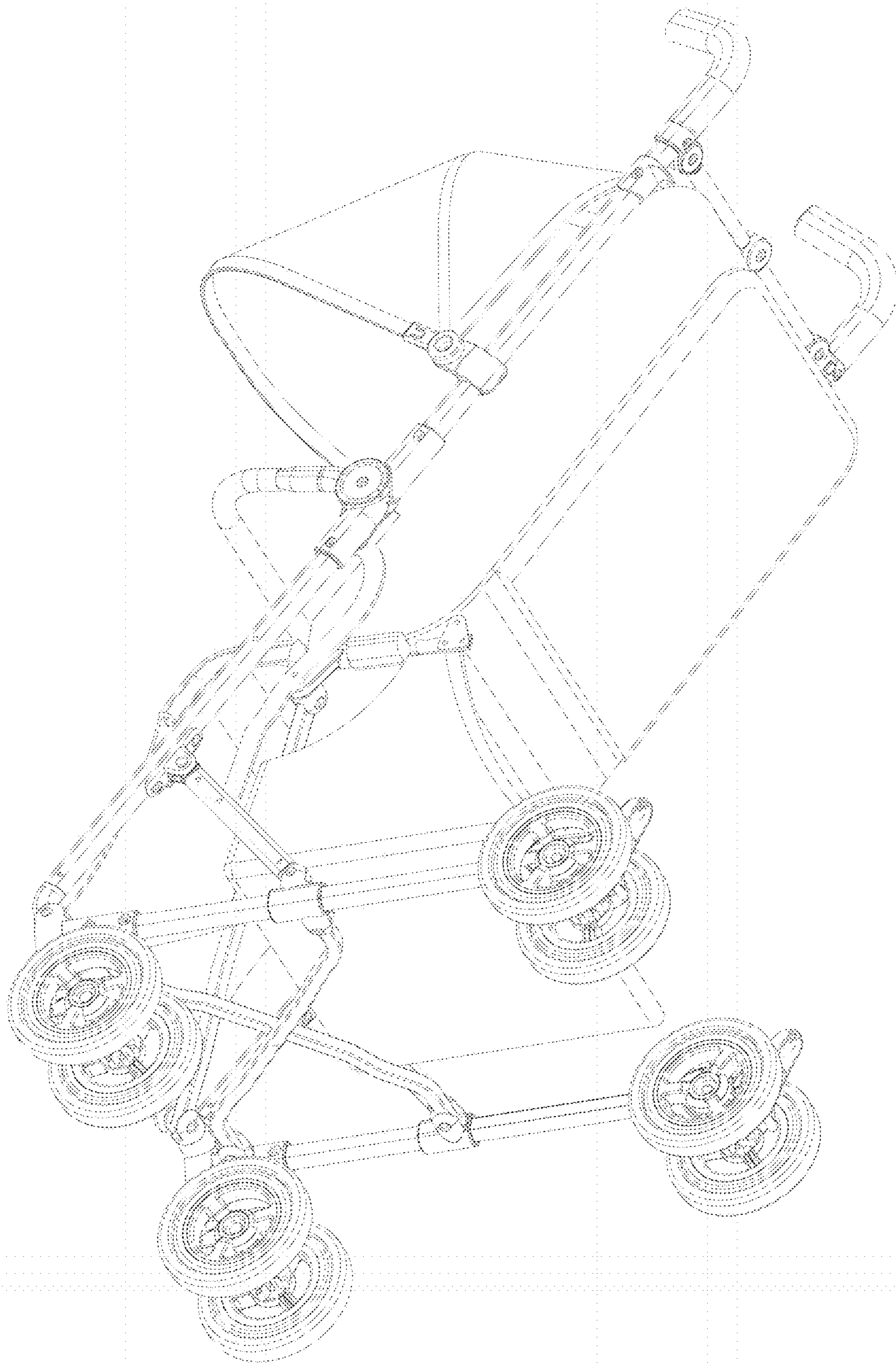


FIG. 9