



US00D789237S

(12) **United States Design Patent**
Chung

(10) **Patent No.:** **US D789,237 S**
(45) **Date of Patent:** **** Jun. 13, 2017**

(54) **PENDANT**

(71) Applicant: **Chanseol Chung**, Hollywood, FL (US)

(72) Inventor: **Chanseol Chung**, Hollywood, FL (US)

(**) Term: **14 Years**

(21) Appl. No.: **29/508,499**

(22) Filed: **Nov. 6, 2014**

(51) **LOC (10) Cl.** **11-01**

(52) **U.S. Cl.**
USPC **D11/81; D11/56**

(58) **Field of Classification Search**
USPC D11/1, 2, 7, 8, 40-43, 44, 47, 48, 56,
D11/79-86; D3/211, 215
CPC A44C 1/00; A44C 7/002; A44C 7/003;
A44C 7/004; A44C 25/00; A44C 25/001;
A44C 25/007; A44C 17/02; A44C
17/0208

See application file for complete search history.

(56) **References Cited**

U.S. PATENT DOCUMENTS

D105,901 S * 8/1937 Schwartz D11/80
D149,777 S * 5/1948 Scarborough D11/81
D286,990 S * 12/1986 Burlingham D11/1
5,319,838 A * 6/1994 Eppenauer A44C 1/00
24/13

(Continued)

OTHER PUBLICATIONS

[Online] "Shadow Heart." https://objectous.com/products/shadow-heart?utm_medium=cpc&utm_source=googlepla&variant=1023394836&gclid=CjwKEAjw34i_BRDH9fbylbDJw1g-SJAAvIFqUgCGJ4HY70MGIDInZYhayVxLVhnMTi0C4bPoNX_ynRRoCuOvw_wcB. Retrieved Sep. 21, 2016.*

Primary Examiner — Melanie Pellegrini

(74) *Attorney, Agent, or Firm* — Laurence A. Greenberg;
Werner H. Stemer; Ralph E. Locher

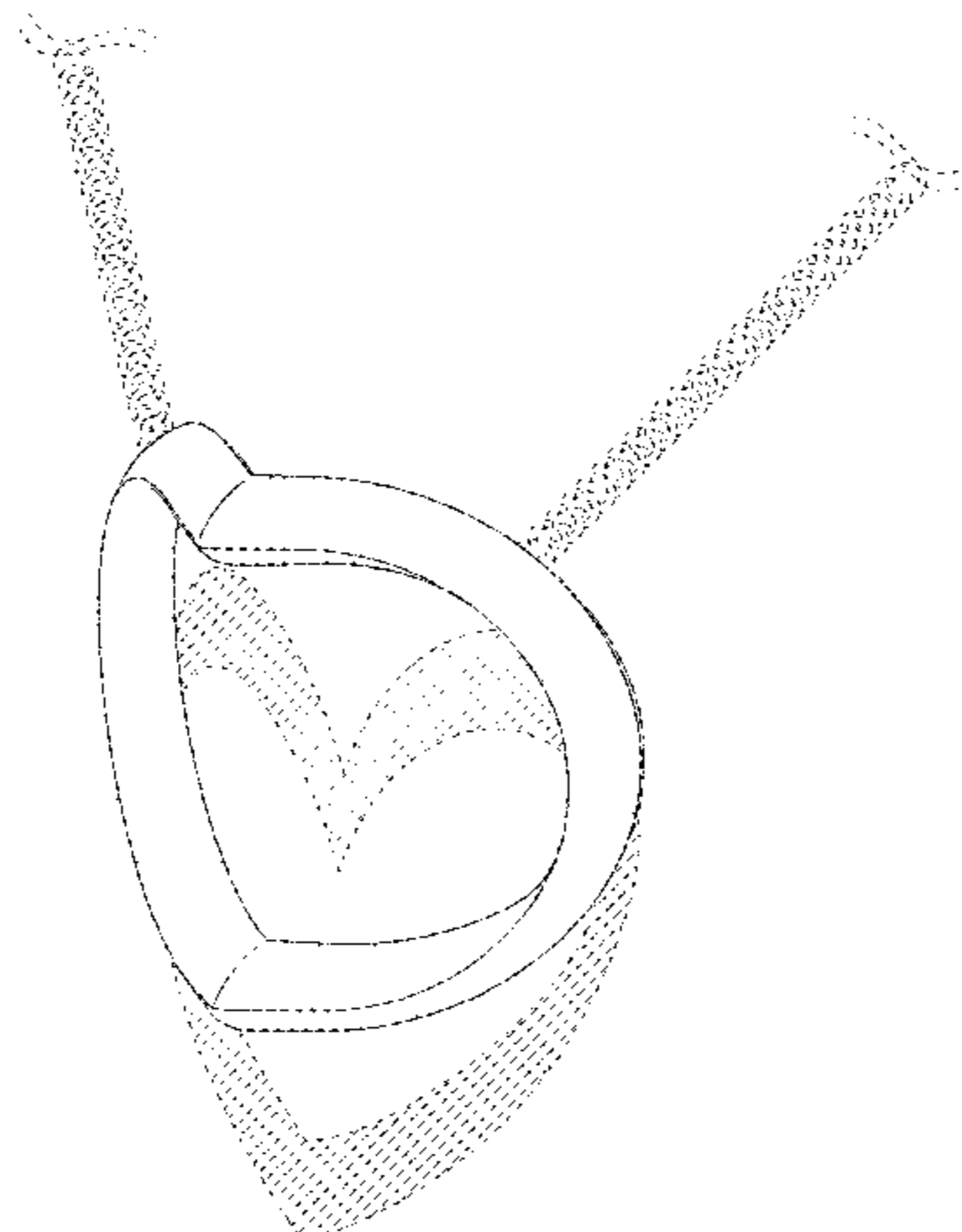
(57) **CLAIM**

The ornamental design for a pendant, as shown and described.

DESCRIPTION

FIG. 1 is a left side elevation view of the pendant, showing my new design;
FIG. 2 is a front elevation view thereof;
FIG. 3 is a bottom plan view thereof;
FIG. 4 is a top plan view thereof;
FIG. 5 is a rear elevation view thereof;
FIG. 6 is a right side elevation view thereof;
FIG. 7 is a front perspective view thereof attached to a necklace;
FIG. 8 is a front elevation view thereof attached to a necklace;
FIG. 9 is a rear elevation view thereof attached to a necklace;
FIG. 10 is a left side elevation view thereof attached to a necklace;
FIG. 11 is a front elevation view thereof attached to a necklace;
FIG. 12 is a front perspective view thereof attached to a necklace;
FIG. 13 is a right side elevation view of a second embodiment of the pendant, showing my new design;
FIG. 14 is a front elevation view thereof;
FIG. 15 is a bottom plan view thereof;
FIG. 16 is a top plan view thereof;
FIG. 17 is a rear elevation view thereof;
FIG. 18 is a left side elevation view thereof;
FIG. 19 is a front elevation view thereof attached to a necklace;
FIG. 20 is a rear elevation view thereof attached to a necklace; and,
FIG. 21 is a right side elevation view thereof attached to a necklace.
The broken lines shown in the drawings showing a chain, cord, heart shaped shadowing, and pendant hanging loops represents environment and forms no part of the claimed design.

1 Claim, 11 Drawing Sheets



(56)

References Cited

U.S. PATENT DOCUMENTS

D465,146 S * 11/2002 Kopplin D8/356
D478,836 S * 8/2003 McCormack D11/103
D518,751 S * 4/2006 Zoullas D11/86
D599,244 S * 9/2009 Momjian D11/81
D643,324 S * 8/2011 Kim D11/1
D666,770 S * 9/2012 Hsu D28/41
D710,239 S * 8/2014 Rice D11/56
2007/0107226 A1* 5/2007 Araujo A44C 25/001
29/896.4

* cited by examiner

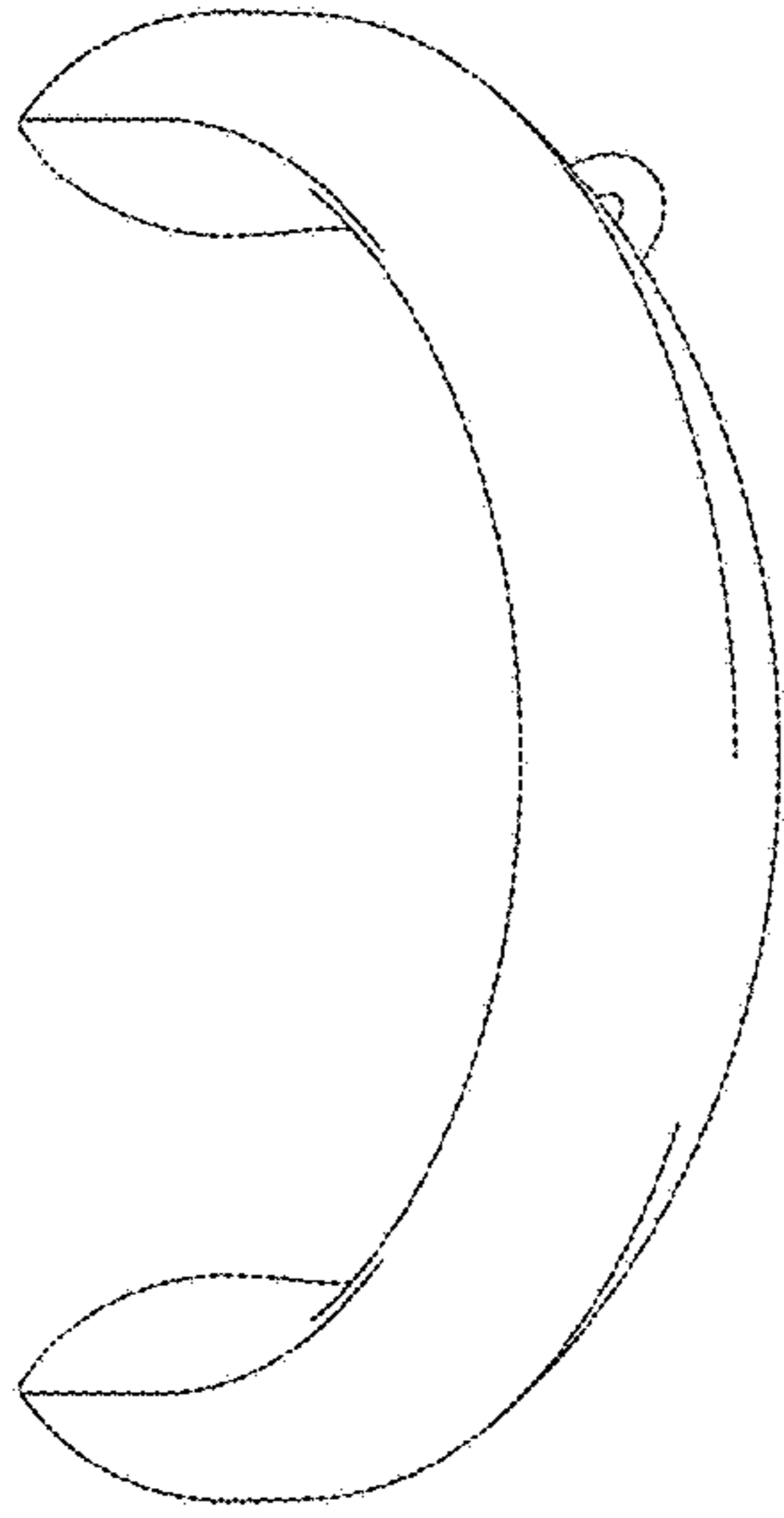


Fig. 1

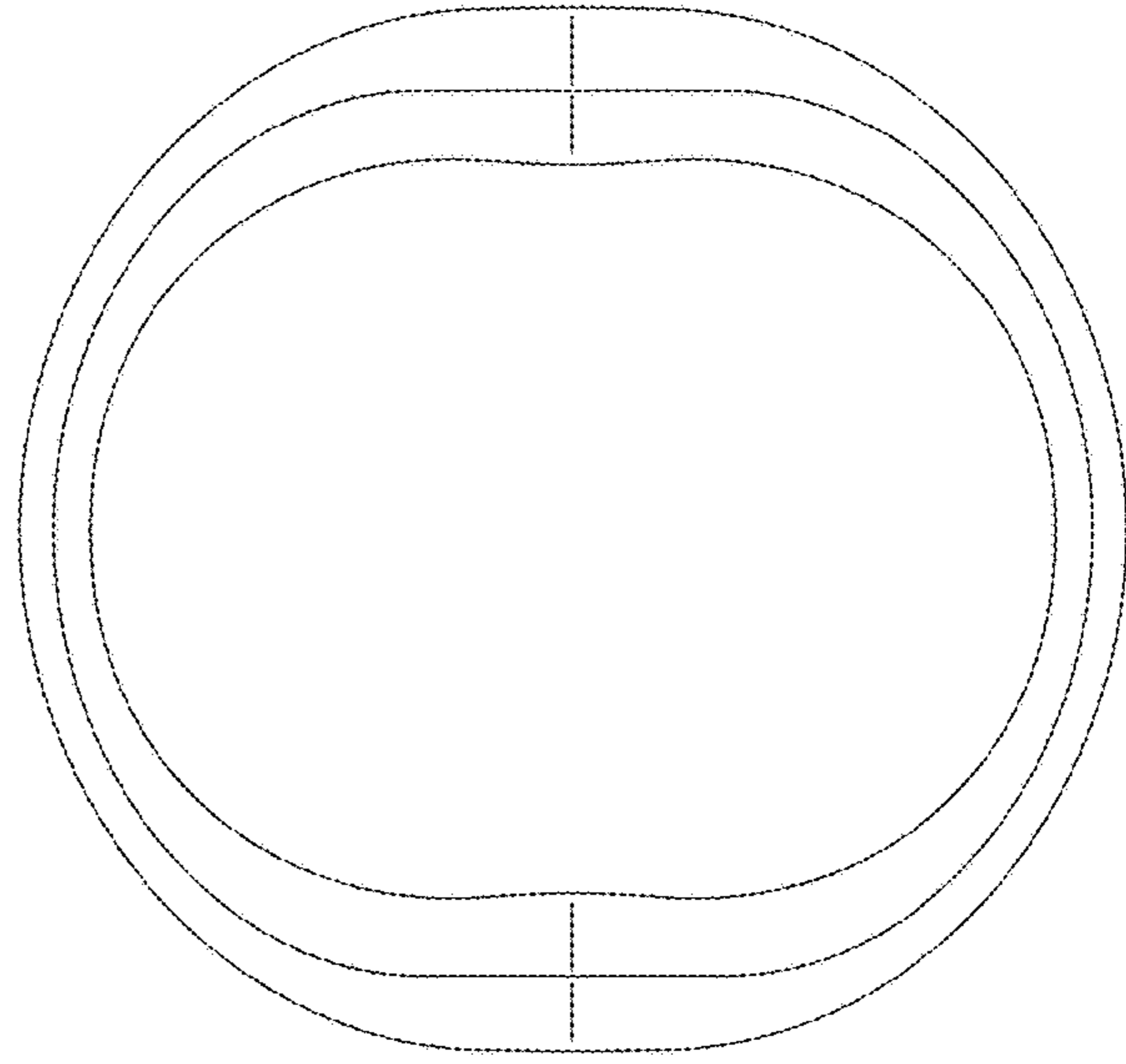


Fig. 2

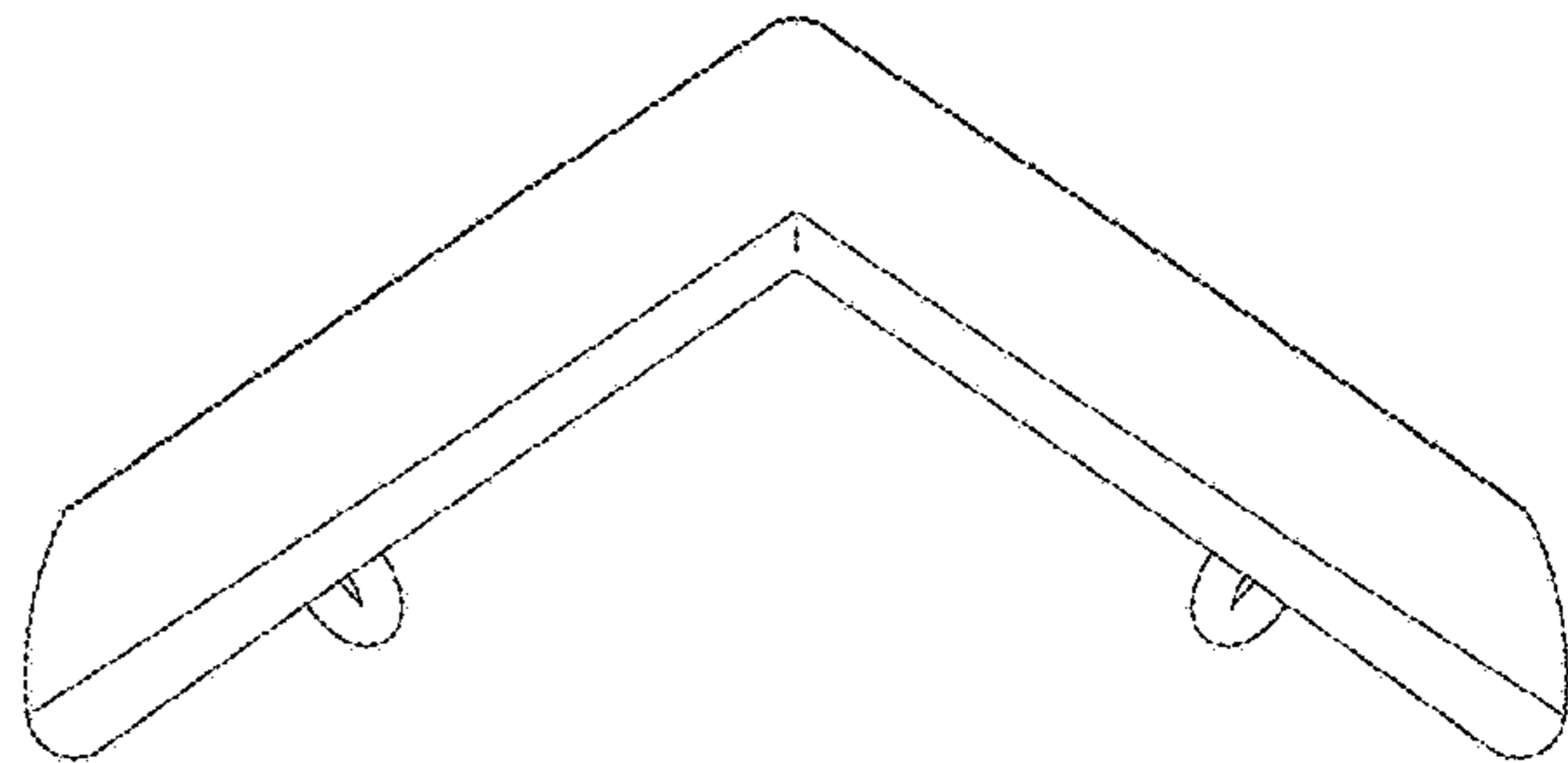


Fig. 3

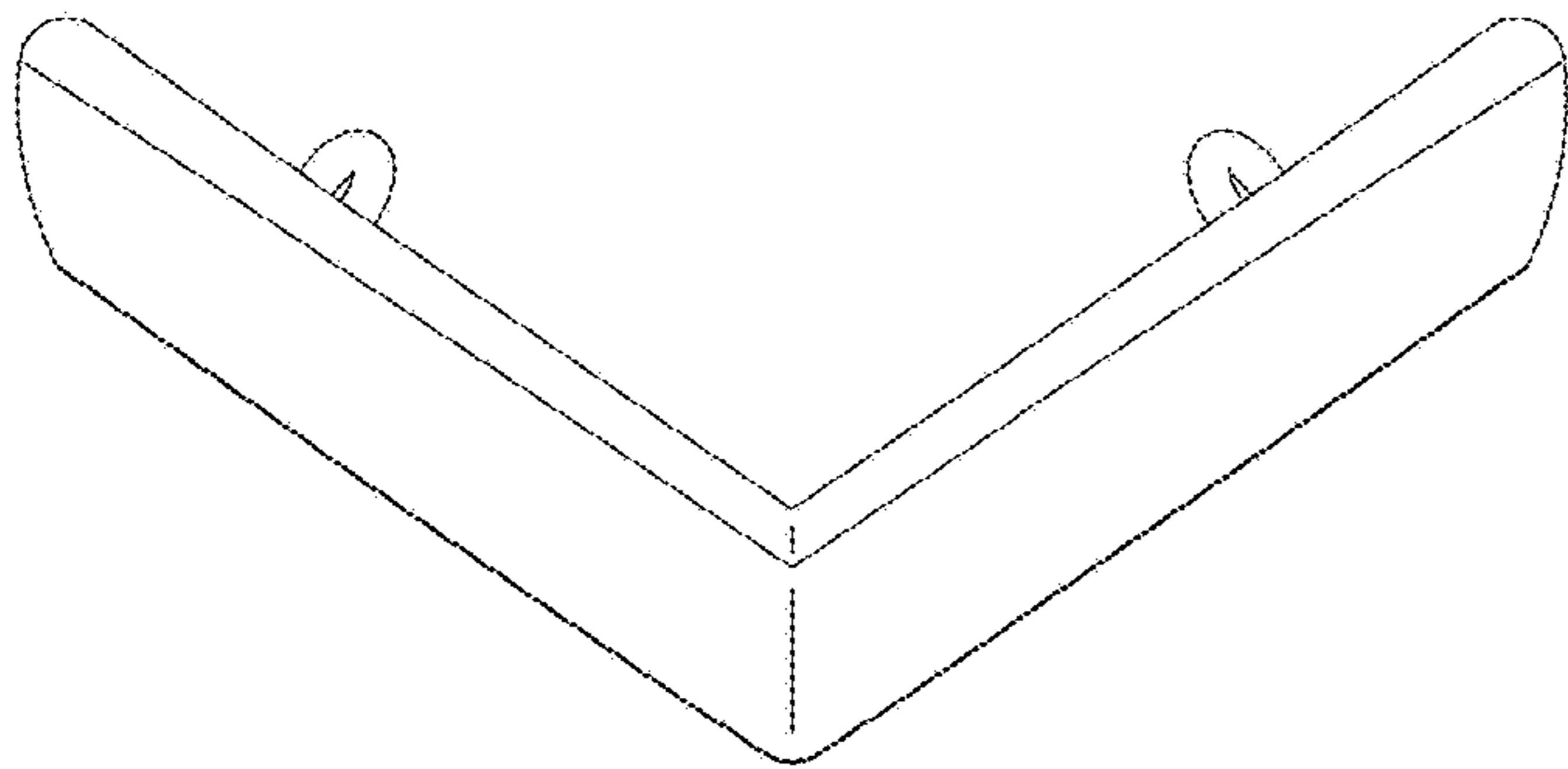


Fig. 4

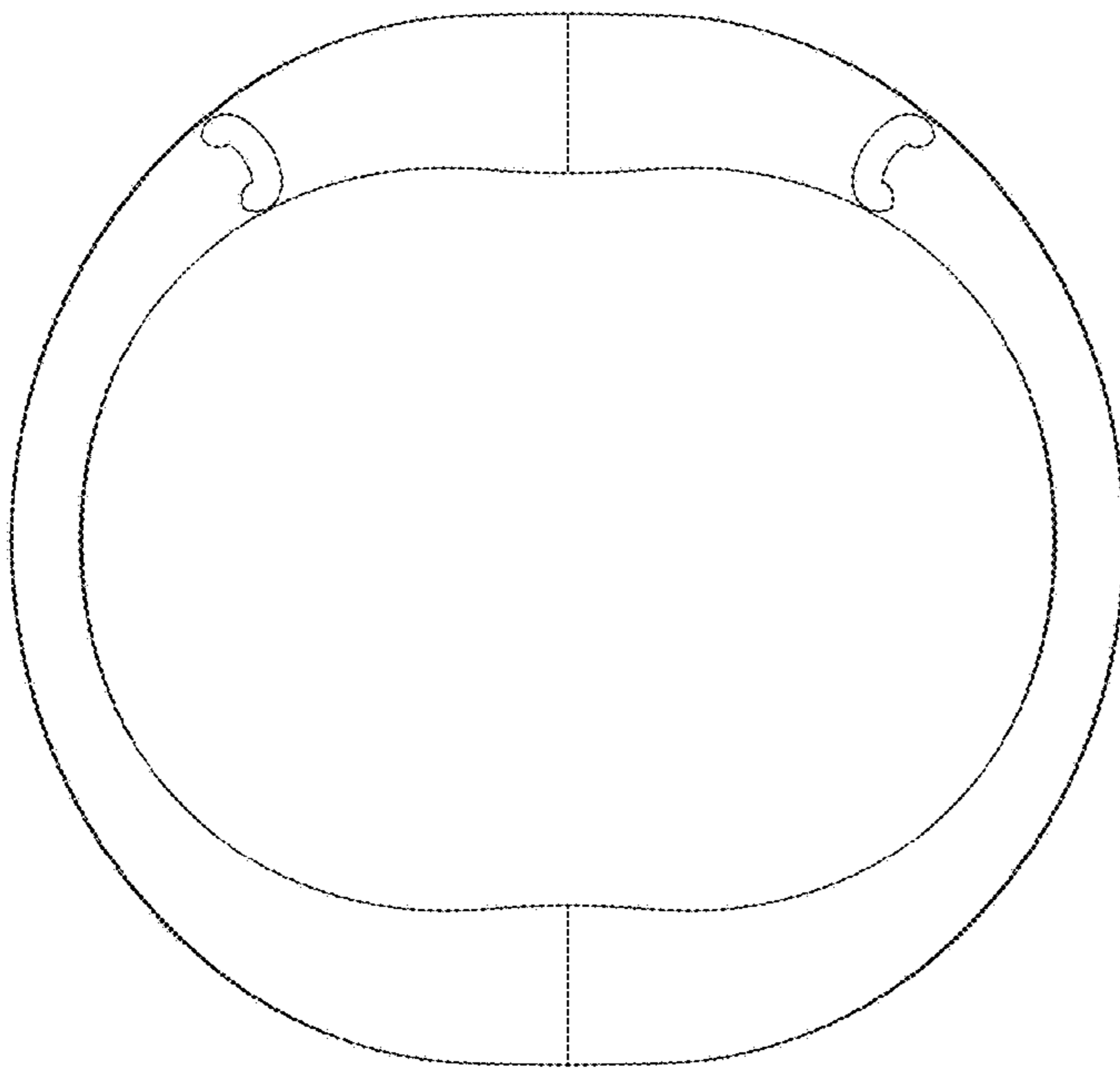


Fig. 5

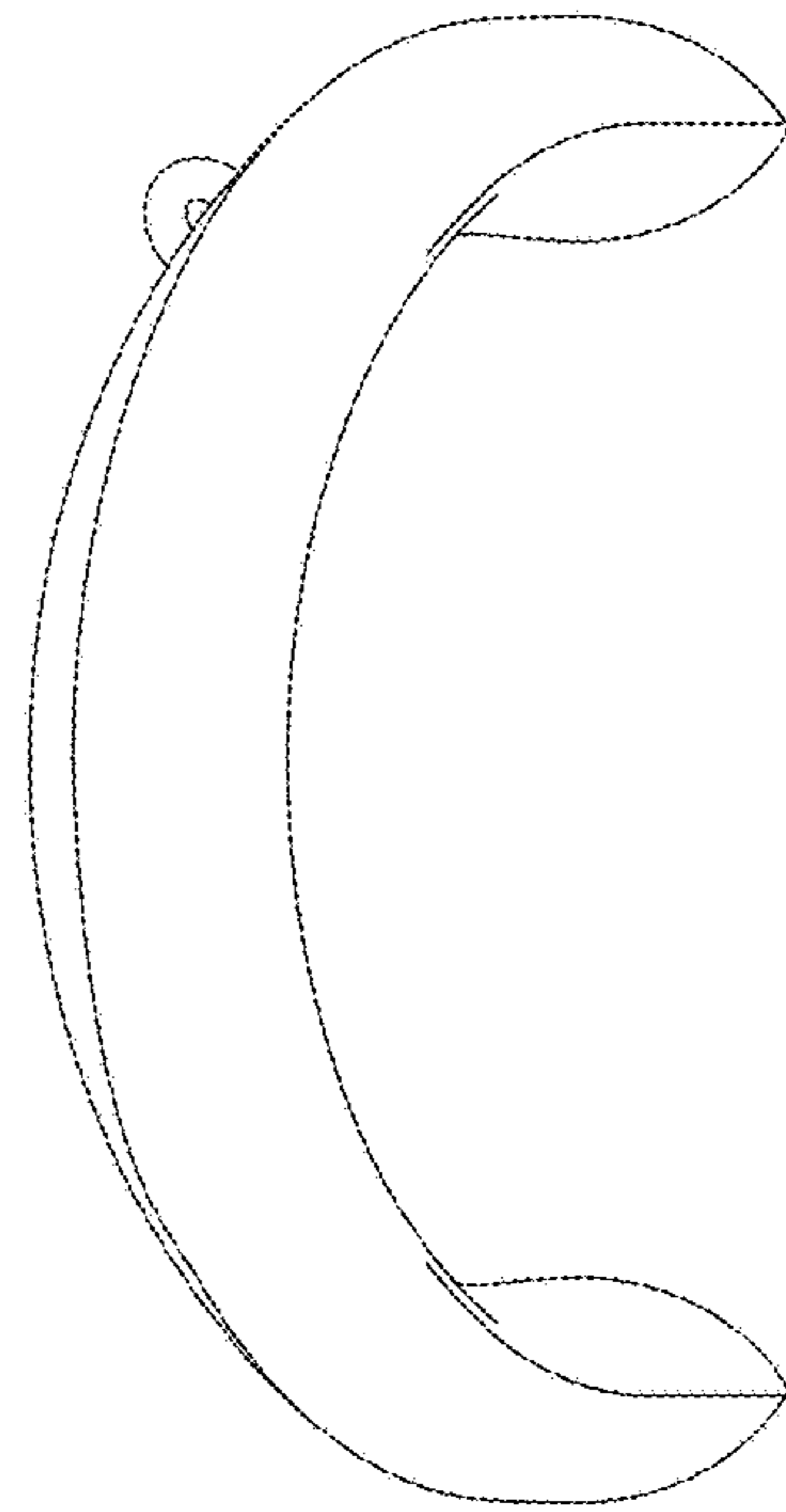


Fig. 6

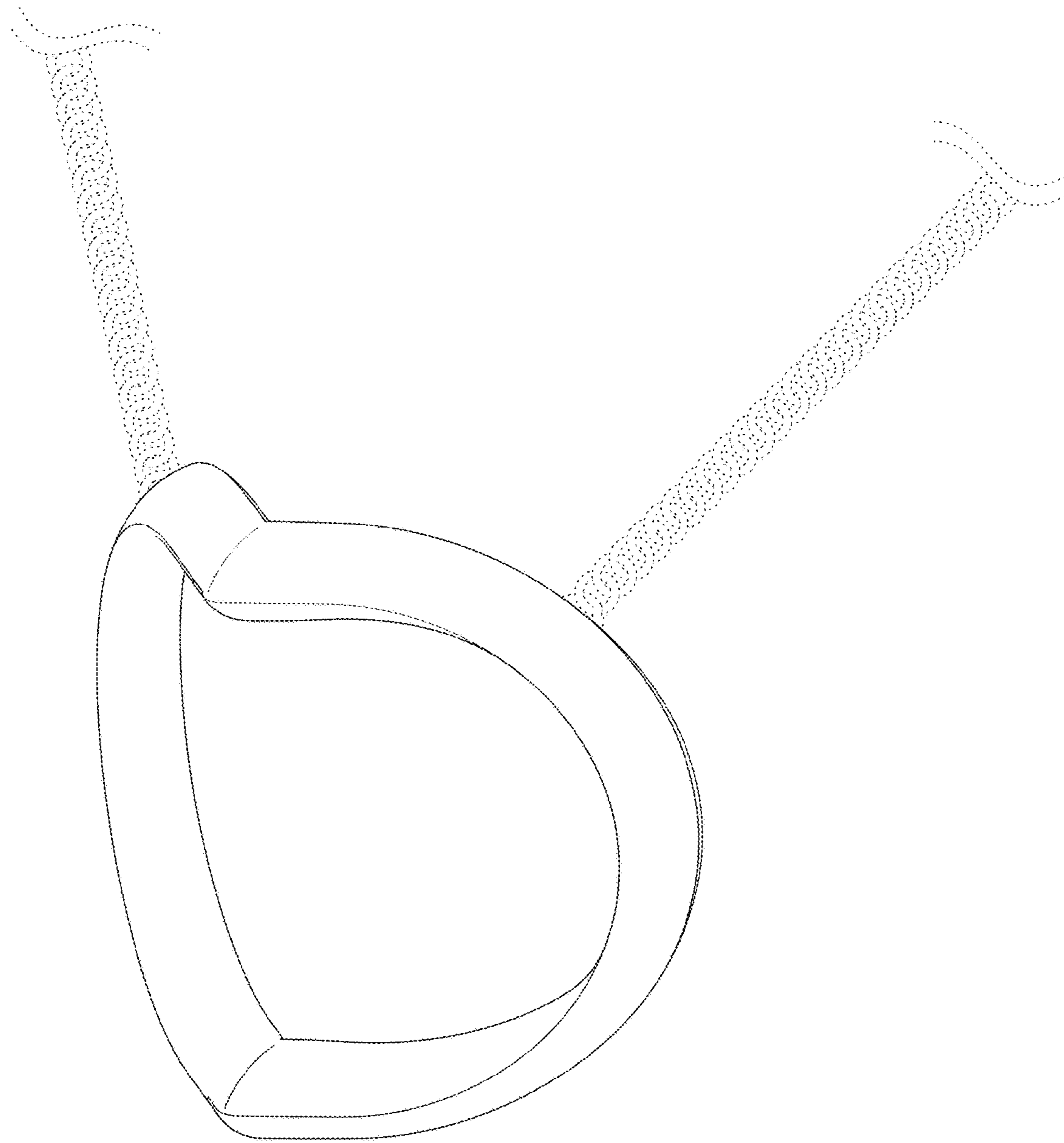


Fig. 7

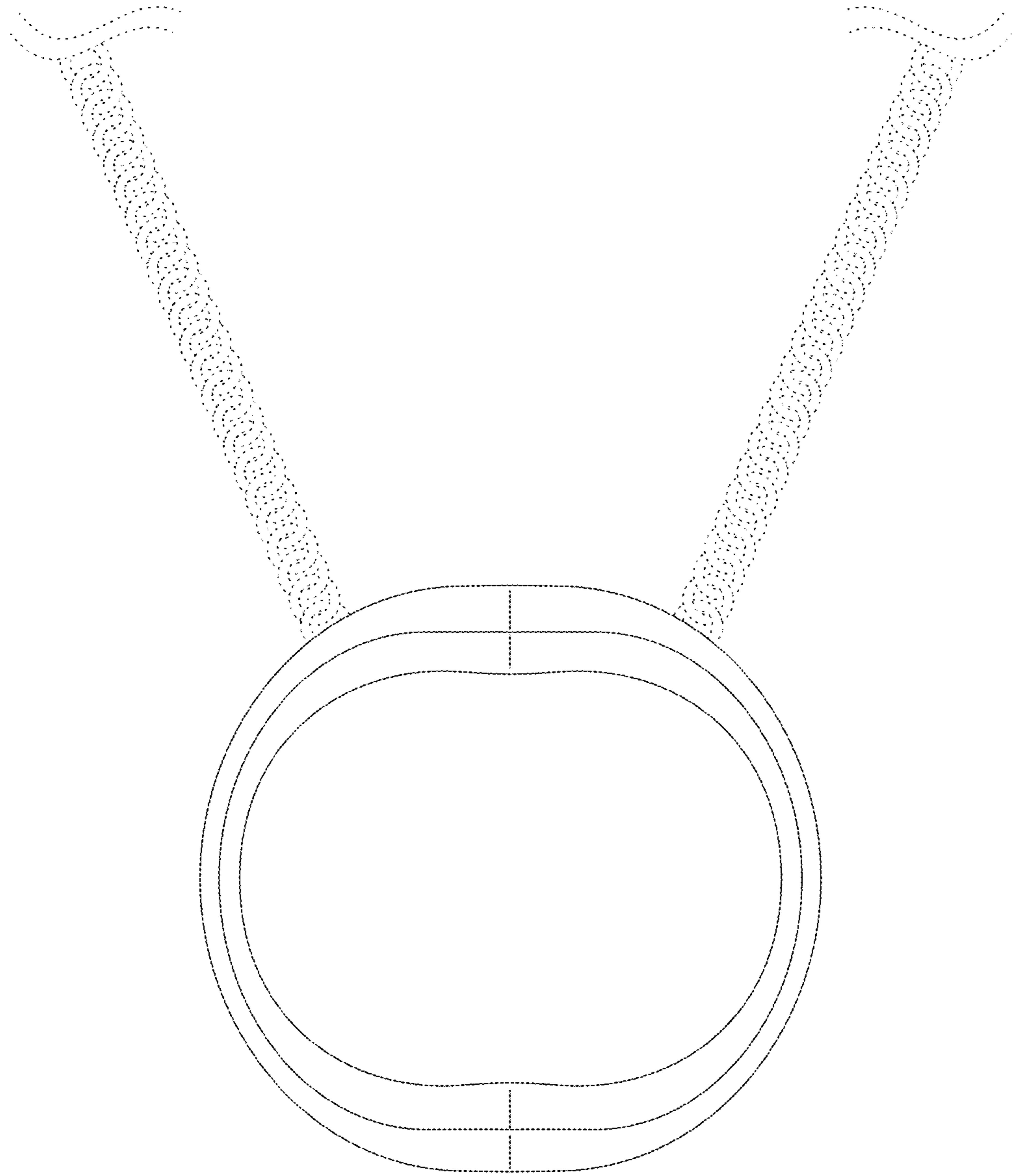


Fig. 8

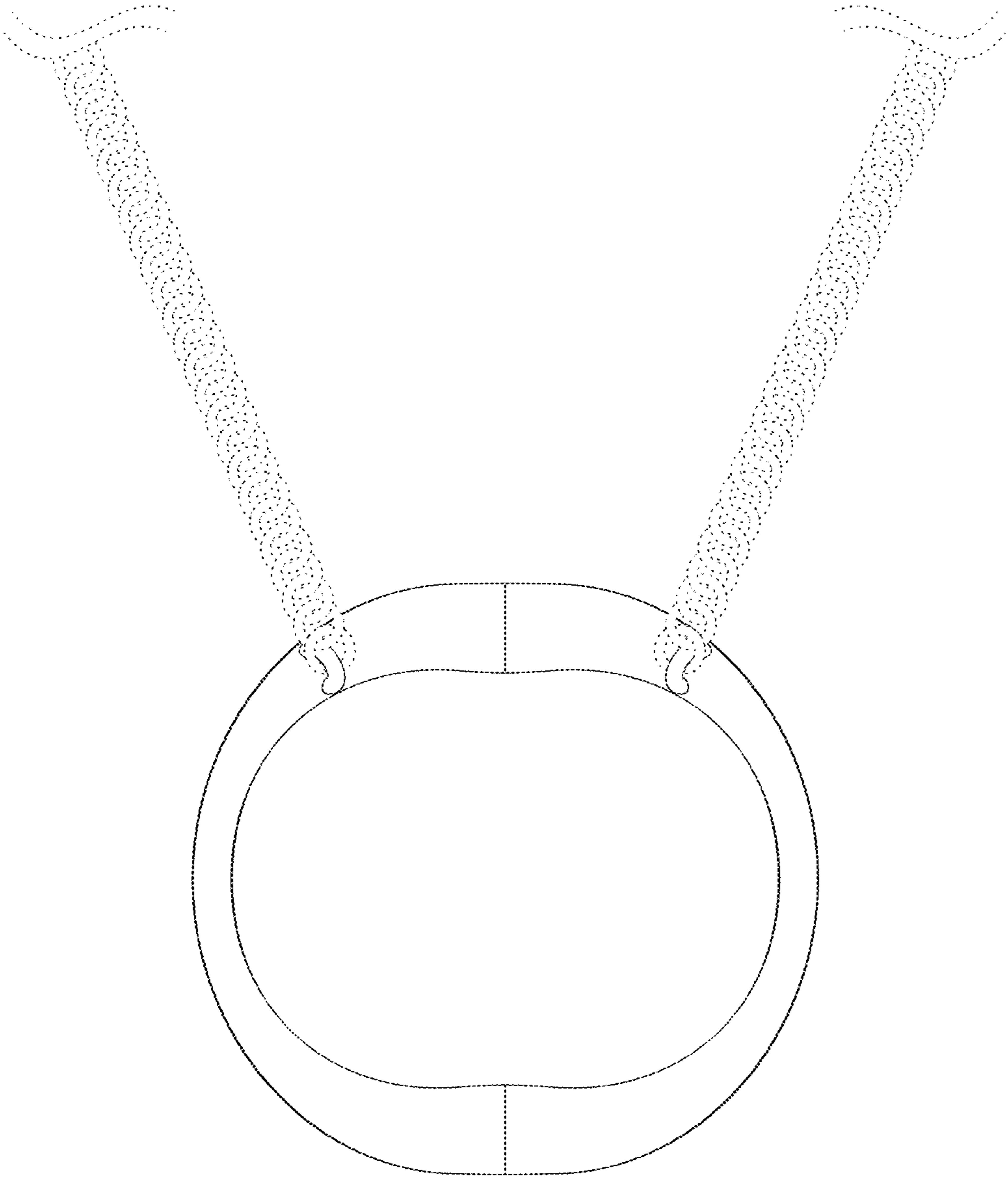


Fig. 9

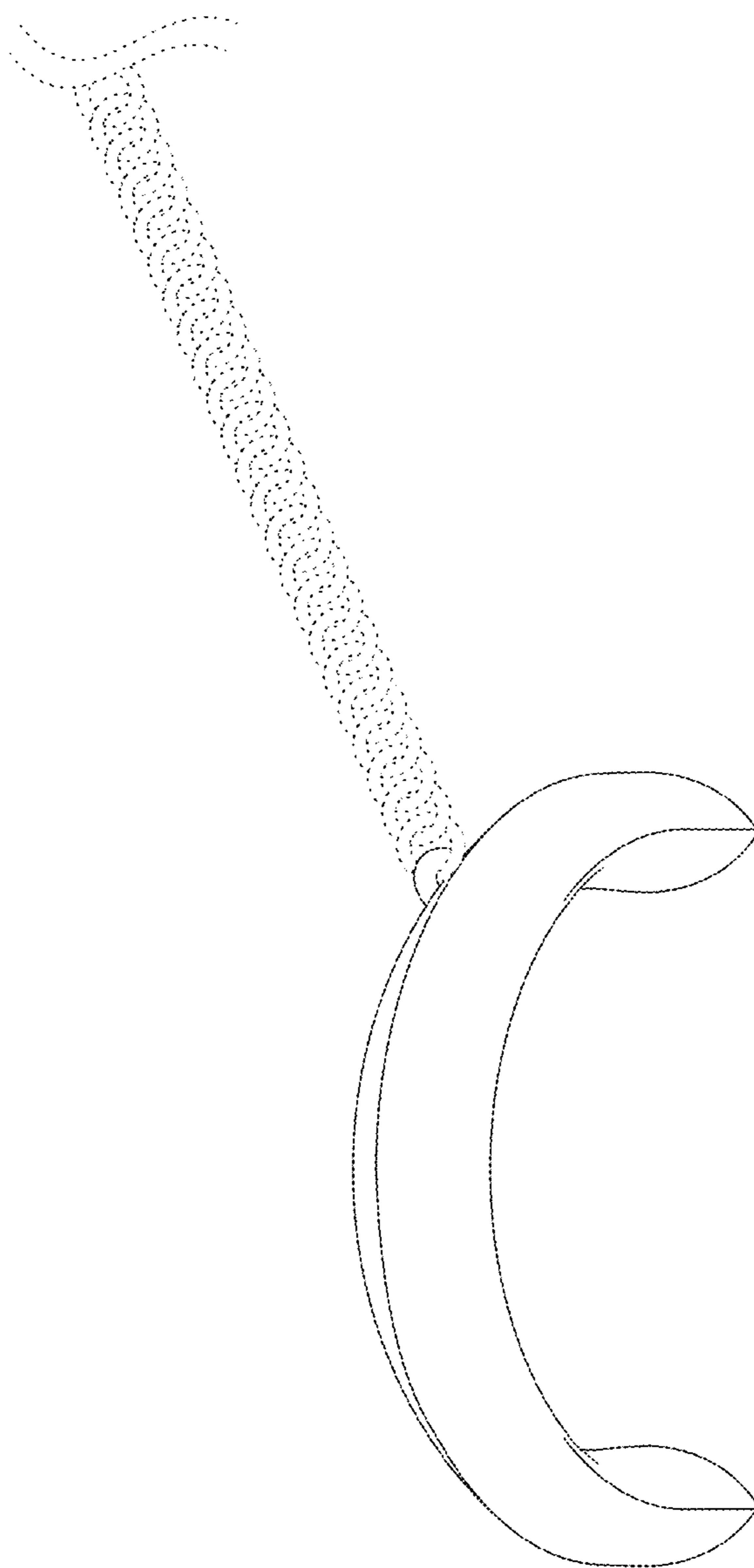


Fig. 10

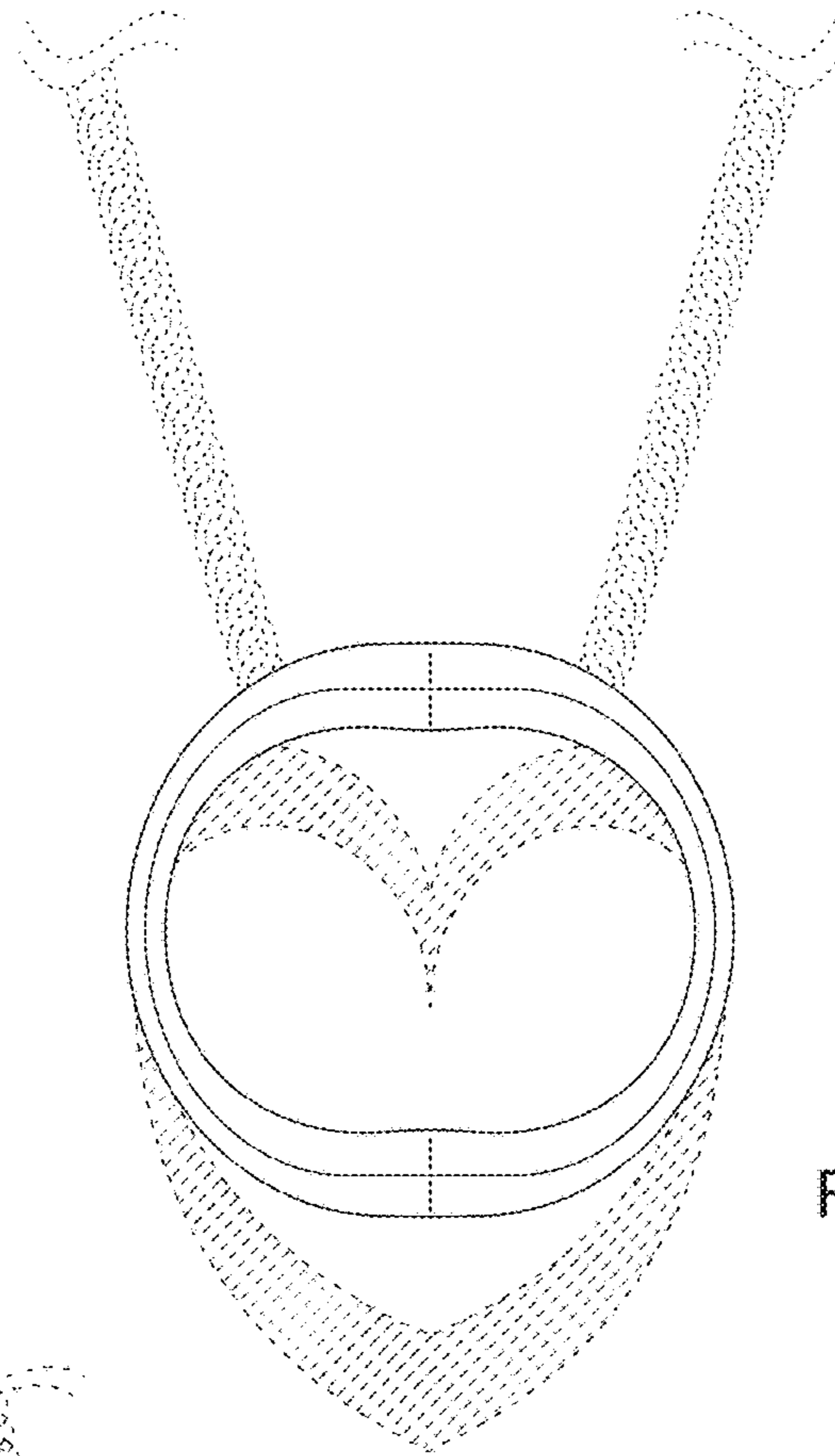


Fig. 11

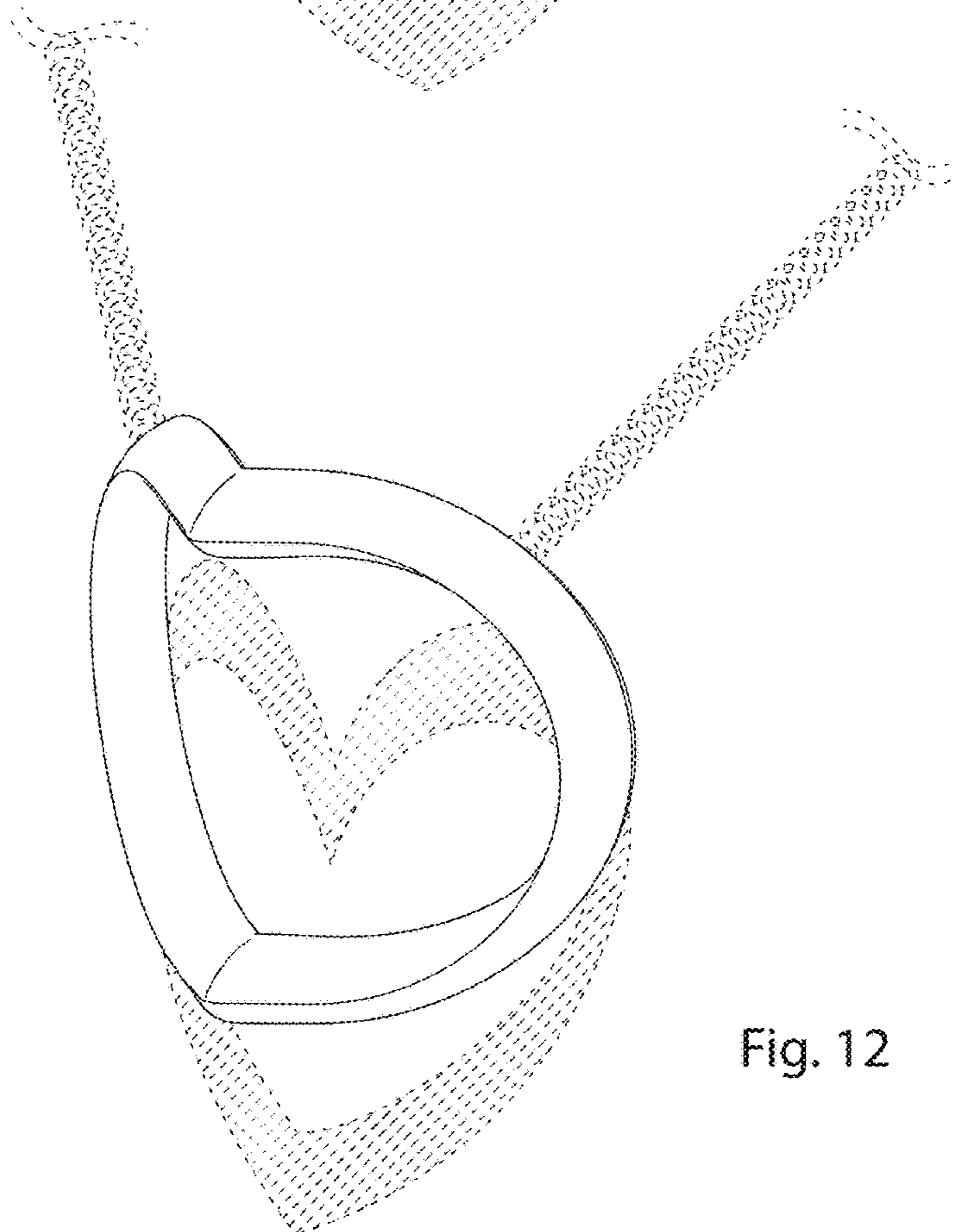


Fig. 12

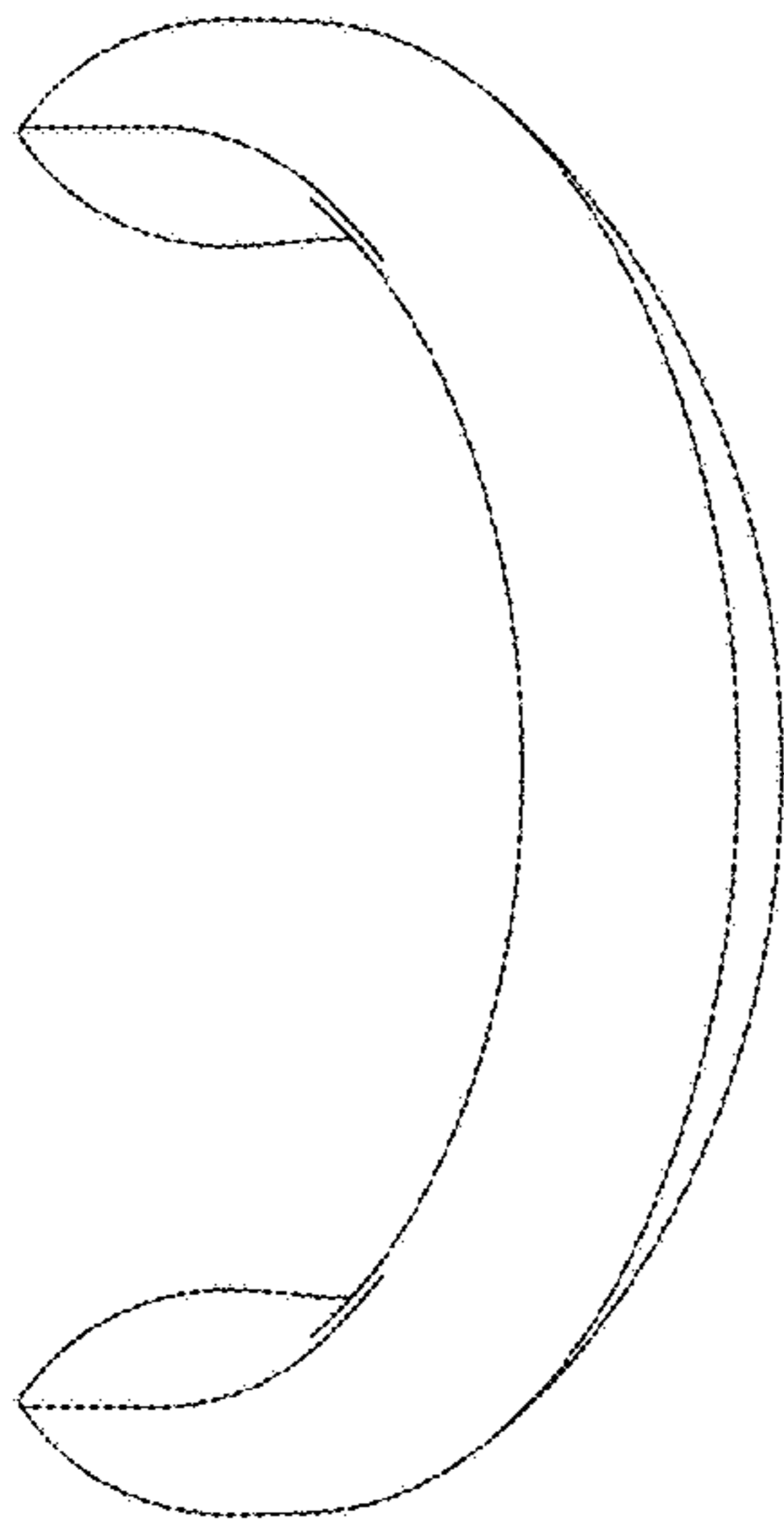


Fig. 13

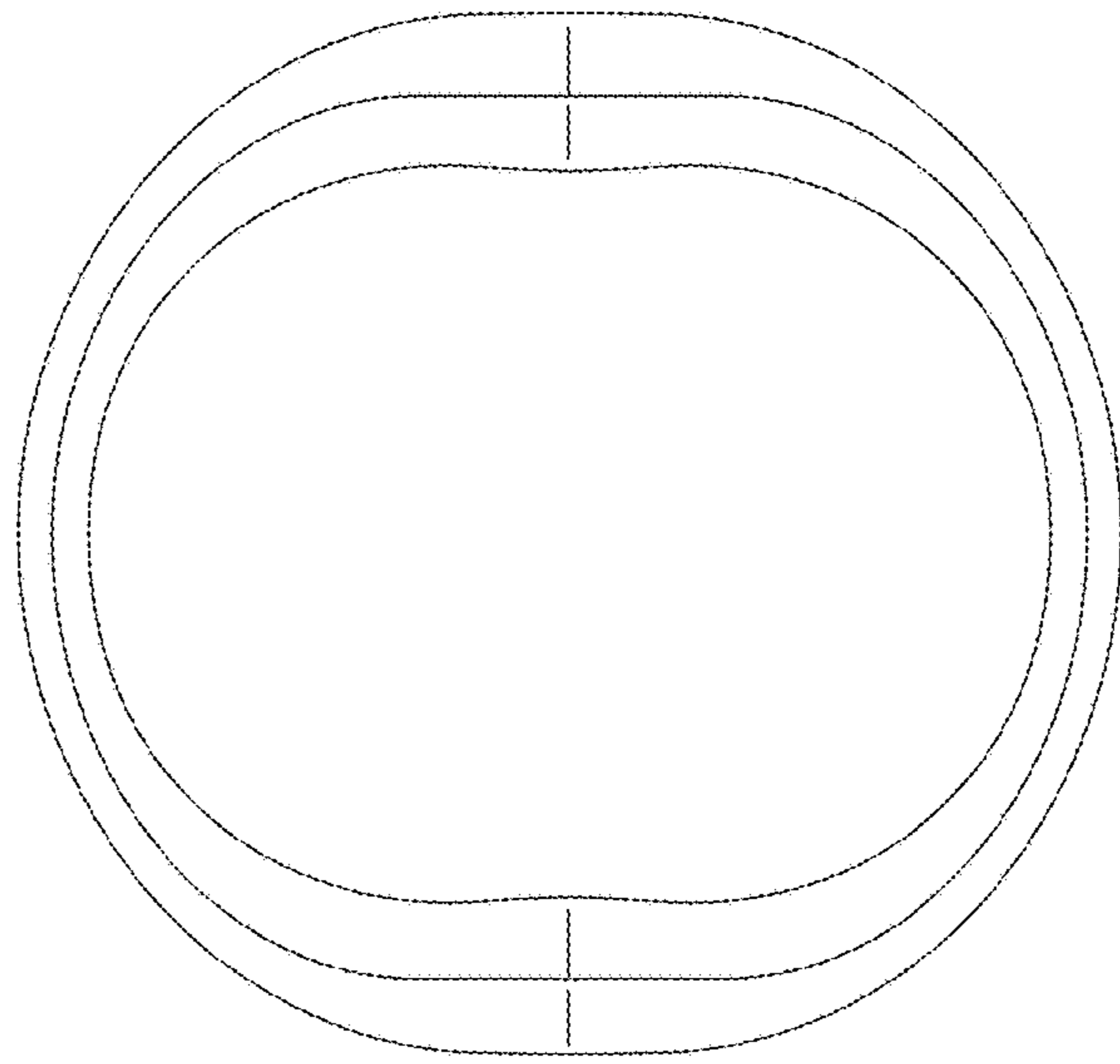


Fig. 14

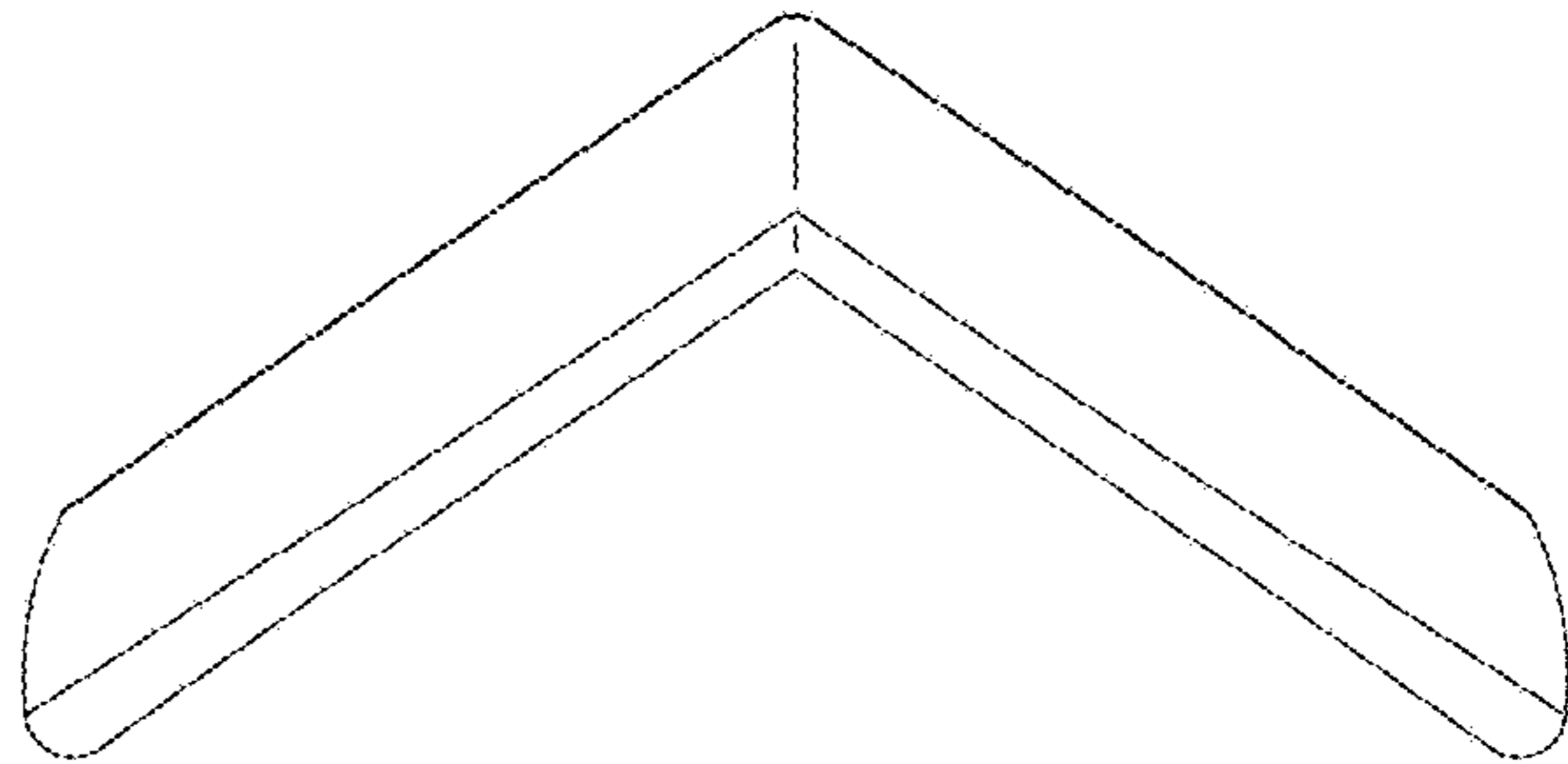


Fig. 15

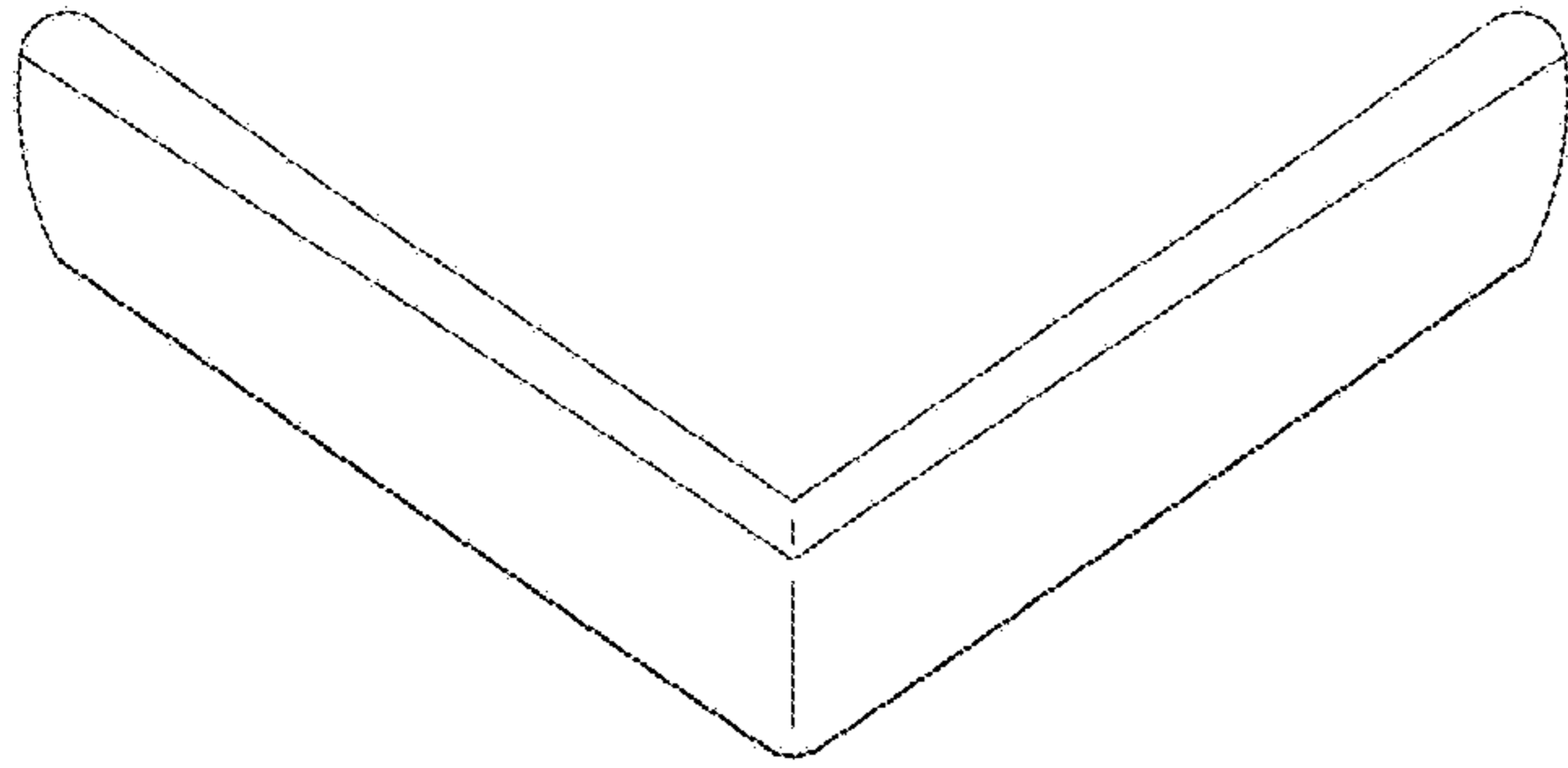


Fig. 16

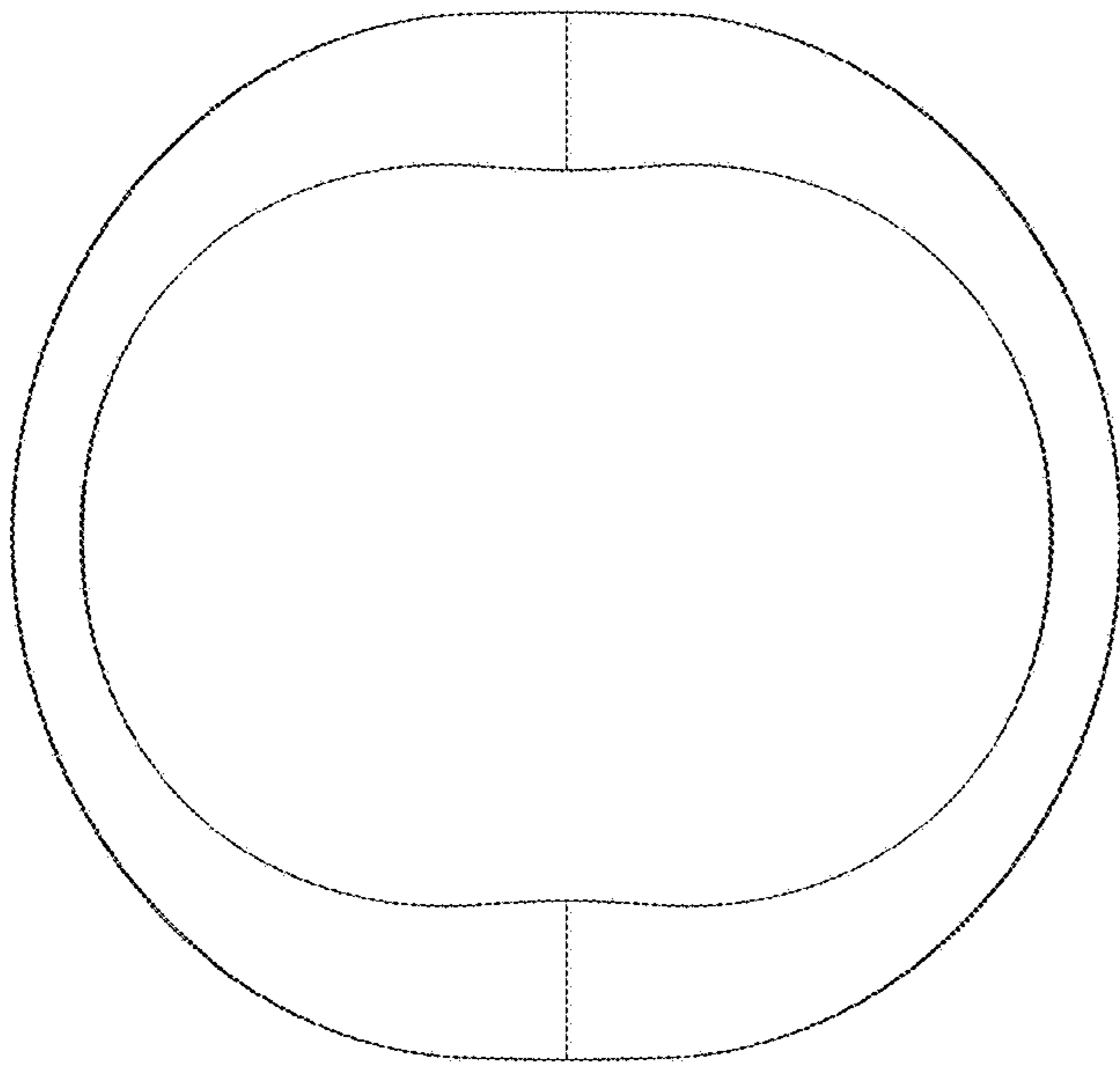


Fig. 17

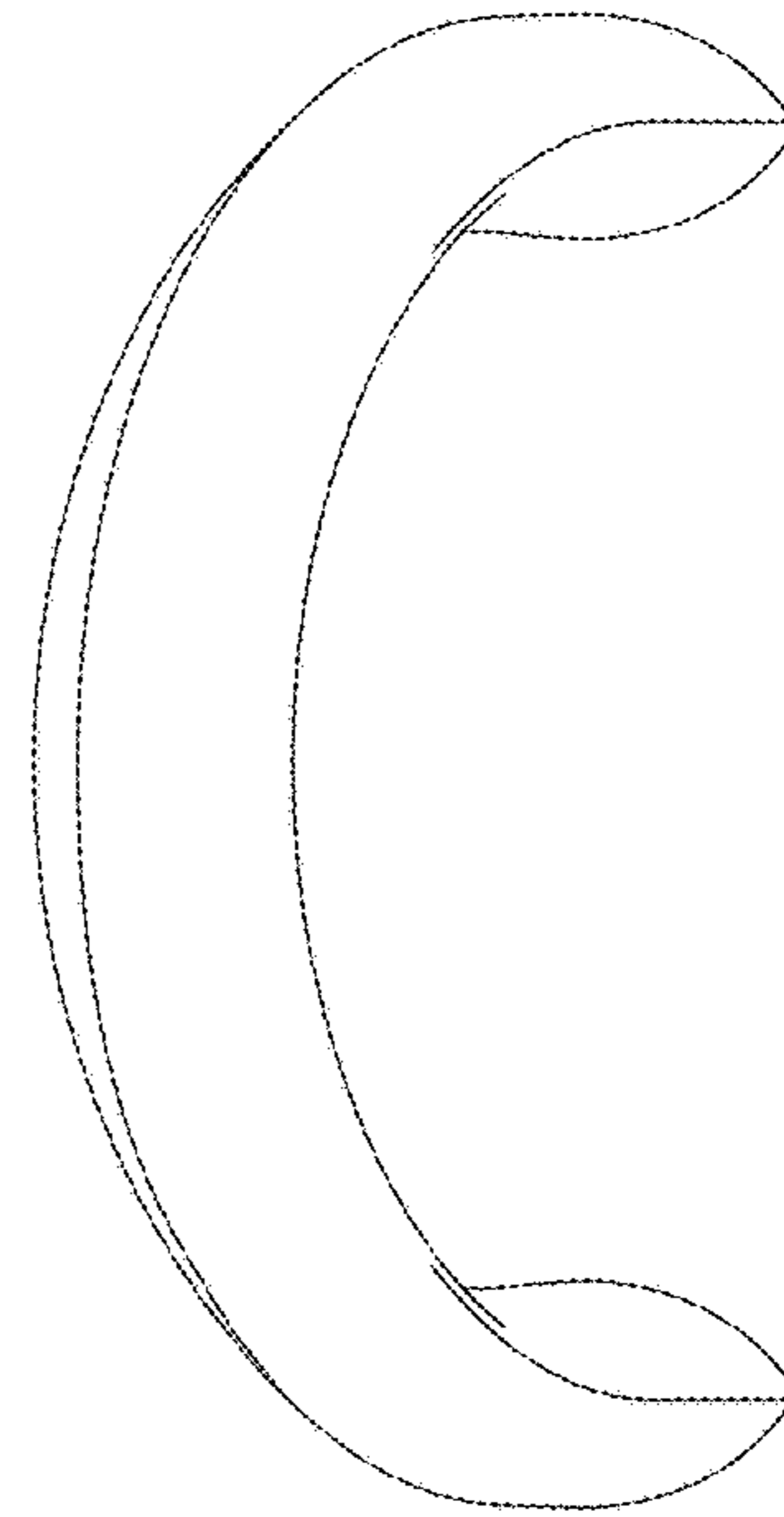


Fig. 18

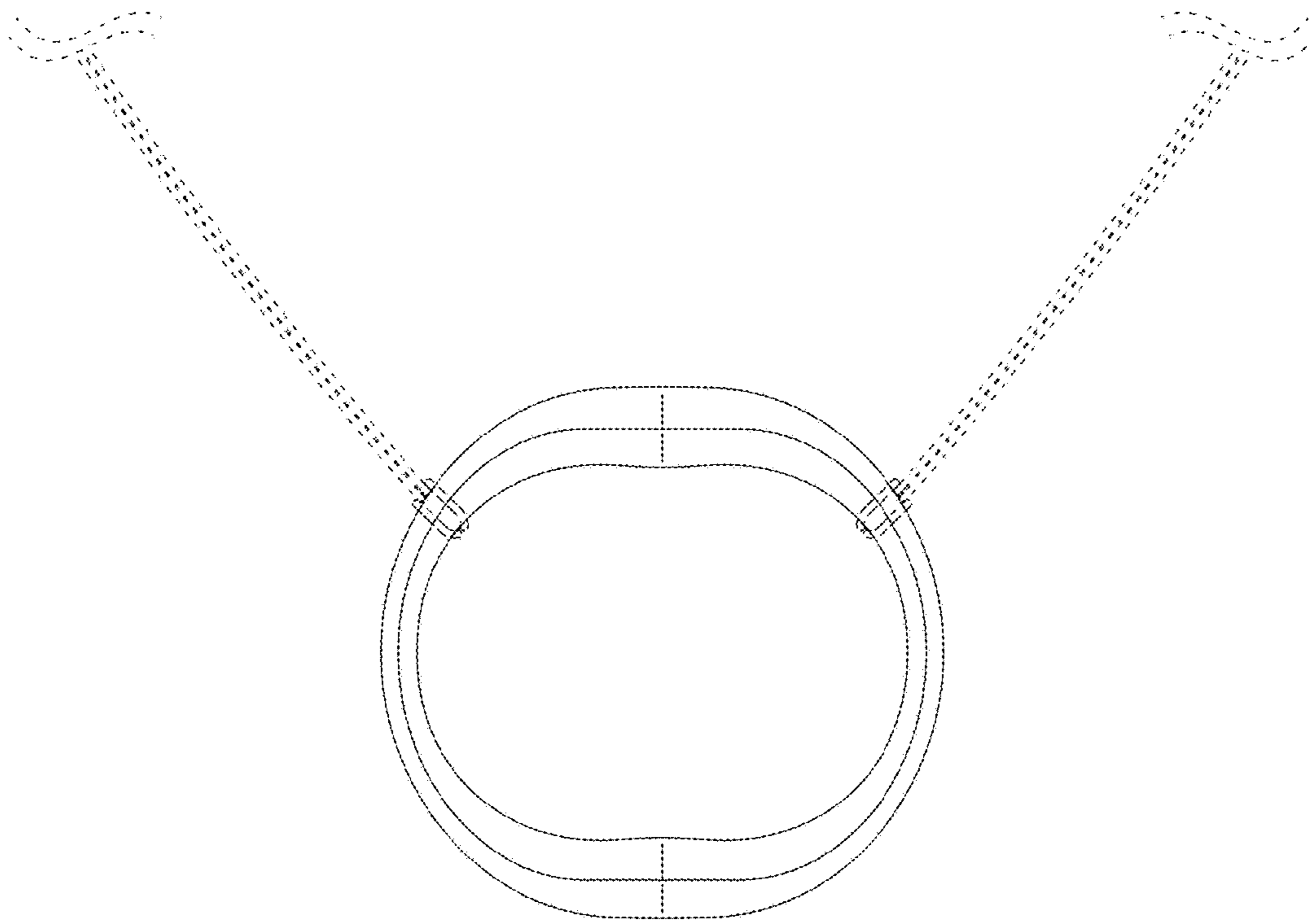


Fig. 19

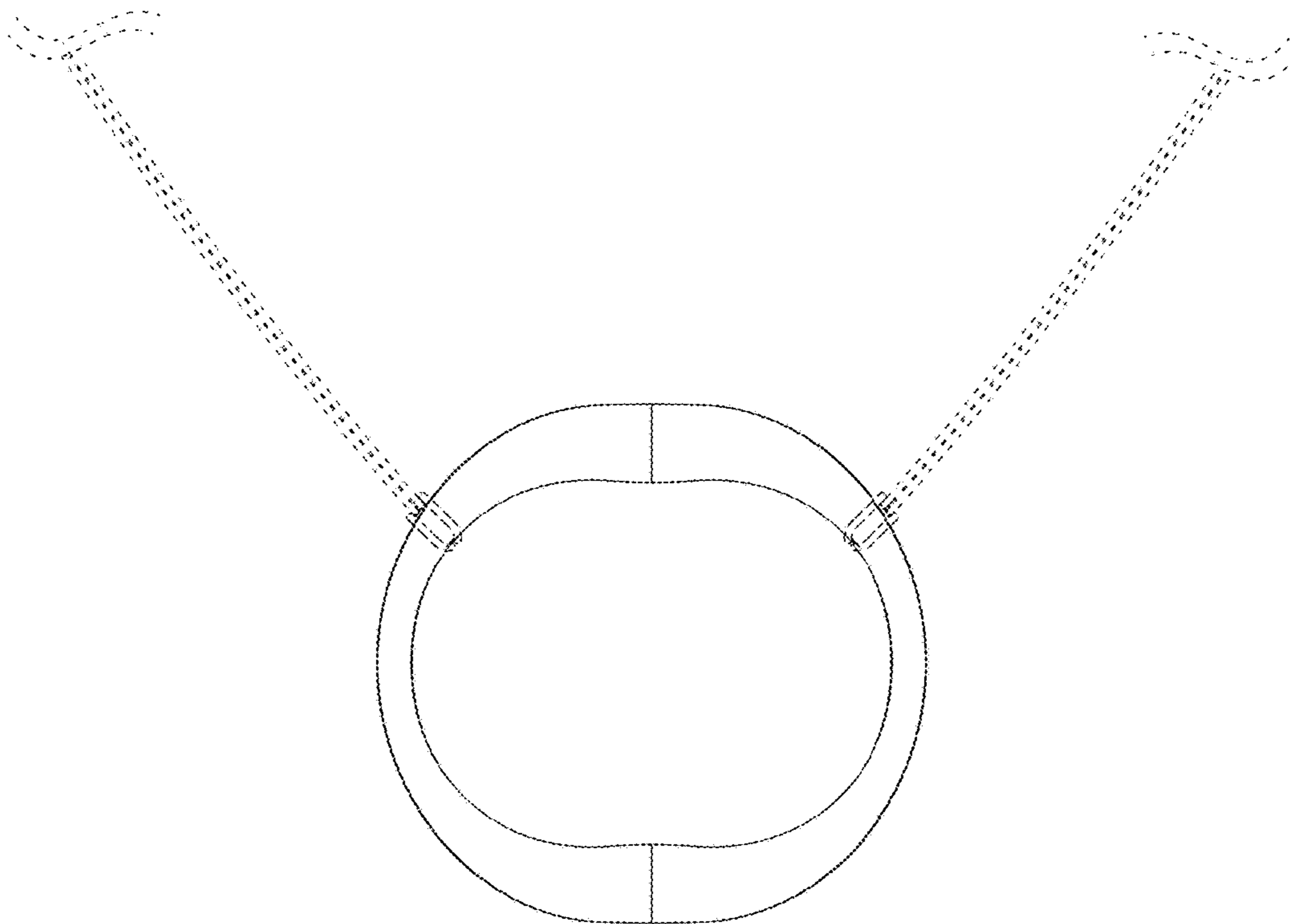


Fig. 20

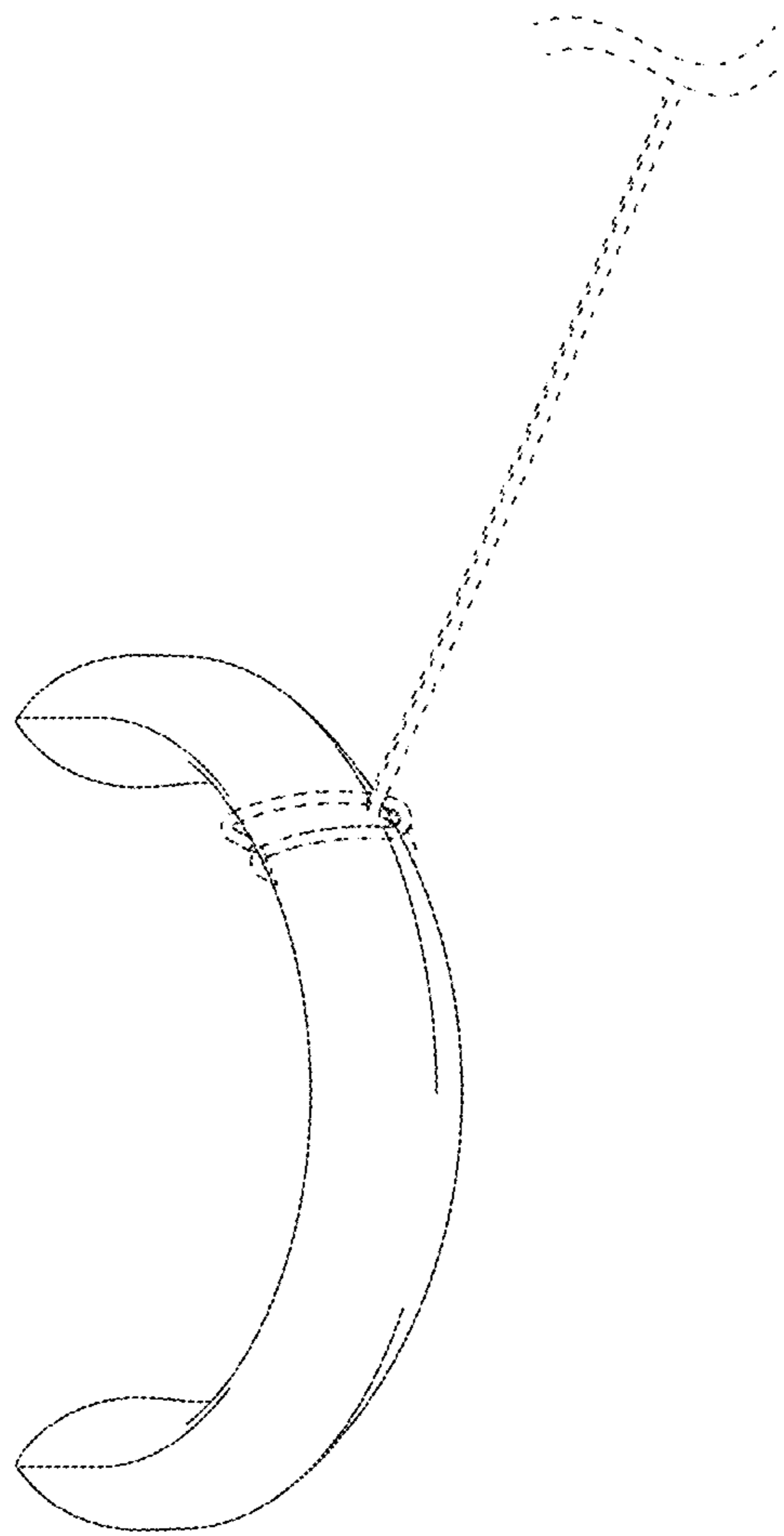


Fig. 21