



US00D789229S

(12) **United States Design Patent**
Akana et al.

(10) **Patent No.:** **US D789,229 S**
(45) **Date of Patent:** **** Jun. 13, 2017**

(54) **BAND**

(71) Applicant: **Apple Inc.**, Cupertino, CA (US)

(72) Inventors: **Jody Akana**, San Francisco, CA (US);
Bartley K. Andre, Palo Alto, CA (US);
Shota Aoyagi, San Francisco, CA (US);
Anthony Michael Ashcroft, San Francisco, CA (US);
Jeremy Bataillou, San Francisco, CA (US);
Daniel J. Coster, San Francisco, CA (US);
Daniele De Iuliis, San Francisco, CA (US);
M. Evans Hankey, San Francisco, CA (US);
Julian Hoenig, San Francisco, CA (US);
Richard P. Howarth, San Francisco, CA (US);
Jonathan P. Ive, San Francisco, CA (US);
Duncan Robert Kerr, San Francisco, CA (US);
Marc A. Newson, London (GB);
Matthew Dean Rohrbach, San Francisco, CA (US);
Peter Russell-Clarke, San Francisco, CA (US);
Benjamin Andrew Shaffer, San Jose, CA (US);
Mikael Silvano, San Francisco, CA (US);
Christopher J. Stringer, Woodside, CA (US);
Eugene Antony Whang, San Francisco, CA (US);
Rico Zörkendörfer, San Francisco, CA (US)

(73) Assignee: **Apple Inc.**, Cupertino, CA (US)

(**) Term: **15 Years**

(21) Appl. No.: **29/569,357**

(22) Filed: **Jun. 27, 2016**

Related U.S. Application Data

(63) Continuation of application No. 29/519,229, filed on Mar. 3, 2015, now Pat. No. Des. 760,107, which is a continuation of application No. 29/498,996, filed on Aug. 11, 2014, now Pat. No. Des. 731,346.

(51) **LOC (10) Cl.** **11-01**

(52) **U.S. Cl.**

USPC **D11/3**

(58) **Field of Classification Search**

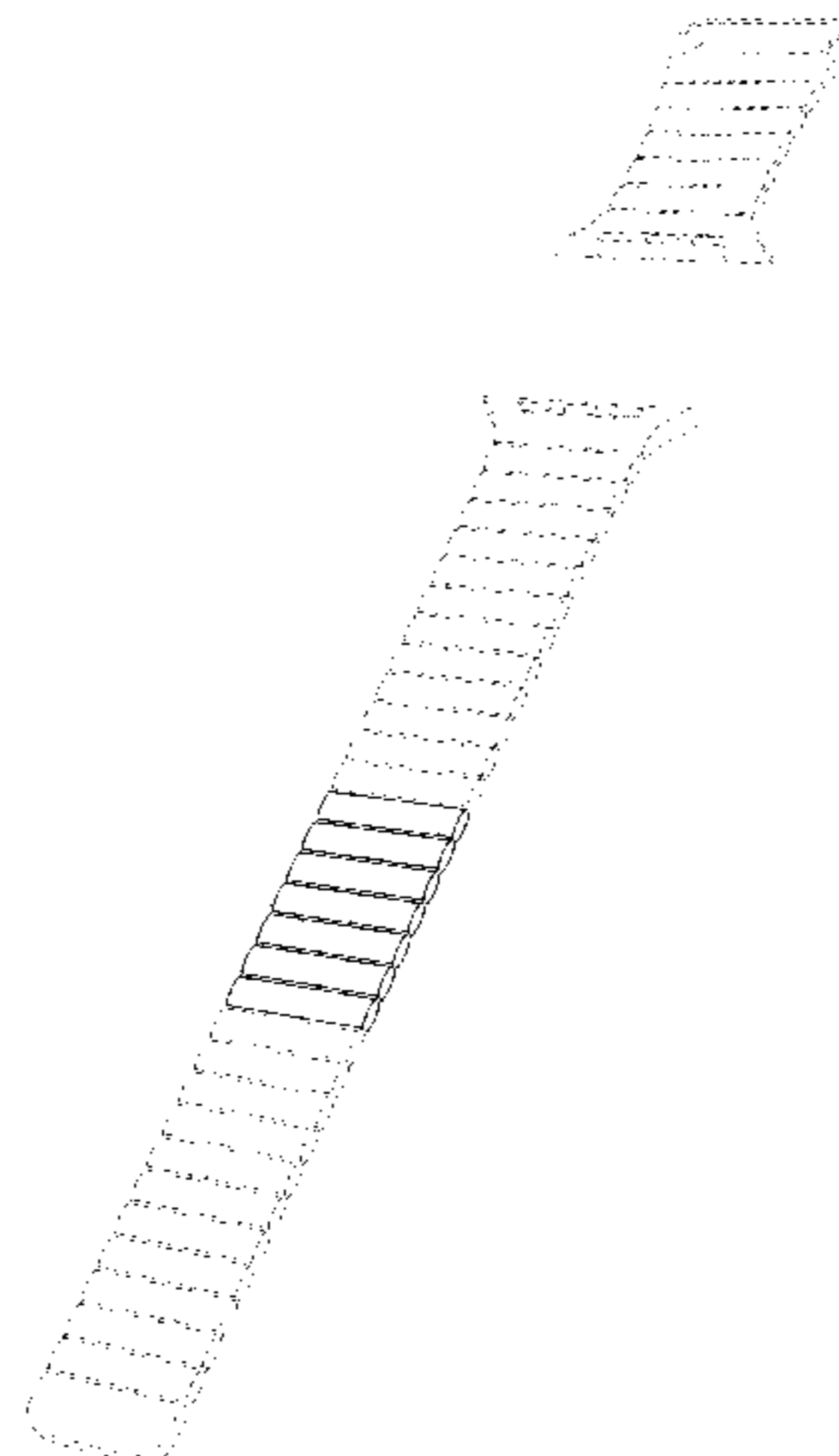
USPC D11/1-25, 86, 87, 93, 94, 234, 235, 231;
D10/30-39, 70, 46; 368/282, 285;
600/301; 224/164, 175
CPC G04B 37/1486; G04B 37/16; G04B 37/18;
A44C 5/14; A44C 5/0053; A44C 5/0069;
A44C 5/0076; A44C 5/00; A44C 5/0007;
A44C 5/0015; A44C 5/0023; A44C
5/003; A44C 5/0061; A44C 5/12; A44C
5/147; A44C 5/18; A44C 5/185; A44C
5/2047; A44C 5/2052; A44B 11/006;
A44B 11/24

See application file for complete search history.

(56) **References Cited**

U.S. PATENT DOCUMENTS

1,738,407 A	12/1929	Tost
1,764,440 A	6/1930	Gammell et al.
1,786,943 A	12/1930	Gammell
D152,491 S	1/1949	Osier
3,030,686 A	4/1962	Burkhardt
3,372,500 A	3/1968	Claude
3,550,824 A	12/1970	Madeline
3,665,565 A	5/1972	Kruger
3,675,284 A	7/1972	Rieth
3,740,804 A	6/1973	Levinger
3,803,834 A	4/1974	Reese
D248,547 S	7/1978	Fernando
D249,244 S	9/1978	Salter
D250,634 S	12/1978	Porsche
D256,568 S	8/1980	Young
4,266,400 A	5/1981	Tabata
D260,977 S	9/1981	Rimmler
D269,254 S	6/1983	Kishimoto
D276,415 S	11/1984	Ecoffey
D287,705 S	1/1987	Malamoud
D289,381 S	4/1987	Schneider
D297,417 S	8/1988	Asano et al.
D299,718 S	2/1989	Steer et al.
D305,422 S	1/1990	Steer et al.
D308,852 S	6/1990	Wakamatsu
D310,334 S	9/1990	Jahan
D331,020 S	11/1992	Ishii et al.
D333,626 S	3/1993	Chang
D349,864 S	8/1994	Dunlap et al.
5,363,351 A	11/1994	Carney



D355,375 S	2/1995	Bandy, II	
D365,286 S	12/1995	Florian	
D381,585 S	7/1997	Gogniat	
D408,301 S	4/1999	Porsche et al.	
D455,093 S	4/2002	Fitzgerald	
D459,674 S	7/2002	Razza	
D473,818 S	4/2003	Salvisberg	
D488,392 S	4/2004	Tschumi	
D494,098 S	8/2004	Cohen	
6,782,690 B2	8/2004	Kwan	
7,013,631 B2	3/2006	Carrola	
D528,439 S	9/2006	Burton	
D528,928 S	9/2006	Burton	
7,107,790 B2	9/2006	Frank	
D536,265 S	2/2007	Reynoso	
D538,687 S	3/2007	Komulainen	
D549,602 S	8/2007	Oberrieder et al.	
D550,105 S	9/2007	Oberrieder et al.	
D560,520 S	1/2008	Oberrieder et al.	
D568,175 S	5/2008	Martinez et al.	
D569,282 S	5/2008	Daniel	
D573,905 S	7/2008	Poirier	
D574,262 S	8/2008	Martinez et al.	
D575,656 S	8/2008	Scholpp	
D581,811 S	12/2008	Messmer et al.	
D583,682 S	12/2008	Blank	
D588,472 S	3/2009	Messmer et al.	
D610,476 S	2/2010	Daniel	
D614,512 S	4/2010	Monachon	
D631,761 S	2/2011	Barbier	
D645,360 S	9/2011	Kiser et al.	
D670,583 S	11/2012	Shaanan	
D672,667 S	12/2012	Mix	
8,601,784 B2	12/2013	Kaltenrieder	
D704,077 S	5/2014	Monachon	
D724,469 S	3/2015	Akana et al.	
D727,197 S	4/2015	Akana et al.	
D727,198 S	4/2015	Akana et al.	
D727,199 S	4/2015	Akana et al.	
D727,787 S	4/2015	Akana et al.	
D728,409 S	5/2015	Bar-Am	
D731,346 S	6/2015	Akana et al.	
D732,416 S	6/2015	Akana et al.	
D736,664 S	8/2015	Paradise et al.	
D737,156 S	8/2015	Akana et al.	
D737,157 S	8/2015	Akana et al.	
D737,158 S	8/2015	Akana et al.	
D737,159 S	8/2015	Akana et al.	
D739,780 S	9/2015	Akana et al.	
D744,356 S	12/2015	Akana et al.	
D745,421 S	12/2015	Akana et al.	
D746,707 S	1/2016	Akana et al.	
D746,718 S *	1/2016	Akana	D11/3
D748,008 S	1/2016	Akana et al.	
D748,009 S	1/2016	Akana et al.	
D748,010 S	1/2016	Akana et al.	
D748,527 S	2/2016	Akana et al.	
D749,009 S	2/2016	Akana et al.	
D749,460 S	2/2016	Akana et al.	
D751,070 S	3/2016	Akana et al.	
D756,357 S	5/2016	Akana et al.	
D757,590 S *	5/2016	Akana	D11/3
D757,594 S *	5/2016	Akana	D11/5
D759,725 S	6/2016	Akana et al.	
D760,107 S *	6/2016	Akana	D11/5
D761,793 S *	7/2016	Akana	D10/31
2005/0210857 A1	9/2005	Carrola	
2014/0096345 A1	4/2014	Tschumi	
2014/0098649 A1	4/2014	Tschumi	

FOREIGN PATENT DOCUMENTS

CN	2613171 Y	4/2004
DE	10311560 A1	9/2004
EP	2636328 A1	9/2013
FR	906187-001	2/1991
GB	618917 A	3/1949
GB	2047514 A	12/1980
GB	2033807	3/1994

GB	2082277	6/1999
JP	D1130391	1/2002
JP	D1194393	1/2004
JP	D1329491	5/2008
JP	D1337213	8/2008
JP	D1348945	1/2009
JP	D1350052	2/2009
JP	D1465158	3/2013
KR	30-0476859	1/2008
KR	30-0476860	1/2008
WO	WO-DM/024020-001	11/1992
WO	WO-DM052310	6/2000
WO	WO-DM/060838-003	9/2002
WO	WO-2013182397 A1	12/2013

OTHER PUBLICATIONS

U.S. Appl. No. 29/499,081, filed Aug. 11, 2014; Akana et al.
 U.S. Appl. No. 29/499,082, filed Aug. 11, 2014; Akana et al.
 U.S. Appl. No. 29/499,090, filed Aug. 11, 2014; Akana et al.
 U.S. Appl. No. 29/501,624, filed Sep. 5, 2014; Akana et al.
 U.S. Appl. No. 29/501,772, filed Sep. 8, 2014; Akana et al.
 U.S. Appl. No. 29/532,117, filed Jul. 1, 2015; Akana et al.
 CBWatches.com, “Braun Men’s Prestige Digital Watch BN0106BKBTG With Black Plated Stainless Steel Case and Bracelet,” <<http://cbwatches.com/shop/braun-mens-prestige-digital-watch-bn0106kbtg-with-black-plated-stainless-steel-case-and-bracelet/>>, accessed Dec. 17, 2014.
 haedges, “1 Set Silver End Cap Clasp—Findings Large Toggle Clasp End Caps Buckle Connector with Five Inside Loops for Jewelry Making 26mm,” <<http://www.etsy.com/listing/101269004/1-set-silver-end-cap-clasp-findings?ref=market>>, Listed on Aug. 29, 2014, accessed Oct. 9, 2014.
 JPO’s Document No. HA23009178, Real Design No. 3, vol. 7, p. 11, Jan. 16, 2012, Ei Publishing Co., Ltd. (Japan).
 JPO’s Document No. HB26003714, Global Sources Gifts & Premiums No. 6, vol. 8, p. 17 Aug. 7, 2014, Trade Media Holdings Ltd. (Hong Kong).
 Metal Watch Band Silver Tone Stainless Steel Simple Narrow Expansion Band with Expandable Ends 8-11MM, <<http://www.esslinger.com/11mm-silver-narrow-expansion-replacement-watch-band-for-women.aspx>>, accessed Dec. 5, 2014.
 [online] <http://cnet4.cbsiatic.com/hub/i/r/2014/09/09/1d101da2-7abd-40aa-b0c9-94e4f9b27b95/thumbnail/770x433/c2705e97ac76cc74f2c19abc83929de9/apple-event-apple-watch-5446.jpg>. Retrieved on Feb. 17, 2015.
 [online] <https://support.apple.com/library/content/dam/edam/applecare/images/en-US/applewatch/watch-leather-loop-band-fasten.jpg>. Retrieved Dec. 9, 2015.
 [online] <http://tock.cdn.assets.watchaware.com/wp-content/uploads/2015/03/aluminum-and-leather.jpg>. Retrieved Aug. 14, 2015.

* cited by examiner

Primary Examiner — Melanie Pellegrini
 (74) Attorney, Agent, or Firm — Sterne, Kessler, Goldstein & Fox P.L.L.C.

(57) CLAIM

The ornamental design for a band, as shown and described.

DESCRIPTION

FIG. 1 is a bottom front perspective view of a band showing the claimed design;
 FIG. 2 is a bottom rear perspective view thereof;
 FIG. 3 is a front view thereof;
 FIG. 4 is a rear view thereof;
 FIG. 5 is a right side view thereof;
 FIG. 6 is a left side view thereof;
 FIG. 7 is a top view thereof;

FIG. 8 is a bottom view thereof; and,
FIG. 9 is a perspective view thereof showing the band in an environment in which it may be used.
The broken lines in the figures show portions of the band and environment that form no part of the claimed design.

1 Claim, 6 Drawing Sheets

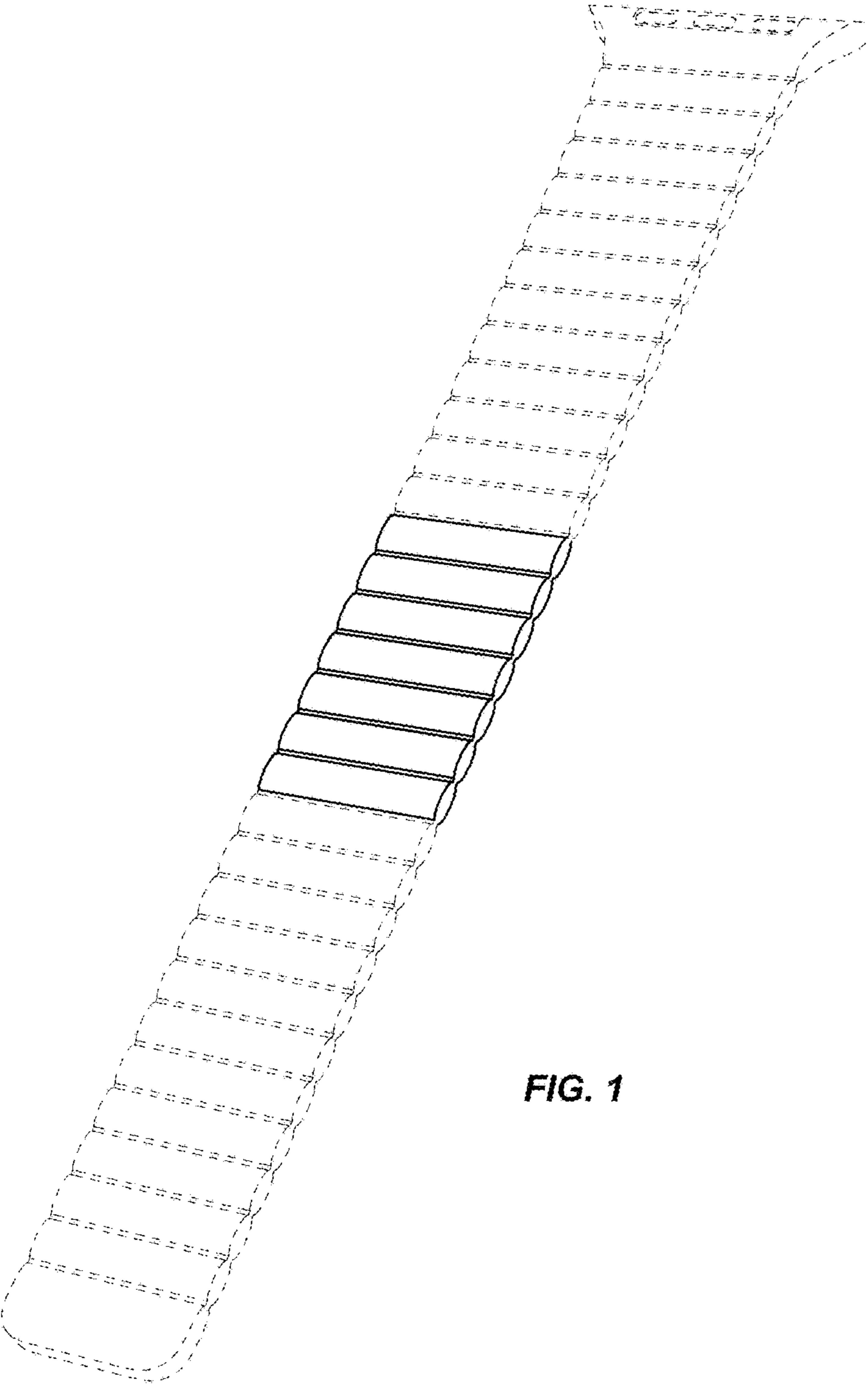
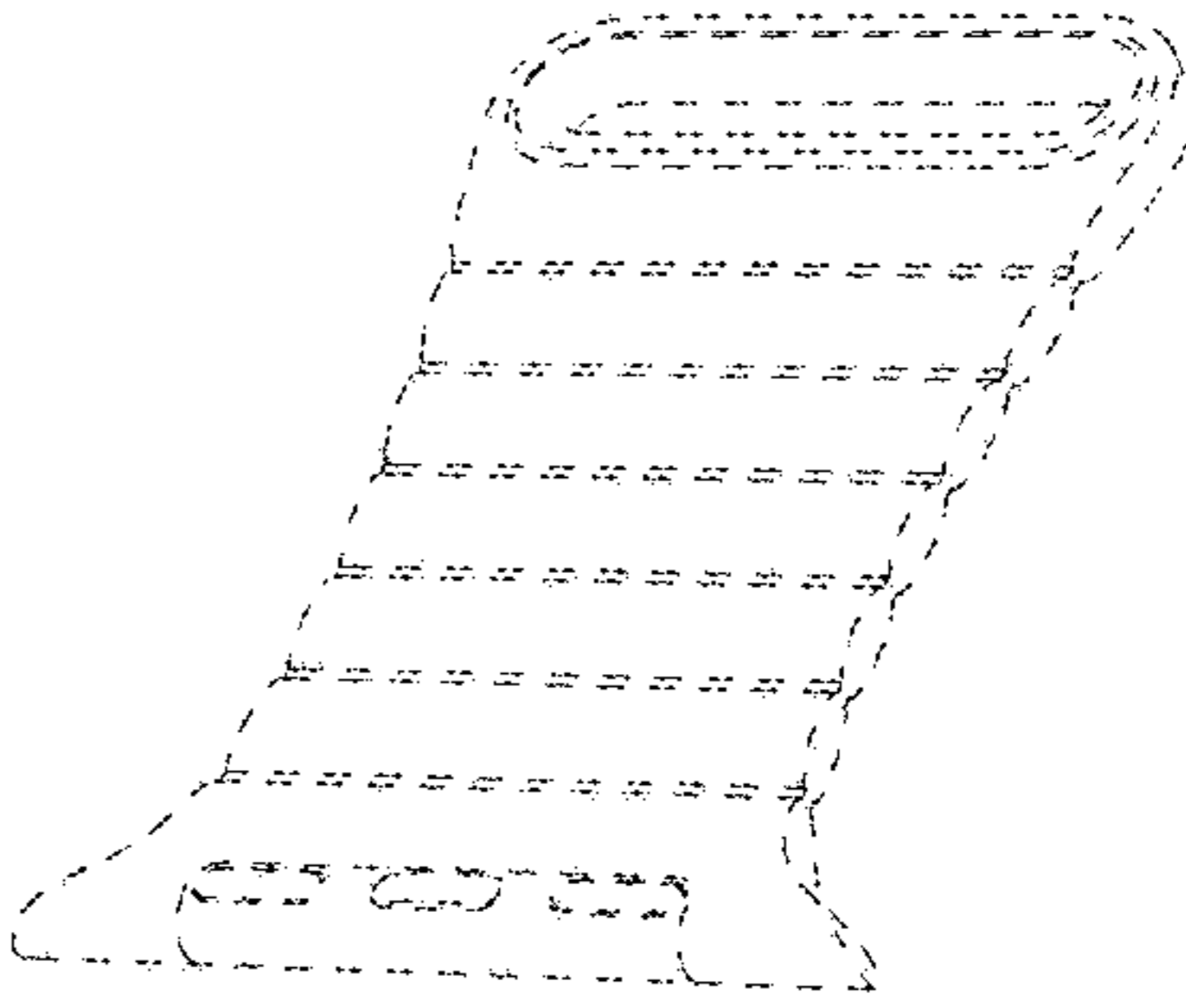


FIG. 1

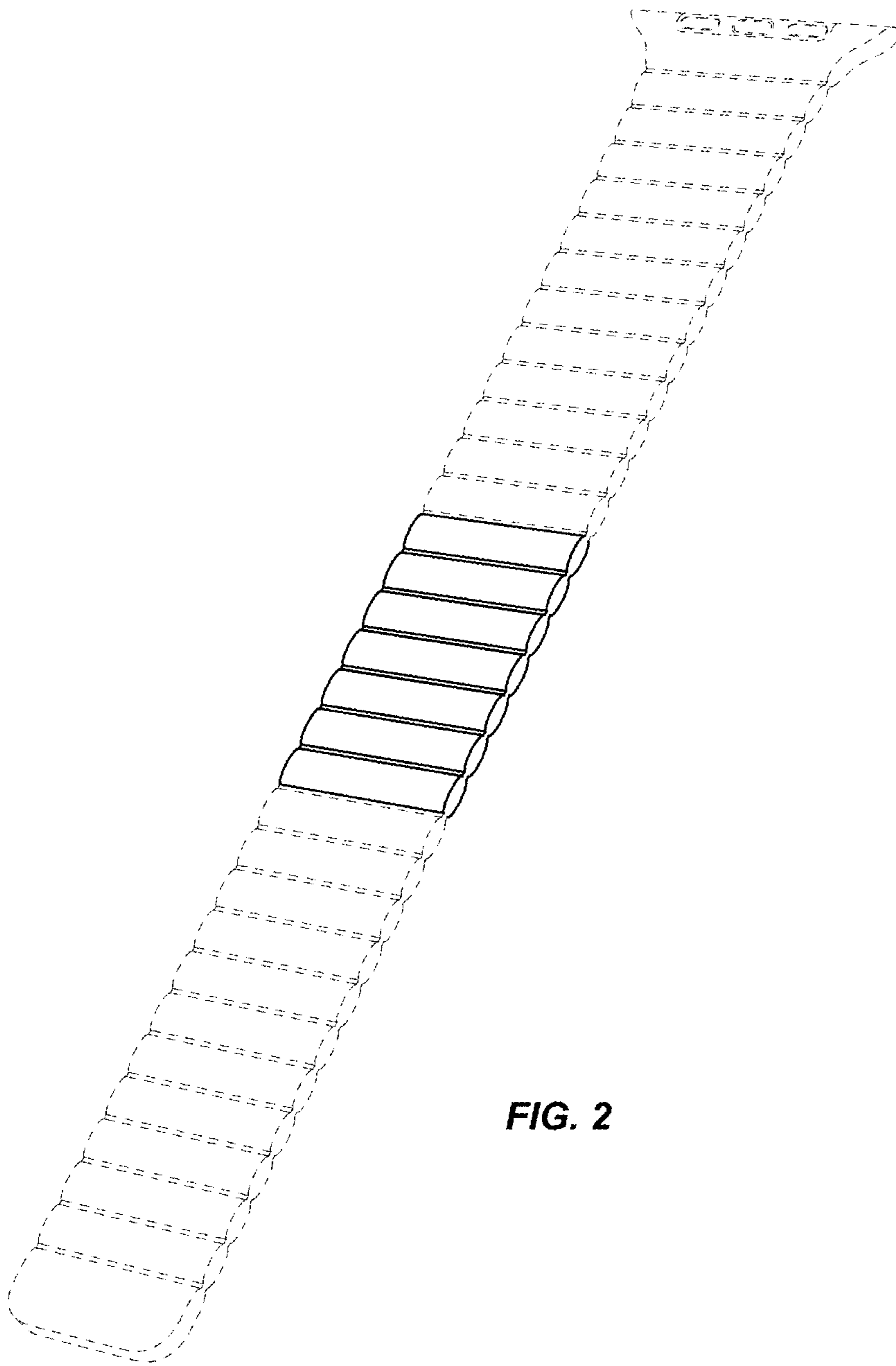
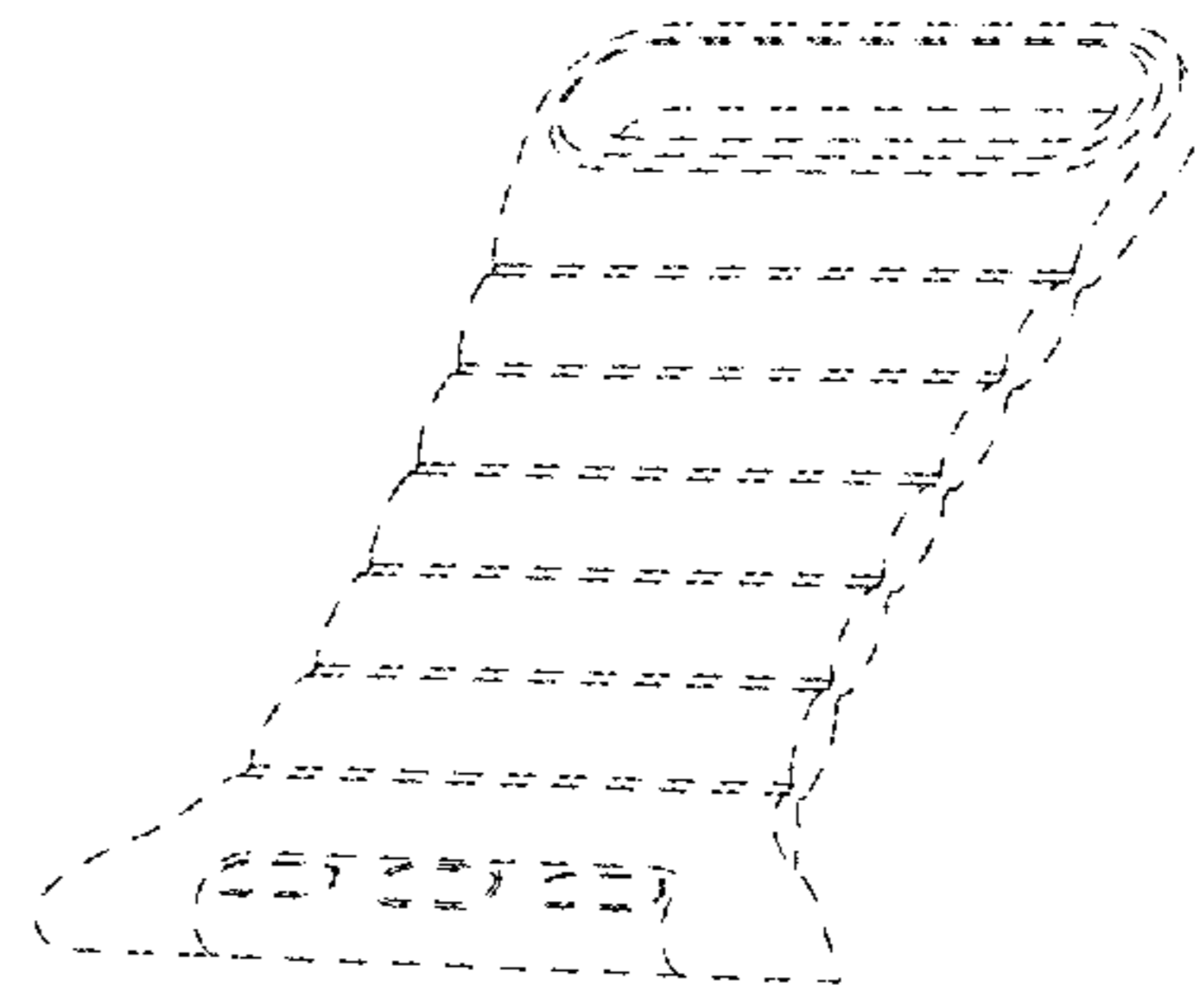


FIG. 2

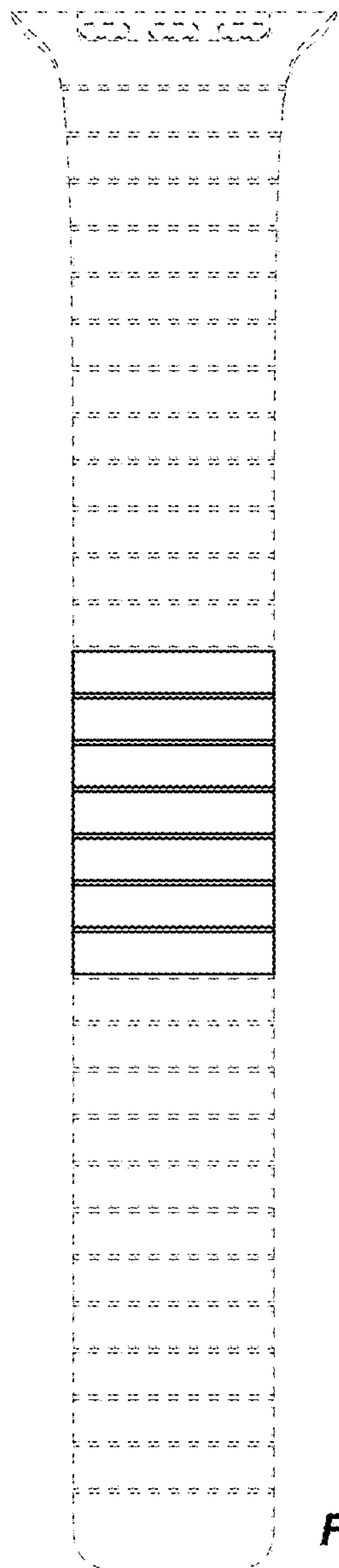
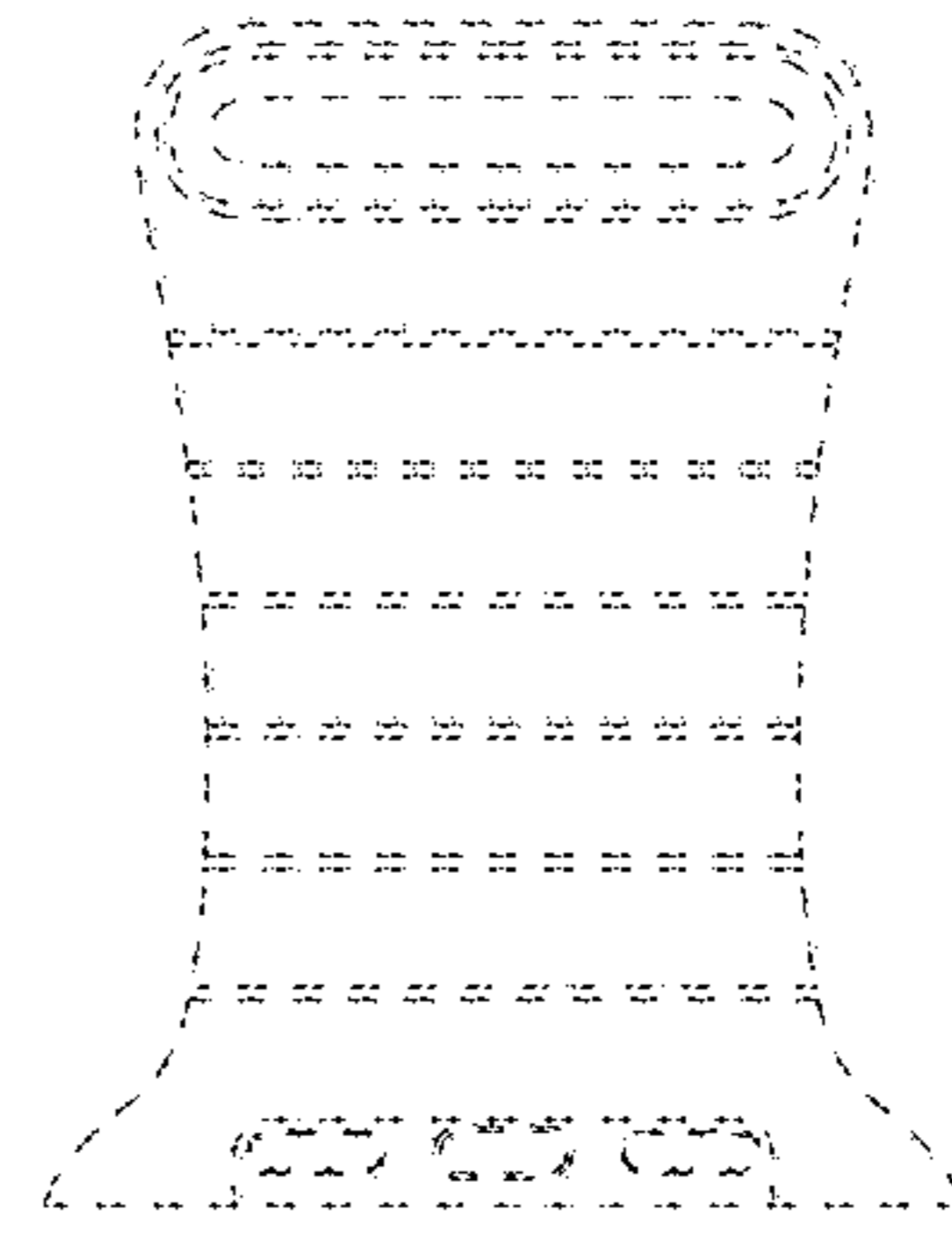
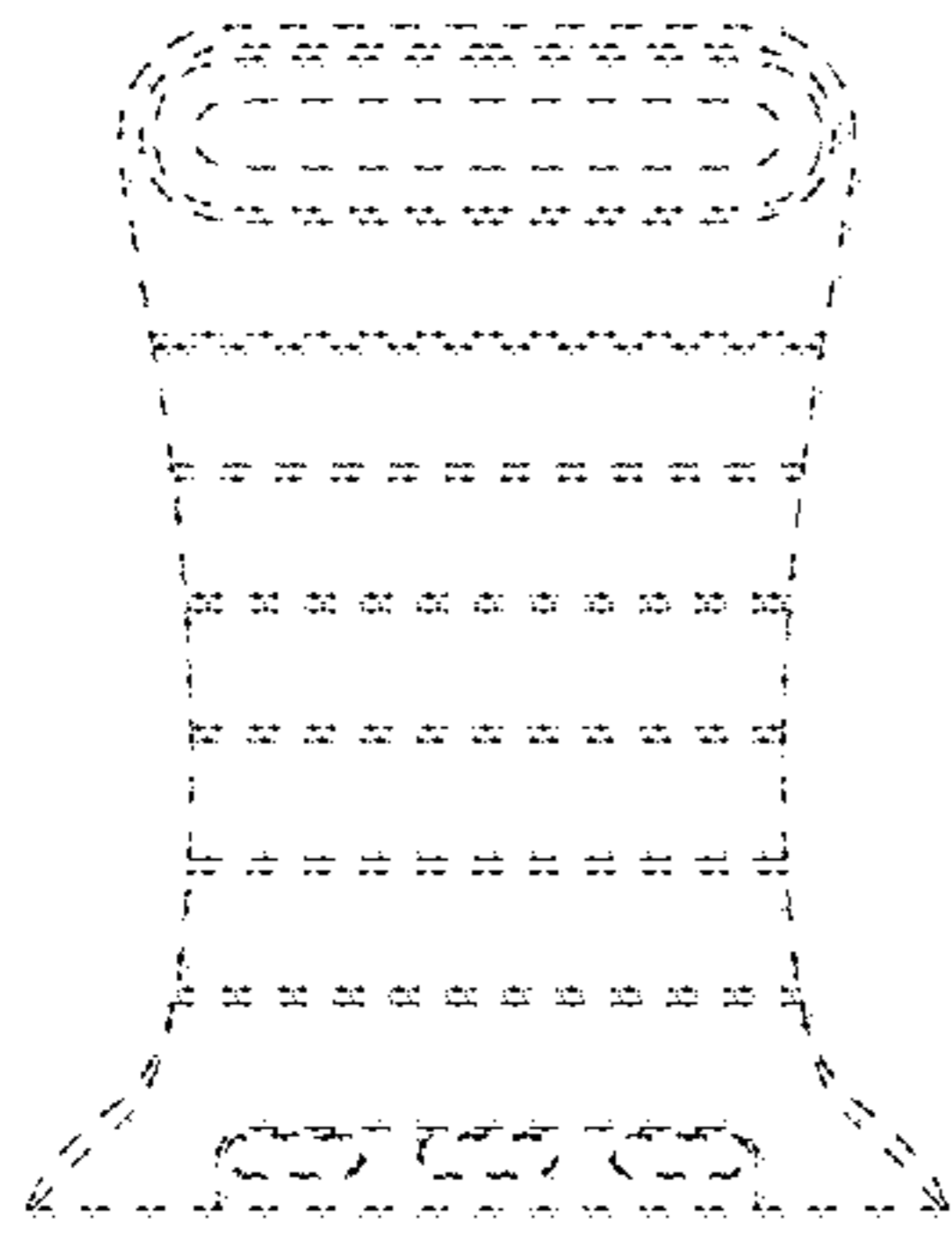


FIG. 3

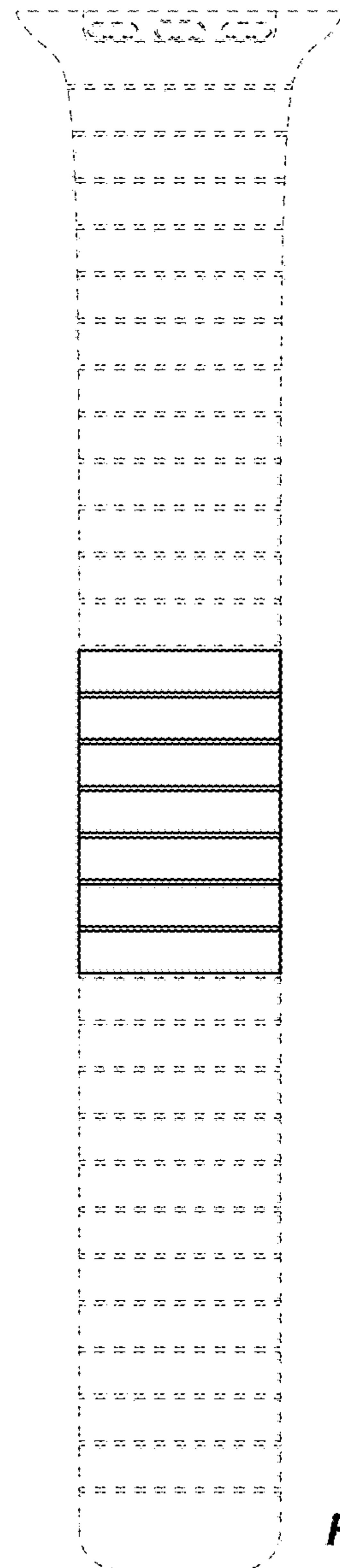


FIG. 4

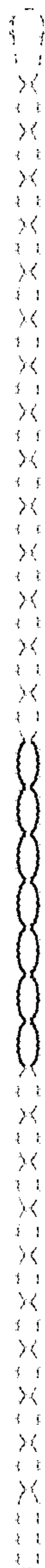
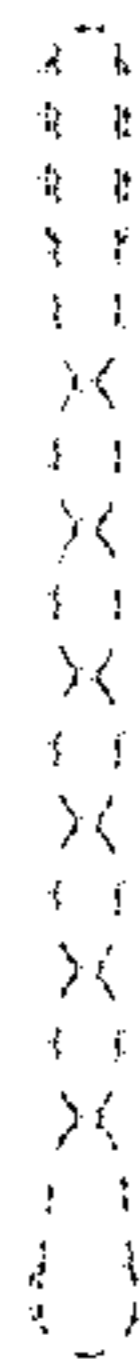


FIG. 5

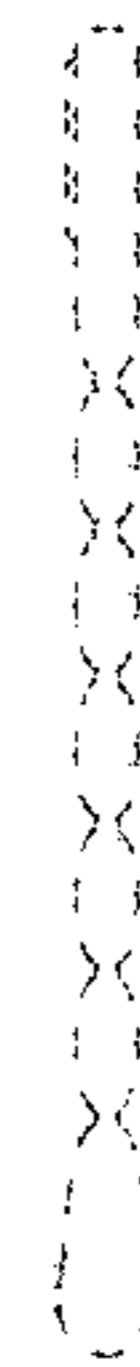


FIG. 6

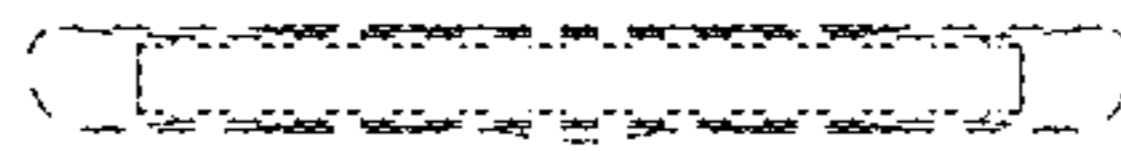


FIG. 7

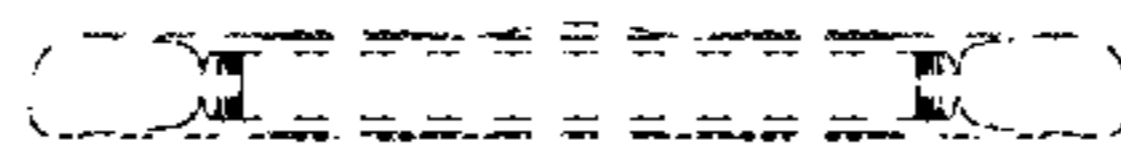


FIG. 8

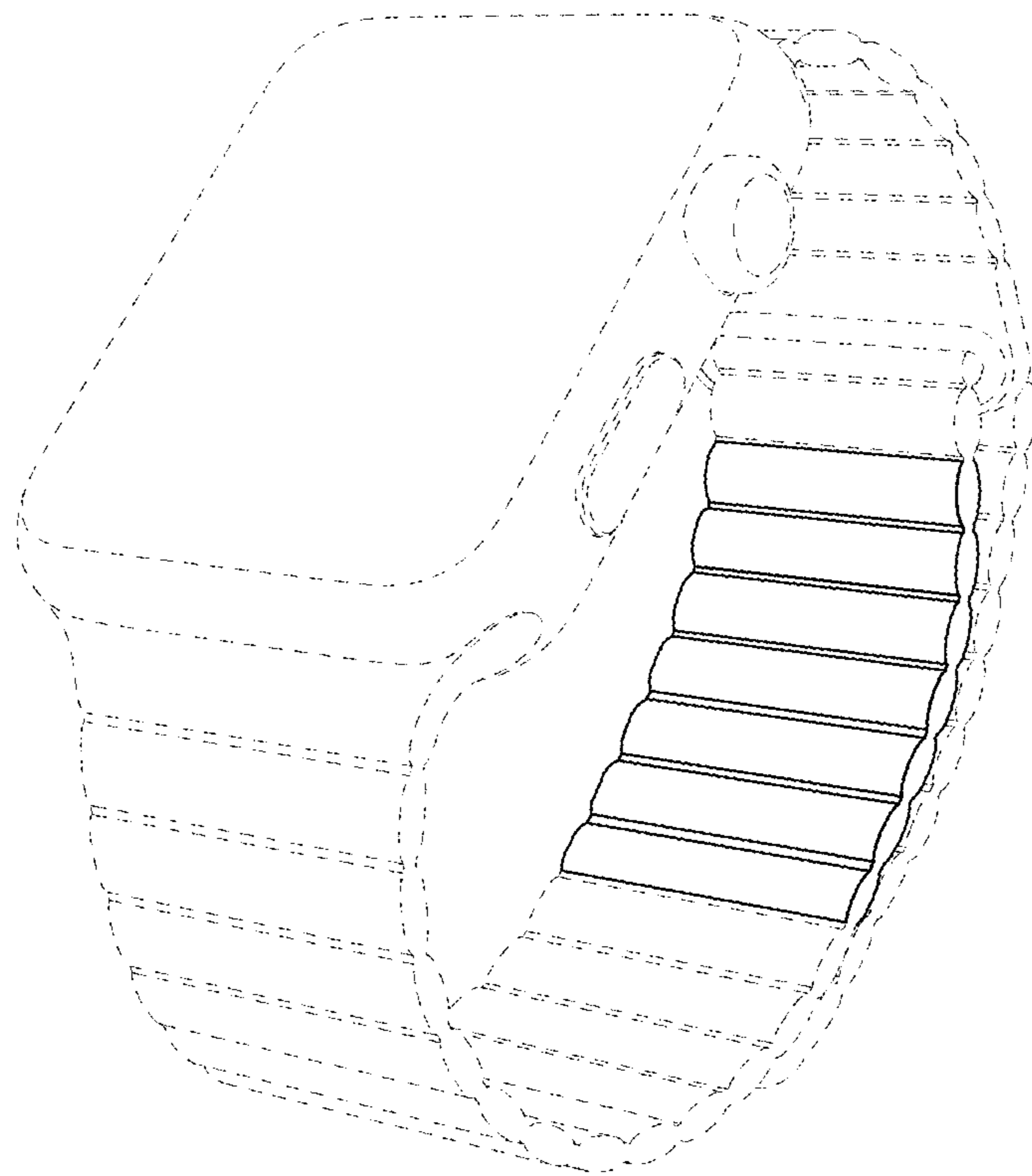


FIG. 9