



US00D789227S

(12) **United States Design Patent**
Calvani

(10) **Patent No.:** **US D789,227 S**
(45) **Date of Patent:** **** Jun. 13, 2017**

(54) **WATCH RIVET**

(71) Applicant: **ROLEX WATCH U.S.A., Inc.**, New York, NY (US)

(72) Inventor: **Maria Cristina Calvani**, Cologny (CH)

(73) Assignee: **ROLEX WATCH U.S.A., Inc.**, New York, NY (US)

(**) Term: **15 Years**

(21) Appl. No.: **29/537,432**

(22) Filed: **Aug. 26, 2015**

(30) **Foreign Application Priority Data**

Mar. 17, 2015 (CH) 141316

(51) **LOC (10) Cl.** **10-07**

(52) **U.S. Cl.**
USPC **D10/128**

(58) **Field of Classification Search**
USPC D10/30-39, 128, 130, 129, 131, 126;
D8/387, 386

CPC G04B 45/02; G04B 18/02; G04B 17/06;
G04B 17/063; G04B 17/28; G04B 17/20;
F16B 19/08; F16B 19/04

See application file for complete search history.

(56) **References Cited**

U.S. PATENT DOCUMENTS

D531,888 S * 11/2006 Barnes D8/382
D650,301 S * 12/2011 Greubel D10/128

D700,535 S * 3/2014 Graf D10/128
D730,764 S * 6/2015 Graf D10/128
D733,603 S * 7/2015 Graf D10/128
2015/0301504 A1* 10/2015 Kim G04B 45/02
368/238
2015/0346687 A1* 12/2015 Damasko G04B 17/06
368/175
2016/0011568 A1* 1/2016 Heinz G04F 7/0814
368/106

* cited by examiner

Primary Examiner — Robin V Webster

Assistant Examiner — James Thorn, Sr.

(74) *Attorney, Agent, or Firm* — Sughrue Mion, PLLC

(57) **CLAIM**

The ornamental design for a watch rivet, as shown and described.

DESCRIPTION

FIG. 1 is a perspective view of the watch rivet according to my new design;

FIG. 2 is a front view thereof;

FIG. 3 is a rear view thereof;

FIG. 4 is a right side view thereof;

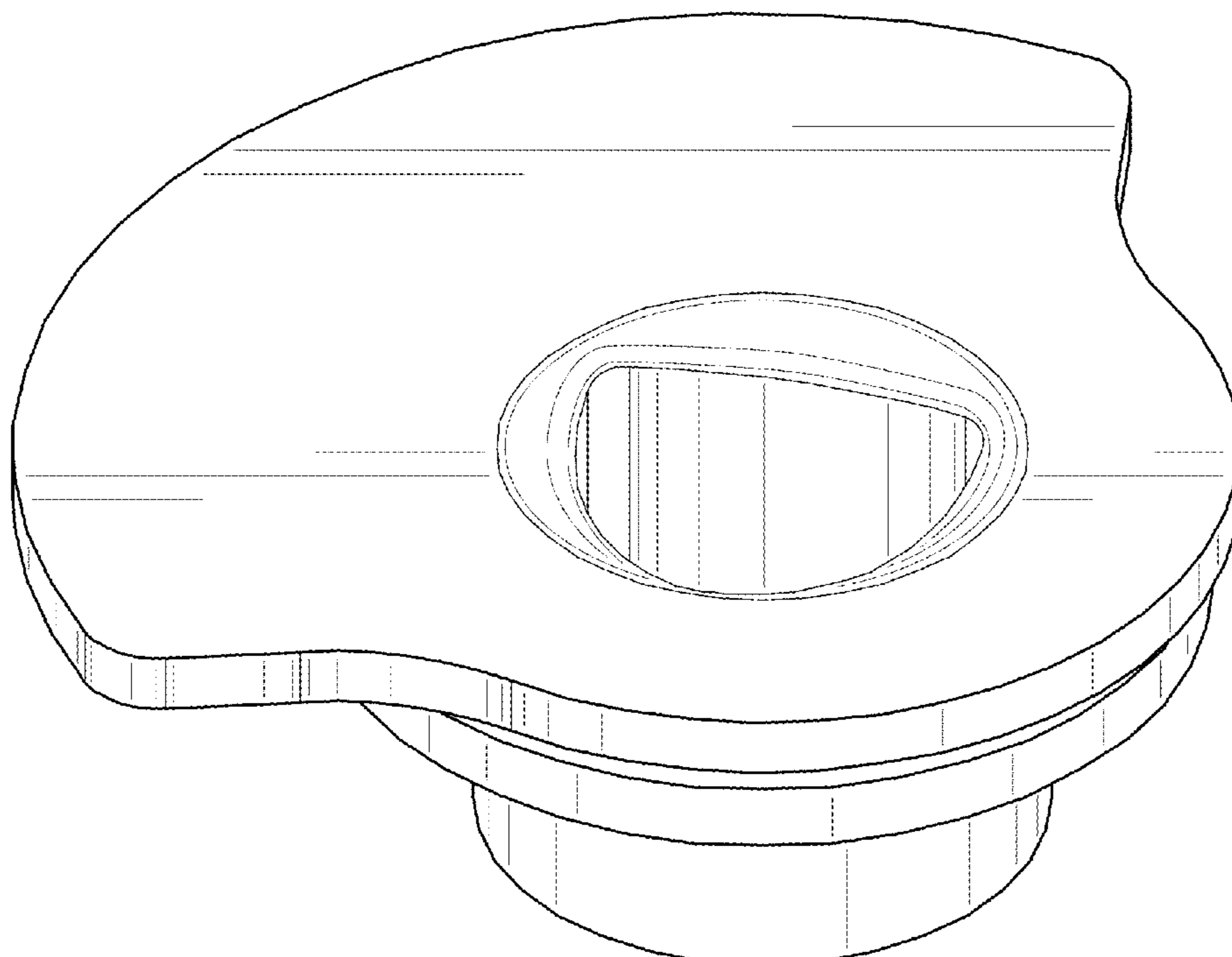
FIG. 5 is a left side view thereof;

FIG. 6 is a top view thereof; and,

FIG. 7 is a bottom view thereof.

The broken lines shown in the drawings are included for the purpose of illustrating environmental structure and form no part of the claimed design.

1 Claim, 7 Drawing Sheets



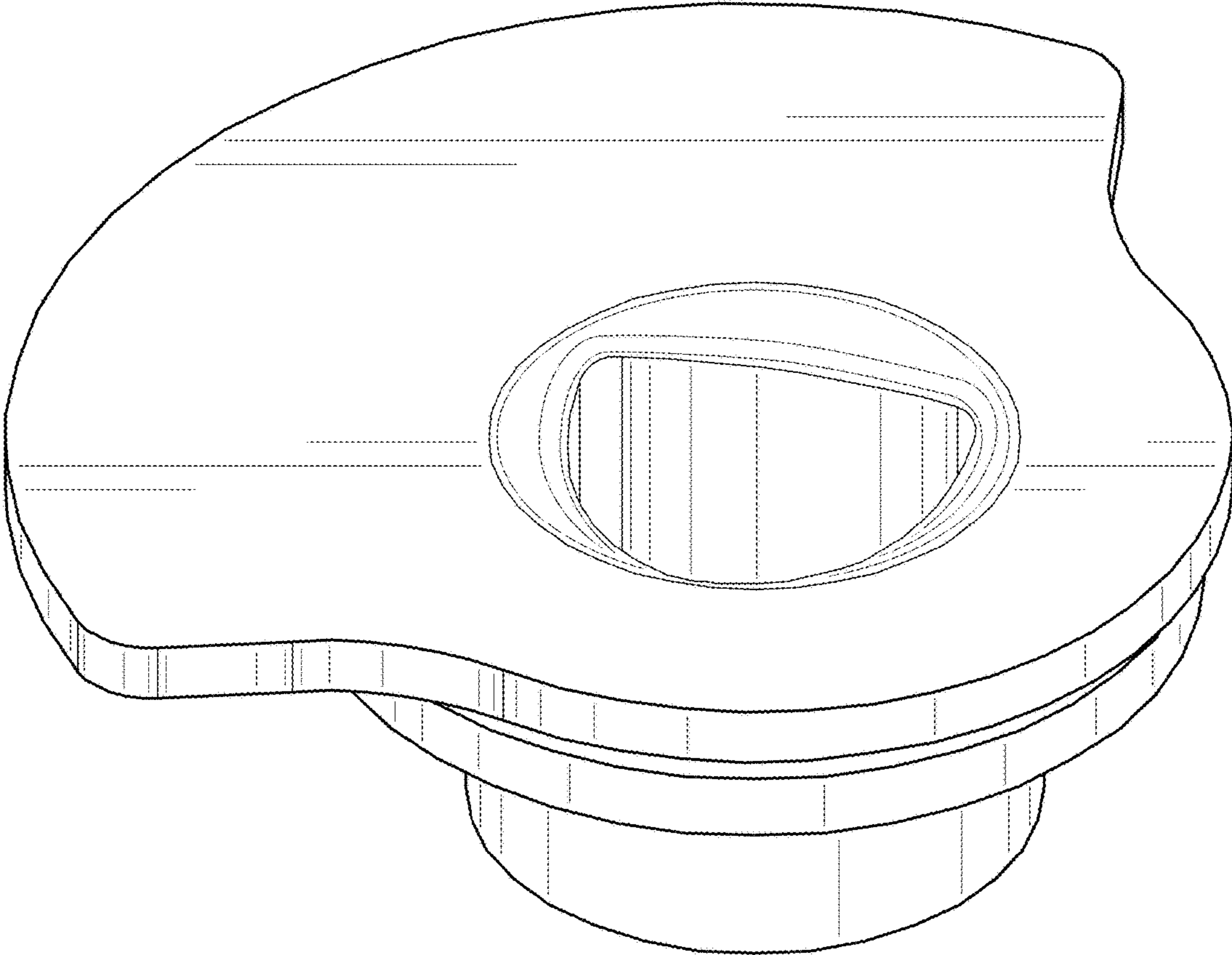


FIG. 1

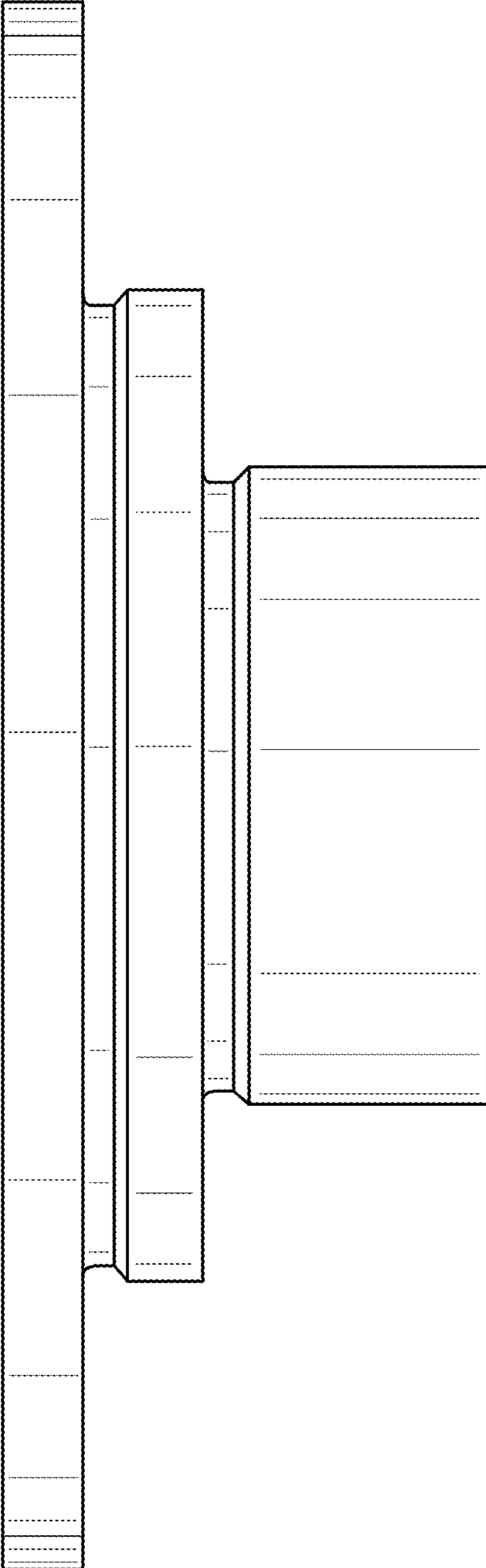


FIG. 2

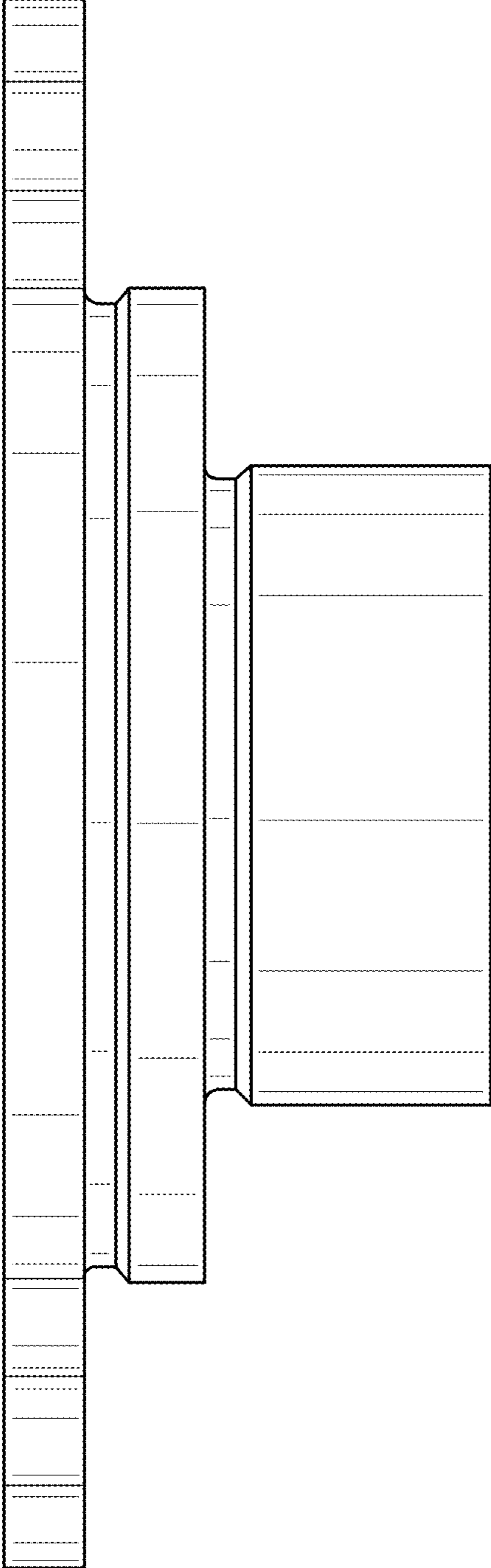


FIG. 3

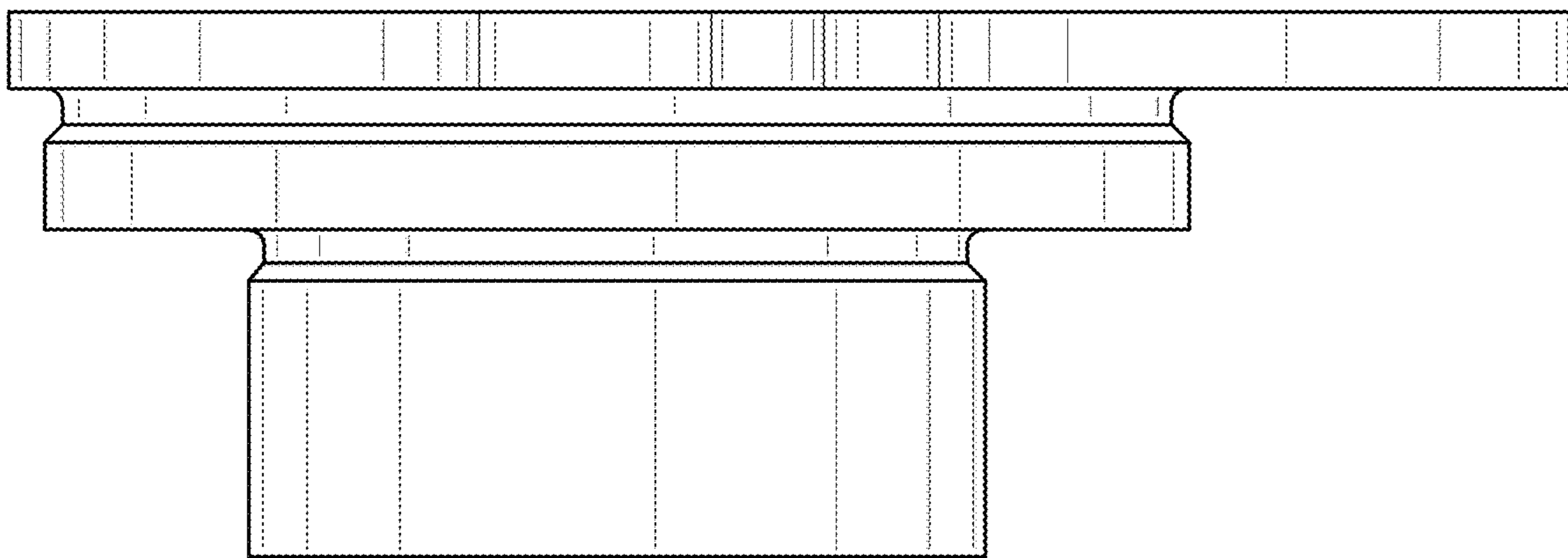


FIG. 4

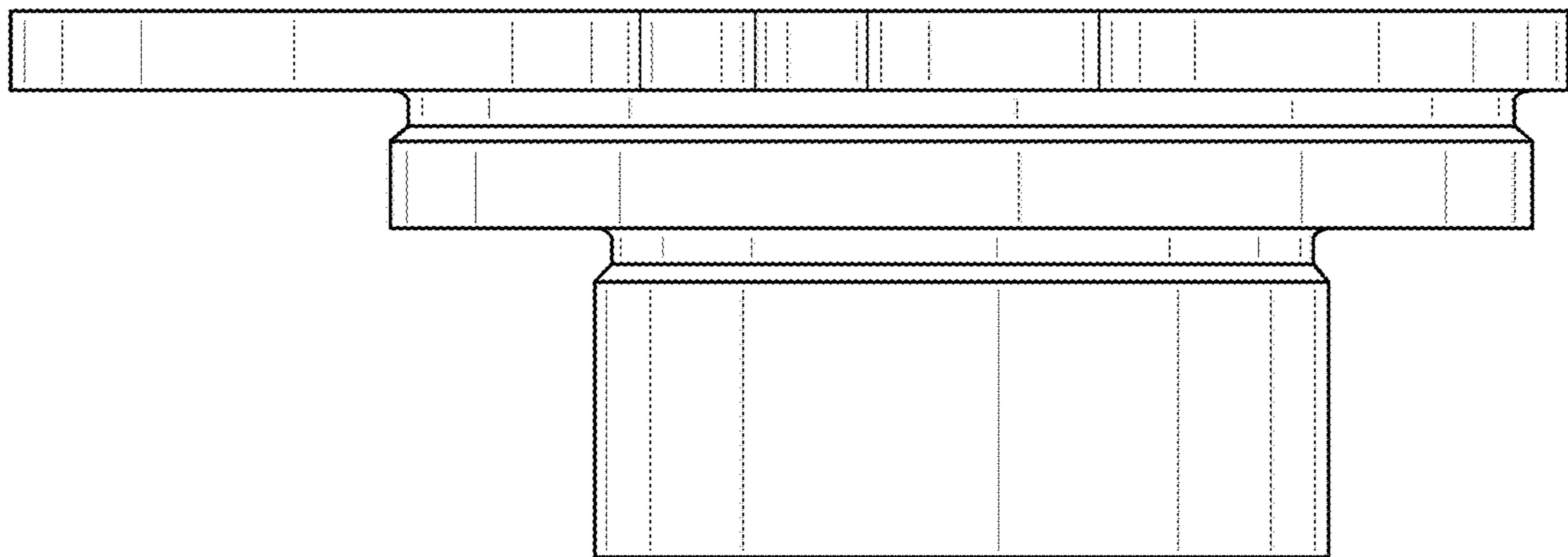


FIG. 5

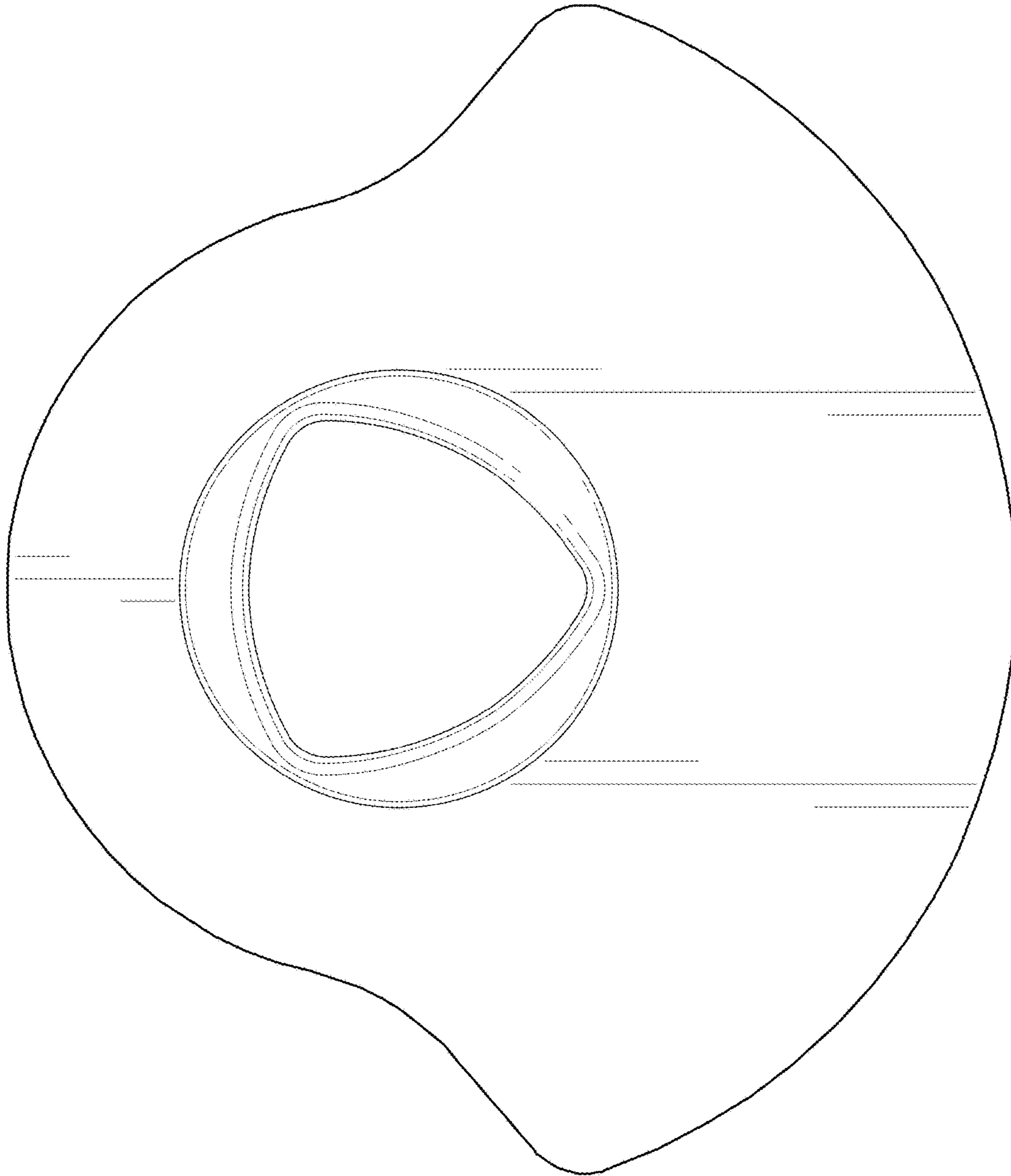


FIG. 6

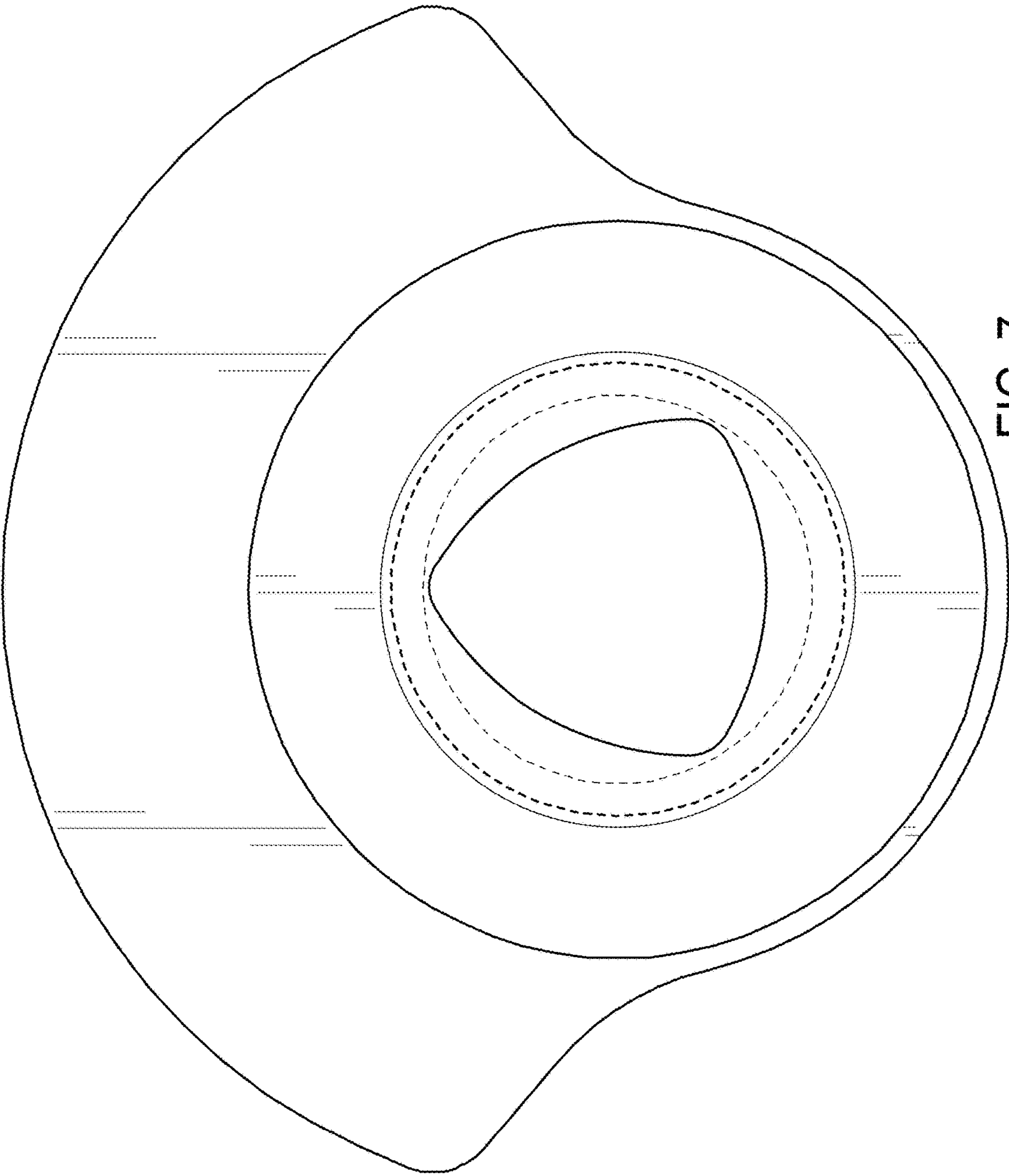


FIG. 7