



US00D789226S

(12) **United States Design Patent**
Wiedmann

(10) **Patent No.:** **US D789,226 S**
(45) **Date of Patent:** **** Jun. 13, 2017**

(54) **DISPLACEMENT FLOW METER**

(71) Applicant: **Macnaught Pty Limited**, Turrella,
NSW (AU)
(72) Inventor: **Artur Wiedmann**, Turrella (AU)
(73) Assignee: **Macnaught Pty Limited**, Turrella (AU)

(**) Term: **15 Years**

(21) Appl. No.: **29/563,387**

(22) Filed: **May 4, 2016**

(30) **Foreign Application Priority Data**

Dec. 3, 2015 (AU) 201516540

(51) **LOC (10) Cl.** **10-04**

(52) **U.S. Cl.**
USPC **D10/96**

(58) **Field of Classification Search**
USPC D10/96
CPC G01F 3/02; G01F 3/04; G01F 3/06; G01F
3/065; G01F 3/08; G01F 3/10; G01F
3/12; G01F 3/14; G01F 3/16; G01F 3/18;
G01F 3/20; G01F 3/22; G01F 3/221;
G01F 3/222; G01F 3/223; G01F 3/224;
G01F 3/225; G01F 3/226; G01F 3/227

See application file for complete search history.

(56) **References Cited**

U.S. PATENT DOCUMENTS

4,343,191 A * 8/1982 Cairenius G01F 1/056
73/255
8,166,828 B2 * 5/2012 Skirda G01F 3/10
73/861.08
8,544,345 B2 * 10/2013 Fuller G01F 1/72
73/861.77

* cited by examiner

Primary Examiner — Antoine D Davis

(74) *Attorney, Agent, or Firm* — Charles H Jew

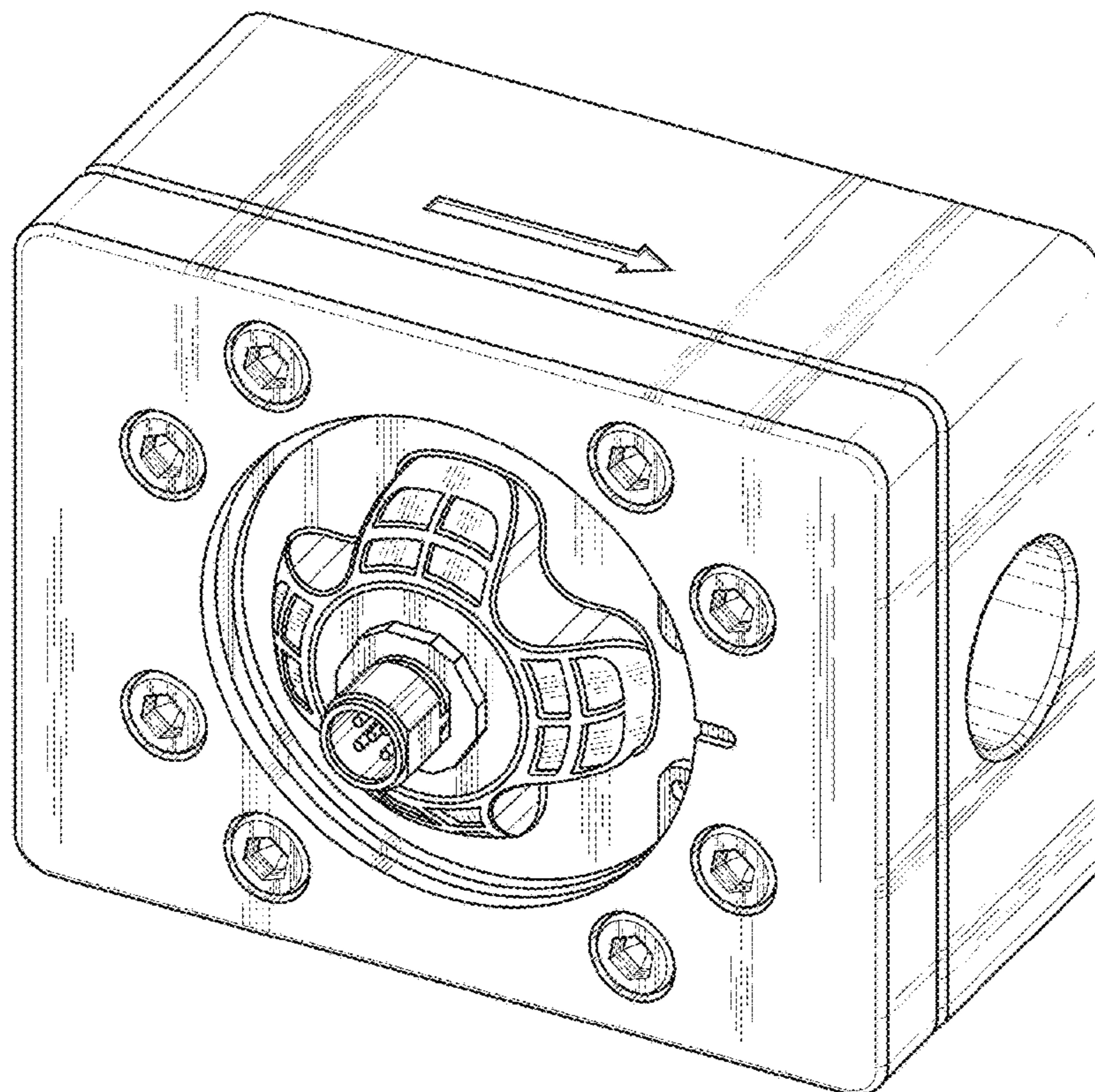
(57) **CLAIM**

The ornamental design for a displacement flow meter, as shown and described.

DESCRIPTION

FIG. 1 is a front perspective view of the displacement flow meter showing my design;
FIG. 2 is a front elevational view thereof;
FIG. 3 is a right side elevational view thereof;
FIG. 4 is a rear elevational view thereof;
FIG. 5 is a left side elevational view thereof;
FIG. 6 is a bottom plan view thereof;
FIG. 7 is a top plan view thereof; and,
FIG. 8 is a rear perspective view thereof.

1 Claim, 4 Drawing Sheets



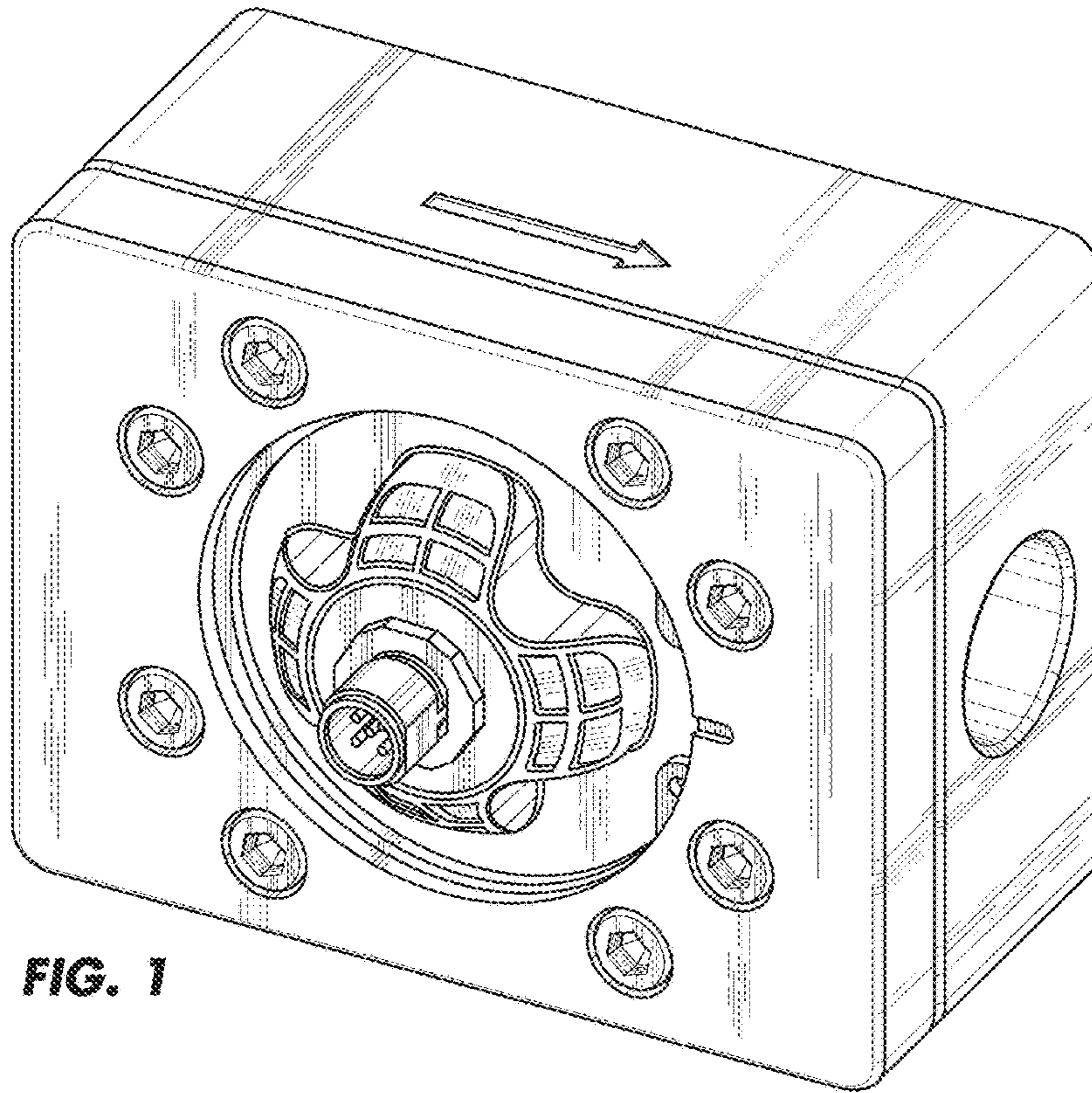


FIG. 1

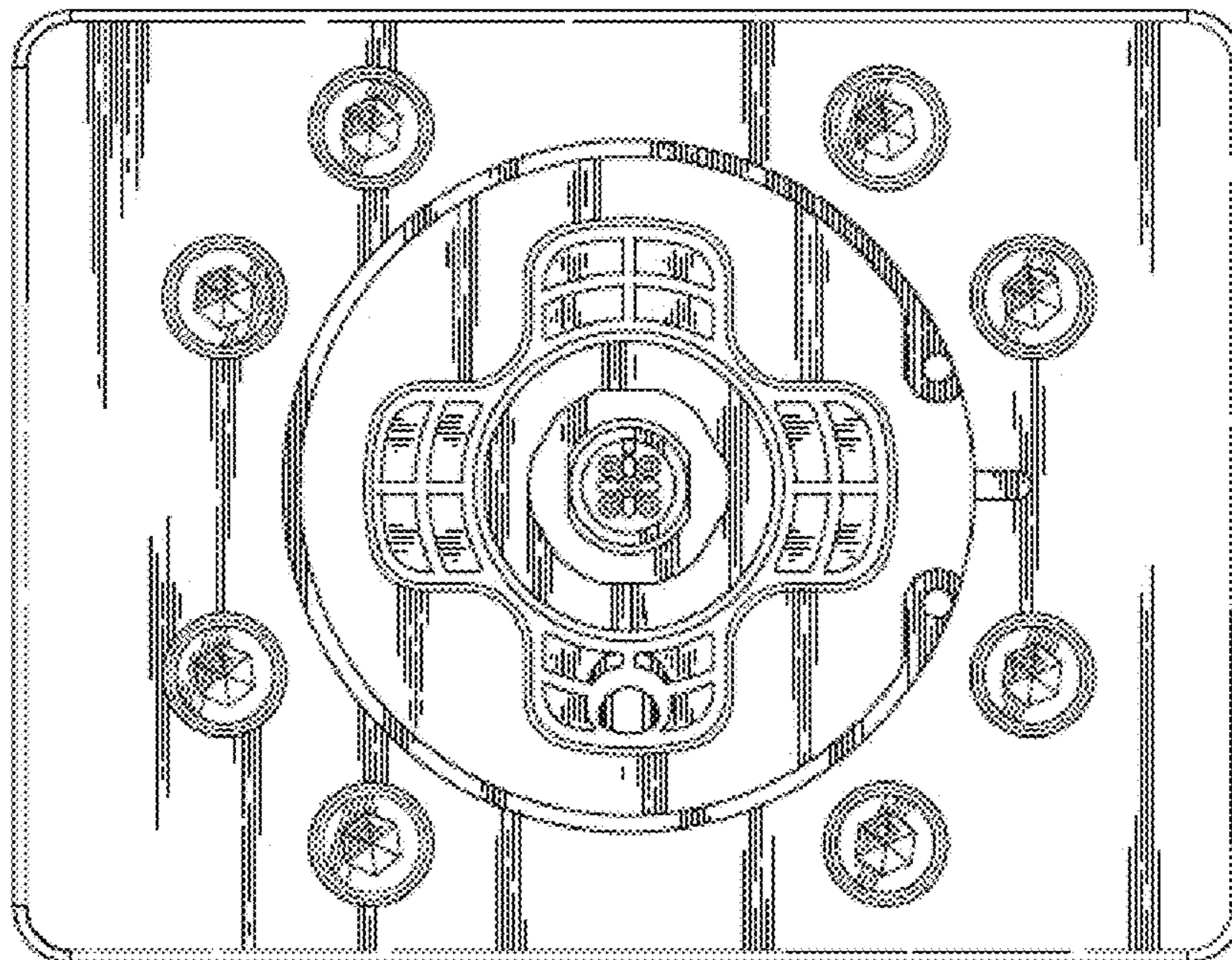


FIG. 2

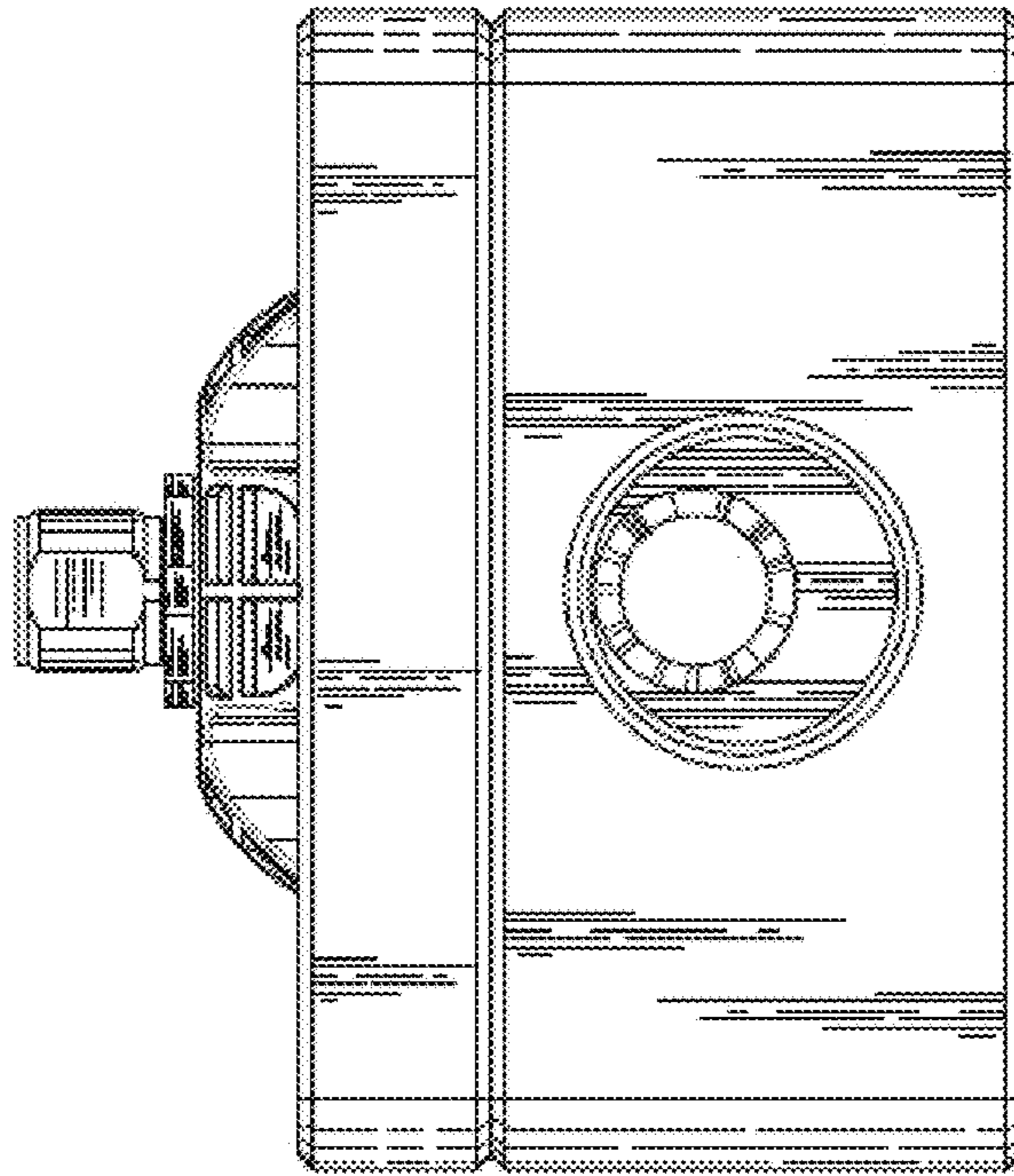


FIG. 3

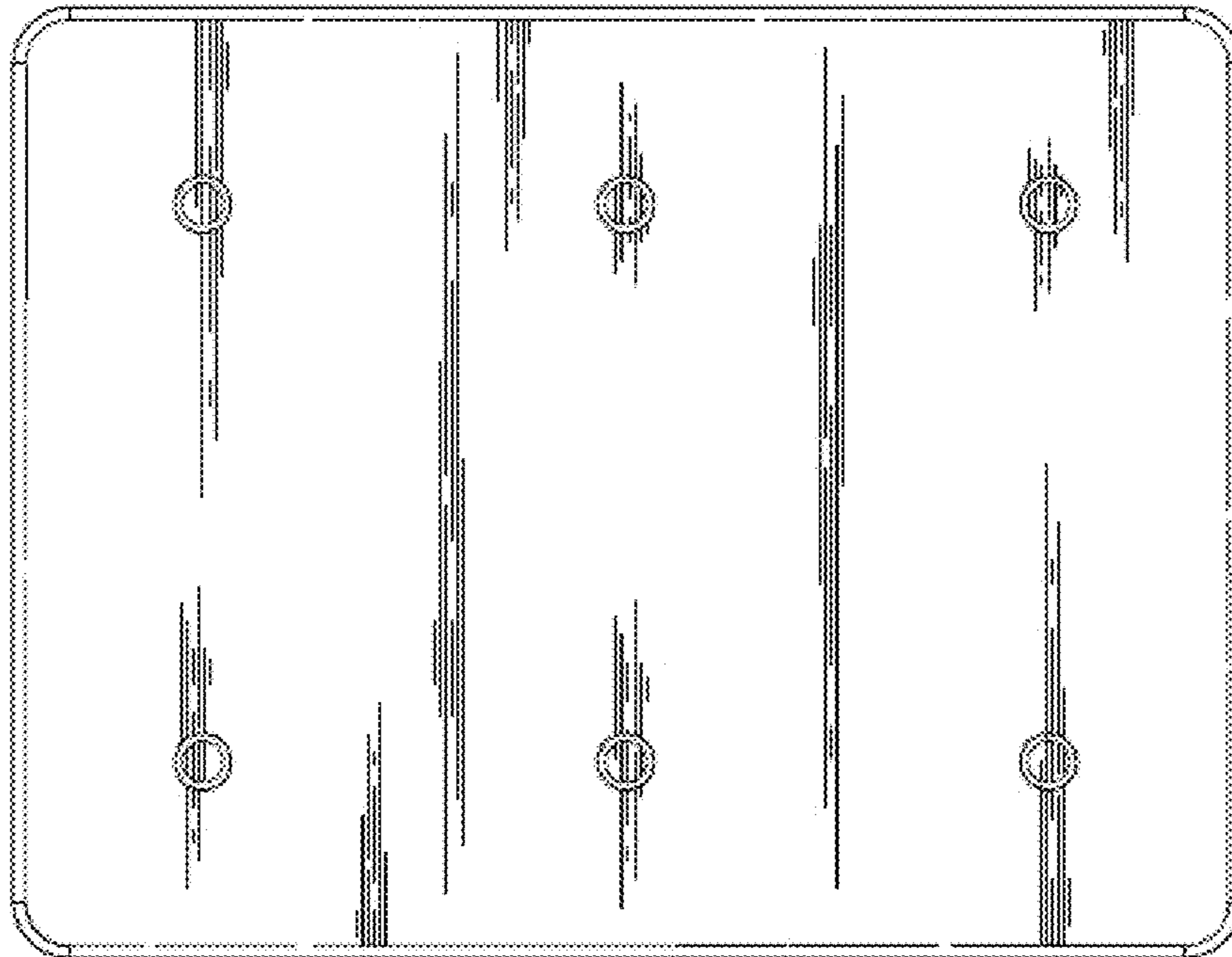


FIG. 4

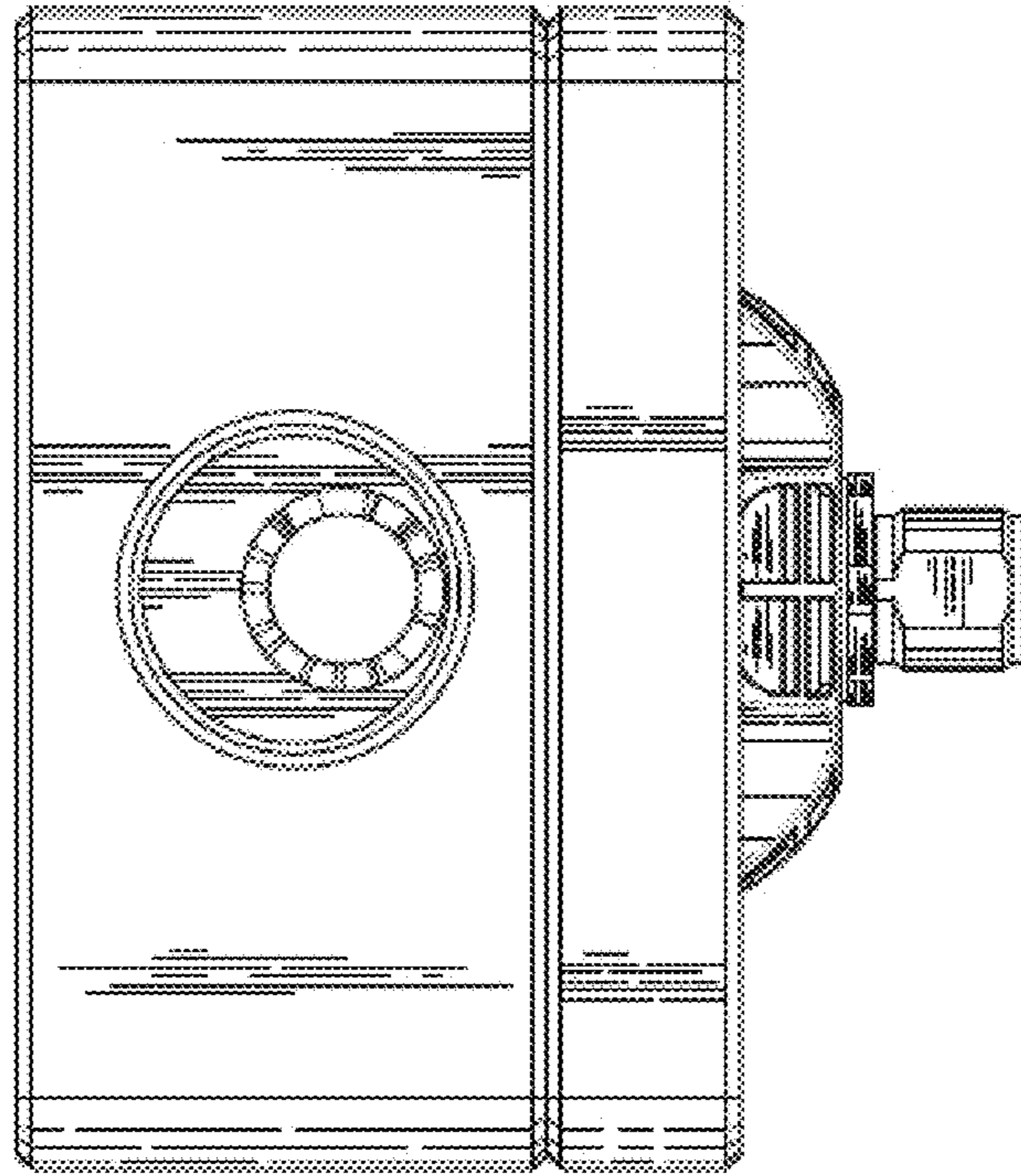


FIG. 5

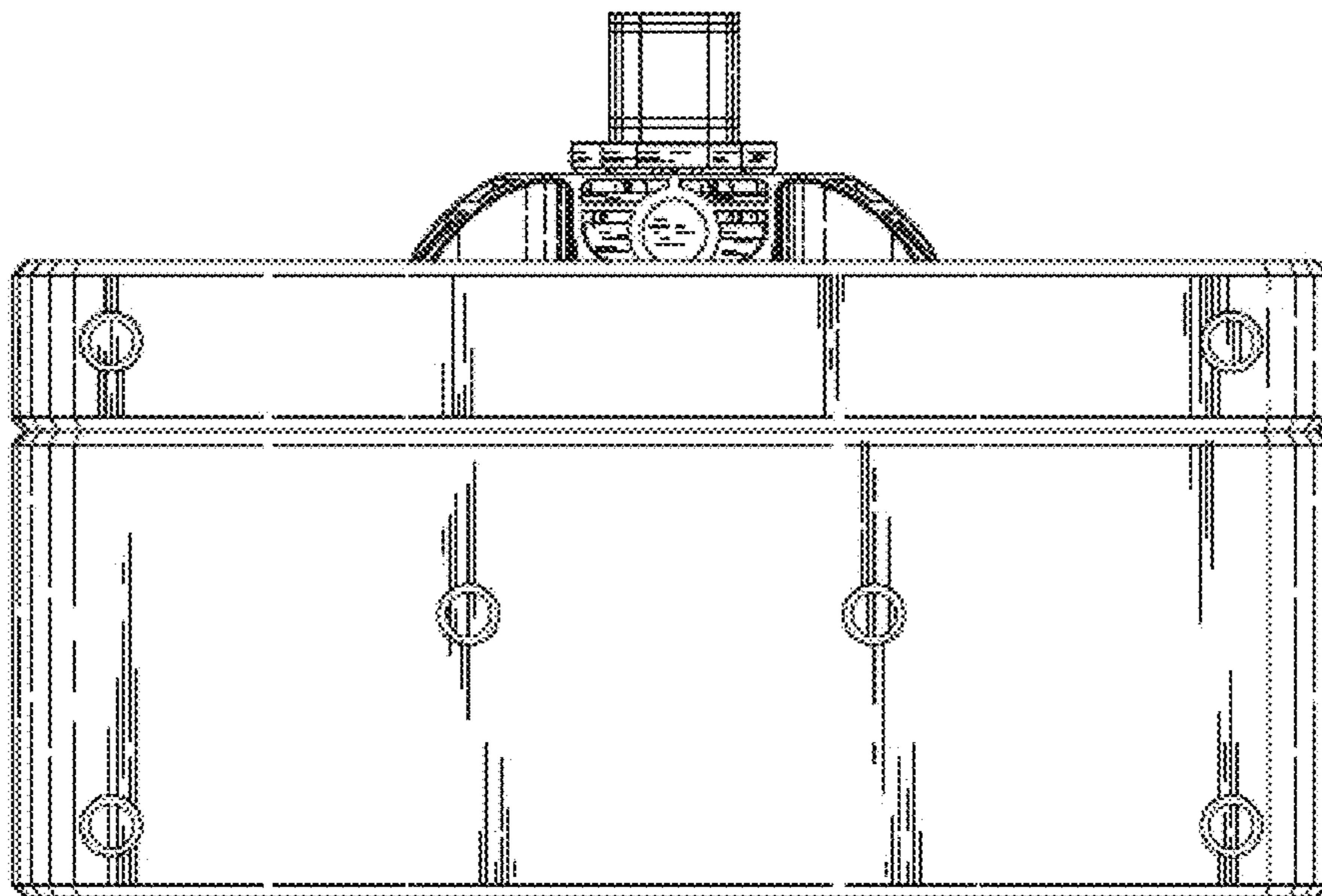


FIG. 6

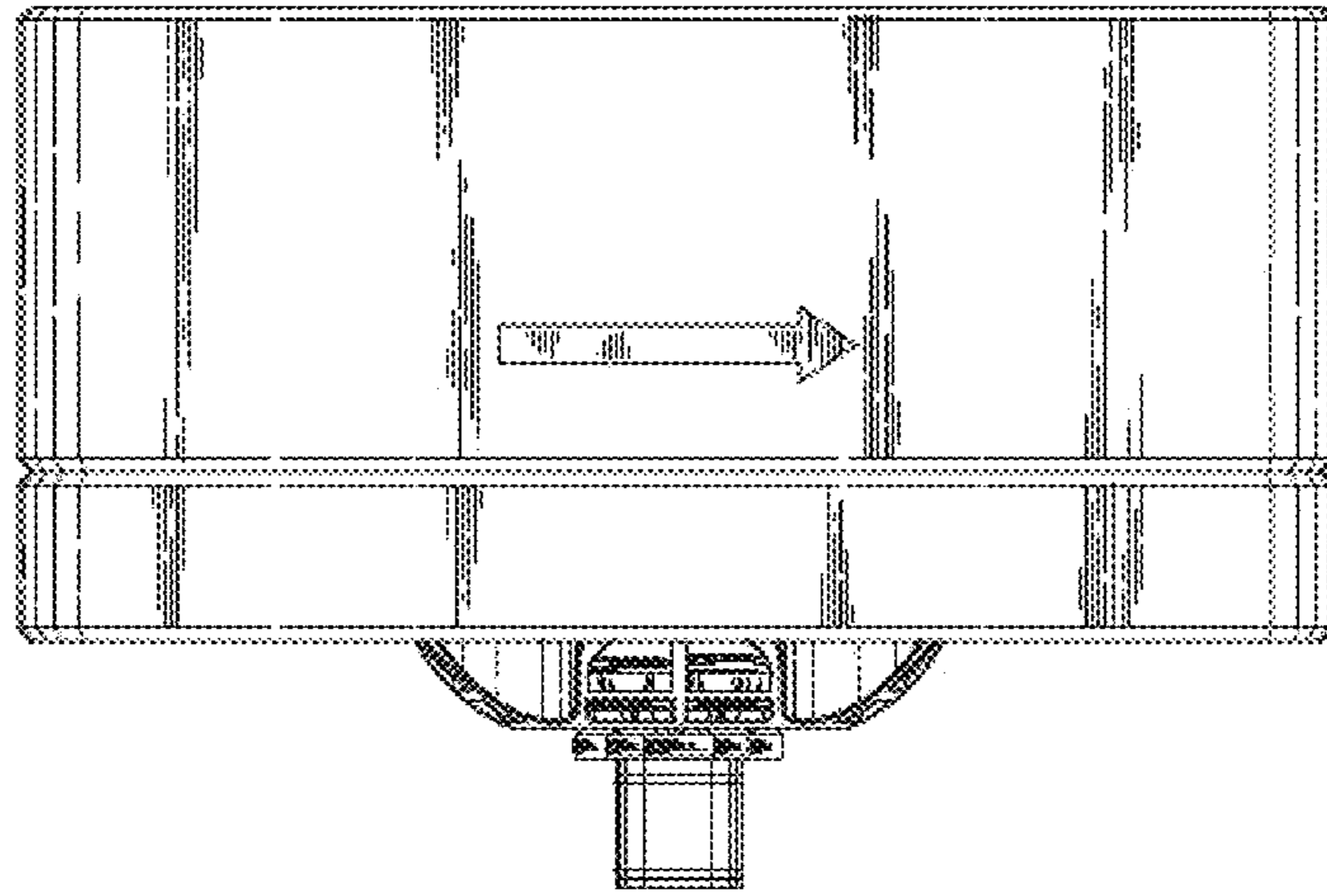


FIG. 7

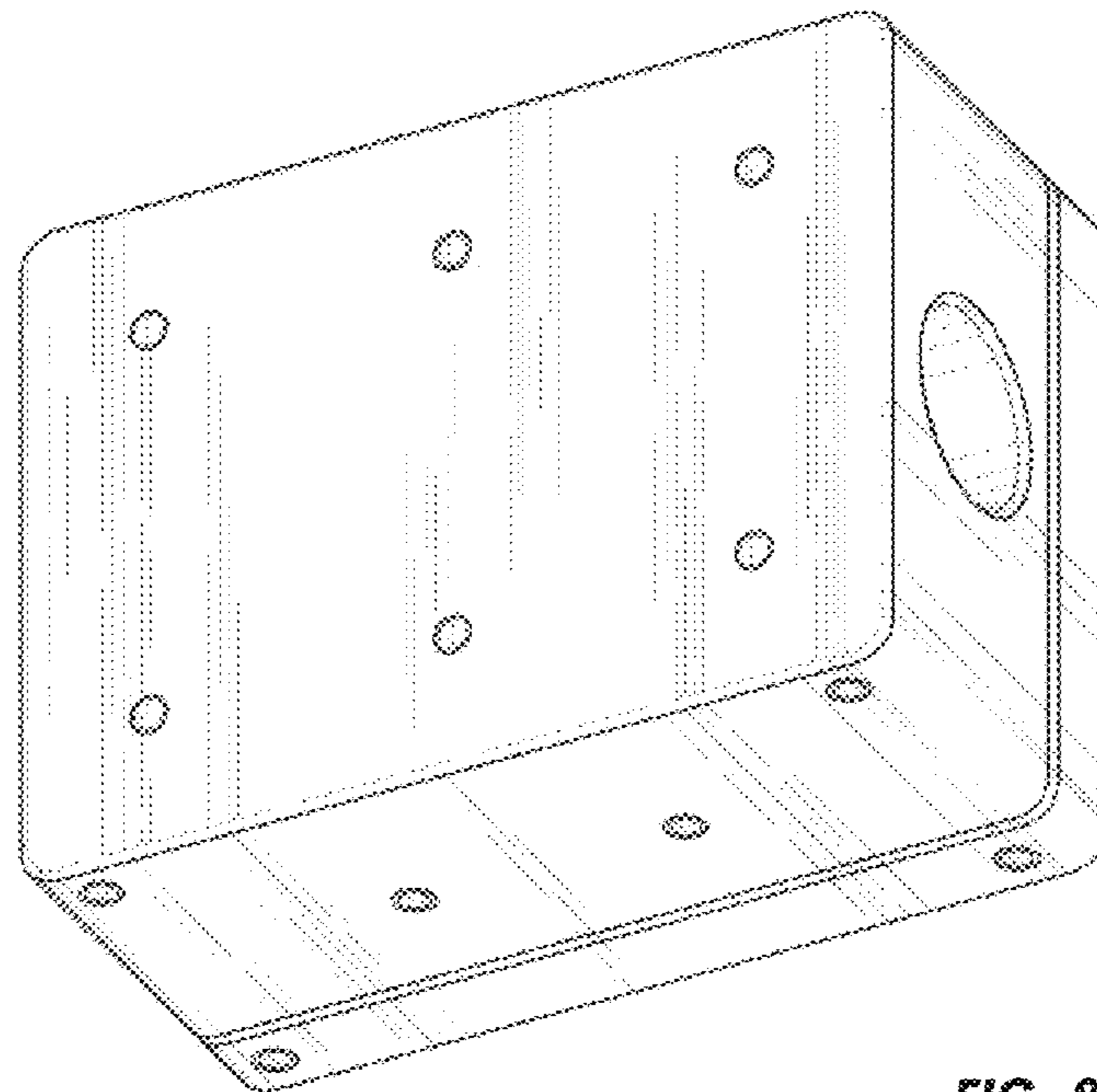


FIG. 8