



US00D789222S

(12) **United States Design Patent**  
**Hashimoto et al.**

(10) **Patent No.:** **US D789,222 S**  
(45) **Date of Patent:** **\*\* Jun. 13, 2017**

(54) **PROBE FOR PHOTOACOUSTIC MEASUREMENT DEVICE**

8/4461; A61B 8/4466; A61B 8/4472;  
G01N 2201/067; G01N 21/1702

See application file for complete search history.

(71) Applicant: **FUJIFILM Corporation**, Tokyo (JP)

(56)

**References Cited**

(72) Inventors: **Atsushi Hashimoto**, Kanagawa-ken (JP); **Kaku Irisawa**, Kanagawa-ken (JP)

U.S. PATENT DOCUMENTS

D381,921 S 8/1997 Siemon  
D703,819 S 4/2014 Moon  
D704,341 S 5/2014 Ryu  
D710,511 S 8/2014 Bartlett  
9,427,209 B2 \* 8/2016 Okuda ..... A61B 8/4444

(Continued)

(73) Assignee: **FUJIFILM Corporation**, Tokyo (JP)

(\*\*) Term: **15 Years**

FOREIGN PATENT DOCUMENTS

(21) Appl. No.: **29/561,288**

JP 2013-048892 A 3/2013  
JP 2014-039801 A 3/2014

(Continued)

(22) Filed: **Apr. 14, 2016**

**Related U.S. Application Data**

OTHER PUBLICATIONS

(62) Division of application No. 29/513,919, filed on Jan. 6, 2015, now Pat. No. Des. 756,818.

Notice of Allowance dated Jan. 19, 2016 in Design U.S. Appl. No. 29/513,919.

(30) **Foreign Application Priority Data**

*Primary Examiner* — Antoine D Davis

Jul. 10, 2014 (JP) ..... 2014-015081  
Jul. 10, 2014 (JP) ..... 2014-015082  
Jul. 10, 2014 (JP) ..... 2014-015083  
Jul. 10, 2014 (JP) ..... 2014-015084  
Jul. 10, 2014 (JP) ..... 2014-015085

(74) *Attorney, Agent, or Firm* — McGinn IP Law Group, PLLC

(57)

**CLAIM**

The ornamental design for a probe for photoacoustic measurement device, as shown and described.

(51) **LOC (10) Cl.** ..... **10-04**

(52) **U.S. Cl.**

USPC ..... **D10/78**; D24/187

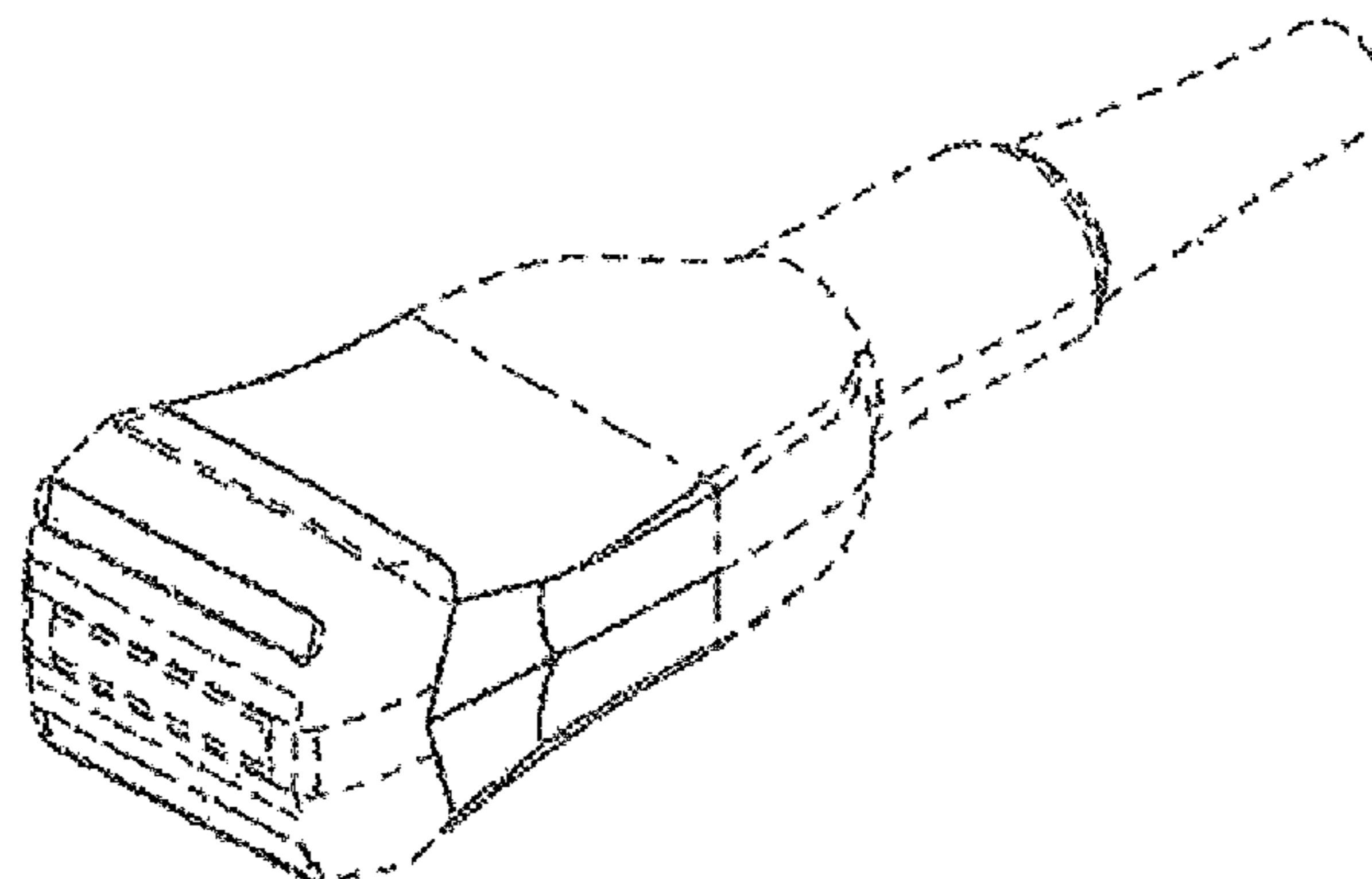
**DESCRIPTION**

(58) **Field of Classification Search**

USPC ..... D10/78, 80; D13/133, 146, 147;  
D24/133, 138, 140, 158, 186, 187  
CPC ... A61B 5/0059; A61B 5/0093; A61B 5/0095;  
A61B 5/0097; A61B 8/44; A61B 8/4444;  
A61B 8/445; A61B 8/4455; A61B

FIG. 1 is a top, front, right perspective view of a probe for photoacoustic measurement device showing our new design; FIG. 2 is a front view thereof; FIG. 3 is a rear view thereof; FIG. 4 is a right side view thereof; and, FIG. 5 is a top view thereof.

(Continued)



The broken lines showing the remainder of the probe for photoacoustic measurement device are for environmental purposes only and form no part of the claimed design.

**1 Claim, 1 Drawing Sheet**

(56) **References Cited**

U.S. PATENT DOCUMENTS

9,445,785	B2 *	9/2016	Clingman	.....	A61B 8/46
2011/0125025	A1	5/2011	Hart		
2011/0224553	A1	9/2011	Stothers		
2013/0258803	A1	10/2013	Nakamura		
2014/0058270	A1	2/2014	Dauidsen		
2014/0200445	A1	7/2014	Boezaart		
2014/0221841	A1	8/2014	Okuda		
2015/0045673	A1	2/2015	Kim		
2015/0157295	A1	6/2015	Liu		
2015/0245823	A1	9/2015	Jin		
2015/0297090	A1	10/2015	Herzog		

FOREIGN PATENT DOCUMENTS

JP	2014-068751	A	4/2014
WO	WO 2014/017044	A1	1/2014
WO	WO 2014/050436	A1	4/2014

\* cited by examiner

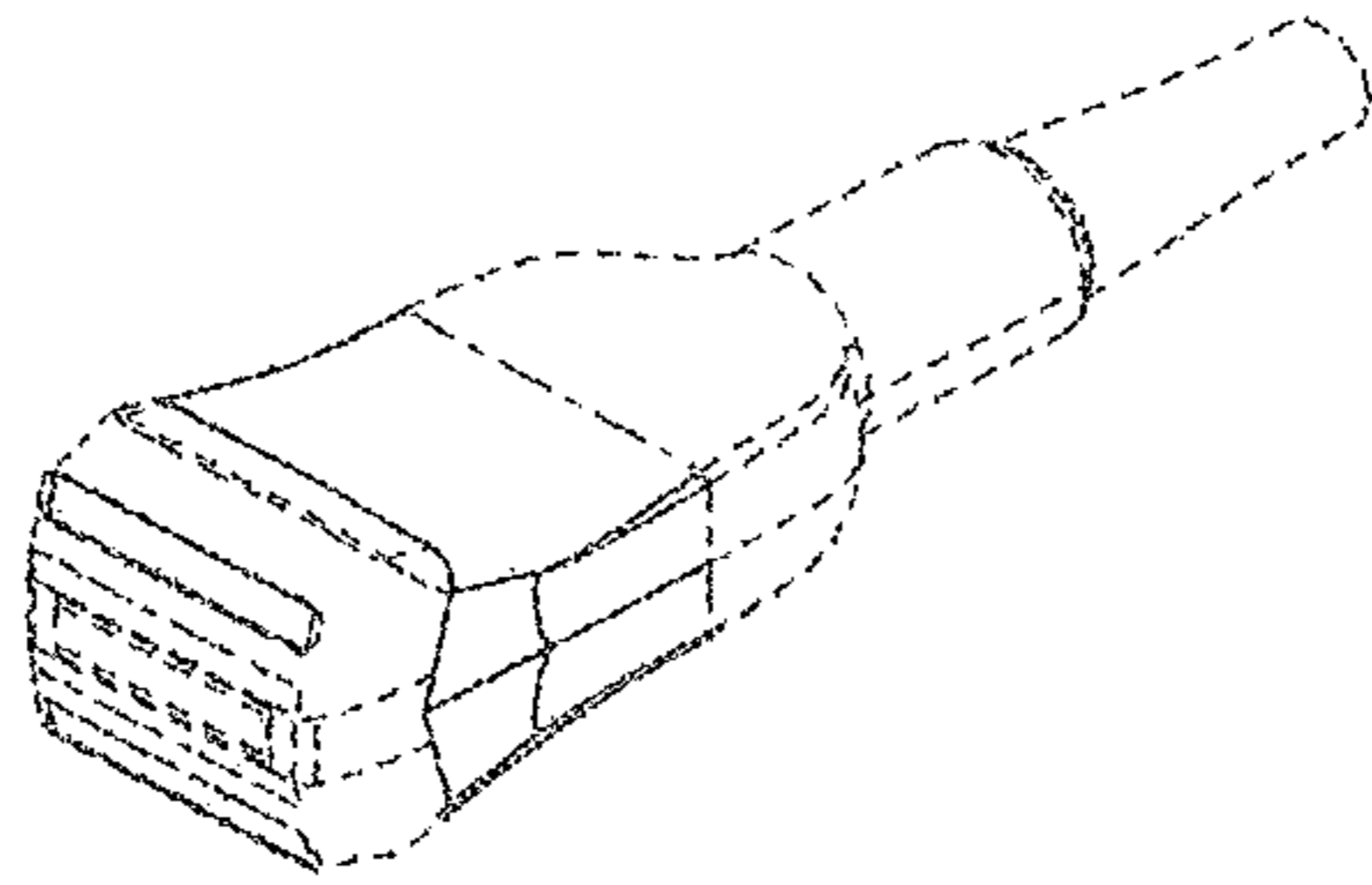


FIG. 1

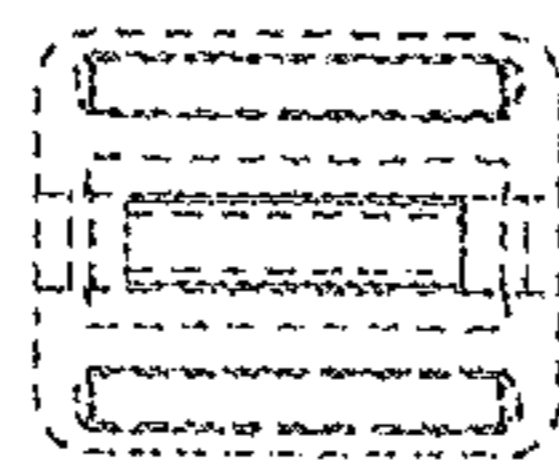


FIG. 2

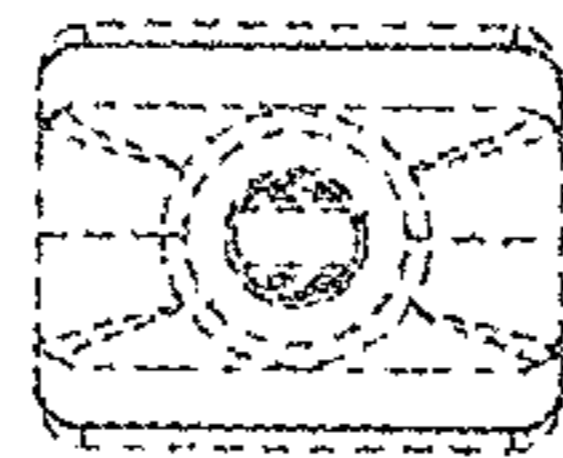


FIG. 3

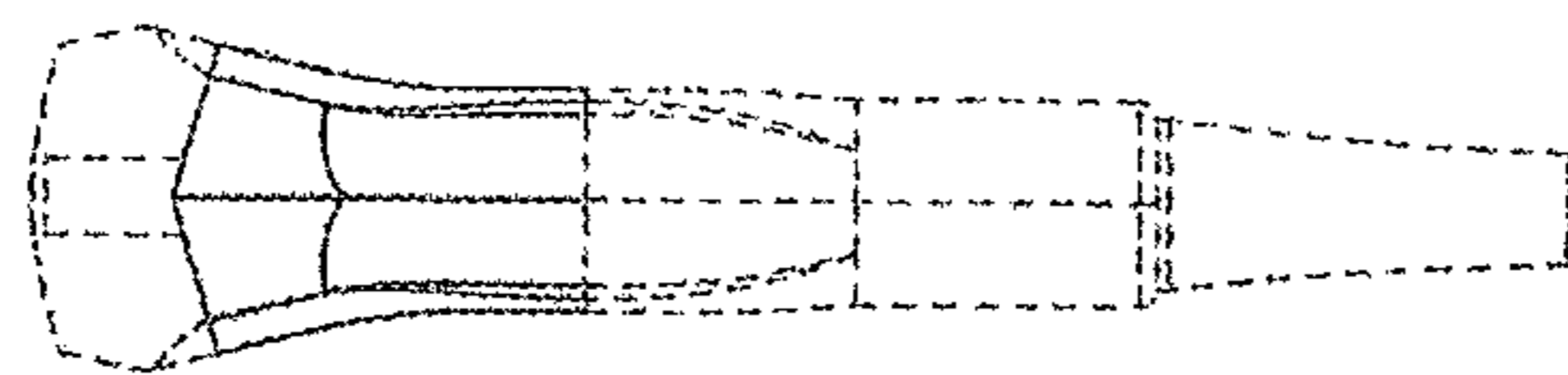


FIG. 4

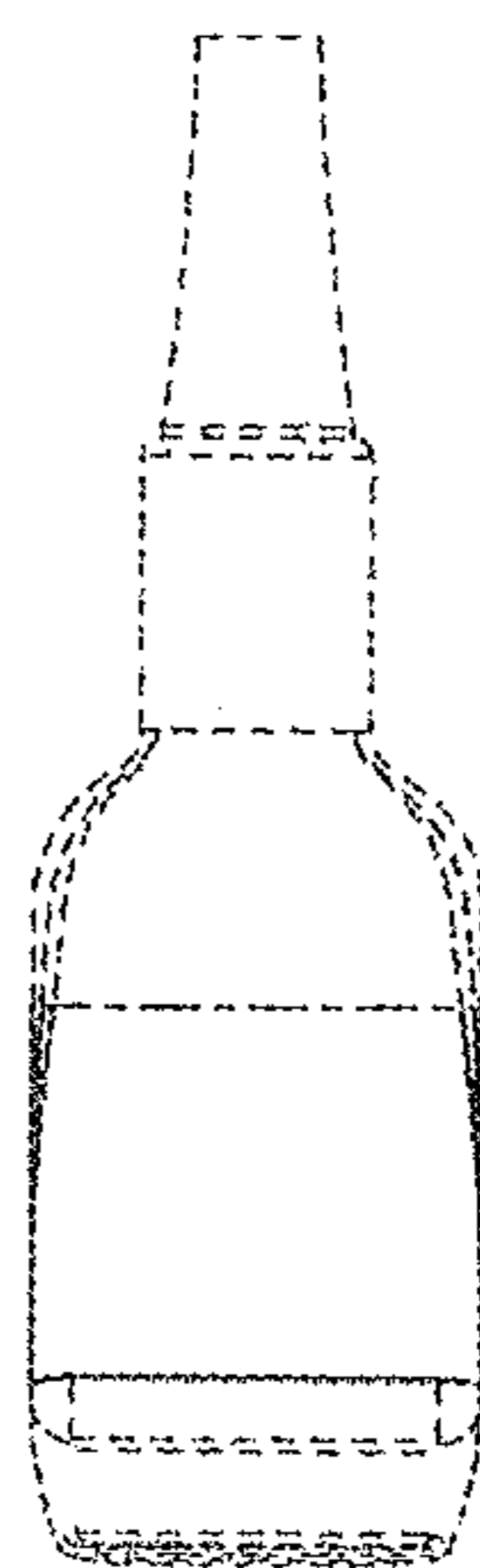


FIG. 5