



US00D789219S

(12) **United States Design Patent**
Ferraris et al.

(10) **Patent No.:** **US D789,219 S**

(45) **Date of Patent:** **** Jun. 13, 2017**

(54) **WATCH**

(71) Applicant: **Origin Wireless (Pty) Ltd,**
Johannesburg (ZA)

(72) Inventors: **Steven Patrick Ferraris,** Johannesburg
(ZA); **Ivor Malcolm Kruger,** Pretoria
(ZA); **Pieter Dreyer,** Edenvale (ZA);
David Paul Stievenart, Johannesburg
(ZA)

(73) Assignee: **ORIGIN WIRELESS (PTY) LTD,**
Johannesburg (ZA)

(**) Term: **15 Years**

(21) Appl. No.: **29/536,559**

(22) Filed: **Aug. 18, 2015**

(30) **Foreign Application Priority Data**

Feb. 18, 2015 (ZA) A2015/00204

(51) **LOC (10) Cl.** **10-02**

(52) **U.S. Cl.**
USPC **D10/32**

(58) **Field of Classification Search**
USPC D10/132, 98; D14/344, 138 R; 368/294;
D24/167, 186
CPC G04B 19/00; G04B 19/06; G04B 39/00;
G04B 39/002; G04B 39/004; G04B
39/006; G04F 7/06; A01G 25/165; B05B
12/02

See application file for complete search history.

(56) **References Cited**

U.S. PATENT DOCUMENTS

D656,615 S * 3/2012 Tzeng D11/26
D667,126 S * 9/2012 Cho D24/186
D719,123 S * 12/2014 Park D10/38

D727,316 S * 4/2015 Song D10/32
D729,651 S * 5/2015 Nuovo D10/32
D733,706 S * 7/2015 Song D10/32
D737,157 S * 8/2015 Akana D10/32
D737,159 S * 8/2015 Akana D10/32
D738,372 S * 9/2015 Song D10/32
D743,820 S * 11/2015 Song D10/30
D744,356 S * 12/2015 Akana D10/70
D745,421 S * 12/2015 Akana D10/32
D746,707 S * 1/2016 Akana D10/39
D750,623 S * 3/2016 Park D10/38
D751,070 S * 3/2016 Akana D14/344
D752,582 S * 3/2016 Jung D14/138 R
D754,127 S * 4/2016 Jung D14/344
D756,824 S * 5/2016 Akana D10/103
D756,825 S * 5/2016 Akana D10/103
D757,547 S * 5/2016 Biswas D9/454
D757,574 S * 5/2016 Song D10/32
D763,719 S * 8/2016 Nielsen D11/3
D765,072 S * 8/2016 Kwon D10/38
D767,769 S * 9/2016 Suvilaakso D24/186
D775,126 S * 12/2016 Montero Odasso D10/38
D777,590 S * 1/2017 Nielsen D10/39

* cited by examiner

Primary Examiner — Sandra Snapp

(74) *Attorney, Agent, or Firm* — Haugen Law Firm PLLP

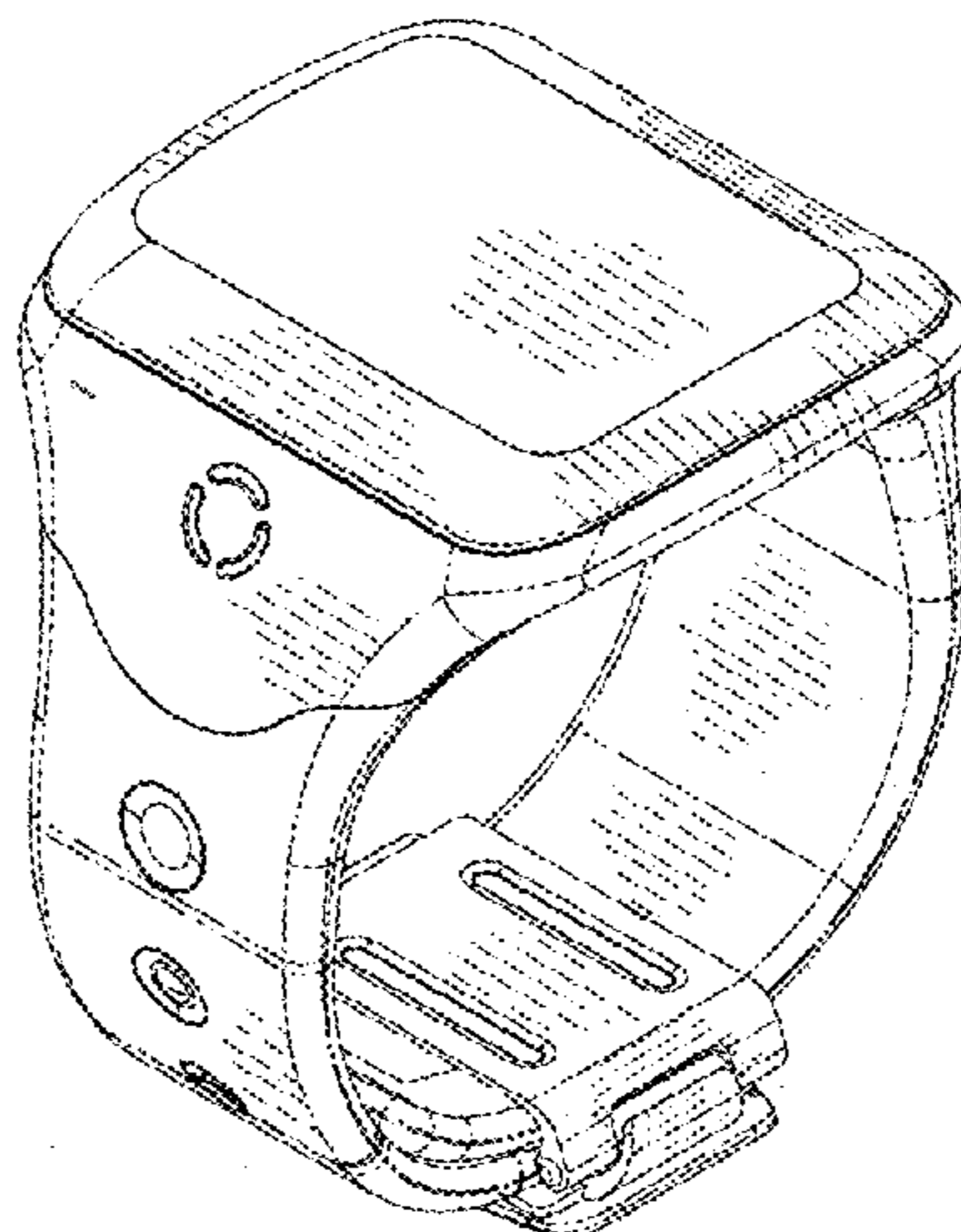
(57) **CLAIM**

The ornamental design for a watch, as shown and described.

DESCRIPTION

FIG. 1 is a front top perspective view of the watch;
FIG. 2 is a rear top perspective view of the tank;
FIG. 3 is a front bottom perspective view of the watch;
FIG. 4 is a rear bottom perspective view of the watch;
FIG. 5 is a front elevational view of the watch;
FIG. 6 is a rear elevational view of the watch;
FIG. 7 is a left side elevational view of the watch;
FIG. 8 is a right side elevational view of the watch;
FIG. 9 is a top plan view of the watch; and,
FIG. 10 is a bottom plan view of the watch.

1 Claim, 5 Drawing Sheets



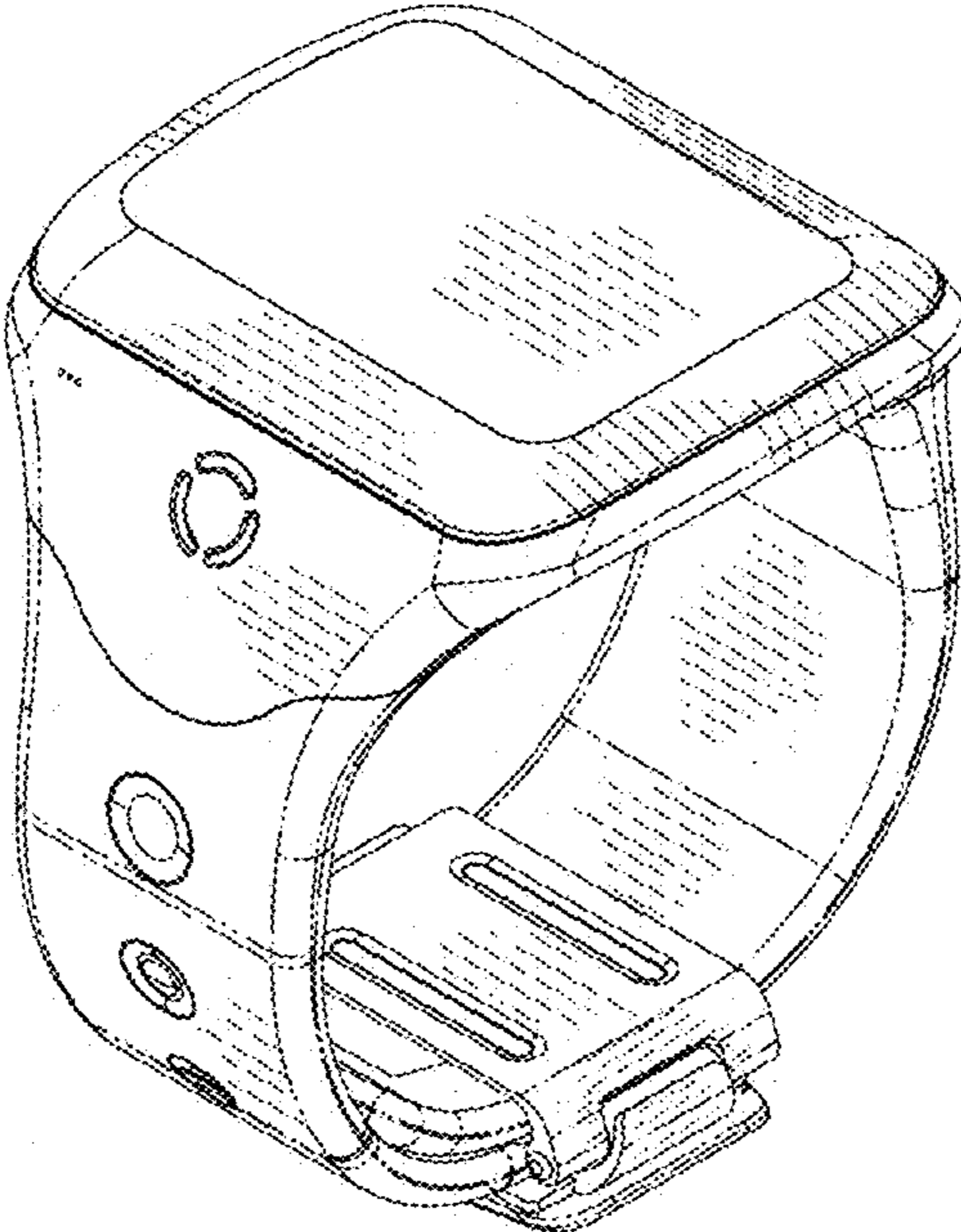


FIG. 1

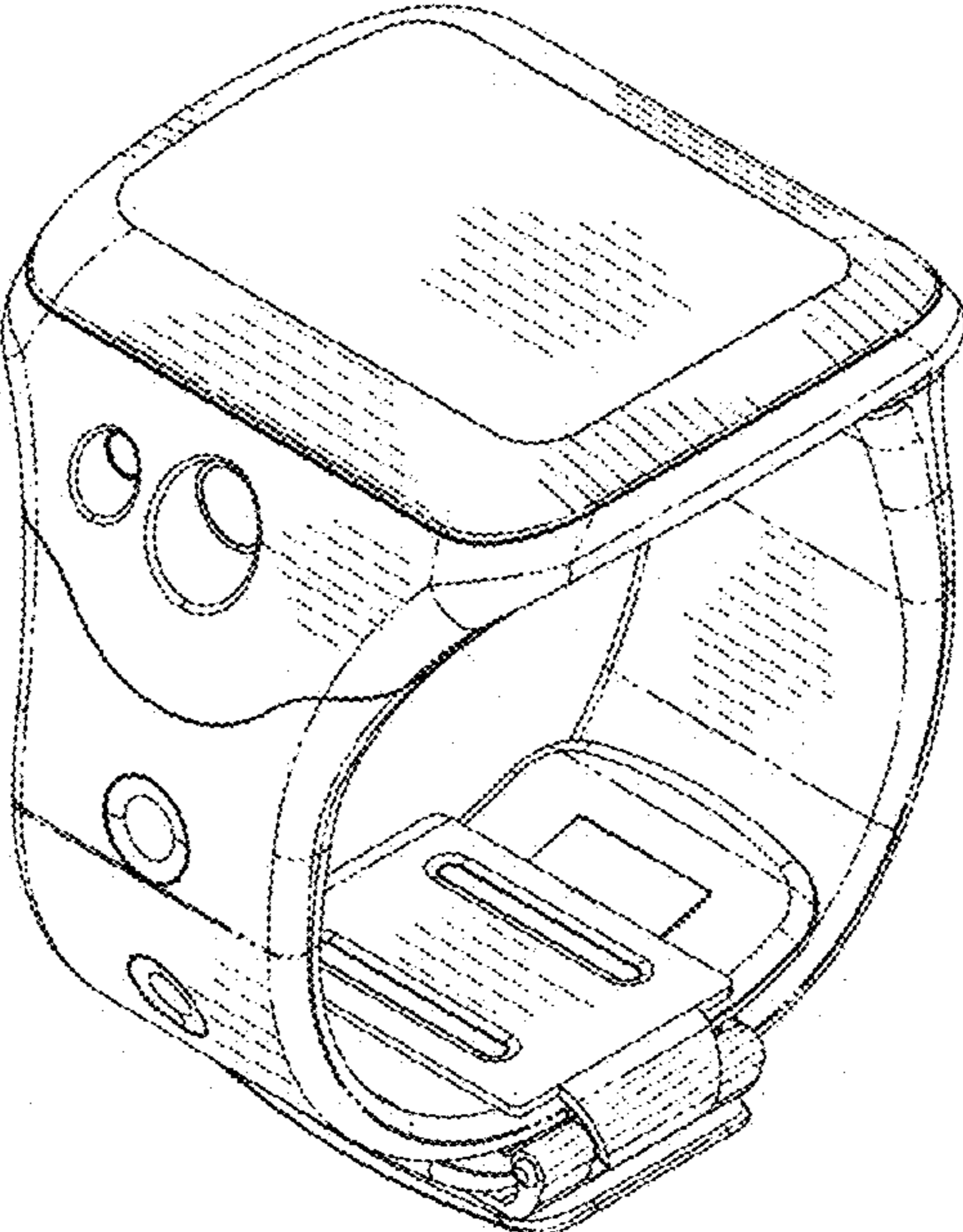


FIG. 2

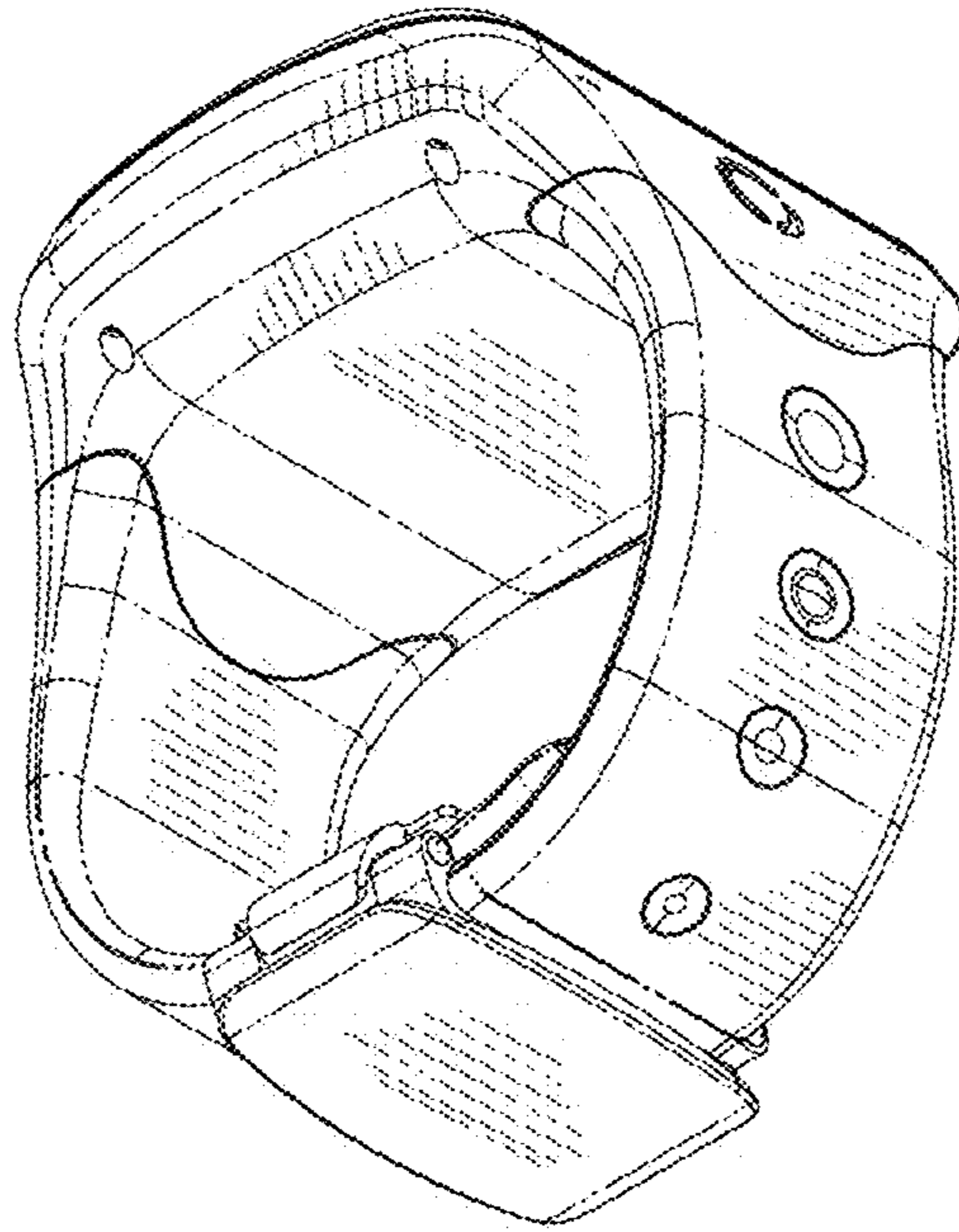


FIG. 3

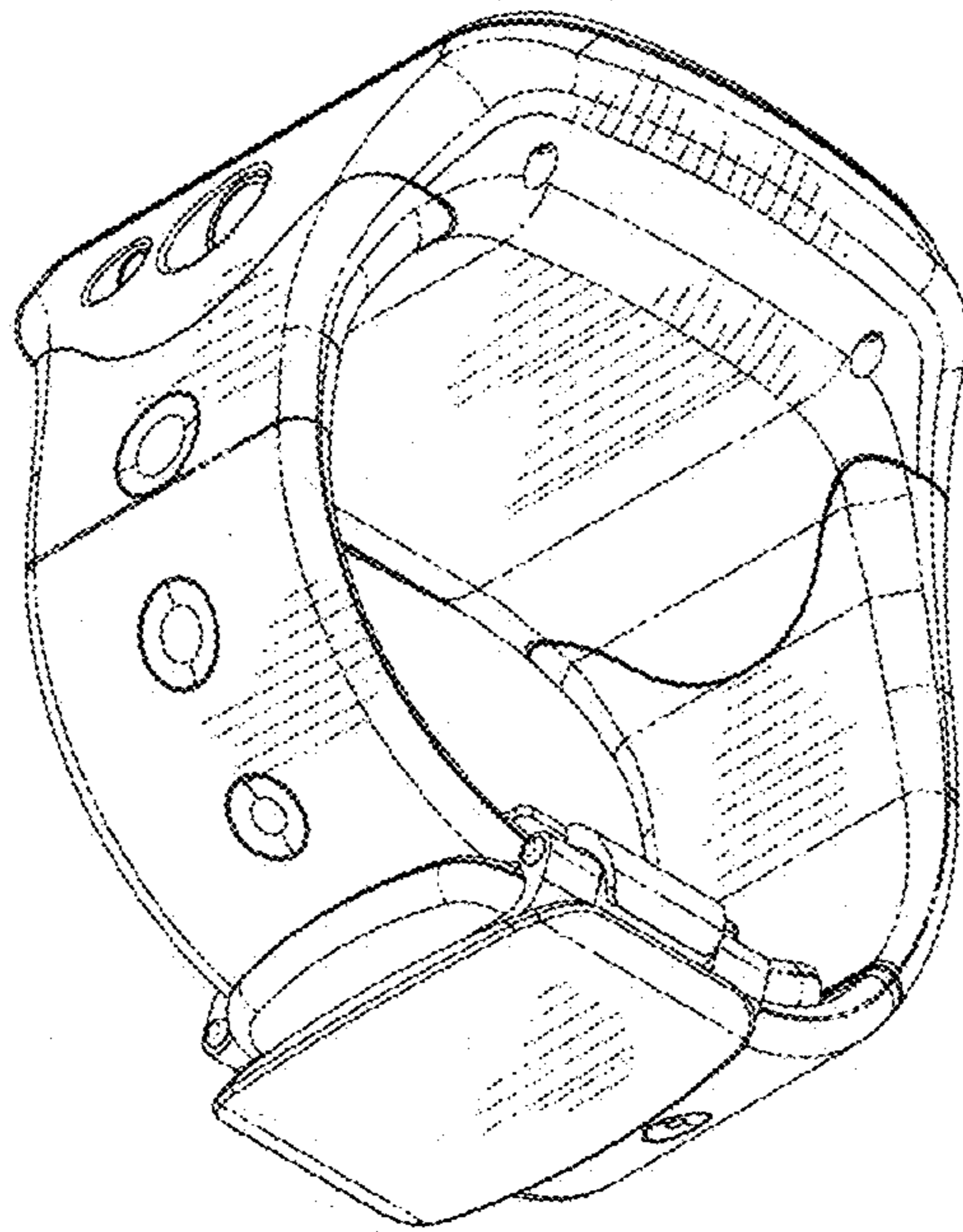


FIG. 4

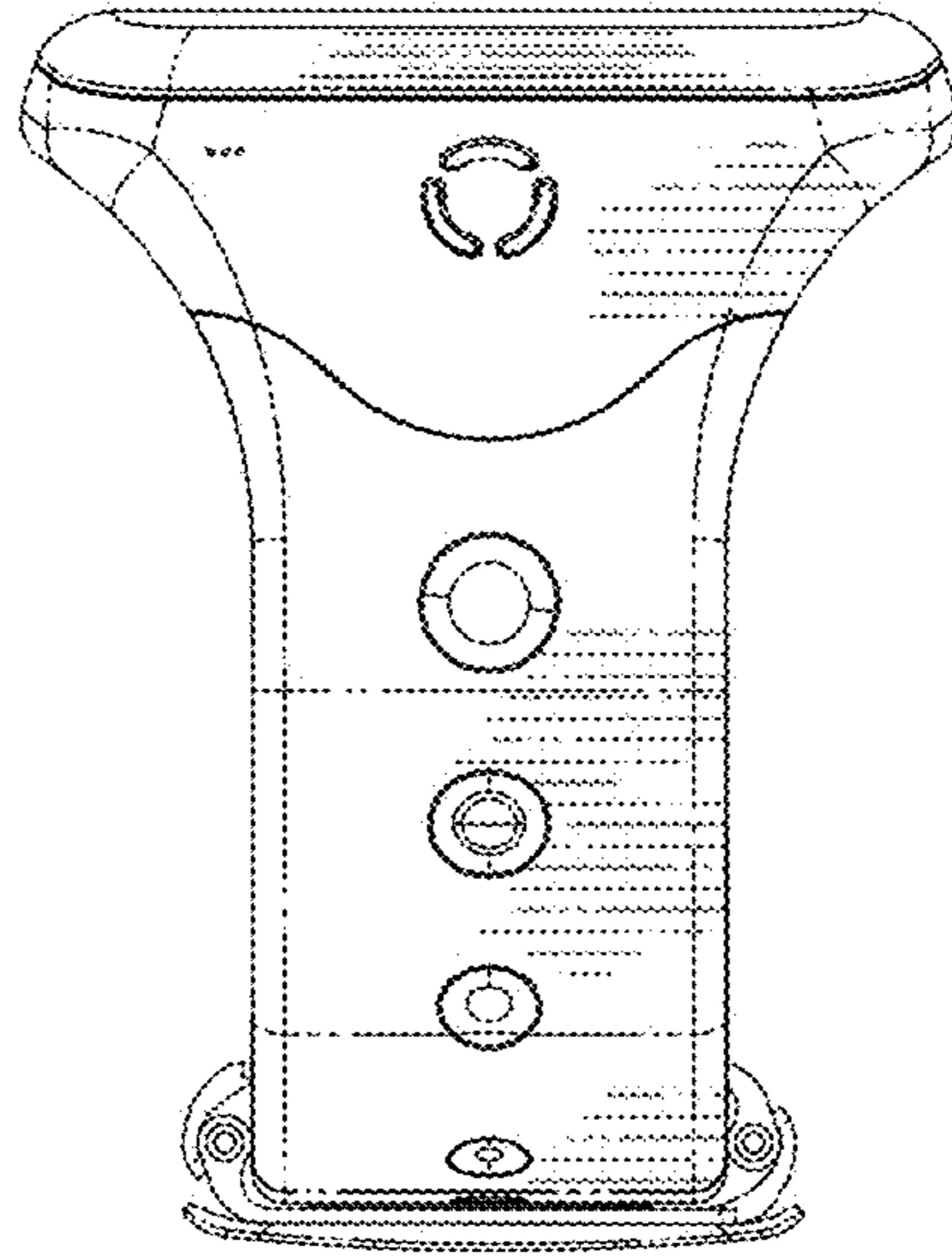


FIG. 5

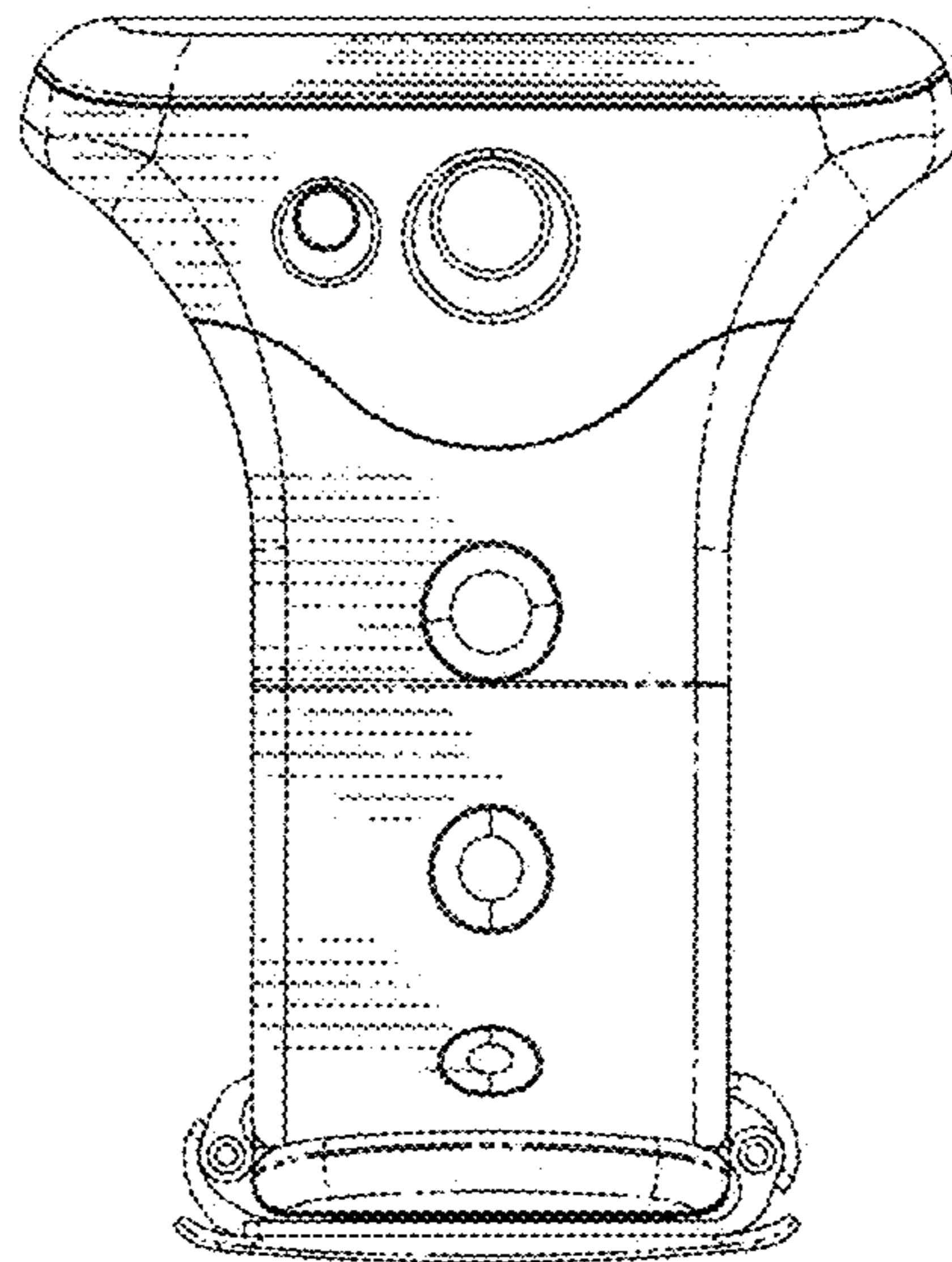


FIG. 6

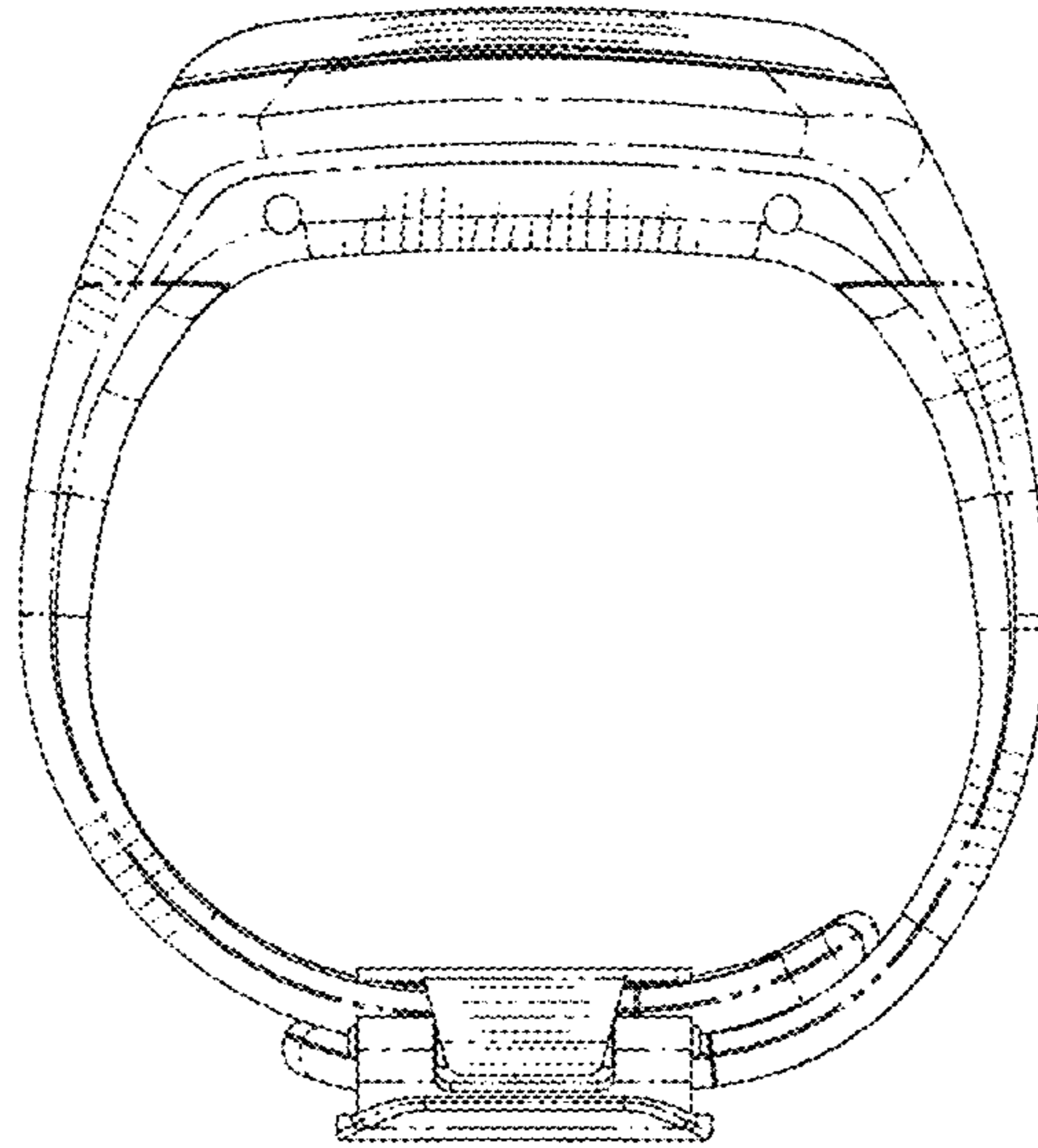


FIG. 7

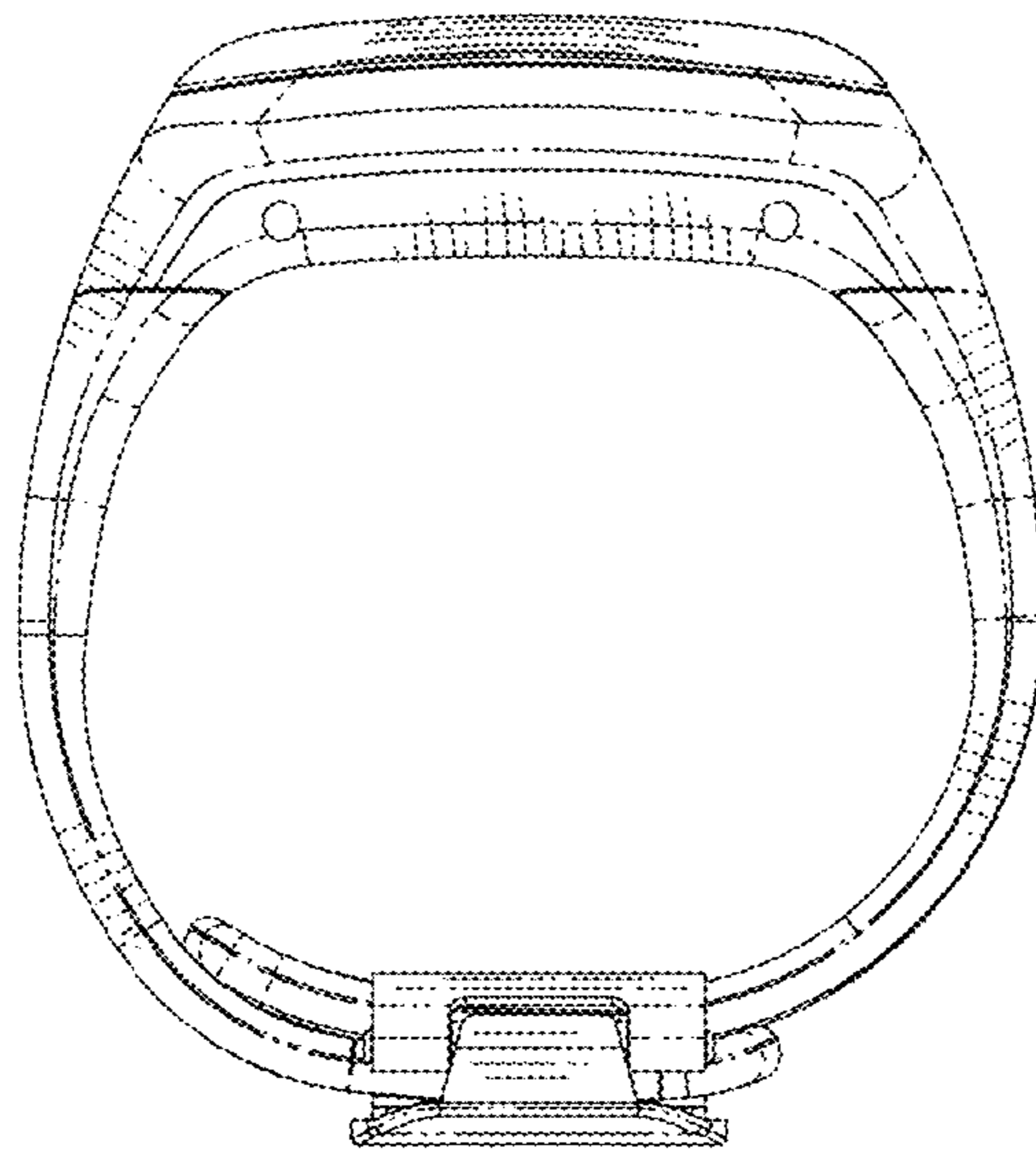


FIG. 8

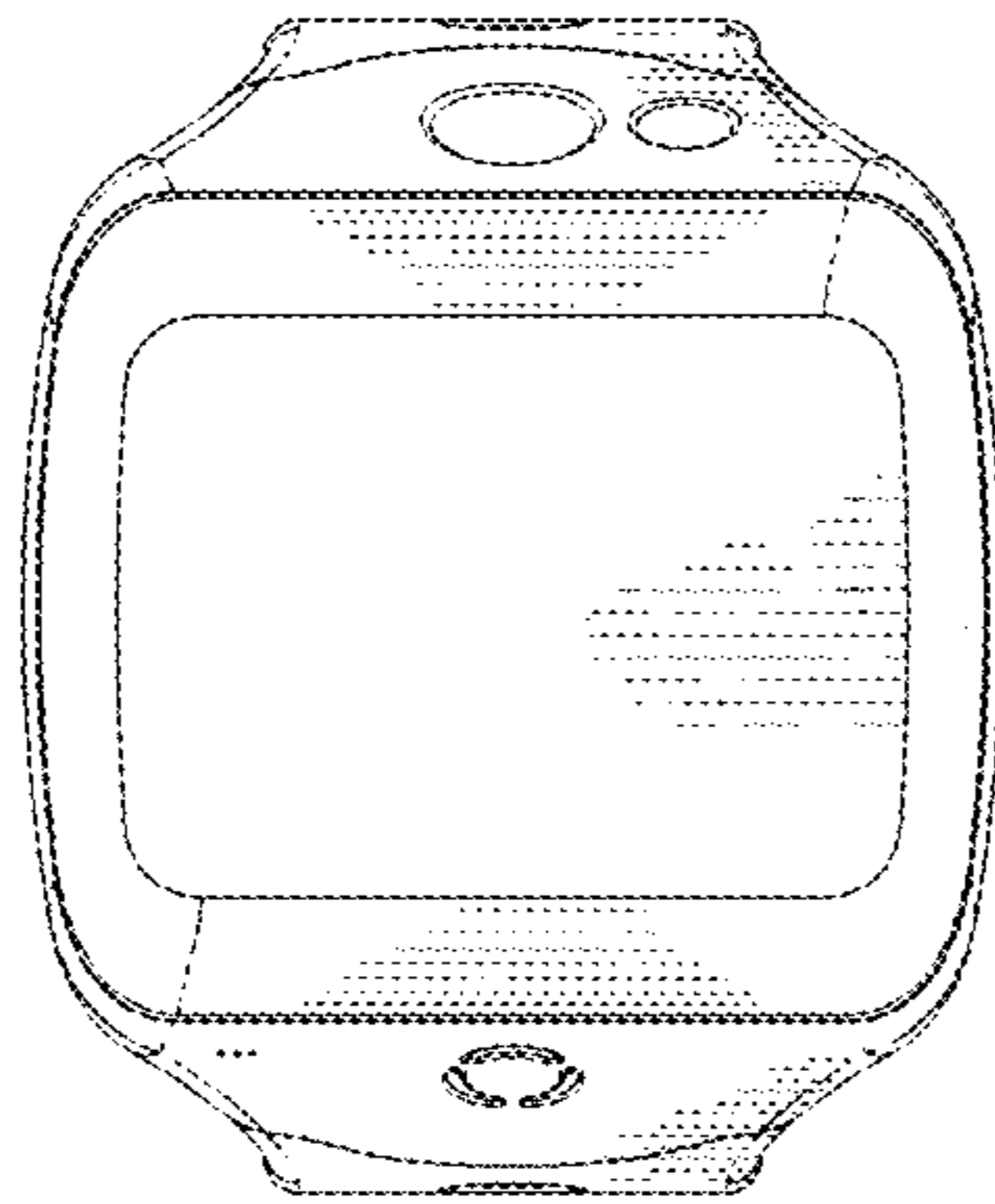


FIG. 9

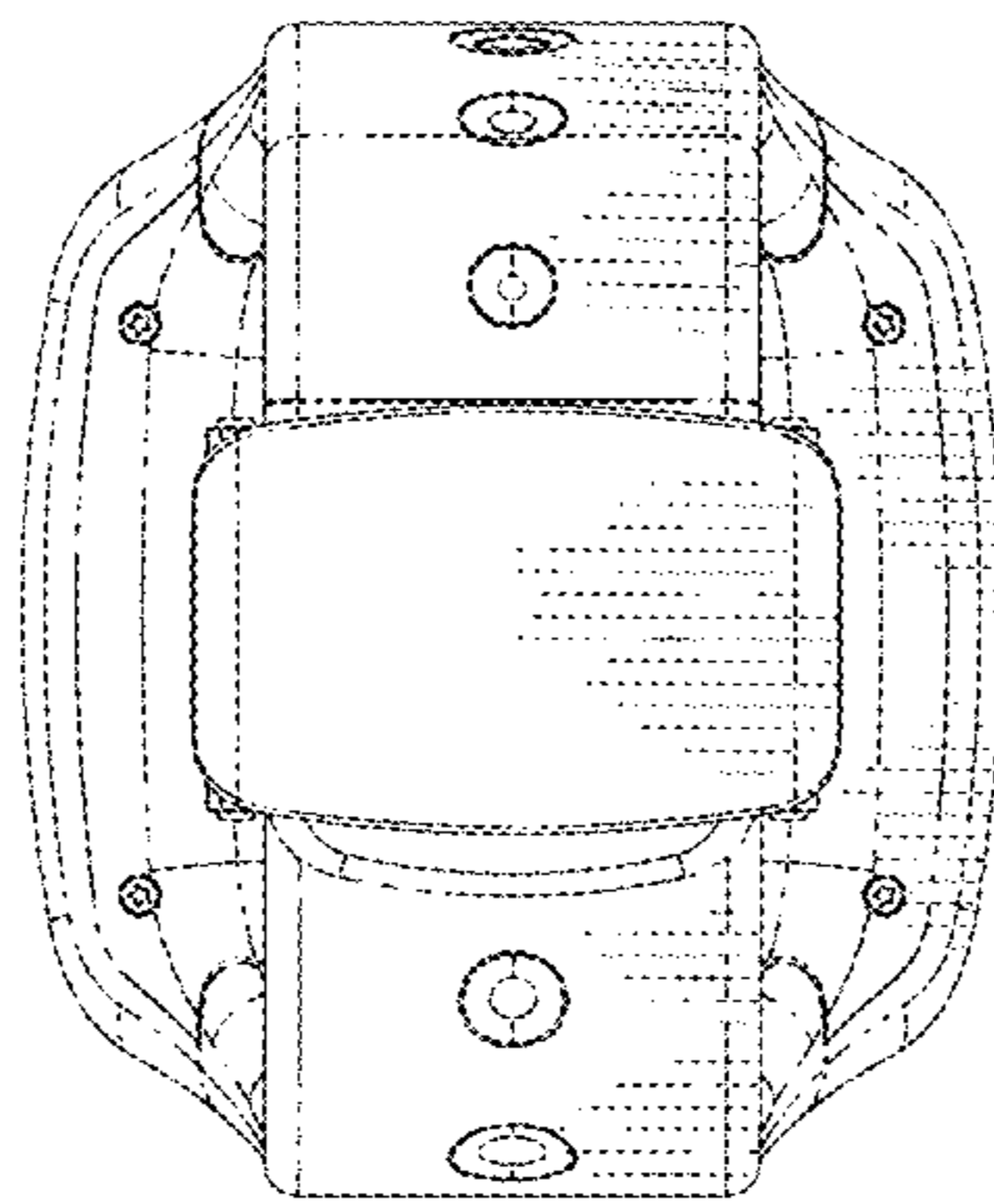


FIG. 10