



US00D789216S

(12) **United States Design Patent** (10) **Patent No.:** **US D789,216 S**  
**Huber** (45) **Date of Patent:** **\*\* Jun. 13, 2017**

(54) **SQUEEZABLE REFILLABLE FOOD CONTAINER**

(56) **References Cited**

U.S. PATENT DOCUMENTS

(71) Applicant: **Sage Bears, LLC**, Garden City, NY (US)

D604,636 S *	11/2009	McMorris	.....	D9/708
D609,112 S *	2/2010	Koyanagi	.....	D9/708
D645,762 S *	9/2011	Hong	.....	D9/710
D667,313 S *	9/2012	Hensen	.....	D9/708
D686,088 S *	7/2013	Murray	.....	D9/708
D707,134 S *	6/2014	Simpson	.....	D9/709
D709,383 S *	7/2014	Murray	.....	D9/702
D709,773 S *	7/2014	Murray	.....	D9/702
D724,954 S *	3/2015	Niggemyer	.....	D9/708
D729,071 S *	5/2015	Bradley	.....	D9/705
D769,129 S *	10/2016	Patterson	.....	D9/708
D775,532 S *	1/2017	Basson	.....	D9/709

(72) Inventor: **Liza Huber**, Garden City, NY (US)

(73) Assignee: **Sage Bears, LLC**, Garden City, NY (US)

(\*\*) Term: **15 Years**

(21) Appl. No.: **29/567,075**

\* cited by examiner

(22) Filed: **Jun. 6, 2016**

*Primary Examiner* — Abraham T Bahta

(51) **LOC (10) Cl.** ..... **09-05**

(74) *Attorney, Agent, or Firm* — Nicholas P. Chiara;  
Holland & Knight LLP

(52) **U.S. Cl.**  
USPC ..... **D9/709**

(58) **Field of Classification Search**

(57) **CLAIM**

The ornamental design for a squeezable refillable food container, as shown and described.

USPC ..... D9/702-714, 720-722, 414, 434-435, D9/696, 716, 771, 447, 516-517, D9/738-747, 544, 520-521; D24/118, D24/207, 108; 383/6, 9, 22, 96, 61.1, 383/80-81, 104, 901, 63, 203, 107, 383/119-120, 123, 61.2, 44; 220/675, 220/495.03; 215/381-385, 400, 328, 316; 206/484; D3/202; 428/34.3; 222/92, 222/215, 95, 107; 604/408, 403, 415

CPC ..... B65D 41/12; B65D 41/00; B65D 41/02; B65D 41/04; B65D 41/26; B65D 41/34; B65D 1/02; B65D 1/00; B65D 1/32; B65D 1/023; B65D 11/00; B65D 11/04; B65D 11/20; B65D 23/00; A61J 1/10; A61J 1/2089; A61J 1/201; A61J 1/2096

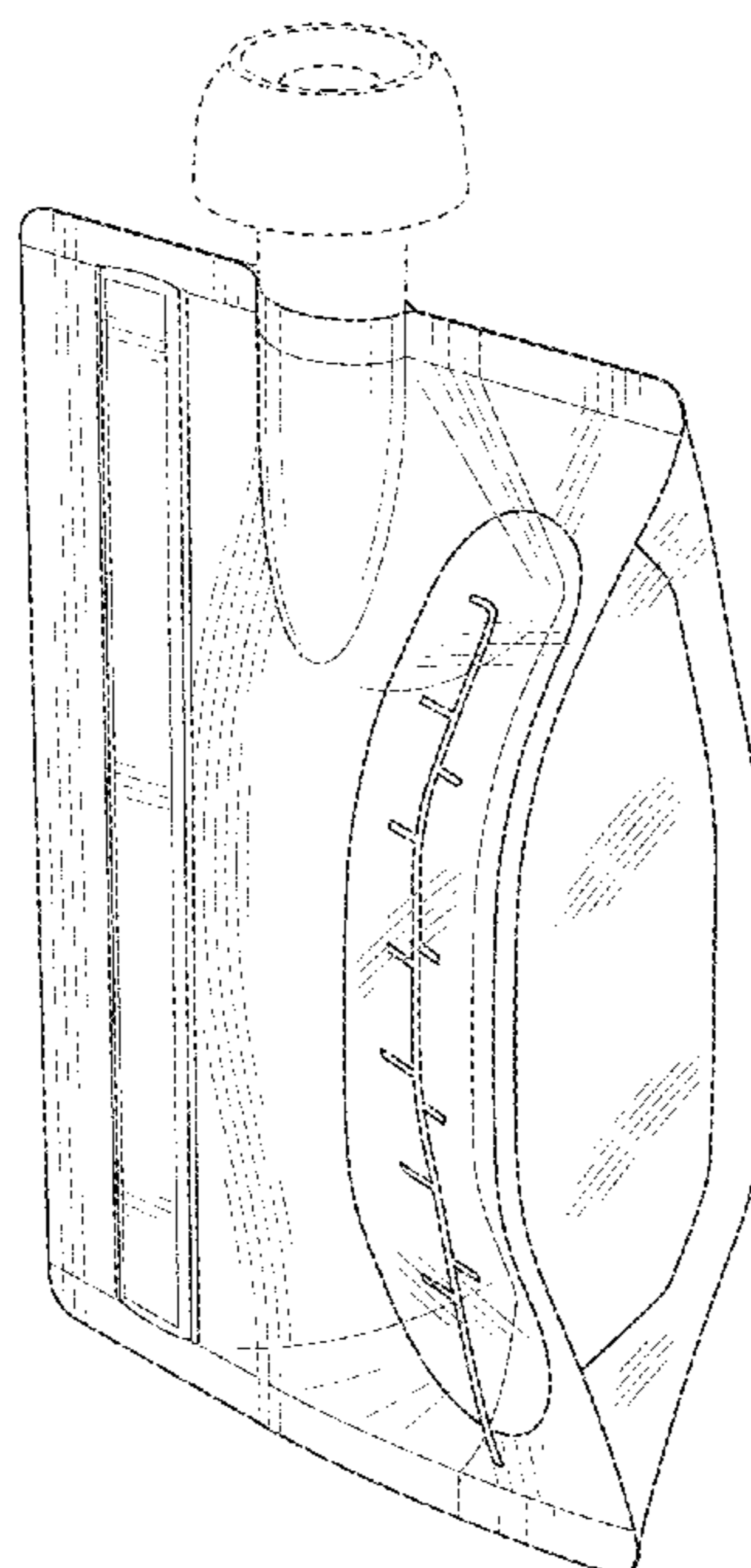
**DESCRIPTION**

FIG. 1 is a rear perspective view of a squeezable refillable food container;  
 FIG. 2 is a front view thereof;  
 FIG. 3 is a rear view thereof;  
 FIG. 4 is a right side view thereof;  
 FIG. 5 is a left side view thereof;  
 FIG. 6 is a top view thereof; and,  
 FIG. 7 is a bottom view thereof.

The broken lines are included for the purpose of illustrating portions of the squeezable refillable food container that form no part of the claimed design.

See application file for complete search history.

**1 Claim, 5 Drawing Sheets**



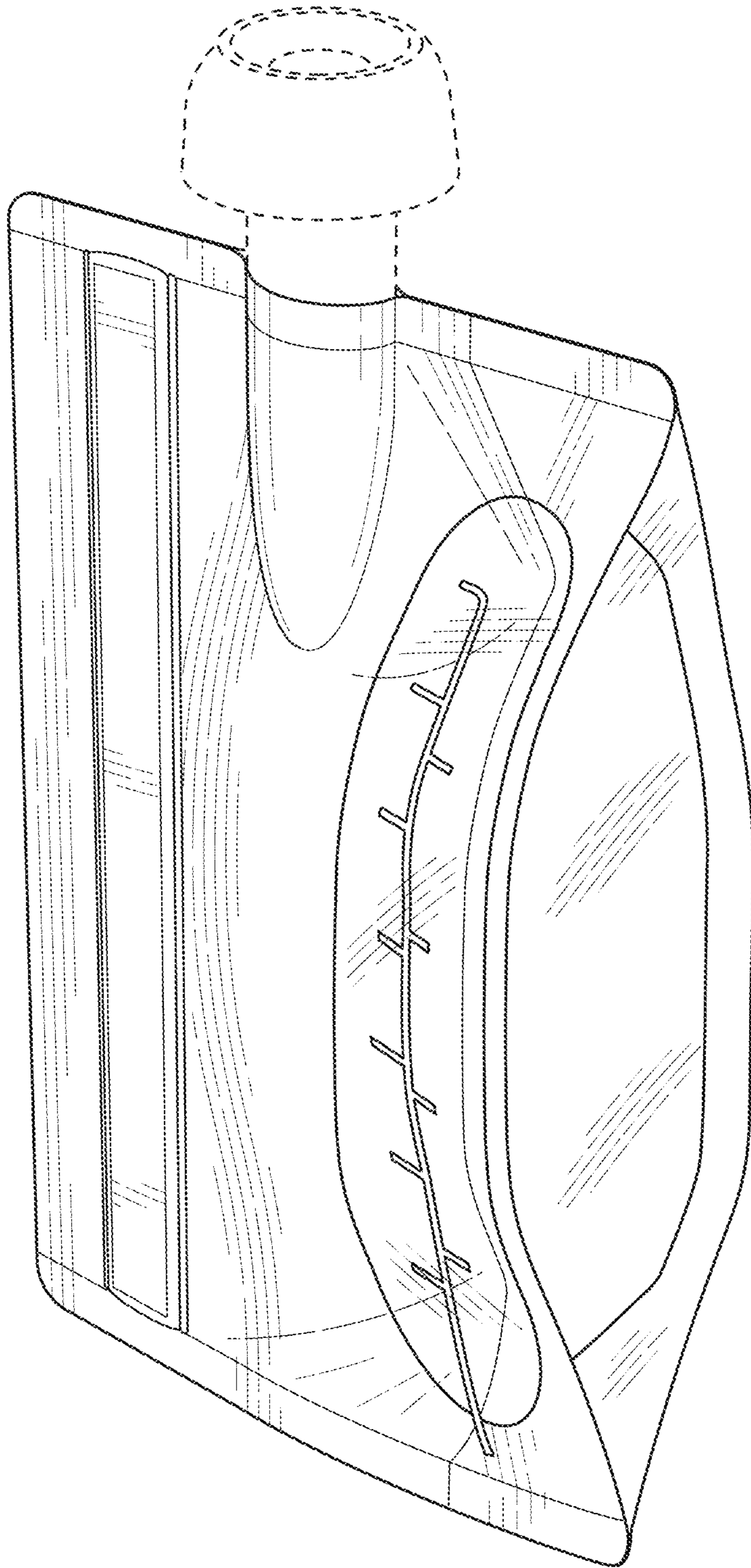


FIG. 1

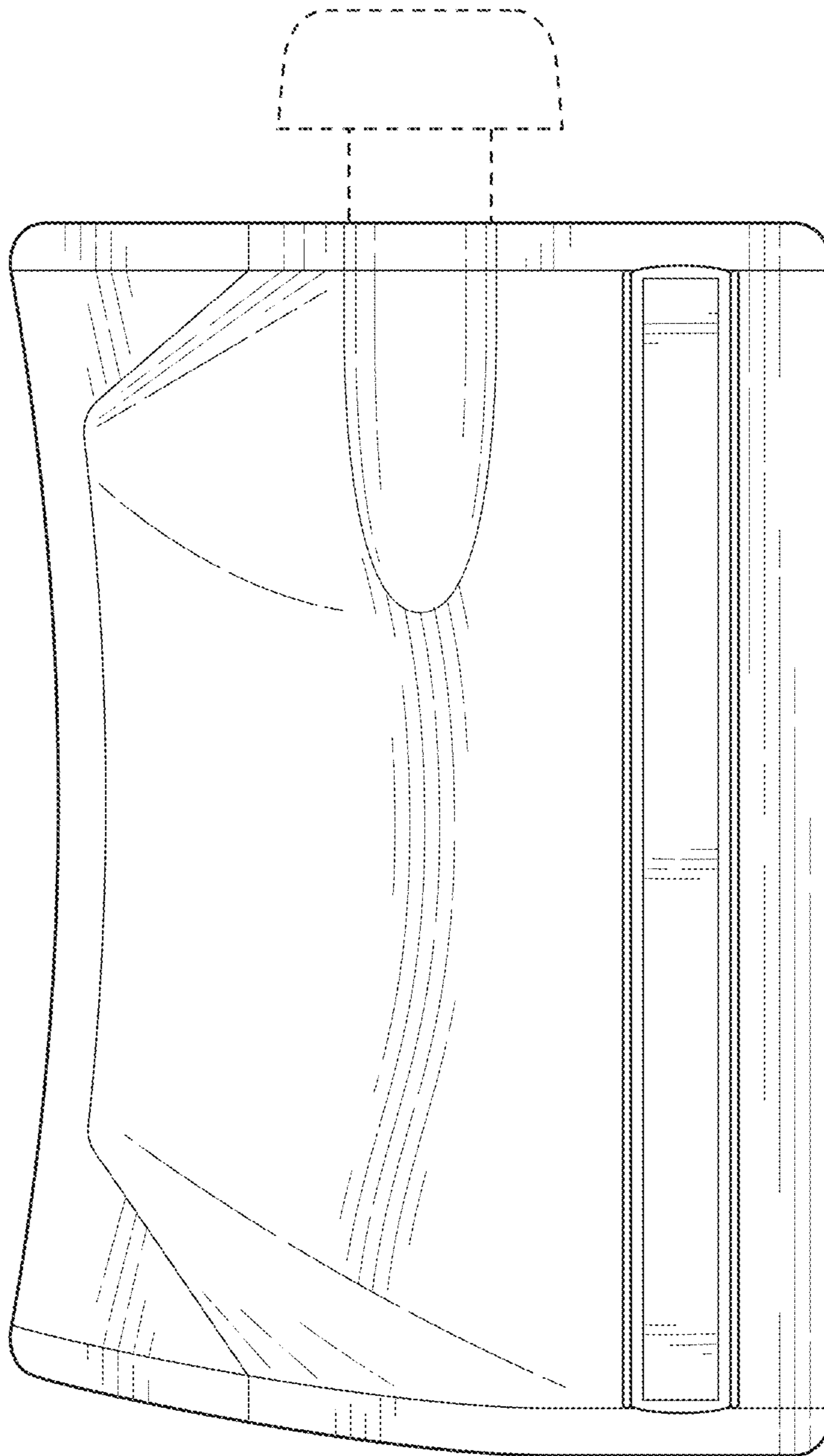


FIG. 2

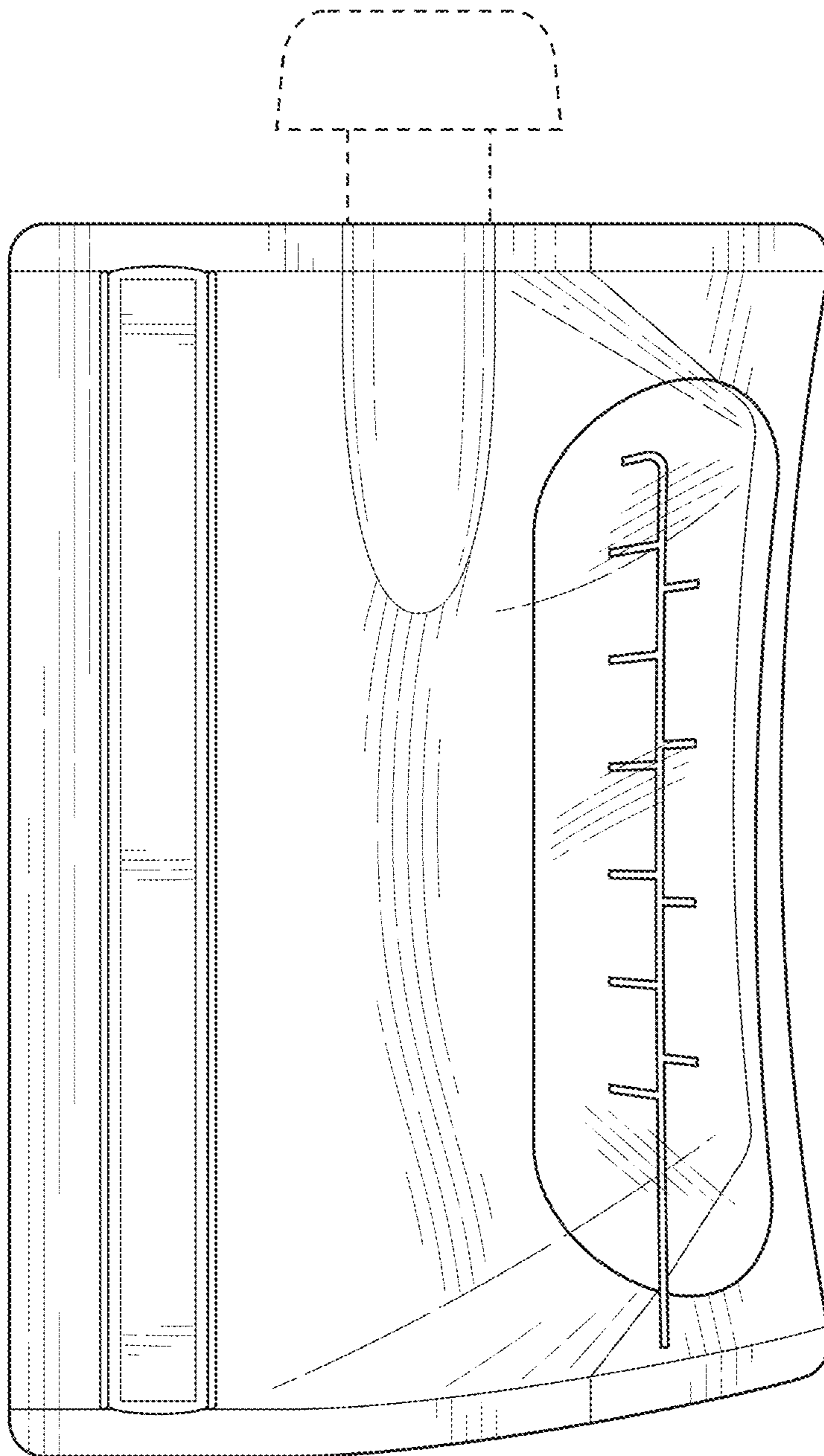


FIG. 3

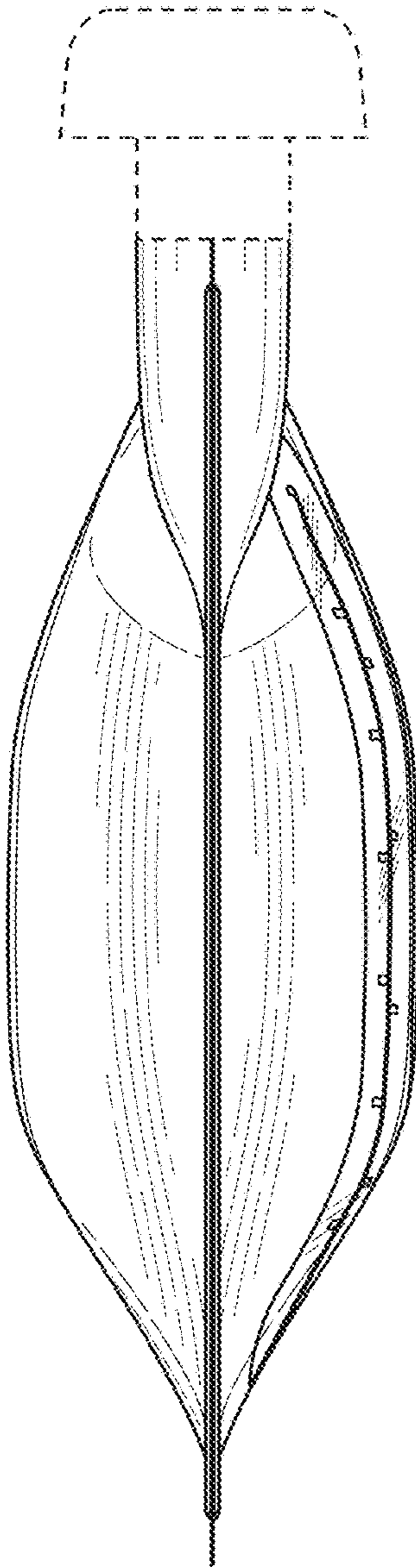


FIG. 4

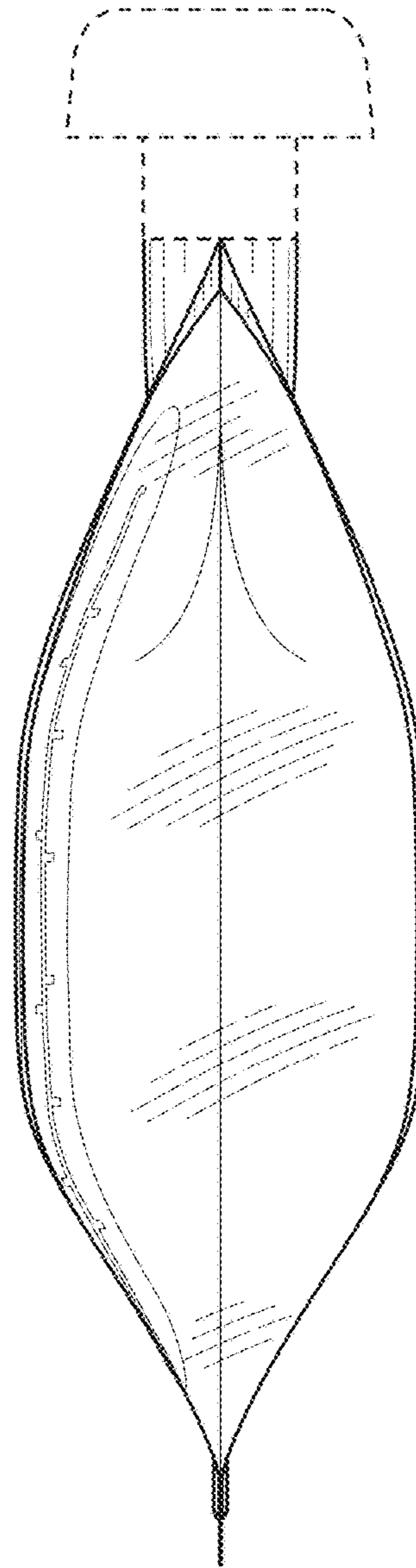


FIG. 5

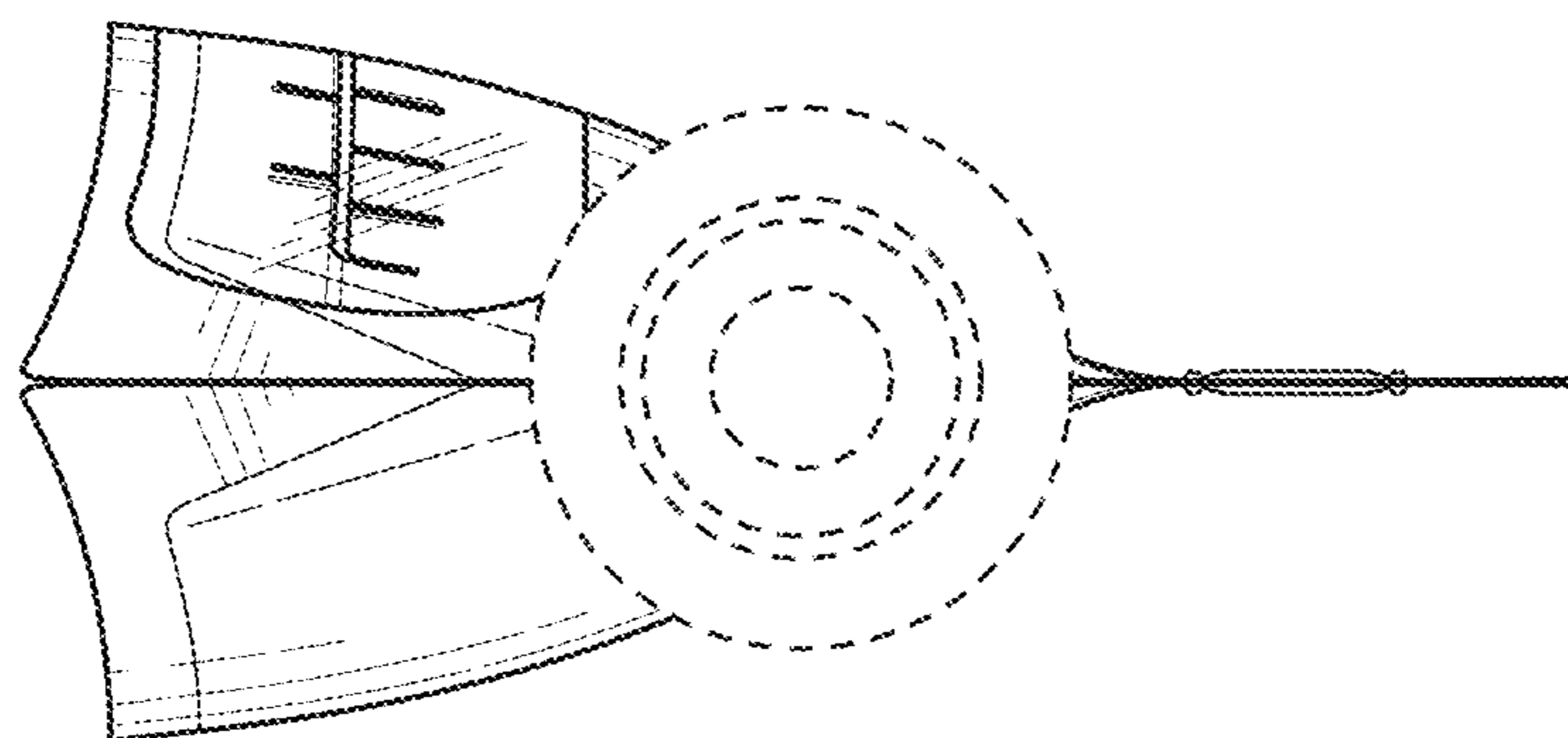


FIG. 6

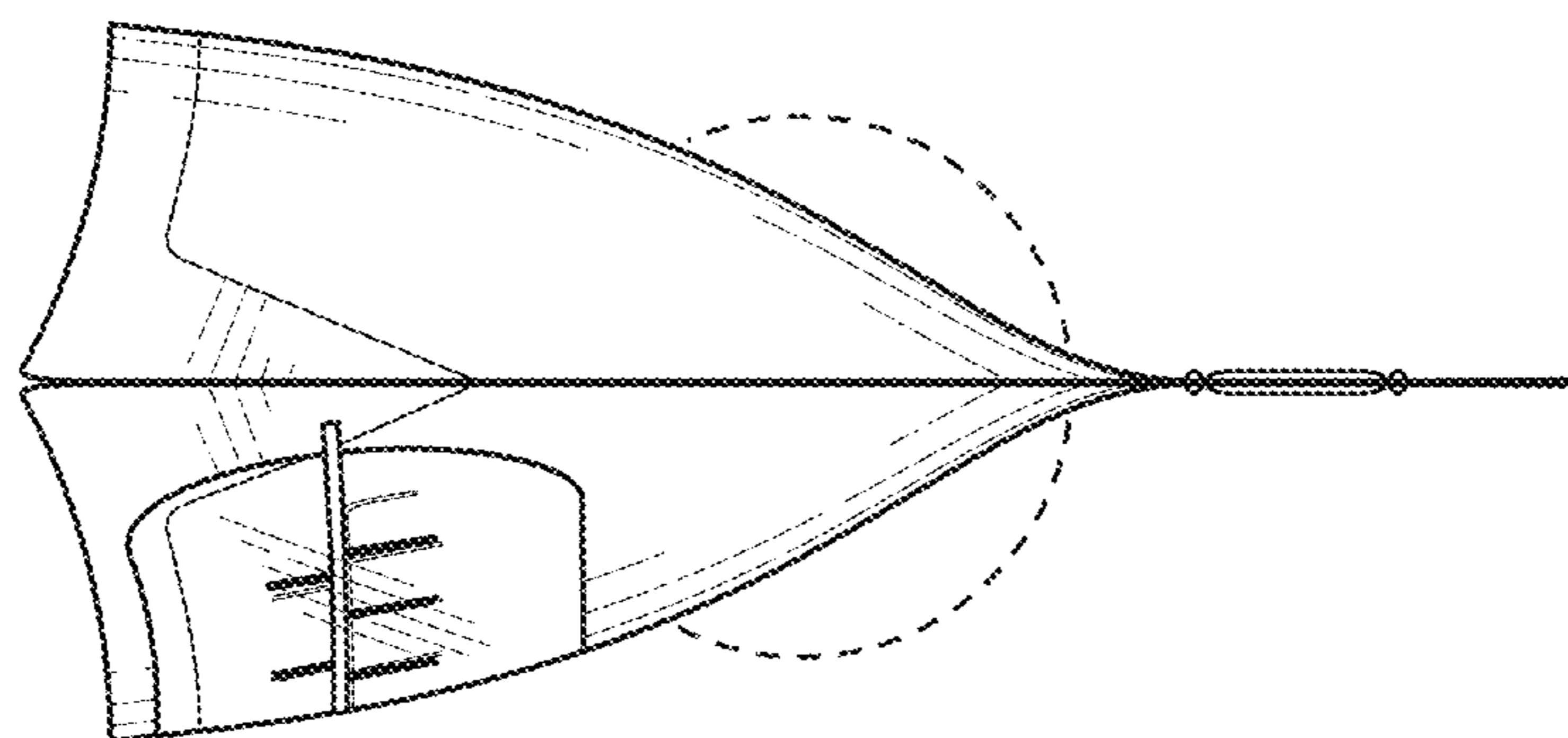


FIG. 7