



US00D789214S

(12) **United States Design Patent**
Belt

(10) **Patent No.:** **US D789,214 S**
(45) **Date of Patent:** **** Jun. 13, 2017**

(54) **TRANSPARENT BOOT BAG**
(71) Applicant: **Kristin Terk Belt**, Driftwood, TX (US)
(72) Inventor: **Kristin Terk Belt**, Driftwood, TX (US)
(**) Term: **15 Years**

D367,173 S * 2/1996 Trihus D3/216
D547,063 S * 7/2007 Soetardjo D3/269
D634,931 S * 3/2011 Terrell D3/289
D683,961 S * 6/2013 Middleton D3/269
D688,454 S * 8/2013 Saunders D3/269
D781,574 S * 3/2017 Bedford D3/217

* cited by examiner

(21) Appl. No.: **29/565,102**
(22) Filed: **May 18, 2016**
(51) **LOC (10) Cl.** **09-05**
(52) **U.S. Cl.**
USPC **D9/704**

Primary Examiner — Abraham T Bahta
(74) *Attorney, Agent, or Firm* — Dunlap Bennett & Ludwig PLLC

(58) **Field of Classification Search**
USPC D9/702–714, 720–722, 414, 434–435,
D9/447, 516–517, 440, 424, 430–432;
D24/118, 207; 383/61.1, 80–81, 901,
383/203, 107, 119–120, 123, 67;
222/107, 92, 206, 215; 604/408, 403;
220/495.03, 675; 215/381–385, 400;
D5/4–6, 8–19, 20–22, 24, 32, 36;
D3/202; 428/34.3; 128/DIG. 24;
426/106; D18/43, 56; D28/85, 88, 84,
D28/99
CPC B65D 85/00; B65D 85/18; B65D 85/187;
B65D 33/00; B65D 33/10; A45C 3/00;
A45C 3/12
See application file for complete search history.

(57) **CLAIM**

The ornamental design for a transparent boot bag, as shown and described.

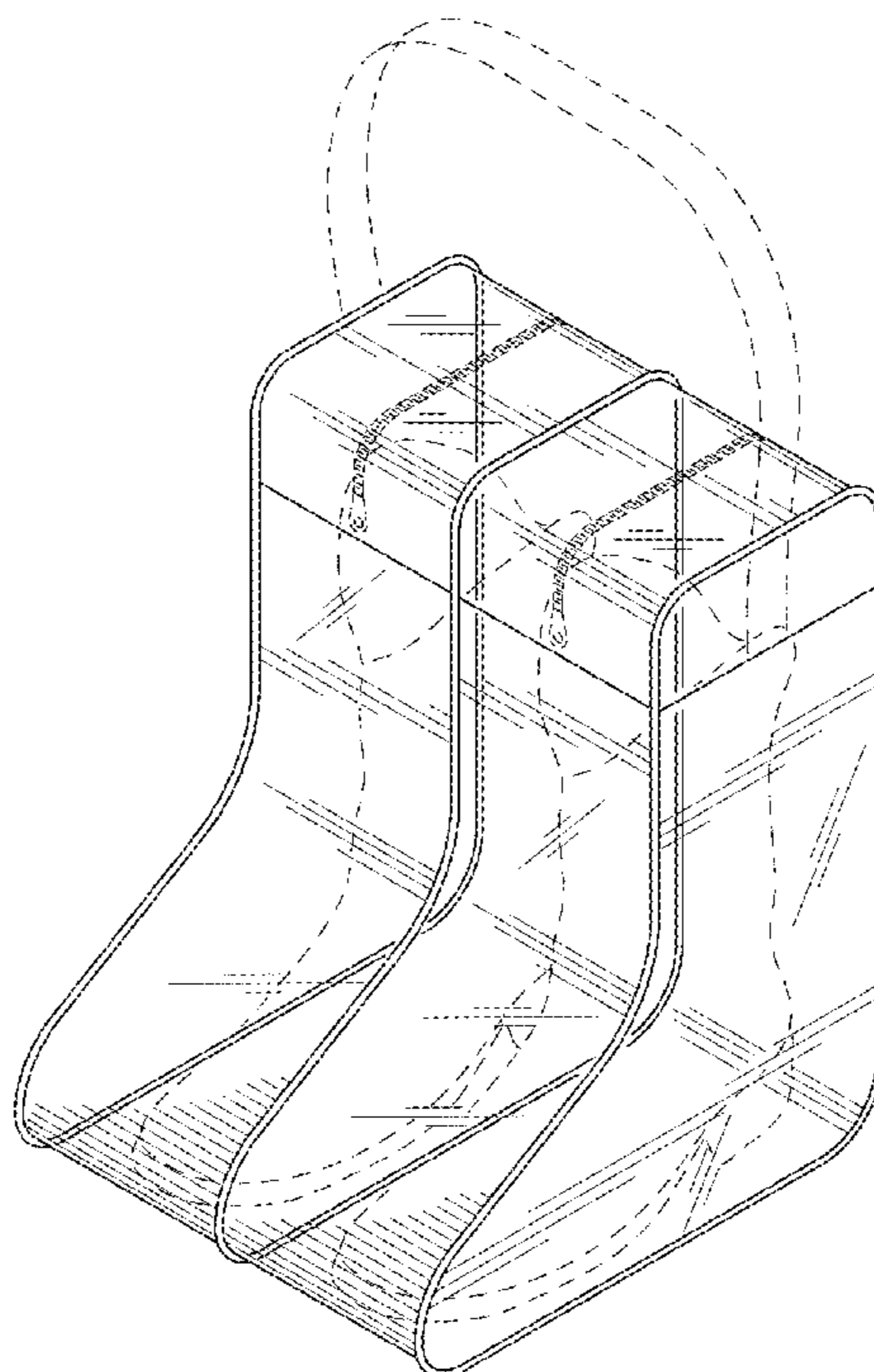
DESCRIPTION

FIG. 1 is a top front perspective view of the transparent boot bag, shown in use;
FIG. 2 is a top front perspective view of the transparent boot bag;
FIG. 3 is a right elevation view of the transparent boot bag, with the left elevation view being a mirror image thereof;
FIG. 4 is a front elevation view thereof;
FIG. 5 is a rear elevation view thereof;
FIG. 6 is a top elevation view thereof; and,
FIG. 7 is a bottom elevation view thereof.
The broken lines shown in the drawings illustrate portions of the transparent boot bag that form no part of the claimed design.

(56) **References Cited**
U.S. PATENT DOCUMENTS

D202,403 S * 9/1965 Craig D3/269
3,749,232 A 7/1973 Craig

1 Claim, 4 Drawing Sheets



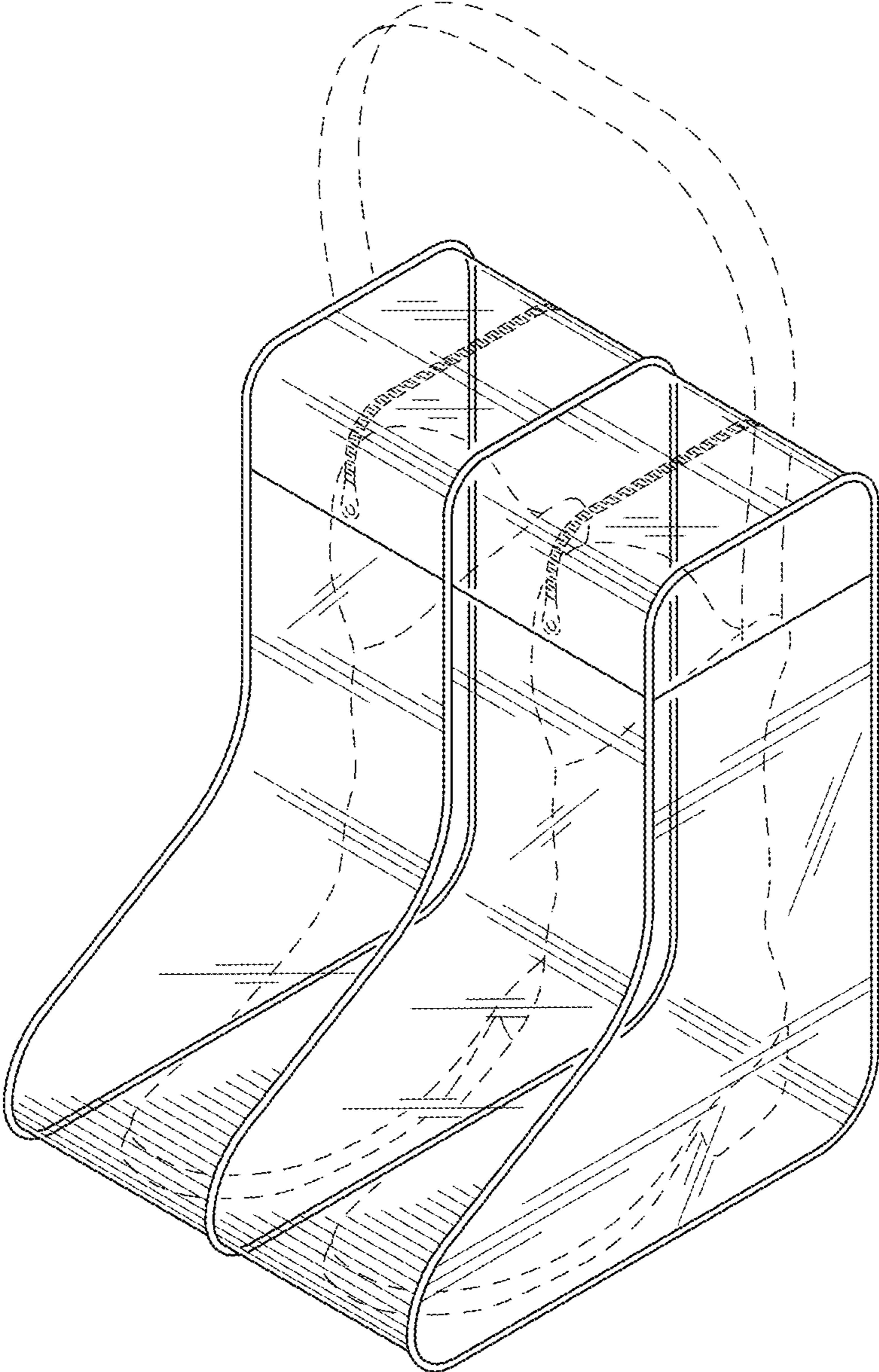


FIG. 1

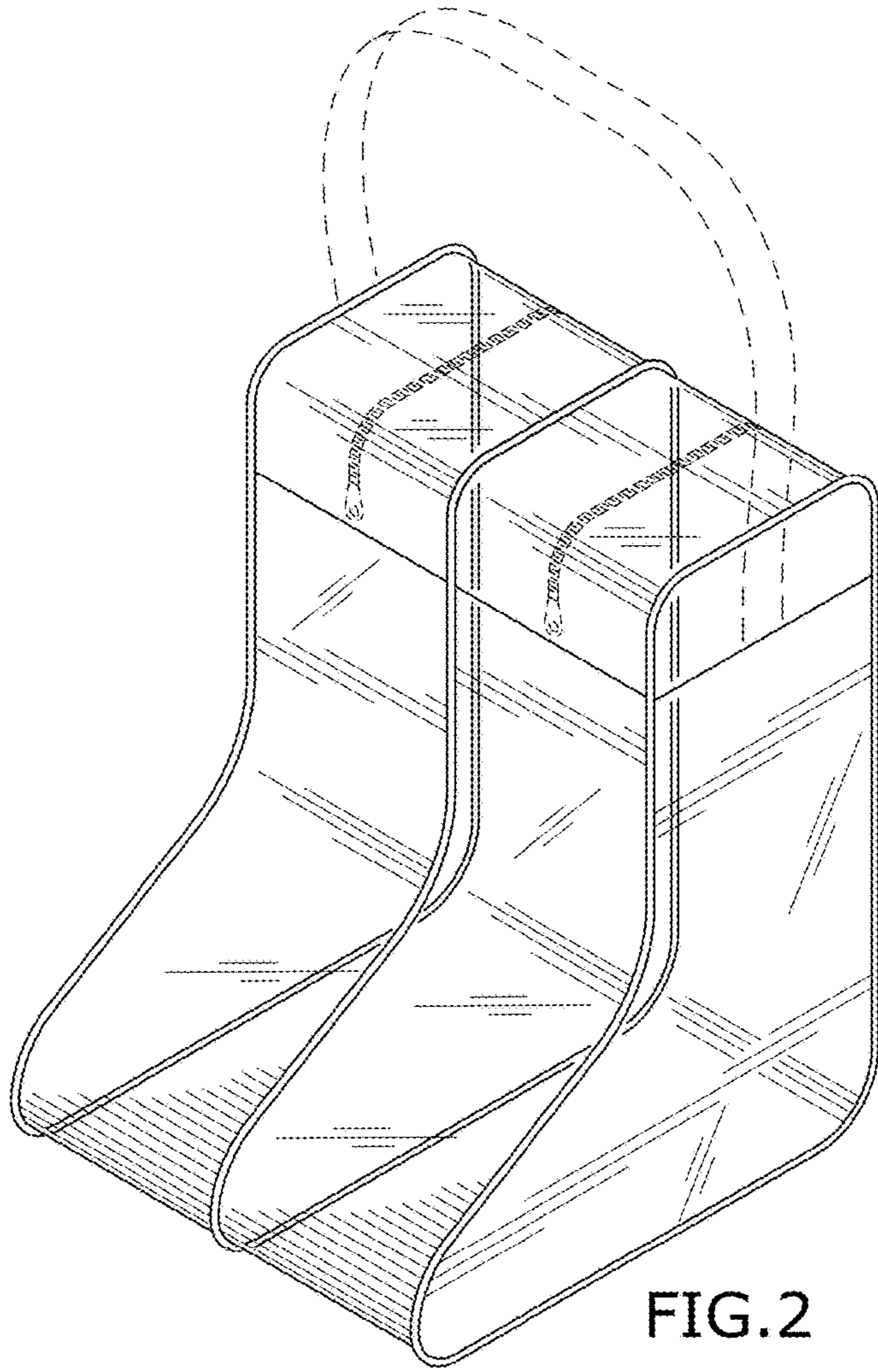


FIG. 2

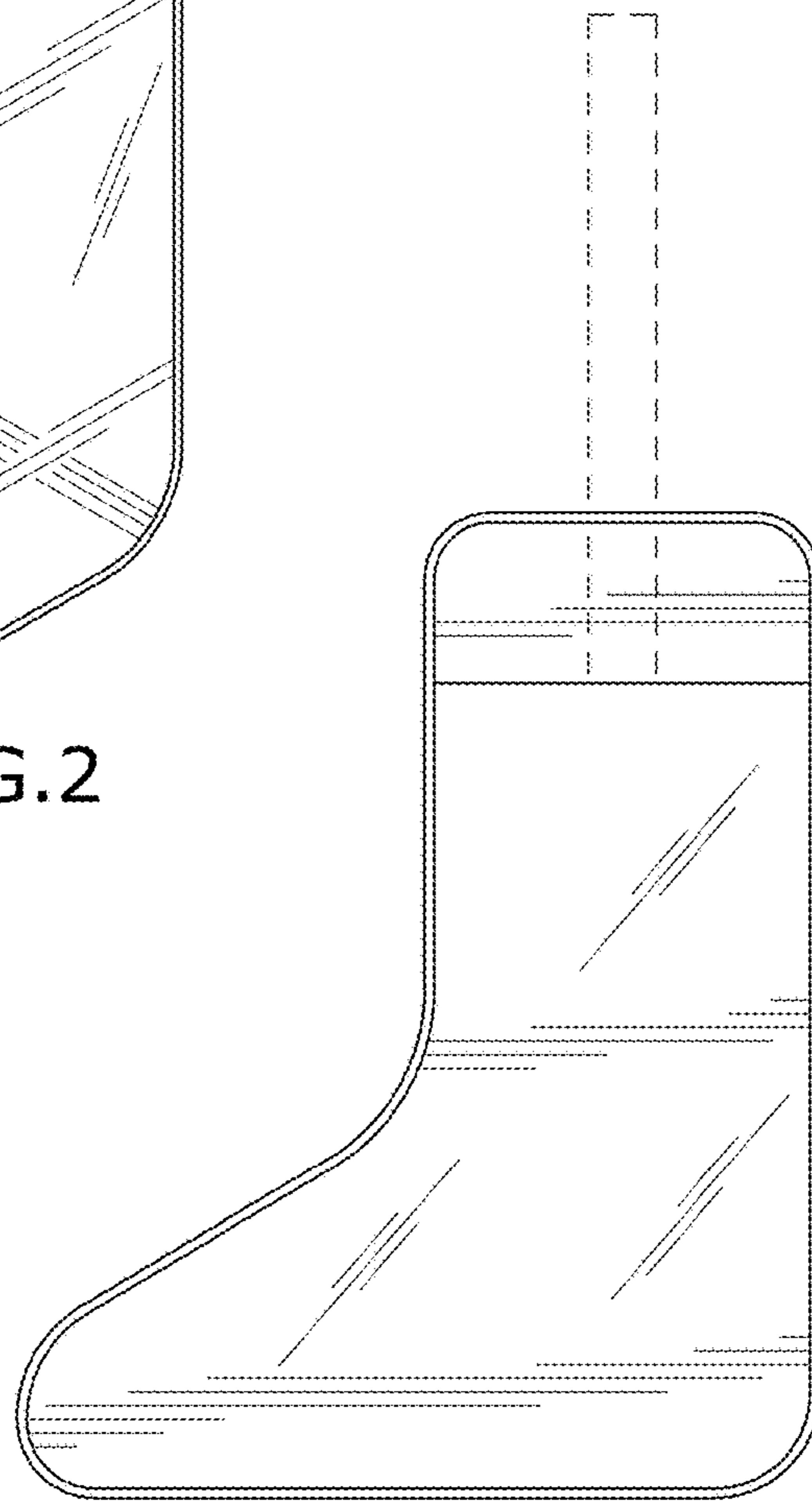


FIG. 3

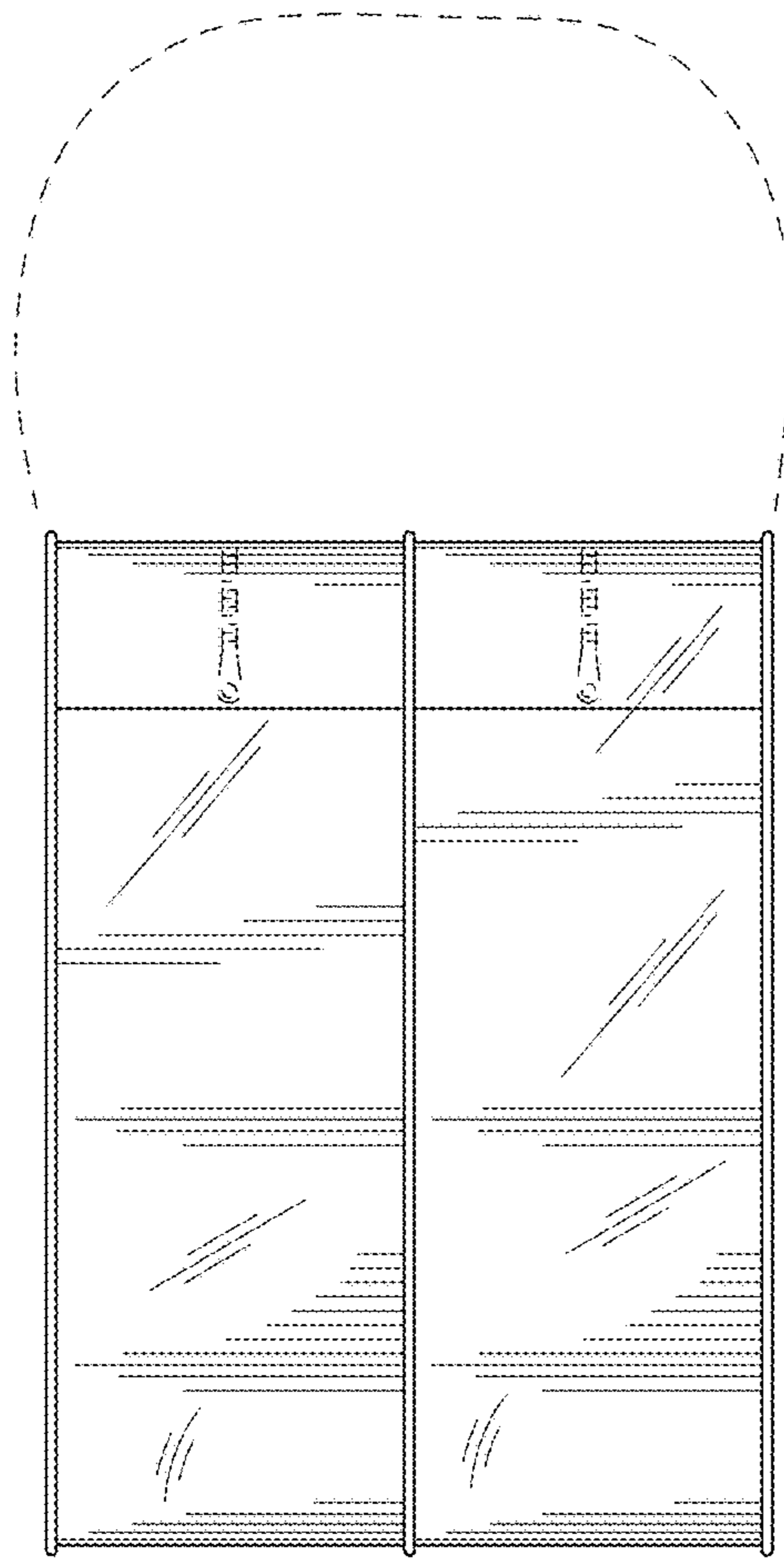


FIG. 4

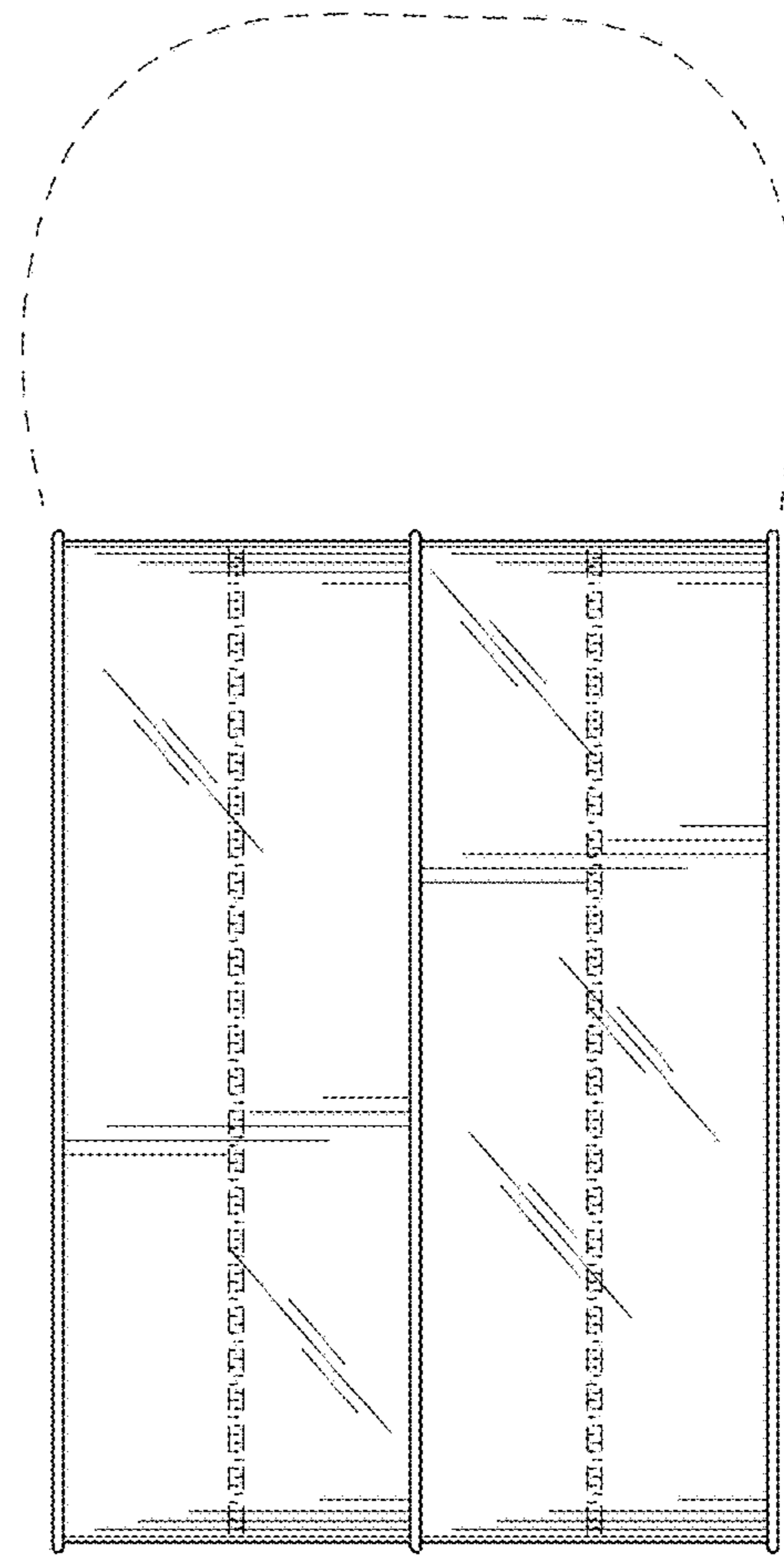


FIG. 5

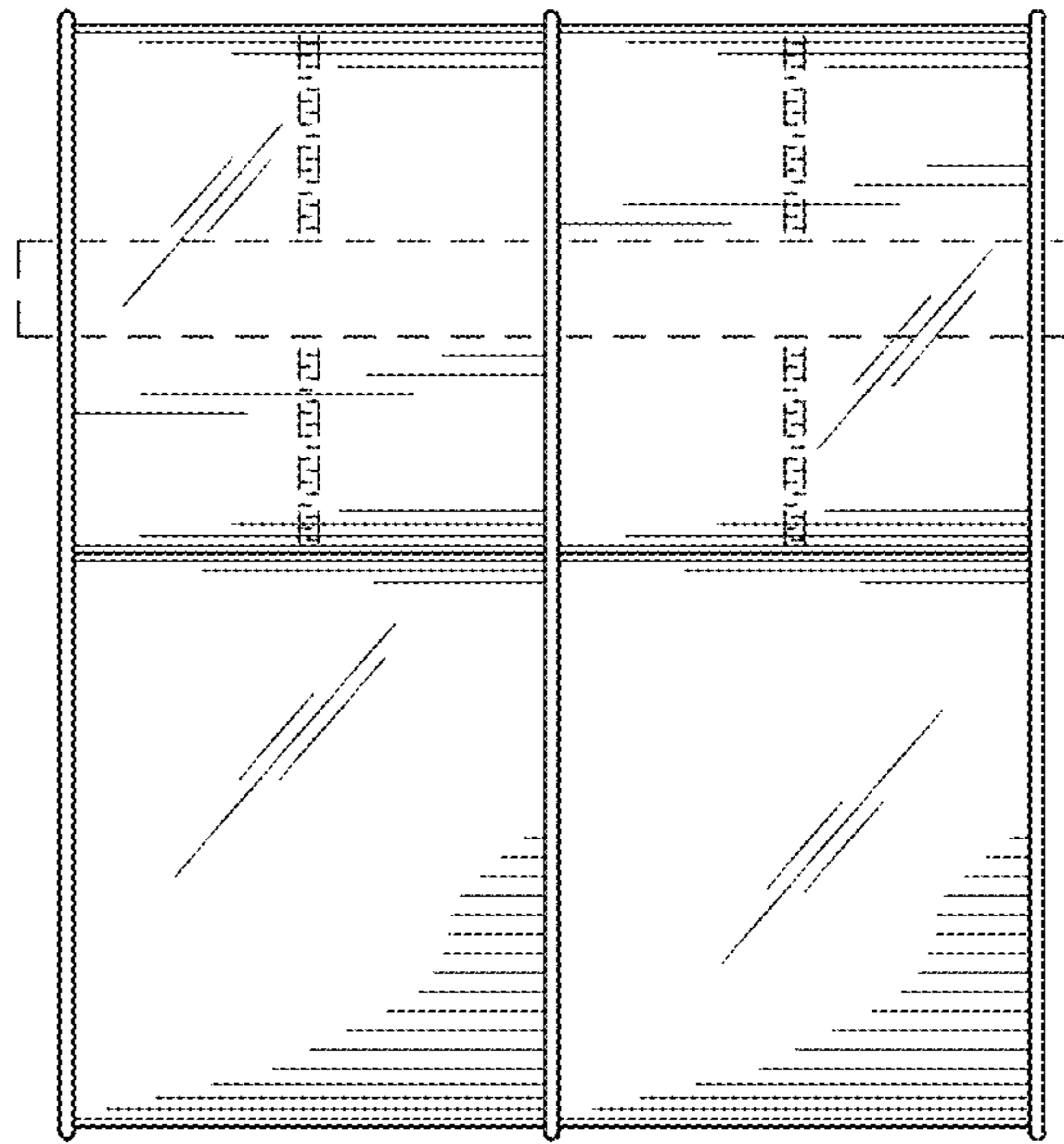


FIG. 6

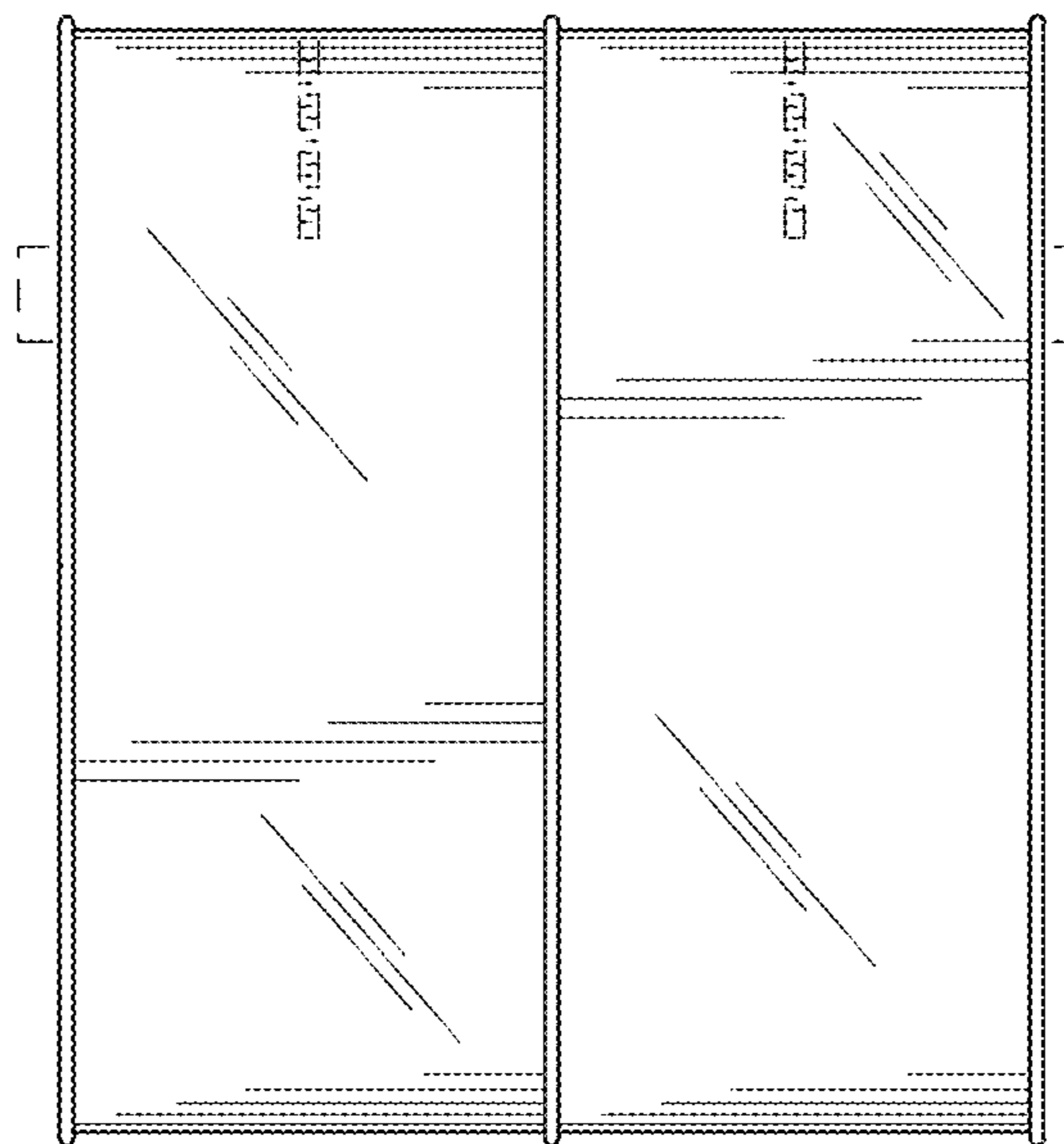


FIG. 7