



US00D789212S

(12) **United States Design Patent**
de Haen

(10) **Patent No.:** **US D789,212 S**

(45) **Date of Patent:** **** Jun. 13, 2017**

(54) **FOOT ACCESORY PACKAGING-ELEMENT**

(71) Applicant: **Blu Sand, LLC**, New York, NY (US)

(72) Inventor: **Katrin de Haen**, New York, NY (US)

(73) Assignee: **Blu Sand, LLC**, New York, NY (US)

(**) Term: **15 Years**

(21) Appl. No.: **29/545,591**

(22) Filed: **Nov. 13, 2015**

(51) **LOC (10) Cl.** **09-01**

(52) **U.S. Cl.**

USPC **D9/624**; D9/434

(58) **Field of Classification Search**

USPC D9/600, 614–629, 414–418, 430–434,
D9/456–457; 206/457, 494, 459.5, 527,
206/540; 229/116.1; 215/381–384, 400;
D7/514–516, 539, 544, 571, 579, 604,
D7/613, 619.2, 628–630, 391–392.1;
D3/202, 270–271.12

CPC B65D 67/00; B65D 81/36; B65D 81/60;
B65D 81/368; B65D 2203/00; B65D
2203/02; A63H 33/16

See application file for complete search history.

(56) **References Cited**

U.S. PATENT DOCUMENTS

D380,675 S * 7/1997 Daniel D9/418
D454,035 S * 3/2002 Brendel D7/619.2

D461,128 S * 8/2002 Kardush D9/457
D542,671 S * 5/2007 Beattie D9/624
D551,551 S * 9/2007 Woolery D9/415
D561,607 S * 2/2008 Caudill D9/415
D666,106 S * 8/2012 Zuniga D9/415
D666,921 S * 9/2012 Gallagher B65D 33/20
D9/709
D699,582 S * 2/2014 Baum D9/415

* cited by examiner

Primary Examiner — Sandra Morris

(74) *Attorney, Agent, or Firm* — Dorsey & Whitney LLP

(57) **CLAIM**

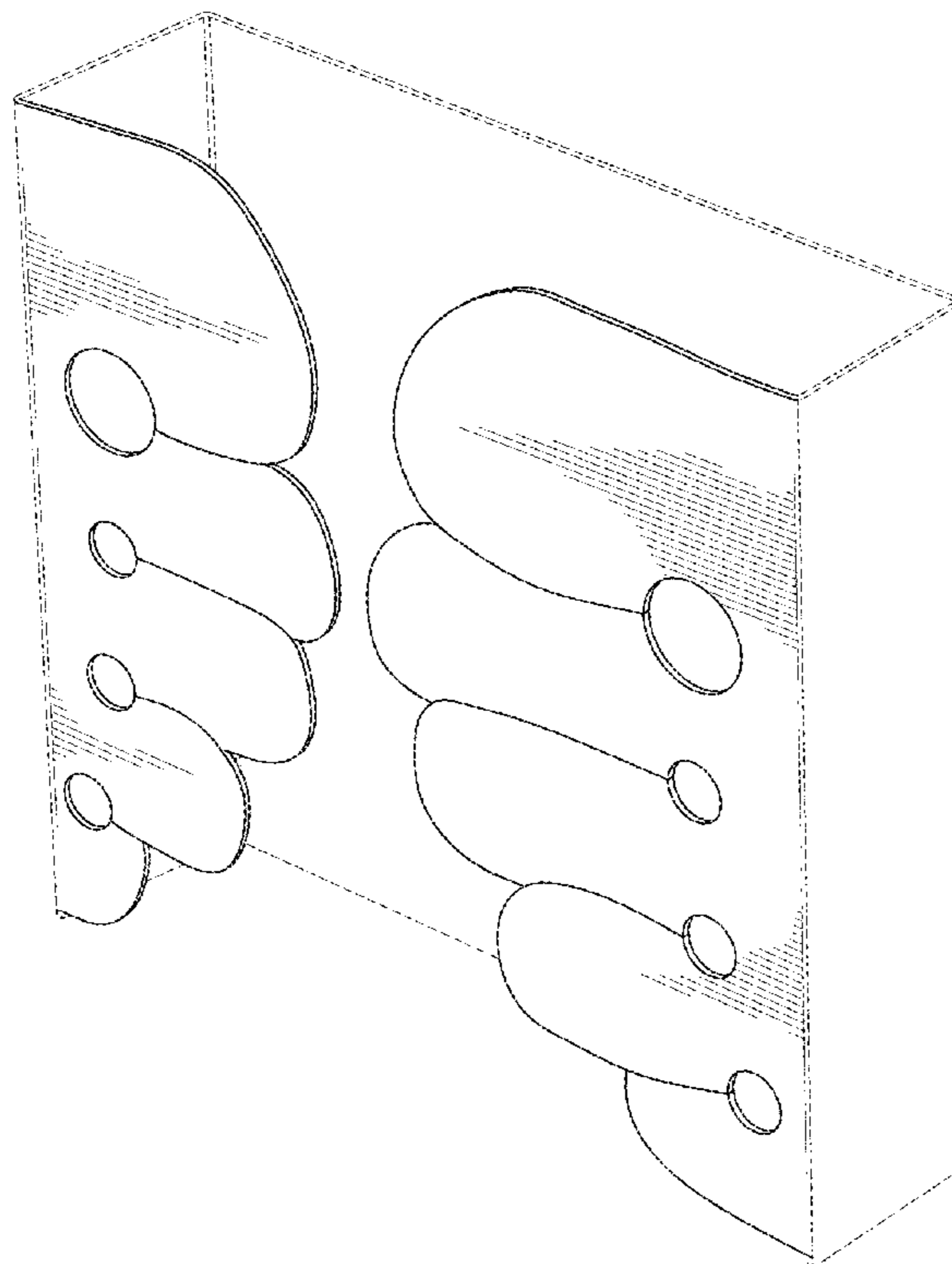
The ornamental design for a foot accessory packaging-element, as shown and described.

DESCRIPTION

FIG. 1 shows a front perspective-view of a foot accessory packaging-element;
FIG. 2 shows a front view thereof;
FIG. 3 shows a rear view thereof;
FIG. 4 shows a left-side view thereof;
FIG. 5 shows a right-side view thereof;
FIG. 6 shows a top view thereof;
FIG. 7 shows a bottom view thereof; and,
FIG. 8 shows a front perspective-view thereof holding foot accessories in a box.

The broken lines illustrate environmental structure and form no part of the claimed design.

1 Claim, 6 Drawing Sheets



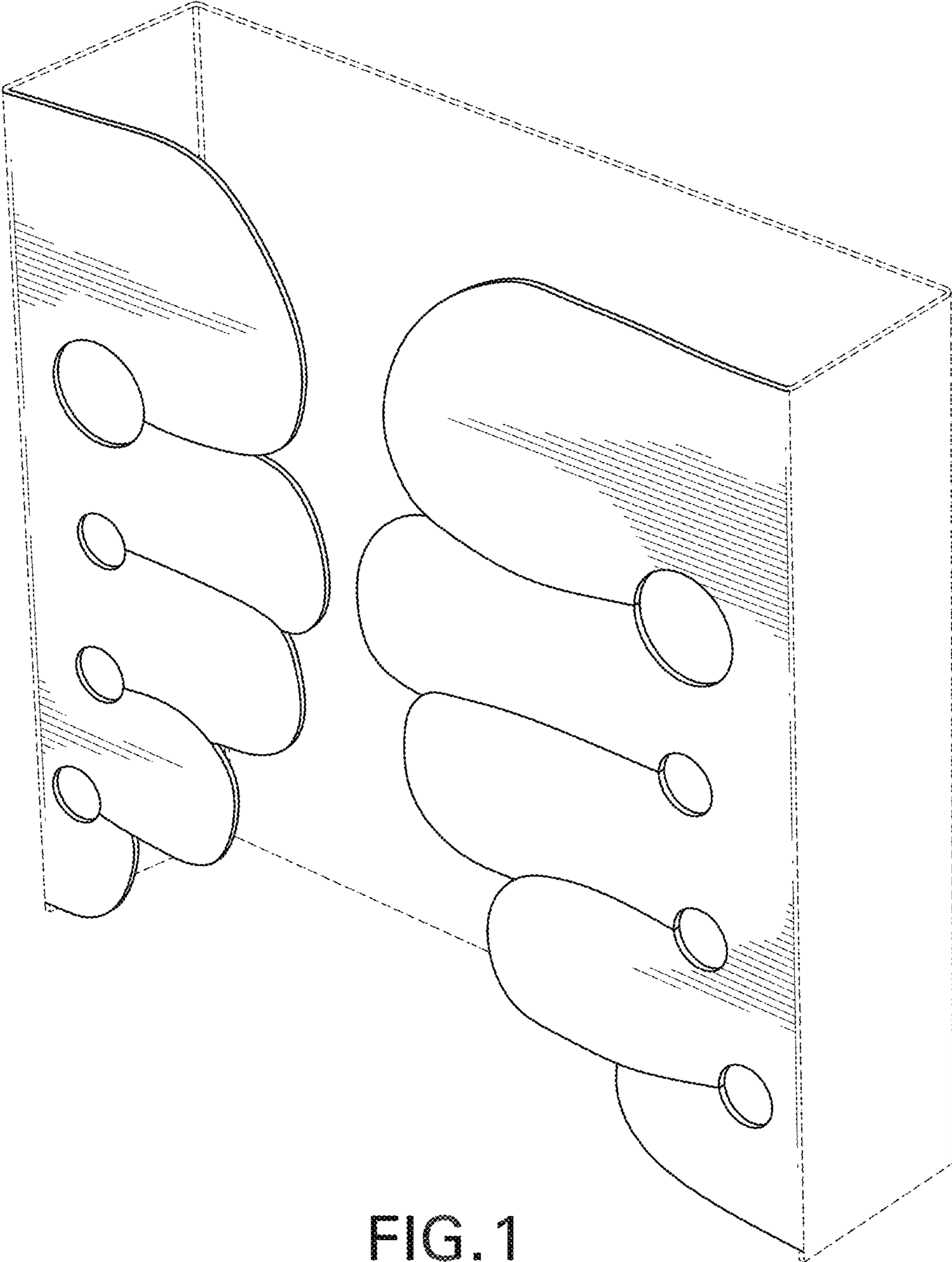


FIG. 1

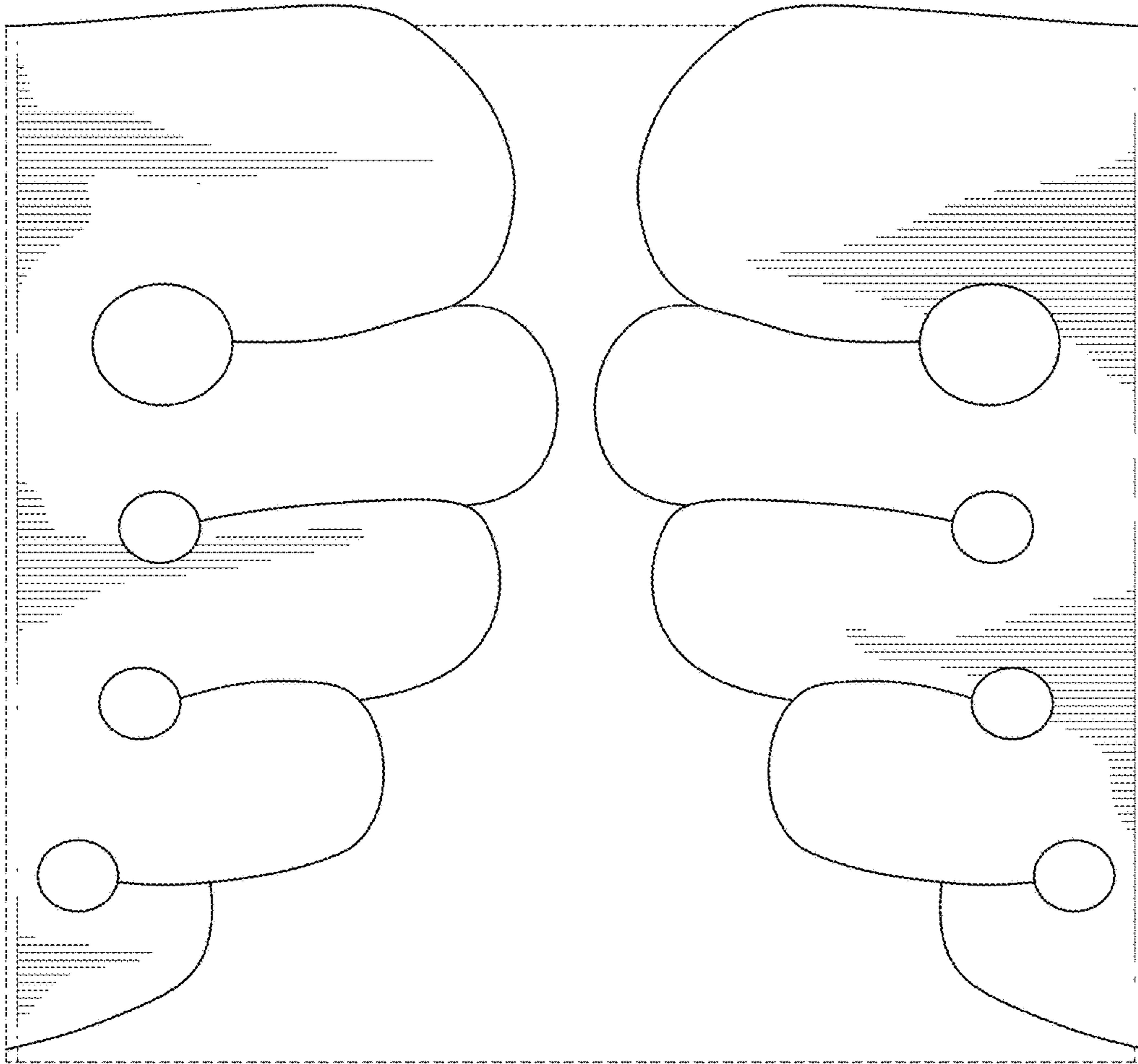


FIG.2

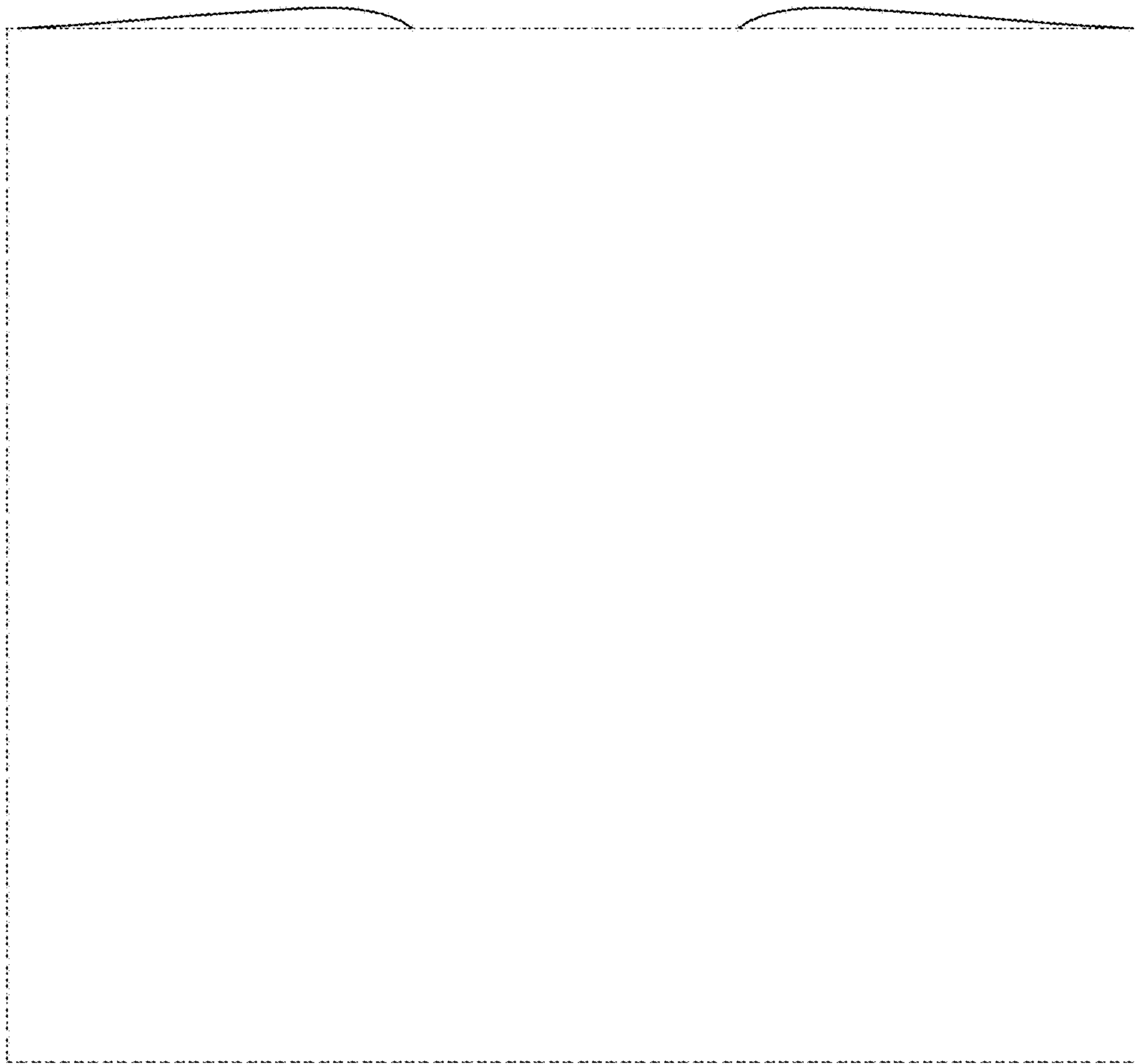


FIG. 3

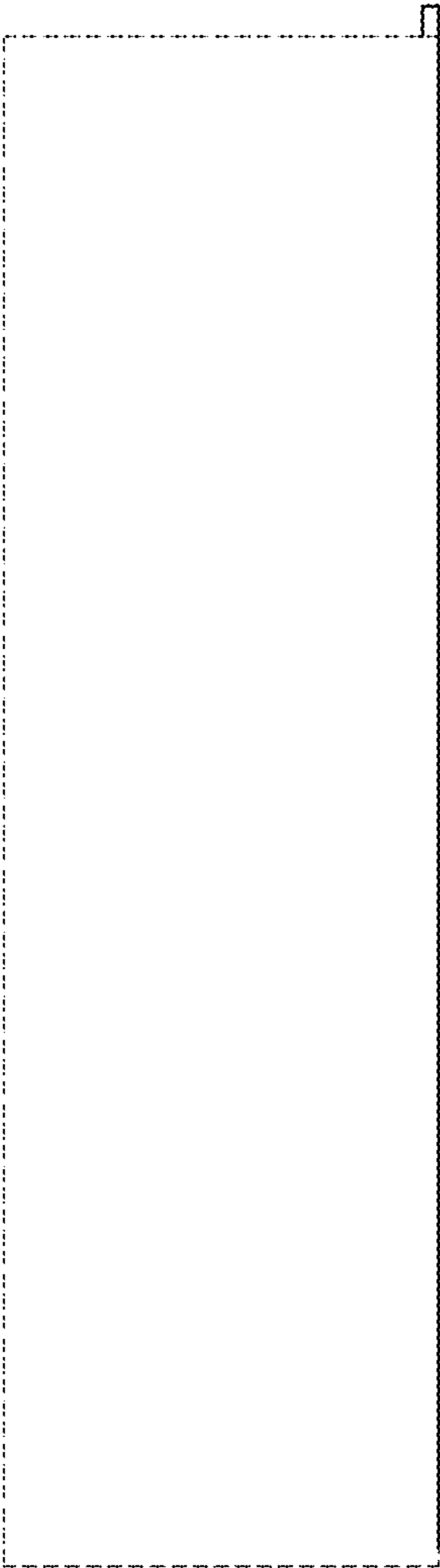


FIG. 4

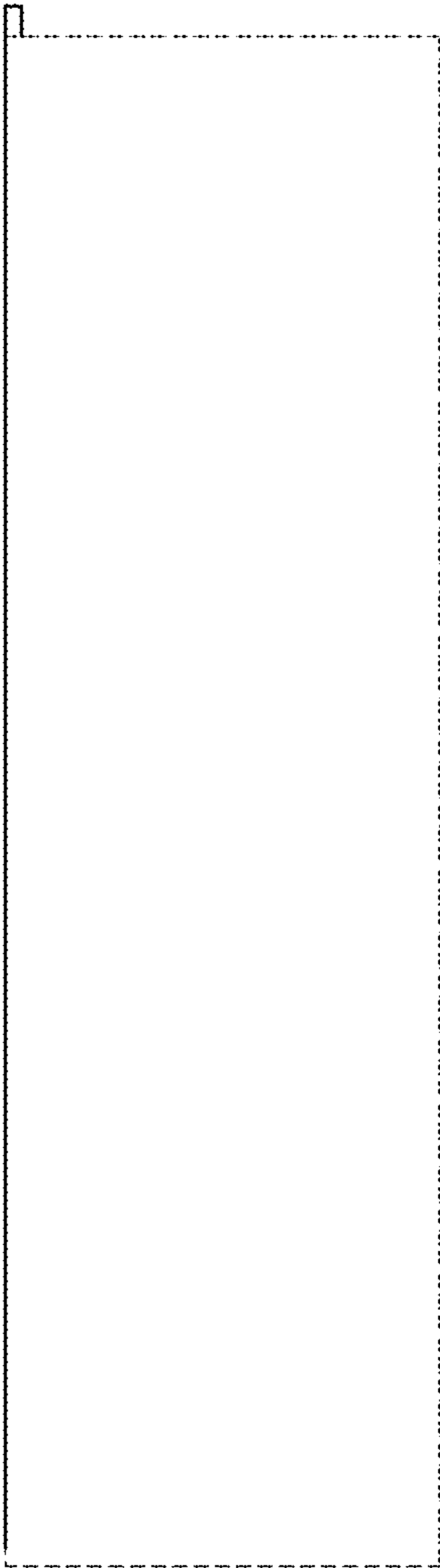


FIG. 5

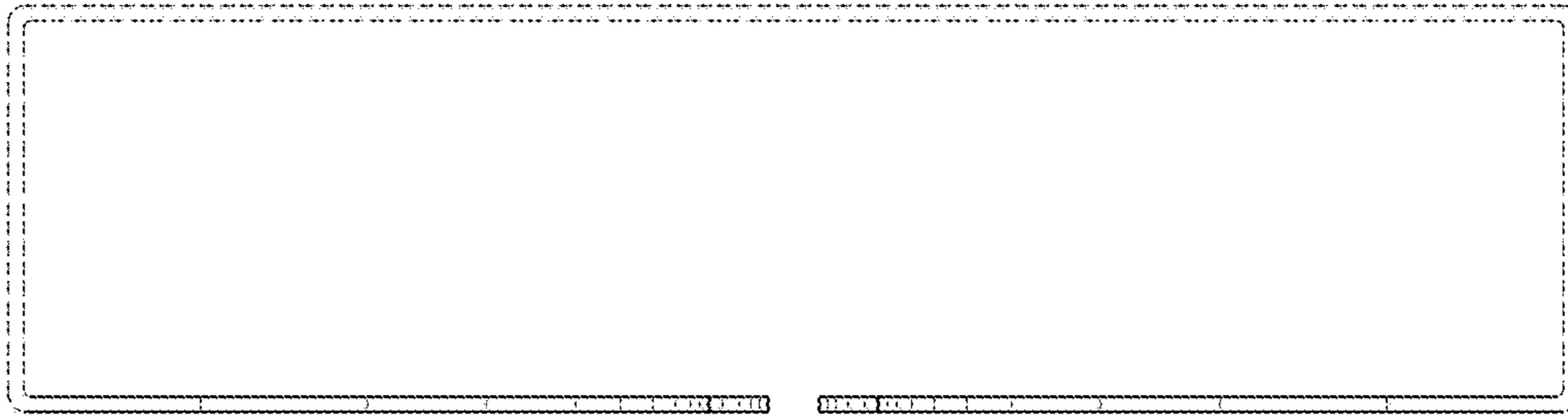


FIG. 6

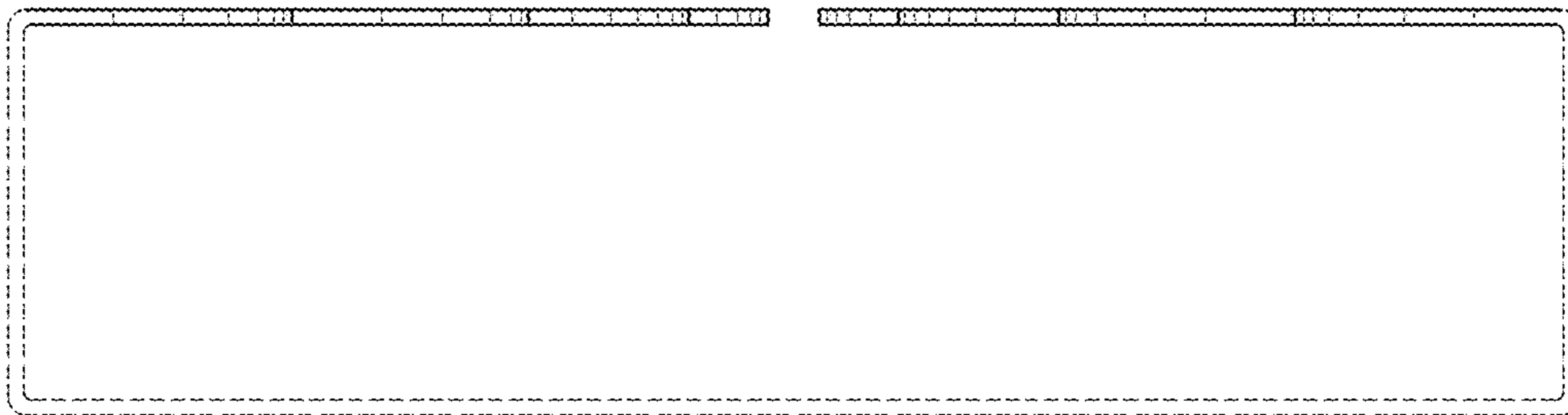


FIG. 7

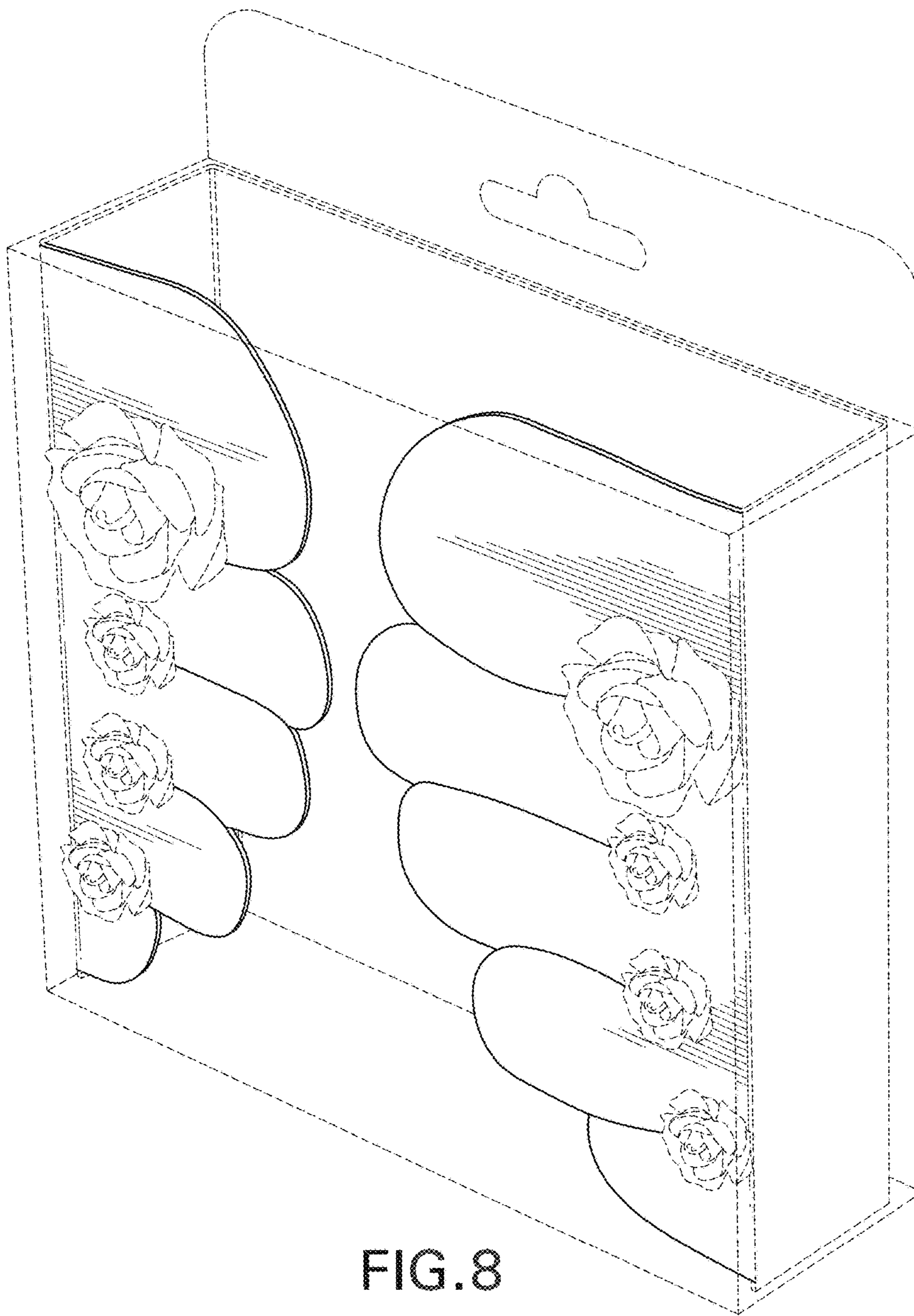


FIG. 8