



US00D789210S

(12) **United States Design Patent**
Oaknin

(10) **Patent No.:** **US D789,210 S**

(45) **Date of Patent:** **** Jun. 13, 2017**

- (54) **BEAR-SHAPED CONTAINER**
- (71) Applicant: **I LOVE SUGAR, INC.**, Myrtle Beach, SC (US)
- (72) Inventor: **David M. Oaknin**, Myrtle Beach, SC (US)
- (73) Assignee: **I LOVE SUGAR, INC.**, Myrtle Beach, SC (US)

| | | | | |
|--------------|---------|-------------|-------|----------|
| D376,620 S * | 12/1996 | Czapiewski | | D9/608 |
| D383,667 S * | 9/1997 | Frerichs | | D9/608 |
| D407,219 S * | 3/1999 | Rigarlsford | | D21/604 |
| D419,867 S * | 2/2000 | Hager | | D9/608 |
| D526,121 S * | 8/2006 | Nip | | D3/271.2 |
| D620,991 S * | 8/2010 | Pozo | | D11/158 |
| D631,786 S * | 2/2011 | Palmer | | D21/604 |
| D665,865 S * | 8/2012 | Goolie | | D21/604 |
| D692,278 S * | 10/2013 | Perez | | D7/515 |
| D726,975 S * | 4/2015 | Kim | | D21/604 |

- (**) Term: **15 Years**
- (21) Appl. No.: **29/533,102**

- (22) Filed: **Jul. 14, 2015**
- (51) **LOC (10) Cl.** **09-01**
- (52) **U.S. Cl.**
USPC **D9/608**
- (58) **Field of Classification Search**
USPC D9/600-601, 607-613; 206/457, 494, 206/459.5, 527, 540; 229/116.1; 446/77; 215/381-384, 400; D7/514-516, 539, D7/544, 571, 579, 604, 613, 619.2, D7/628-630, 391-392.1; D3/270-271.3; D21/604-605
CPC B65D 67/00; B65D 81/36; B65D 81/60; B65D 81/368; B65D 2203/00; B65D 2203/02; A63H 33/16
See application file for complete search history.

(56) **References Cited**

U.S. PATENT DOCUMENTS

| | | | | |
|--------------|---------|-----------|-------|---------|
| D276,929 S * | 12/1984 | Daugherty | | D21/604 |
| D315,444 S * | 3/1991 | Maddocks | | D21/604 |
| D350,793 S * | 9/1994 | Bro | | D21/604 |

OTHER PUBLICATIONS

Photo of Dylan's candy bar filled gummy bear containers.

* cited by examiner

Primary Examiner — Sandra Morris

(74) *Attorney, Agent, or Firm* — Tarter Krinsky & Drogin LLP

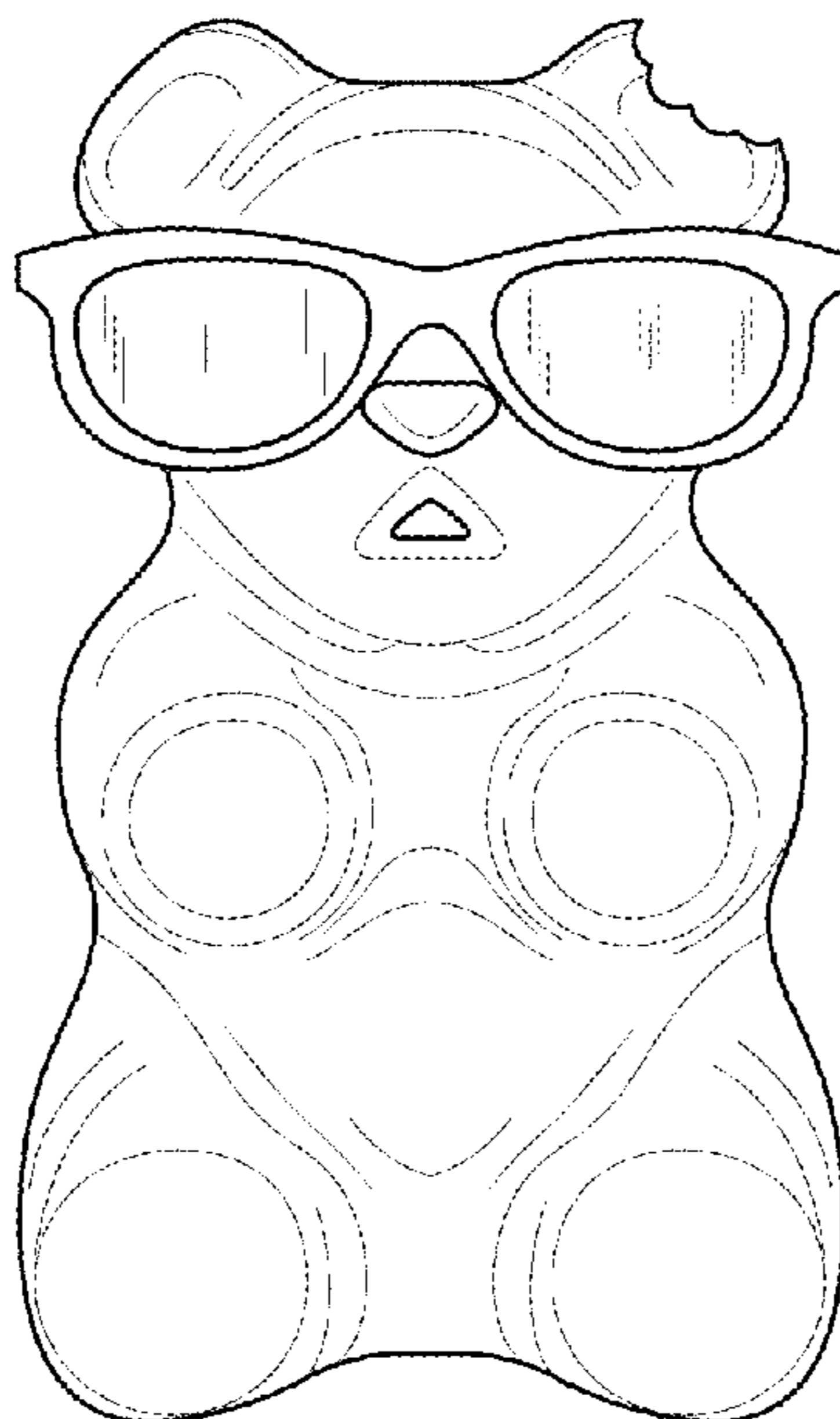
(57) **CLAIM**

The ornamental design for a bear-shaped container, substantially as shown and described.

DESCRIPTION

FIG. 1 is a front plan view of a bear-shaped container;
 FIG. 2 is a side plan view of a bear-shaped container with a hinged back in a closed position;
 FIG. 3 is a side plan view of a bear-shaped container with a hinged back in an open position;
 FIG. 4 is a front plan view of a bear-shaped container;
 FIG. 5 is a side plan view of a bear-shaped container with a hinged back in a closed position; and,
 FIG. 6 is a side plan view of a bear-shaped container with a hinged back in an open position.

1 Claim, 2 Drawing Sheets



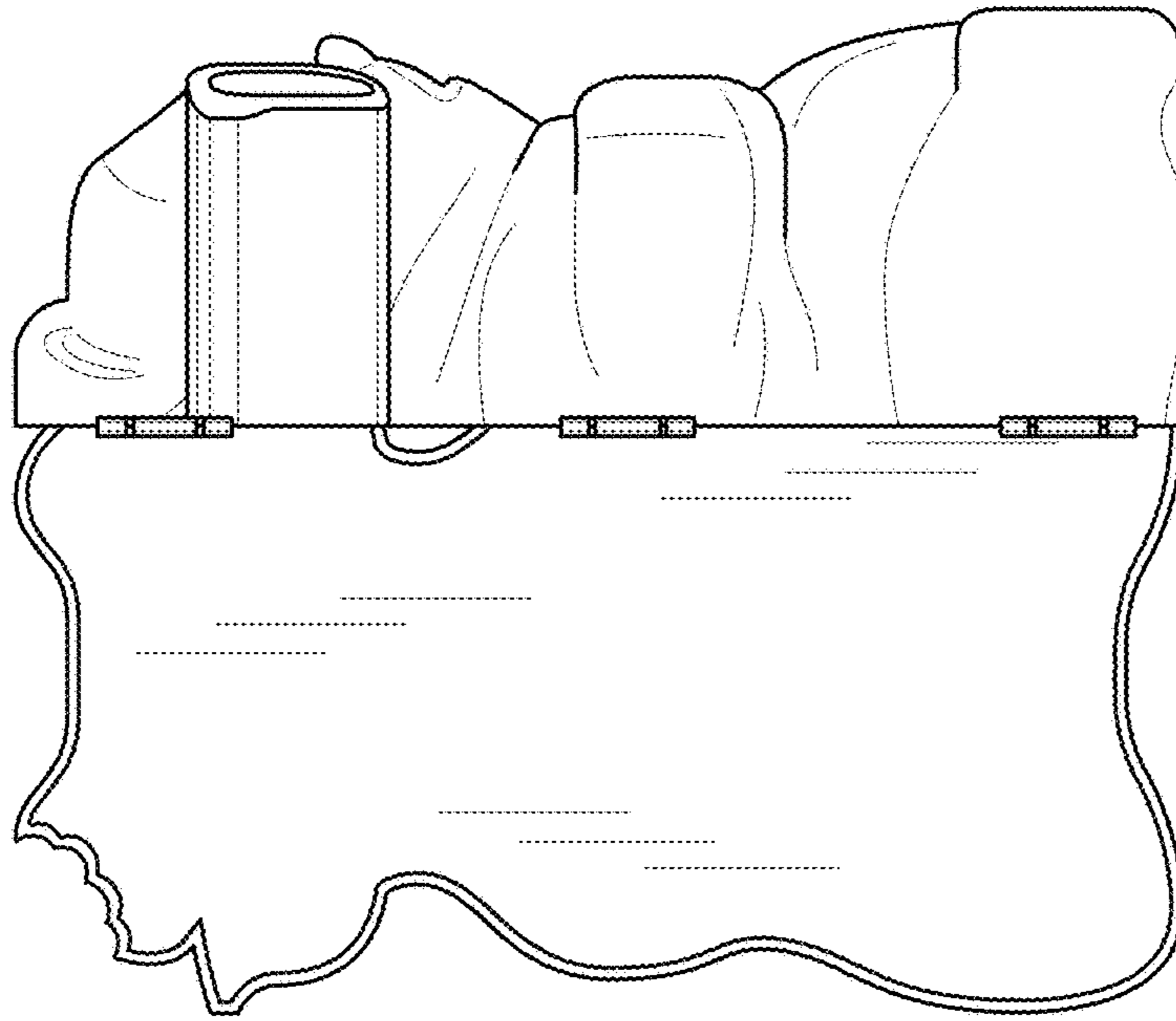


FIG. 1

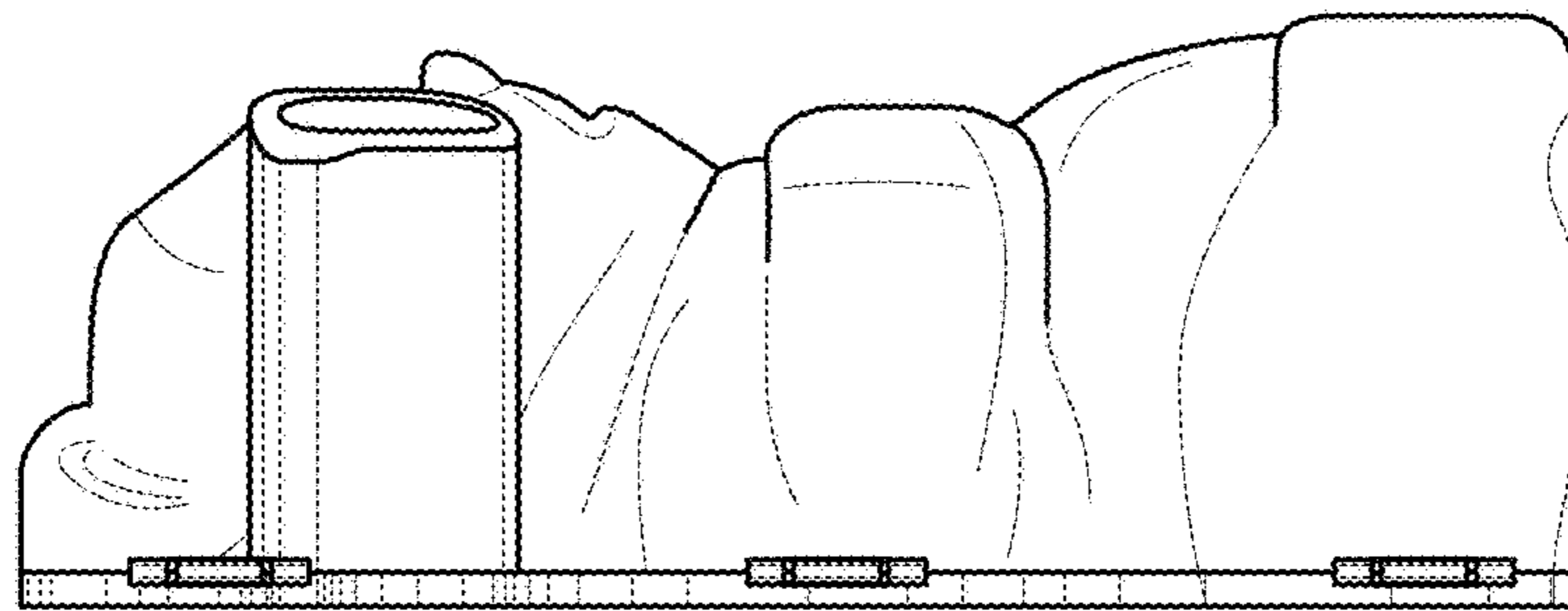


FIG. 2

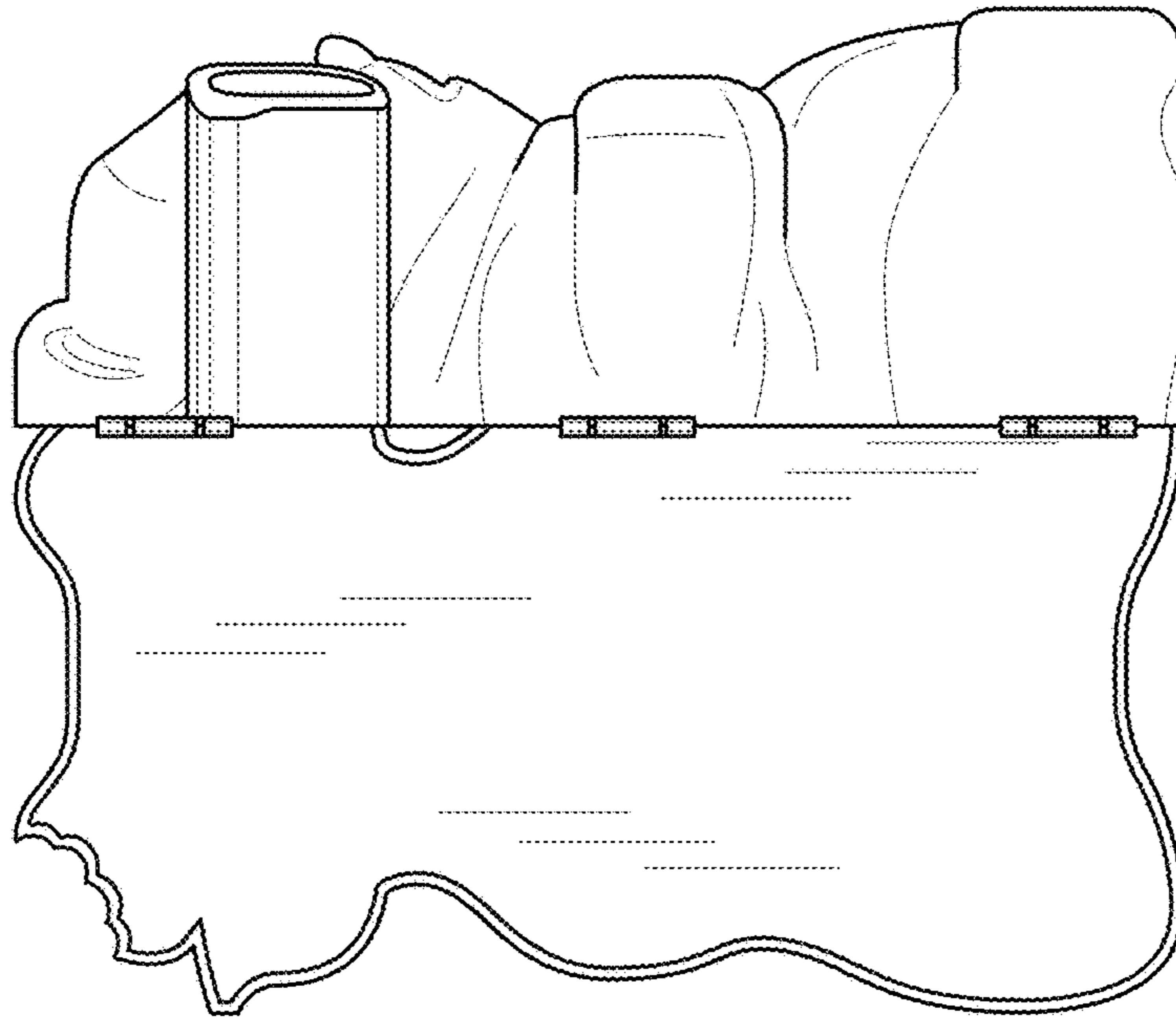


FIG. 3

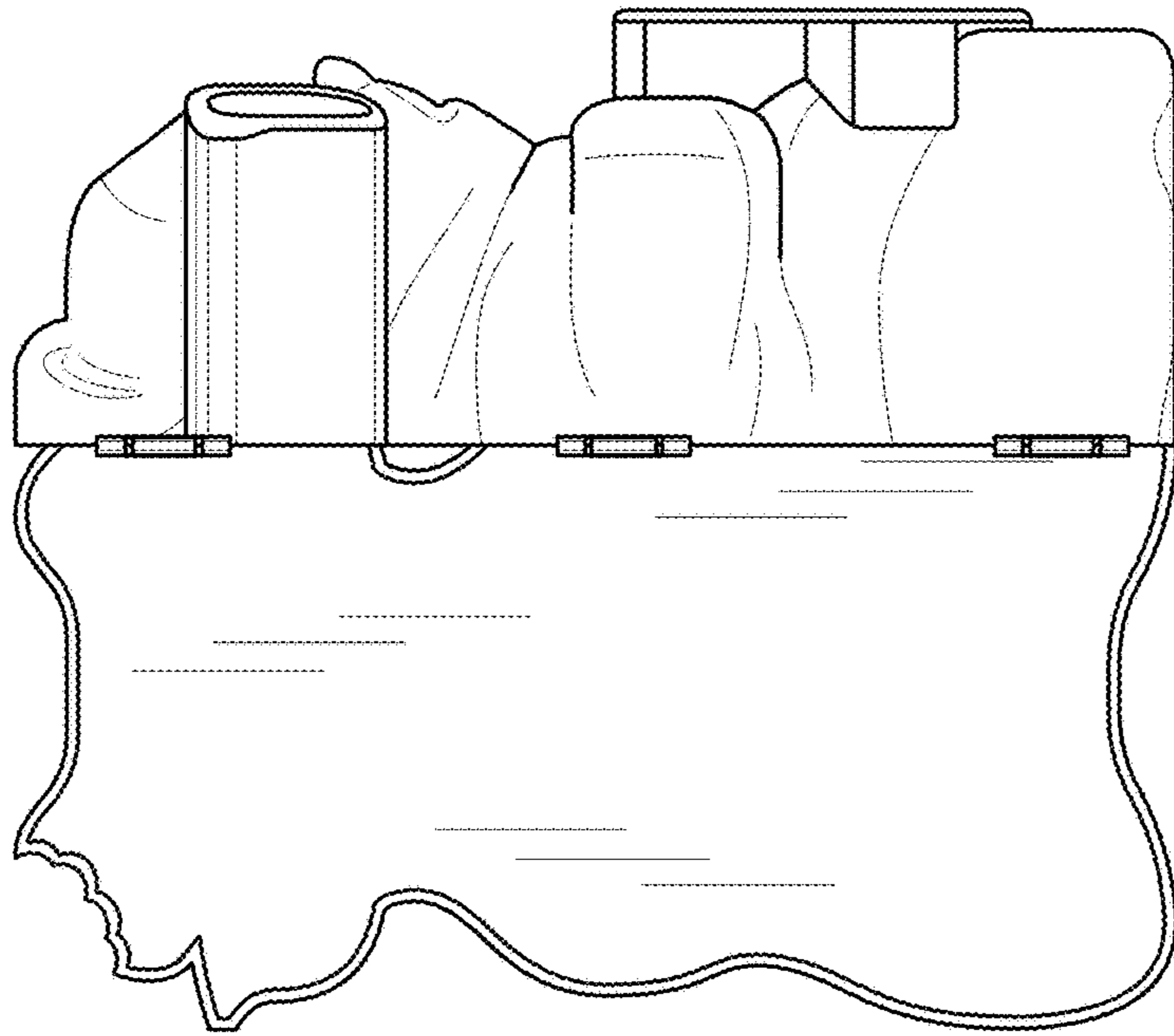


FIG. 6

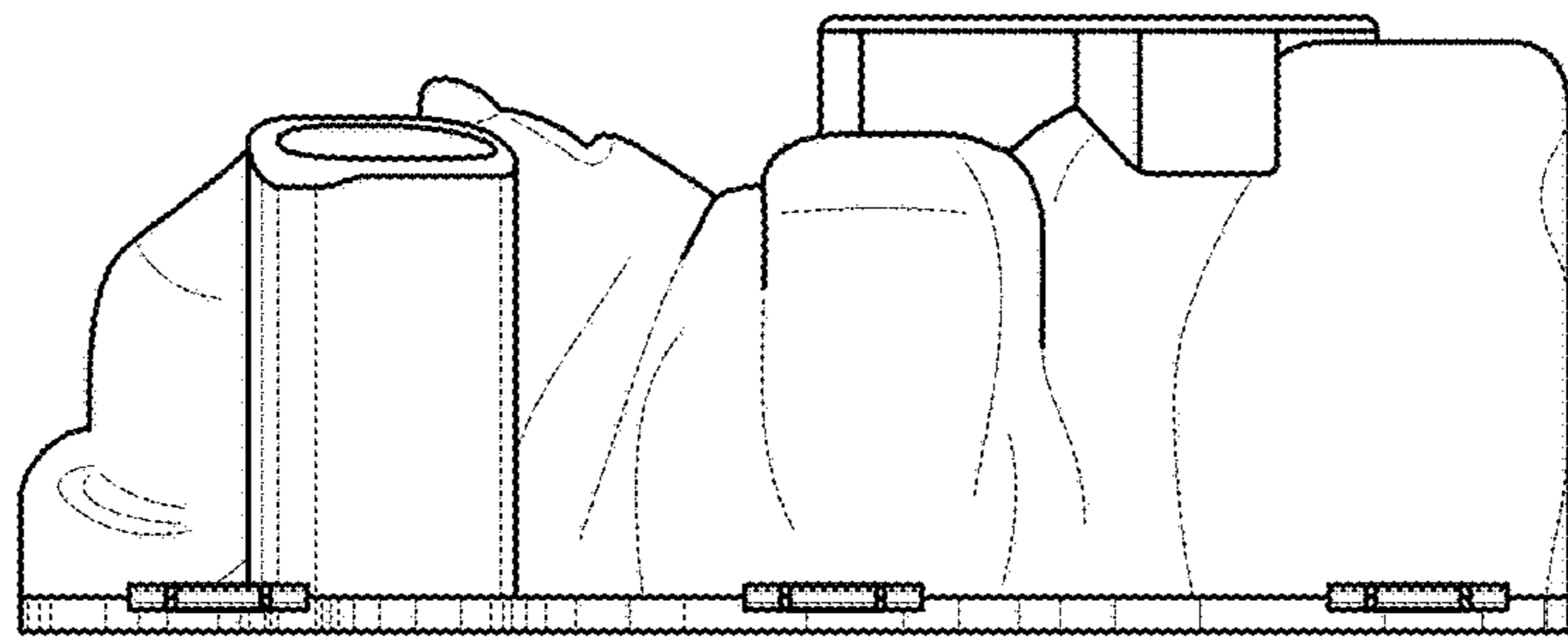


FIG. 5

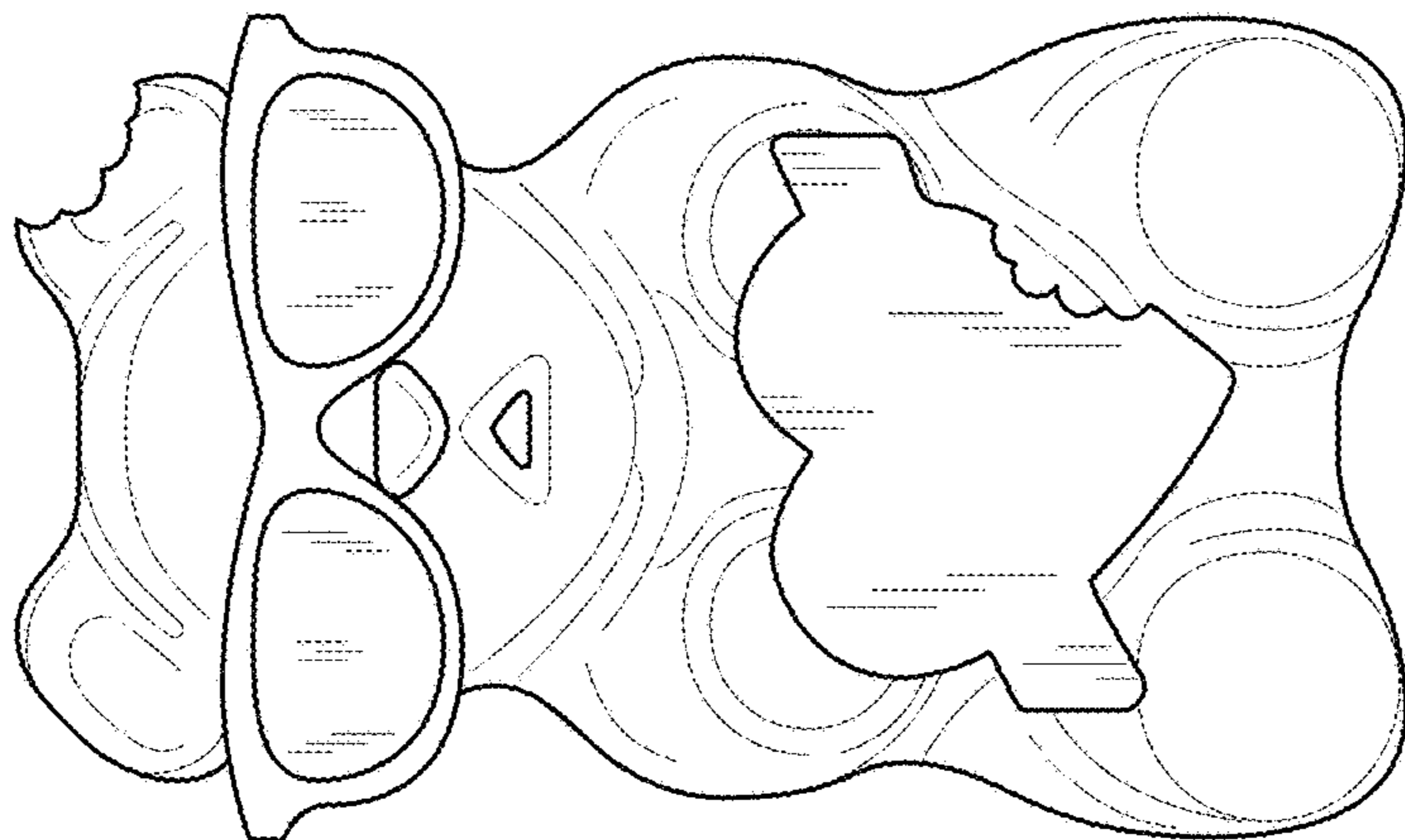


FIG. 4