



US00D789208S

(12) **United States Design Patent**  
**DeSantis**

(10) **Patent No.:** **US D789,208 S**

(45) **Date of Patent:** **\*\* Jun. 13, 2017**

- (54) **JAR**
- (71) Applicant: **Sophia DeSantis**, Carlsbad, CA (US)
- (72) Inventor: **Sophia DeSantis**, Carlsbad, CA (US)
- (\*\*) Term: **14 Years**
- (21) Appl. No.: **29/493,628**
- (22) Filed: **Jun. 11, 2014**
- (51) **LOC (10) Cl.** ..... **09-01**
- (52) **U.S. Cl.**  
USPC ..... **D9/557**; D9/547; D9/558
- (58) **Field of Classification Search**  
USPC ..... D9/434-435, 453, 454, 500, 502-505,  
D9/516, 547, 549, 557-558, 575, 715,  
D9/719; D24/224  
CPC ..... B65D 1/00; B65D 1/02; B65D 1/0207;  
B65D 1/0223; B65D 1/10; B65D 23/00;  
B65D 2501/00; B65D 2501/0009  
See application file for complete search history.

(56) **References Cited**

U.S. PATENT DOCUMENTS

D133,132 S *	7/1942	Nesset	.....	D9/547
2,670,868 A *	3/1954	Stover	.....	B65D 43/0222
				215/46
3,885,696 A *	5/1975	Eberhardt	.....	B65D 41/0464
				215/332
D264,182 S *	5/1982	Kemp	.....	D9/503
D273,461 S *	4/1984	Sevenoaks	.....	D9/500
D282,894 S *	3/1986	Watson	.....	D7/598
D284,269 S *	6/1986	Goettner	.....	D9/500
D315,409 S *	3/1991	Baarber	.....	D24/197
D338,832 S *	8/1993	Osip	.....	D9/500

D401,152 S *	11/1998	DeVore	.....	D9/500
D517,923 S *	3/2006	Iturriza	.....	D9/502
7,770,745 B2 *	8/2010	Weissmann	.....	B65D 1/10
				215/390
D631,355 S *	1/2011	Barsoumian	.....	D9/500
D655,571 S *	3/2012	Tuttle	.....	D7/510
2007/0210123 A1 *	9/2007	Penny	.....	B65D 25/42
				222/566

\* cited by examiner

*Primary Examiner* — Dana L Meyrow

(74) *Attorney, Agent, or Firm* — Eric Hanscom; Todd J. Langford

(57) **CLAIM**

The ornamental design for a jar, as shown and described.

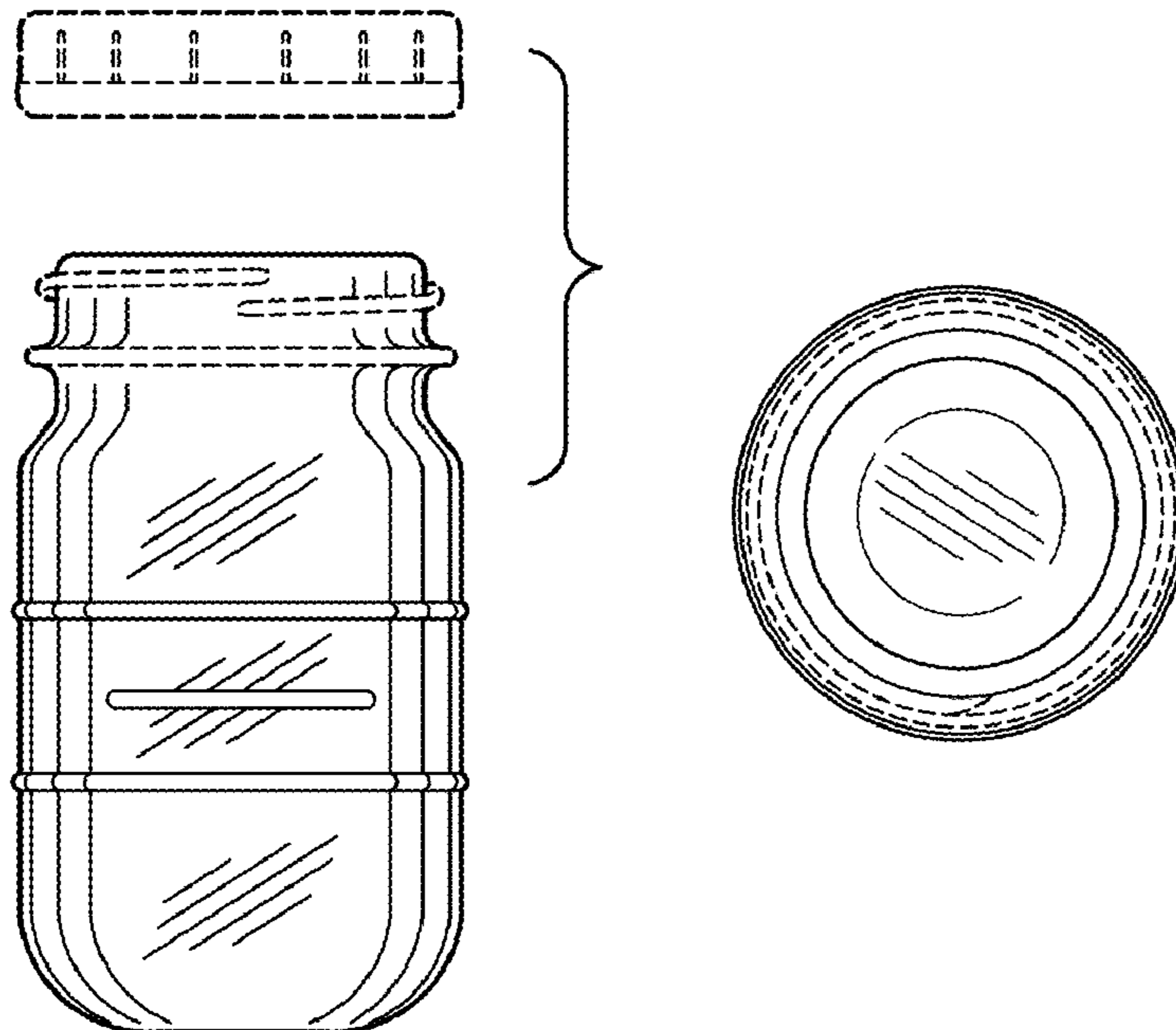
**DESCRIPTION**

FIG. 1 is an exploded top perspective view of a jar showing my new design;  
 FIG. 2 is an exploded front elevation view thereof;  
 FIG. 3 is an exploded rear elevation view thereof;  
 FIG. 4 is a top plan view of the jar shown with the unclaimed closure removed;  
 FIG. 5 is a bottom plan view thereof, the opposing side details omitted for ease of understanding;  
 FIG. 6 is an exploded right side elevation view thereof;  
 FIG. 7 is an exploded left side elevation view thereof; and,  
 FIG. 8 is a top plan view of unclaimed closure shown with the jar removed.

The broken lines in the drawings illustrate the portions of the jar that form no part of the claim.

The application relates to the design of a jar which is used for creating steel oat combinations using lines on the jar for measuring the specific quantities of each item.

**1 Claim, 3 Drawing Sheets**



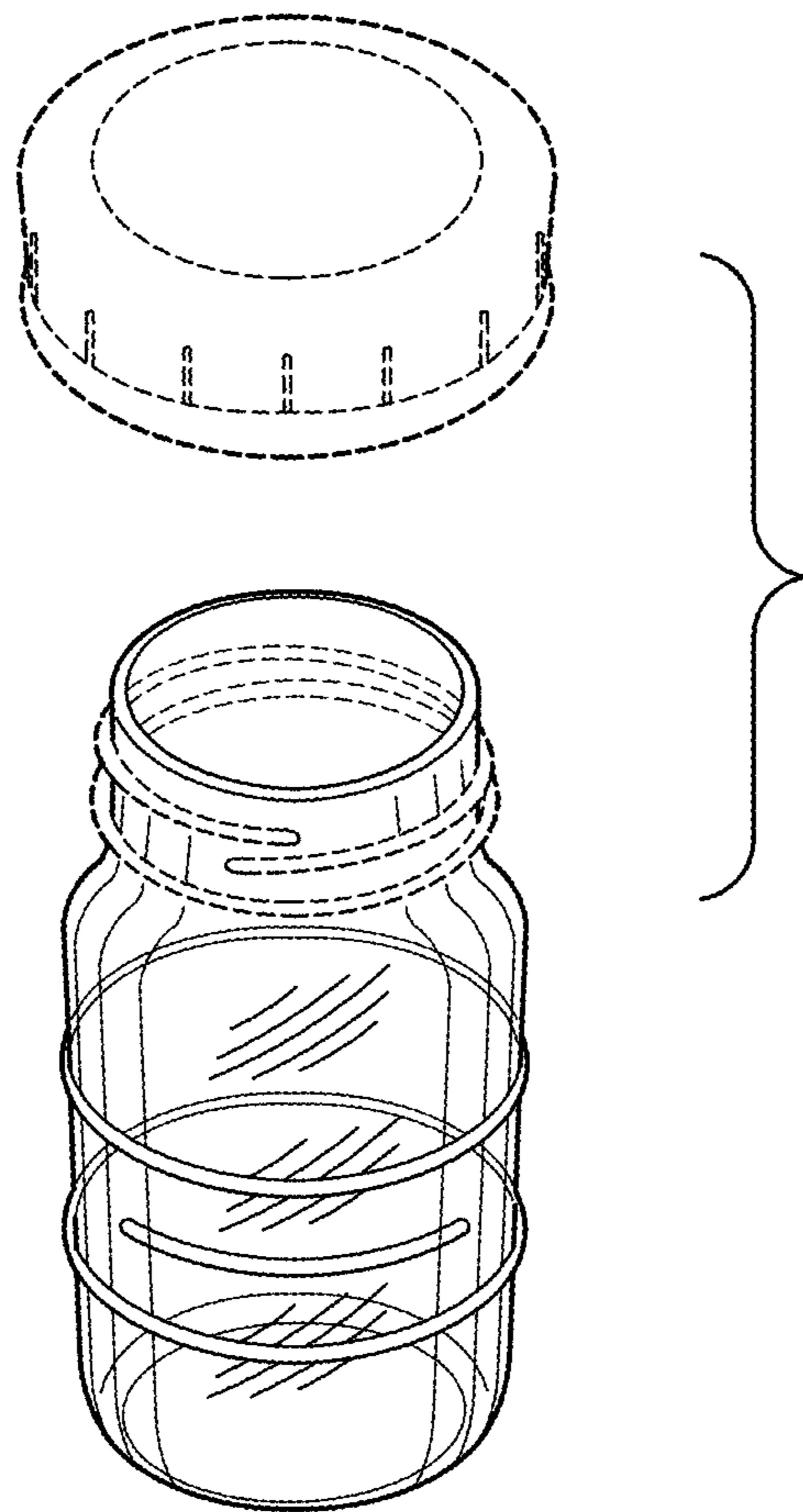


FIG. 1



FIG. 4

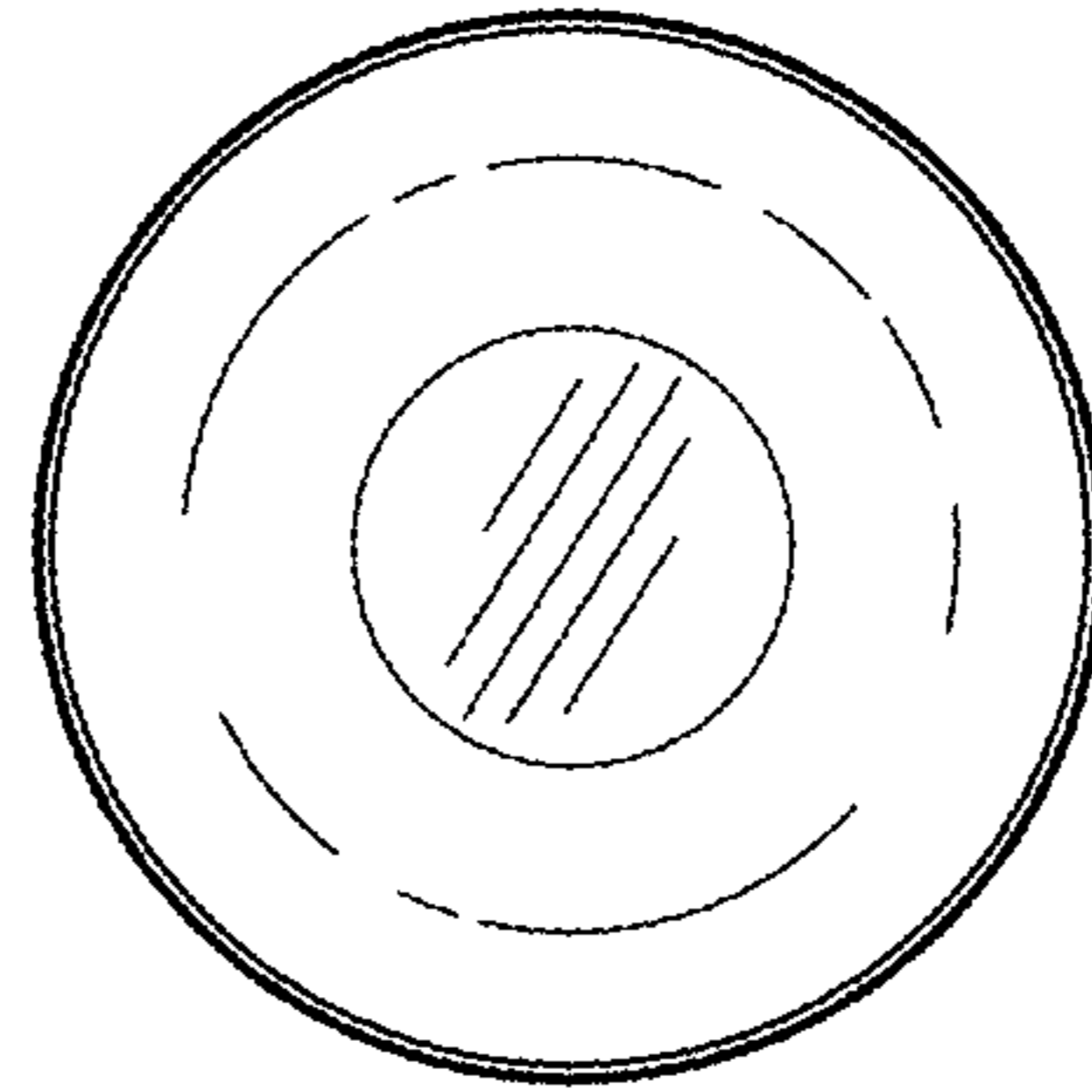


FIG. 5

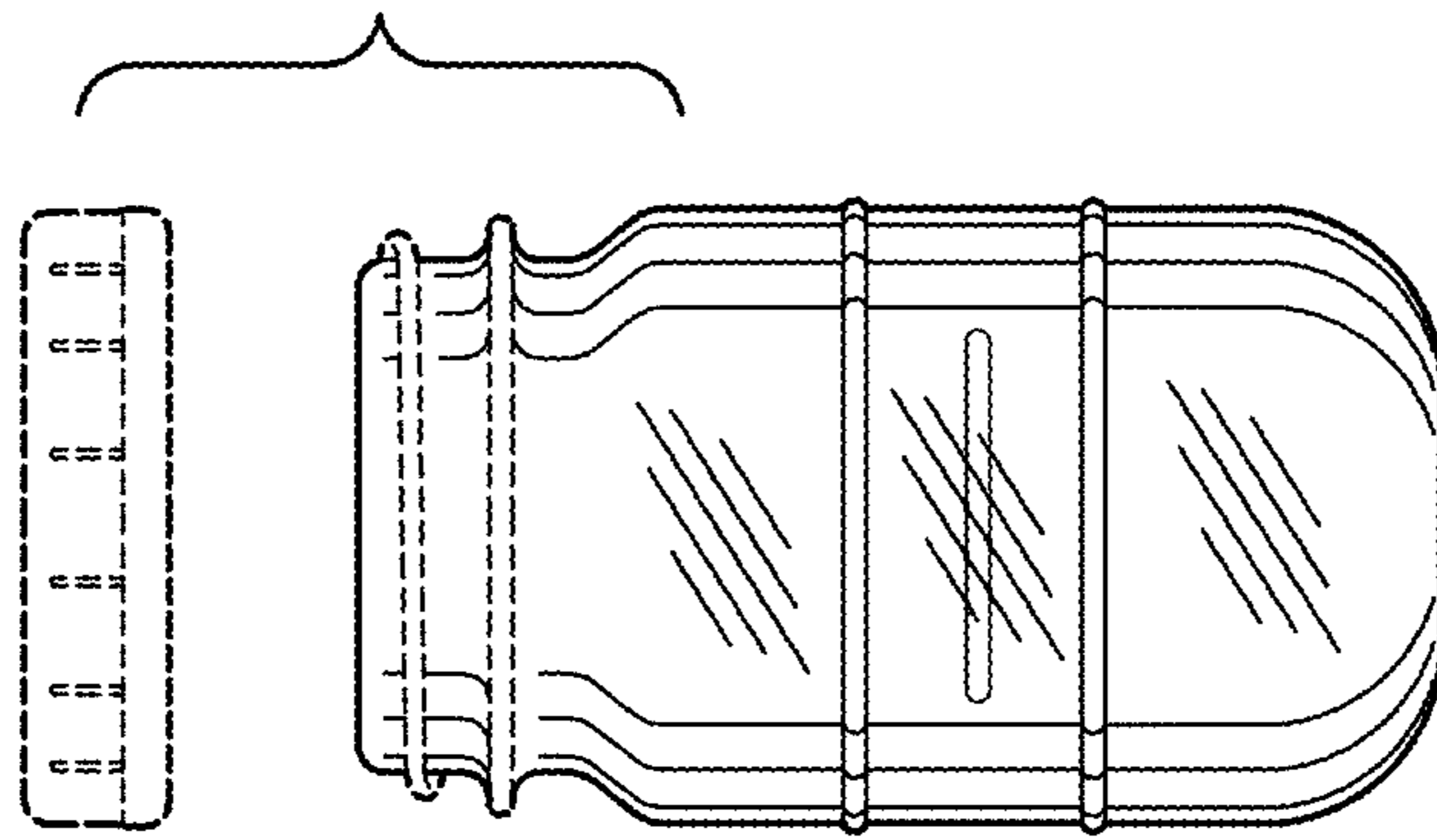


FIG. 3

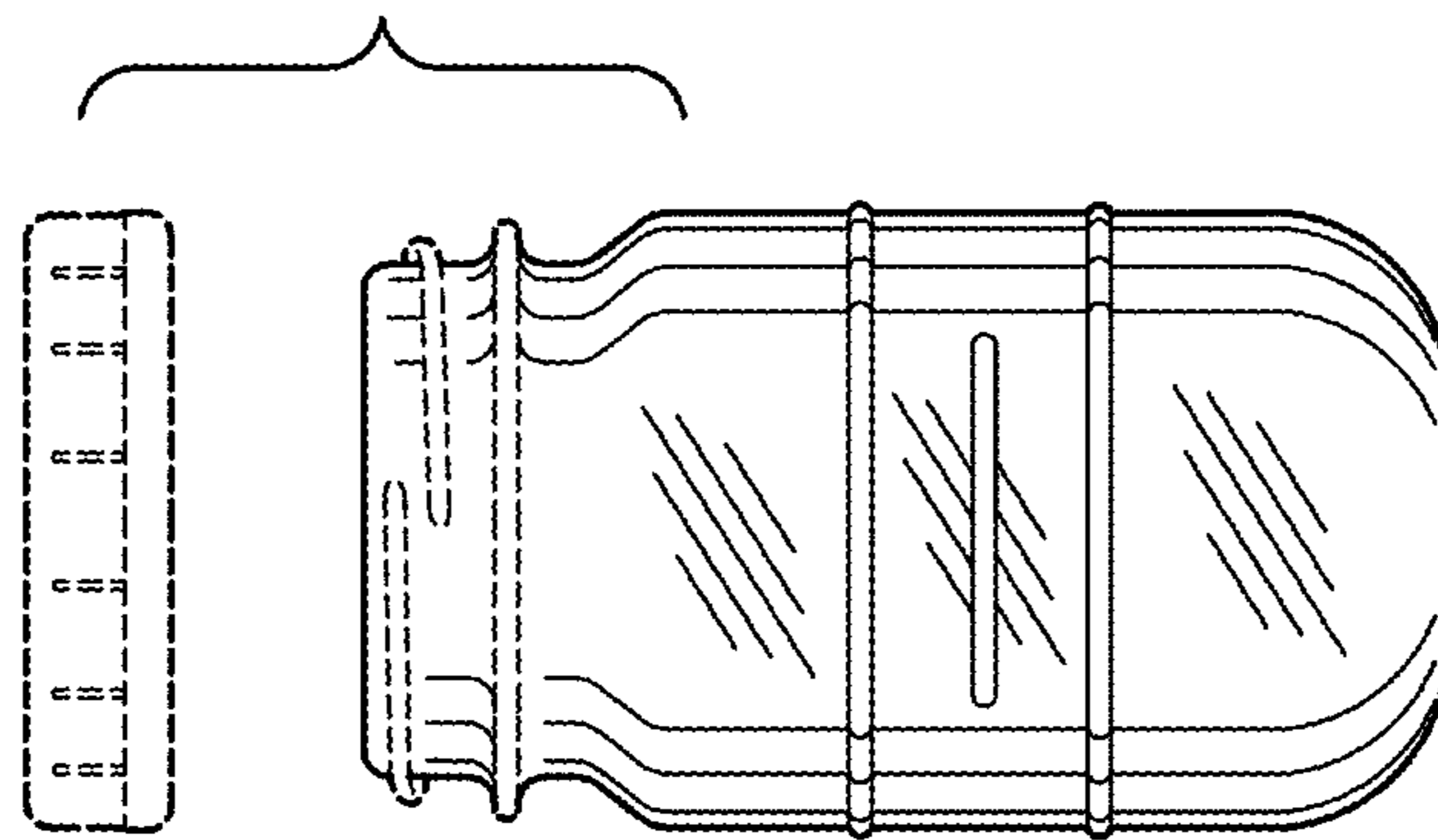


FIG. 2

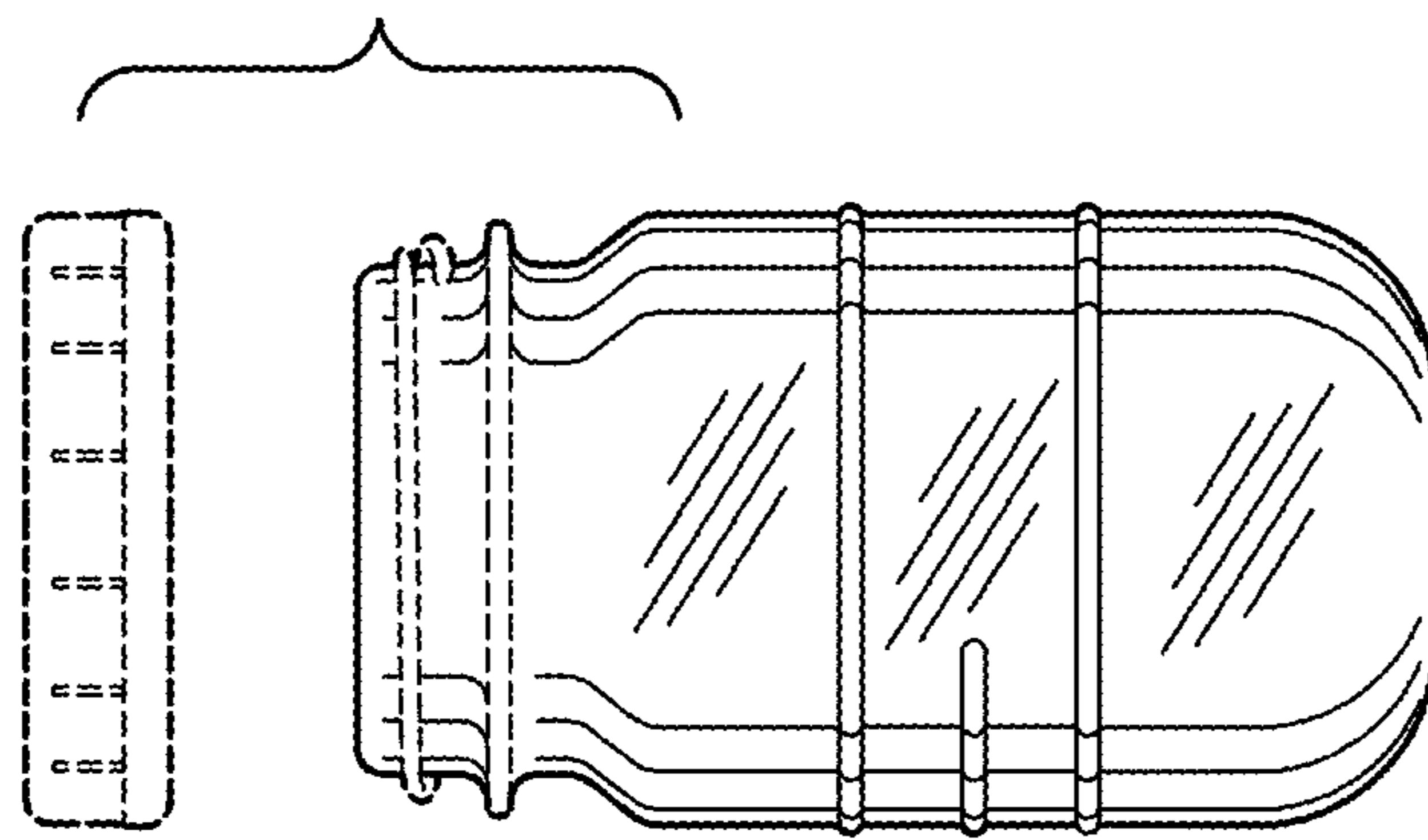


FIG. 6

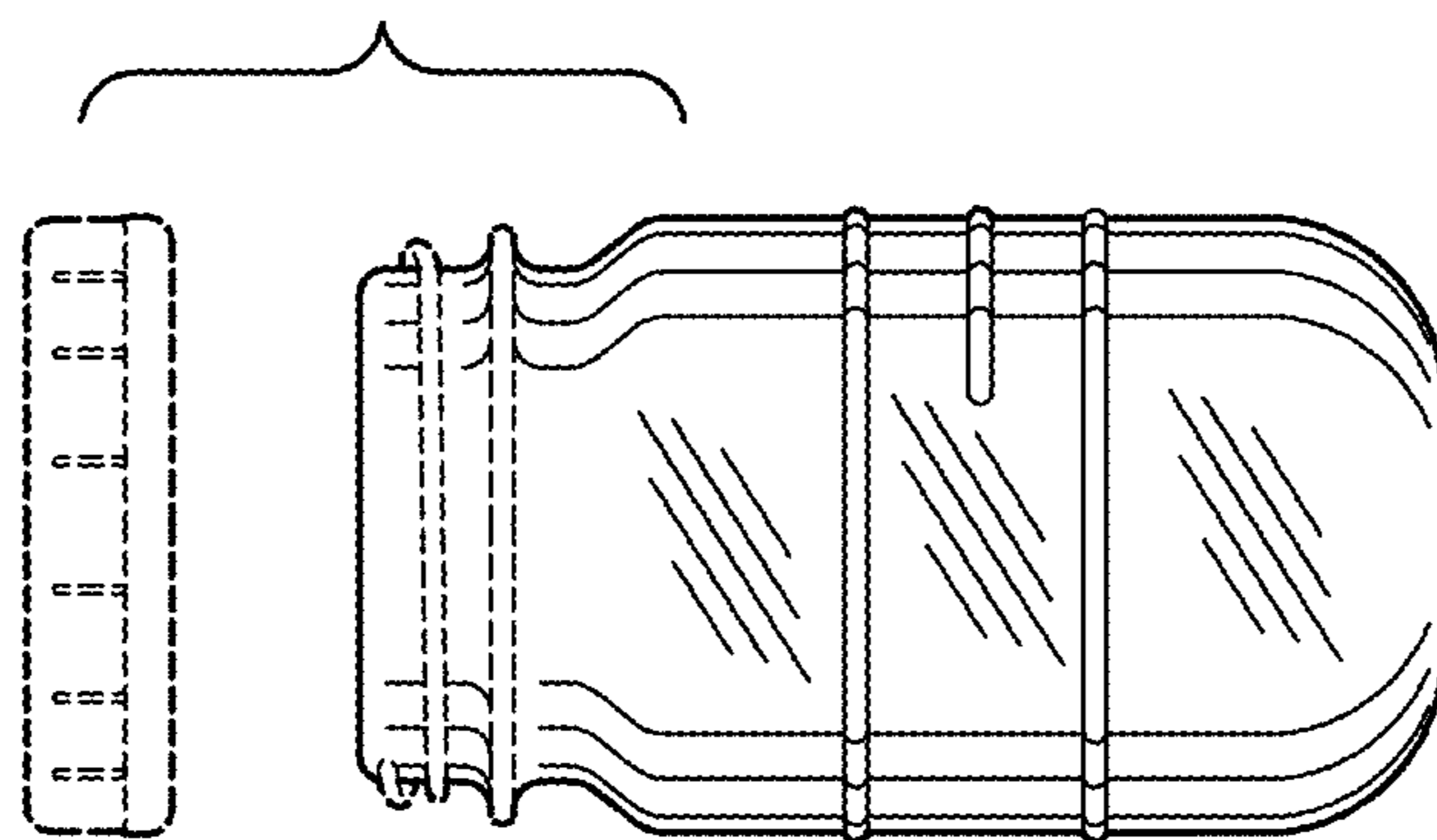


FIG. 7

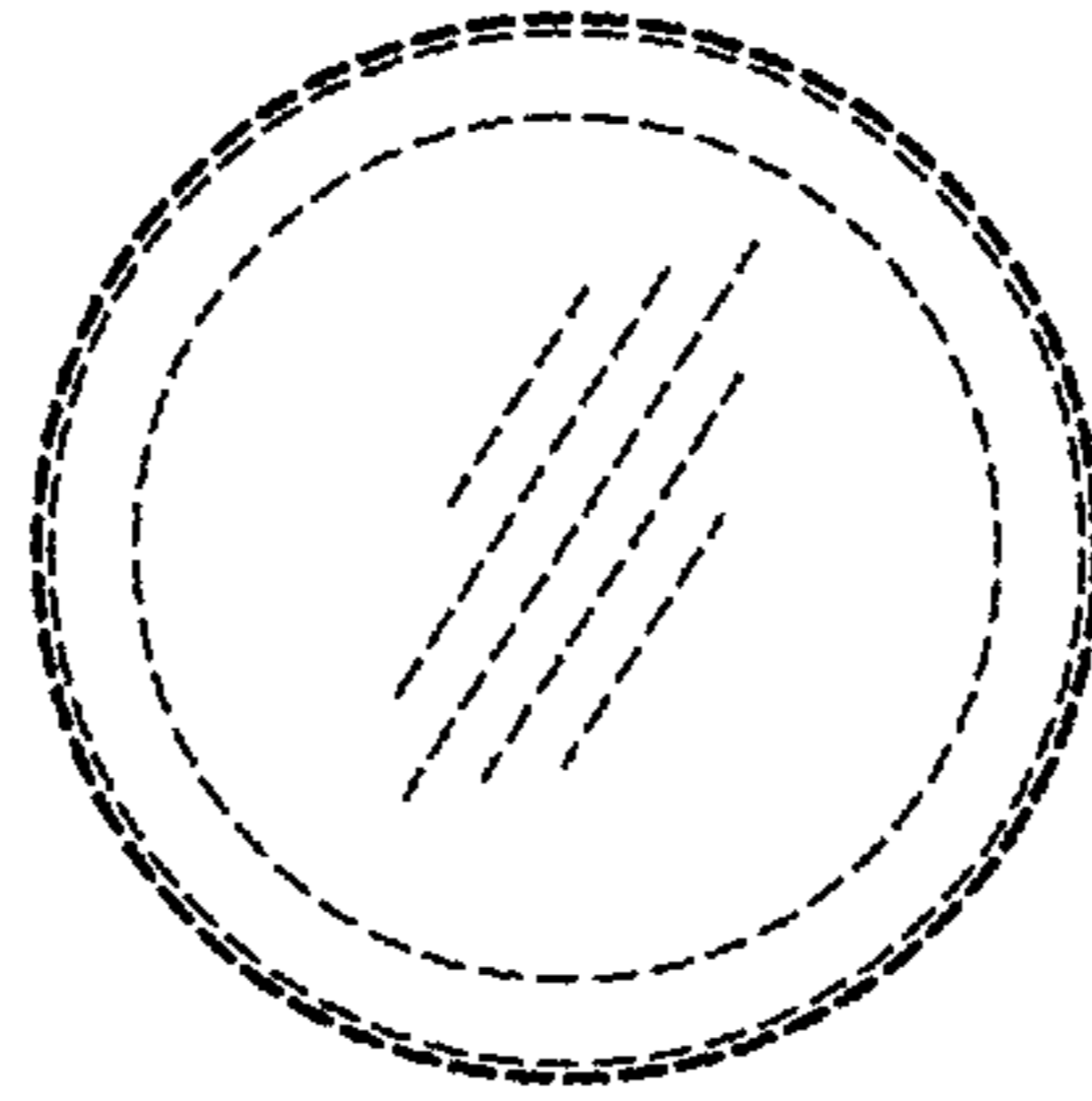


FIG. 8