



US00D789206S

(12) **United States Design Patent**
Chen

(10) **Patent No.:** **US D789,206 S**

(45) **Date of Patent:** **** Jun. 13, 2017**

(54) **BOTTLE**

(71) Applicant: **Fang-Pin Chen**, Chia Yi Hsien (TW)

(72) Inventor: **Fang-Pin Chen**, Chia Yi Hsien (TW)

(**) Term: **14 Years**

(21) Appl. No.: **29/512,572**

(22) Filed: **Dec. 19, 2014**

(51) **LOC (10) Cl.** **09-01**

(52) **U.S. Cl.**

USPC **D9/542**

(58) **Field of Classification Search**

USPC D9/435, 436, 440, 445, 447, 449, 450,
D9/453, 452, 442, 500-505, 520-522,
D9/529, 571, 550, 556, 546, 562-572,
D9/512, 530, 532-543, 548, 516, 574,
D9/575, 526, 558-561, 565-567, 569,
D9/519, 726-729, 740, 746, 764, 738,
D9/752, 759, 767, 772-783, 904;
D3/202, 203.1-203.4, 203.7; D28/82,
D28/4-8; D19/66, 115-179; D7/396.2,
D7/509-511, 523, 590; D6/515, 542;
D14/114, 485; D24/119, 197; D34/1, 2
CPC B65D 88/54; B65D 83/00; B65D 83/04;
B65D 11/04; B65D 11/00; B65D 90/02;
B65D 90/12; B65D 23/102; B65D
21/024; B65D 1/42; B65D 1/46; B65D
1/02; B65D 1/0207; B65D 1/023; B65D
1/04; B65D 1/10; B65D 1/12; B65D
1/14; B65D 1/16; B65D 1/165; B65D
1/18; B65D 1/0246; B65D 1/0238; B65D
1/0223; B65D 1/0215; B65D 13/02;
B65D 23/00; B65D 35/00; B65D 35/02;
B65D 35/04; B65D 35/56; B65D 35/08;
B65D 39/00; B65D 39/0005; B65D
39/0029; B65D 41/0428; B65D 41/04;
B65D 41/0435; B65D 41/0442; B65B
7/28; A61J 9/00; A45F 5/00; B29C
33/005

See application file for complete search history.

(56) **References Cited**

U.S. PATENT DOCUMENTS

D347,790 S * 6/1994 Lathrop D9/523
D347,791 S * 6/1994 Lathrop D9/453
5,913,434 A * 6/1999 Fukuhara B65D 41/0428
215/321
D430,804 S * 9/2000 Bulsink D9/540

(Continued)

OTHER PUBLICATIONS

“Bactine Pain Relieving Cleansing Spray, 5 oz” Apr. 12, 2013,
amazon.com, site visited Nov. 16, 2016 <https://www.amazon.com/Bactine-Pain-Relieving-Cleansing-Spray/dp/B0006G2XDU/ref=sr_1_3_a_it?ie=UTF8&qid=1479342430&sr=8-3&keywords=antiseptic+spray>.*

(Continued)

Primary Examiner — Kevin Rudzinski

Assistant Examiner — Paul Bohannon

(74) *Attorney, Agent, or Firm* — Symbus Law Group,
LLC; Clifford D. Hyra

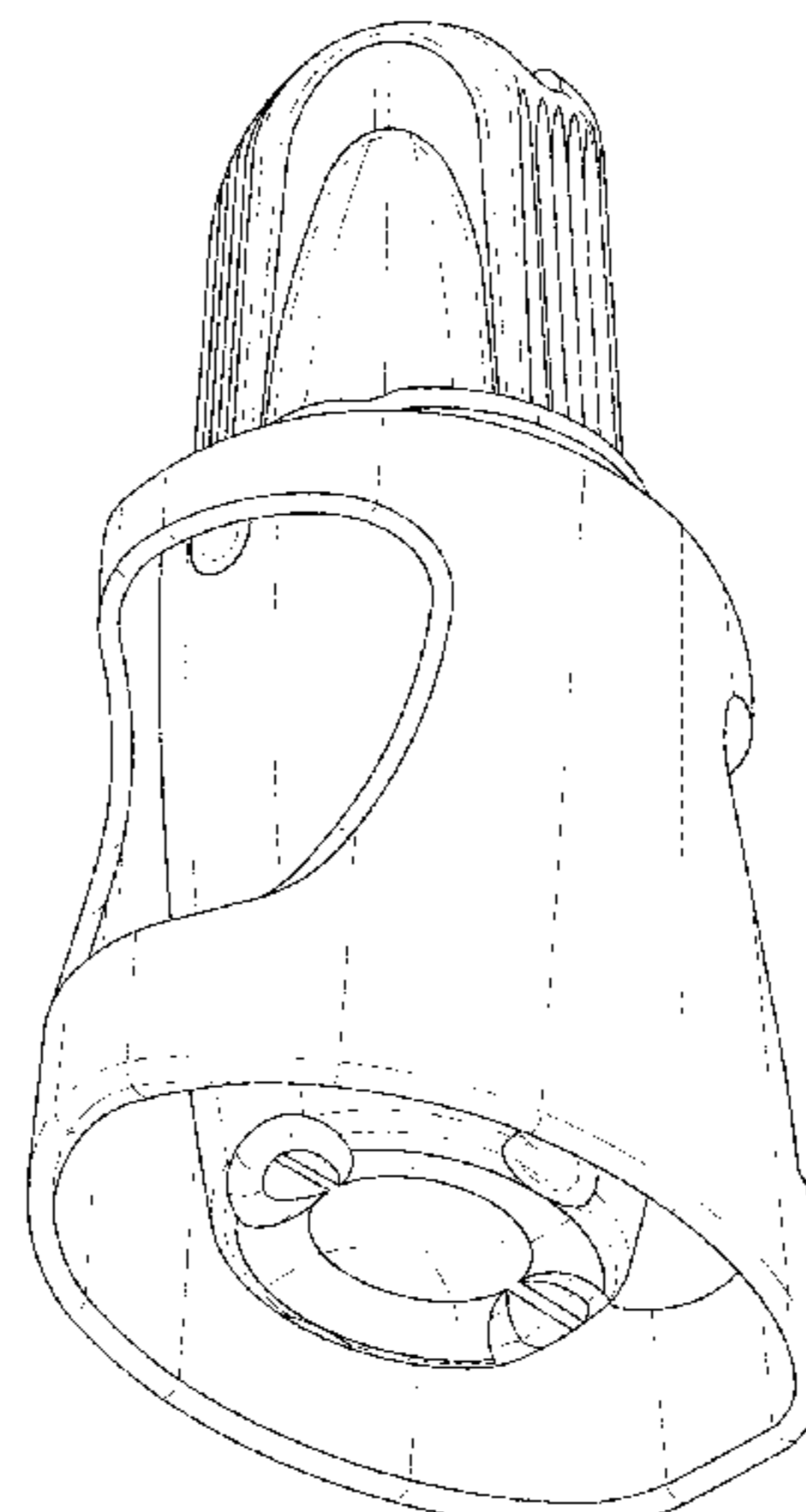
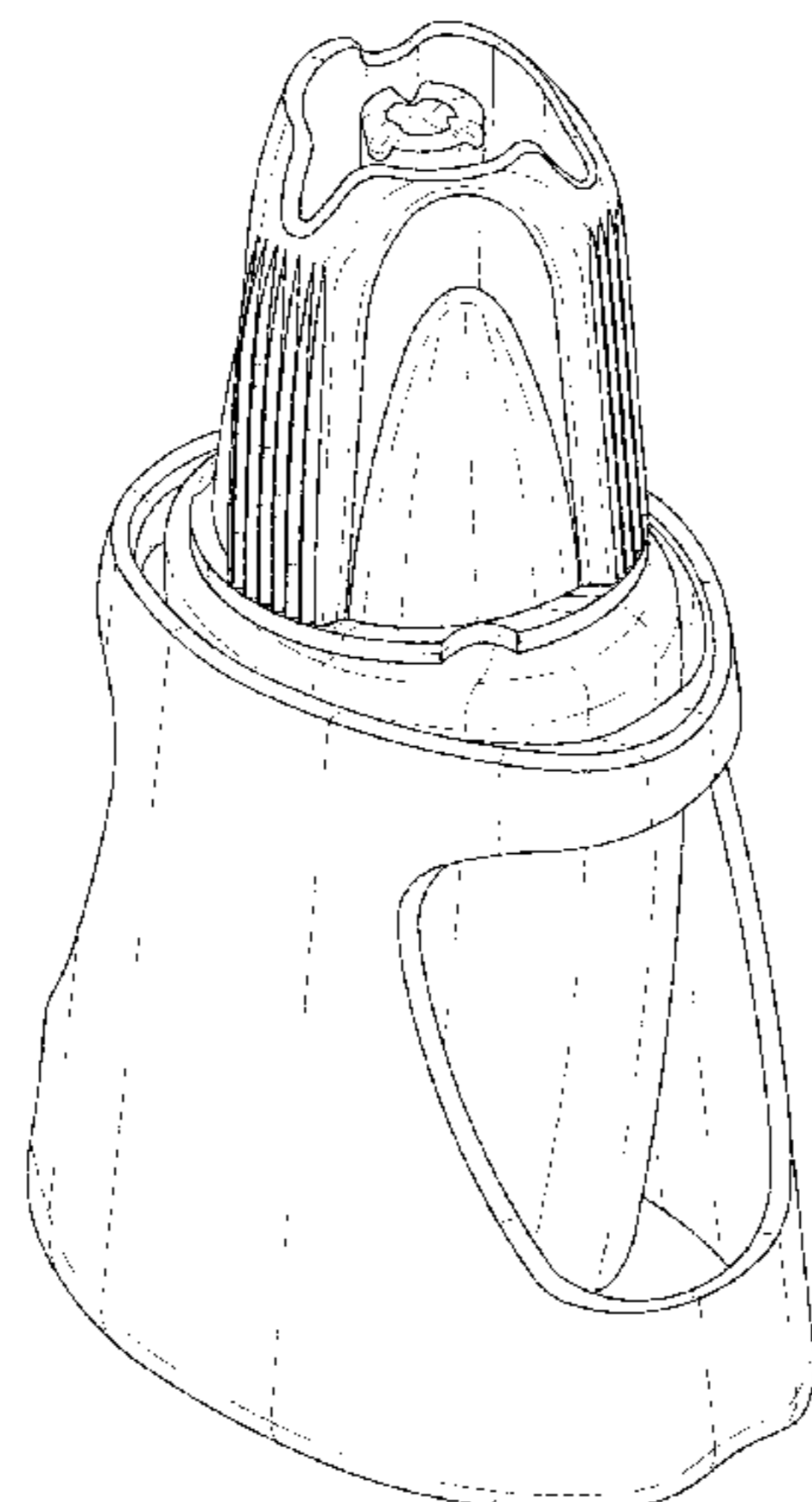
(57) **CLAIM**

The ornamental design for a bottle, as shown and described.

DESCRIPTION

FIG. 1 is a front view of a bottle showing my new design;
FIG. 2 is a rear view thereof;
FIG. 3 is a right side view thereof;
FIG. 4 is a left side view thereof;
FIG. 5 is a top view thereof;
FIG. 6 is bottom view thereof;
FIG. 7 is a perspective view thereof showing the top, front,
and right sides;
FIG. 8 is a perspective view thereof showing the bottom,
rear and left sides; and,
FIG. 9 is a perspective view thereof showing the top and
front sides.

1 Claim, 8 Drawing Sheets



(56)

References Cited

U.S. PATENT DOCUMENTS

D614,502 S * 4/2010 Verdura D9/543
D614,964 S * 5/2010 Verdura D9/543
D616,751 S * 6/2010 Ko D9/522
D674,701 S * 1/2013 Claassen D9/453
D705,069 S * 5/2014 Crisanti D9/522
8,714,407 B2 * 5/2014 Frank B65D 35/28
222/103
D714,648 S * 10/2014 Kersten D9/445
2004/0124117 A1 * 7/2004 De Laforcade A45D 19/02
206/581
2015/0239638 A1 * 8/2015 Lee B65D 51/285
206/222

OTHER PUBLICATIONS

“Loctite Ultra Gel Control Super Glue 4-Gram” May 28, 2010,
amazon.com, site visited Nov. 18, 2016 <https://www.amazon.com/Loctite-Ultra-Control-4-Gram-1363589/dp/B003Y49R7G/ref=sr_1_1?ie=UTF8&qid=1479508652&sr=8-1&keywords=loctite+super+glue#customerReviews>.*

* cited by examiner

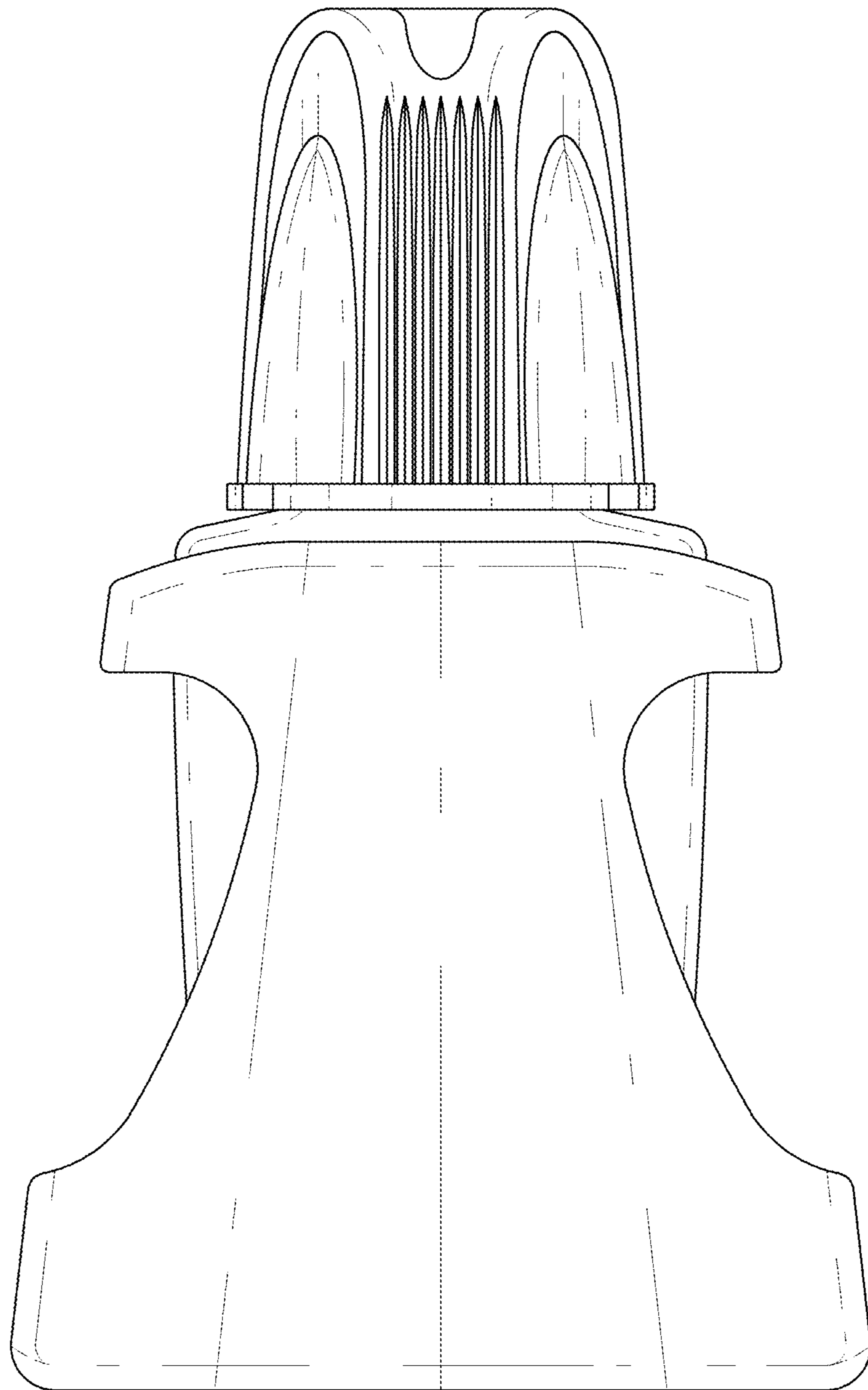


FIG. 1

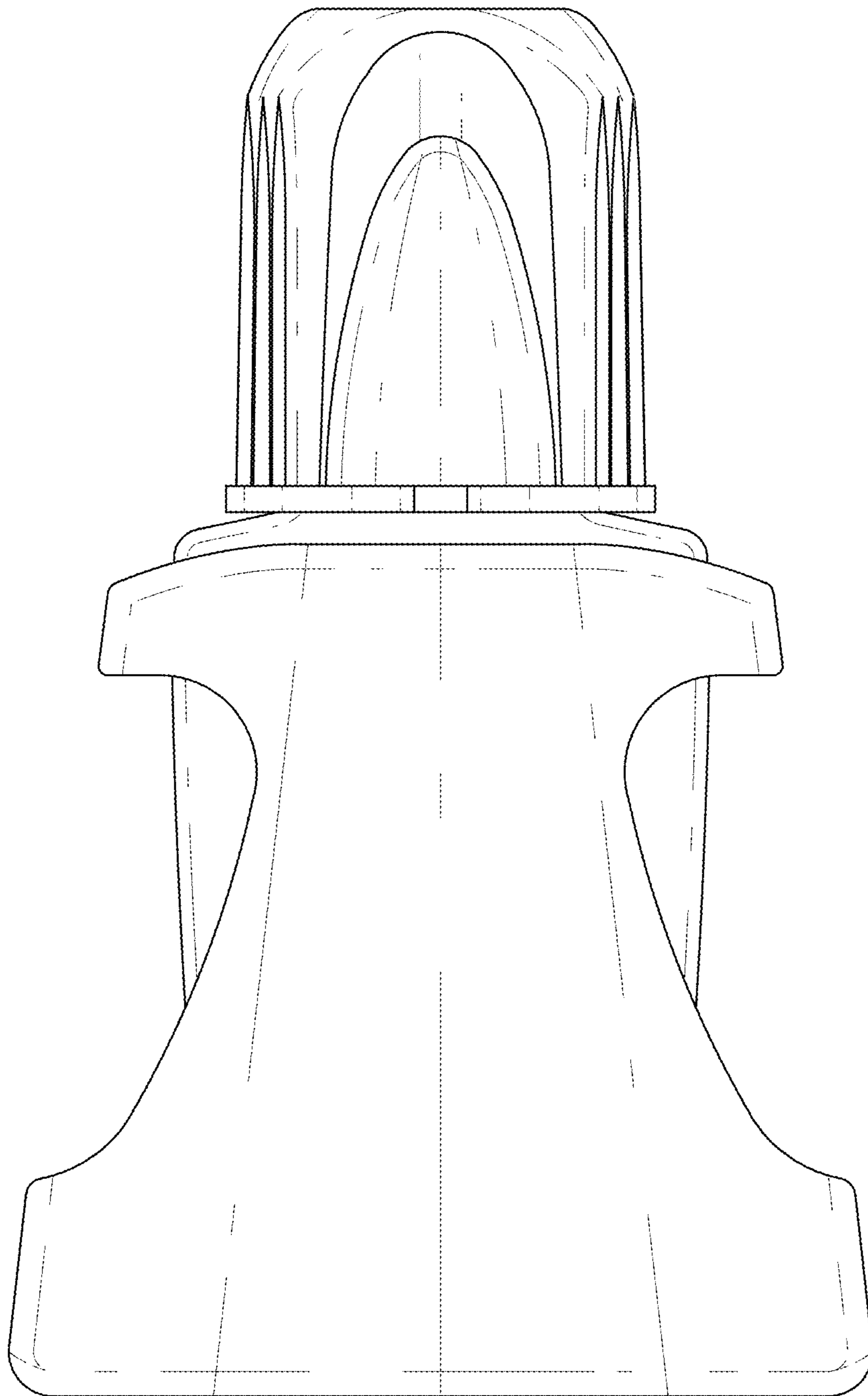


FIG. 2

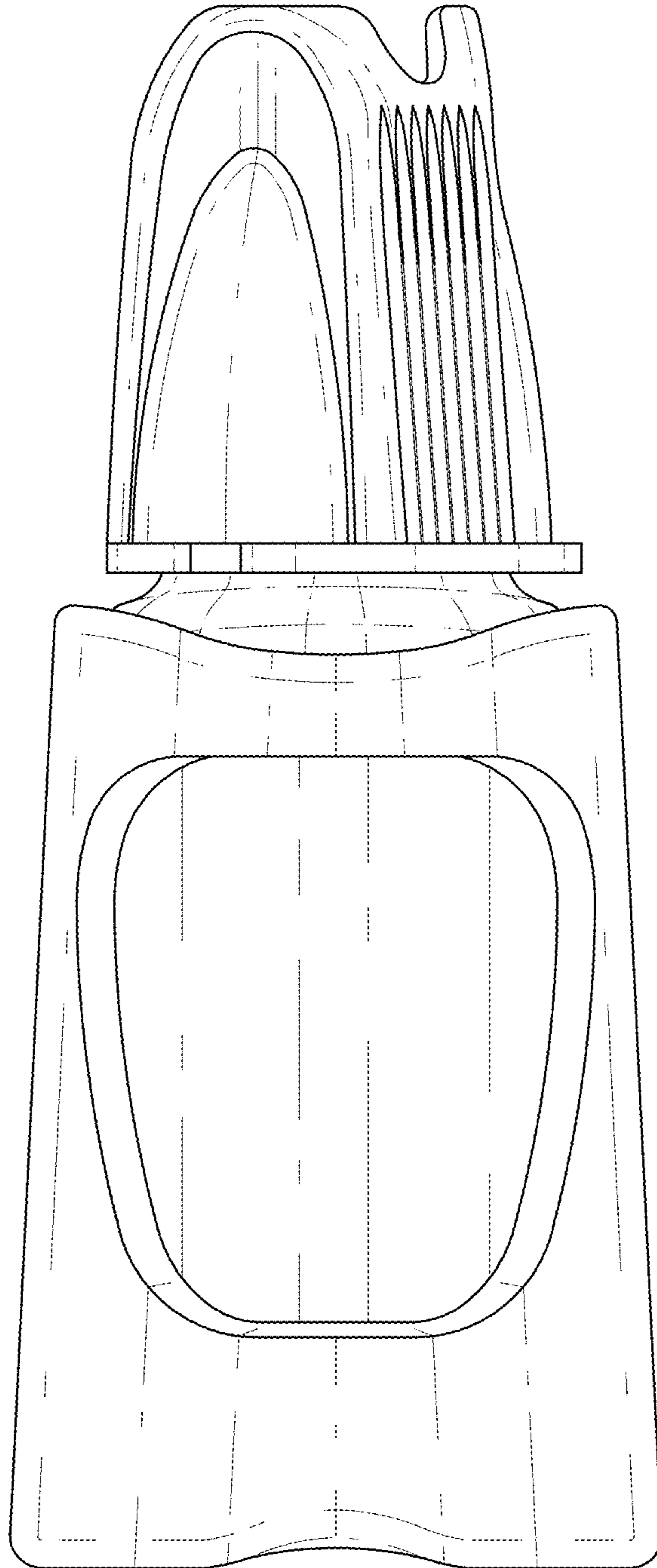


FIG. 3

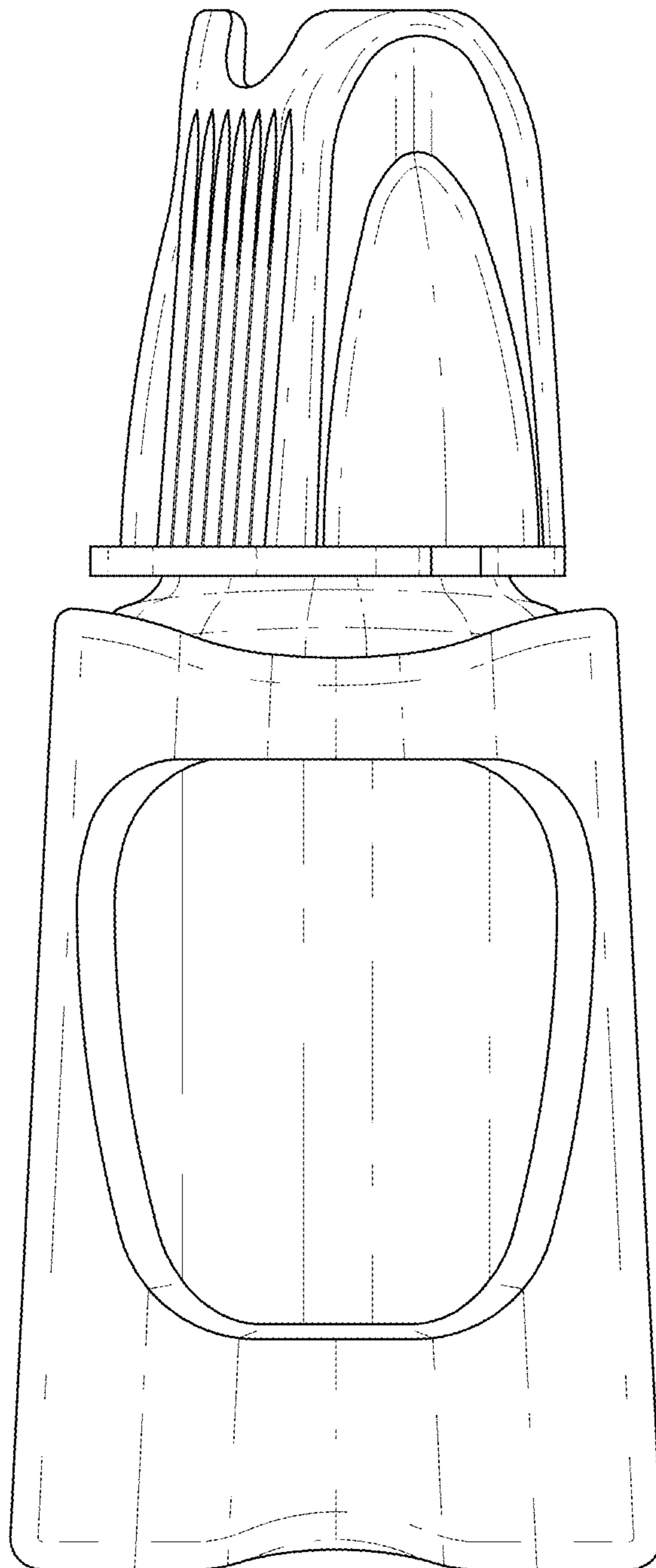


FIG. 4

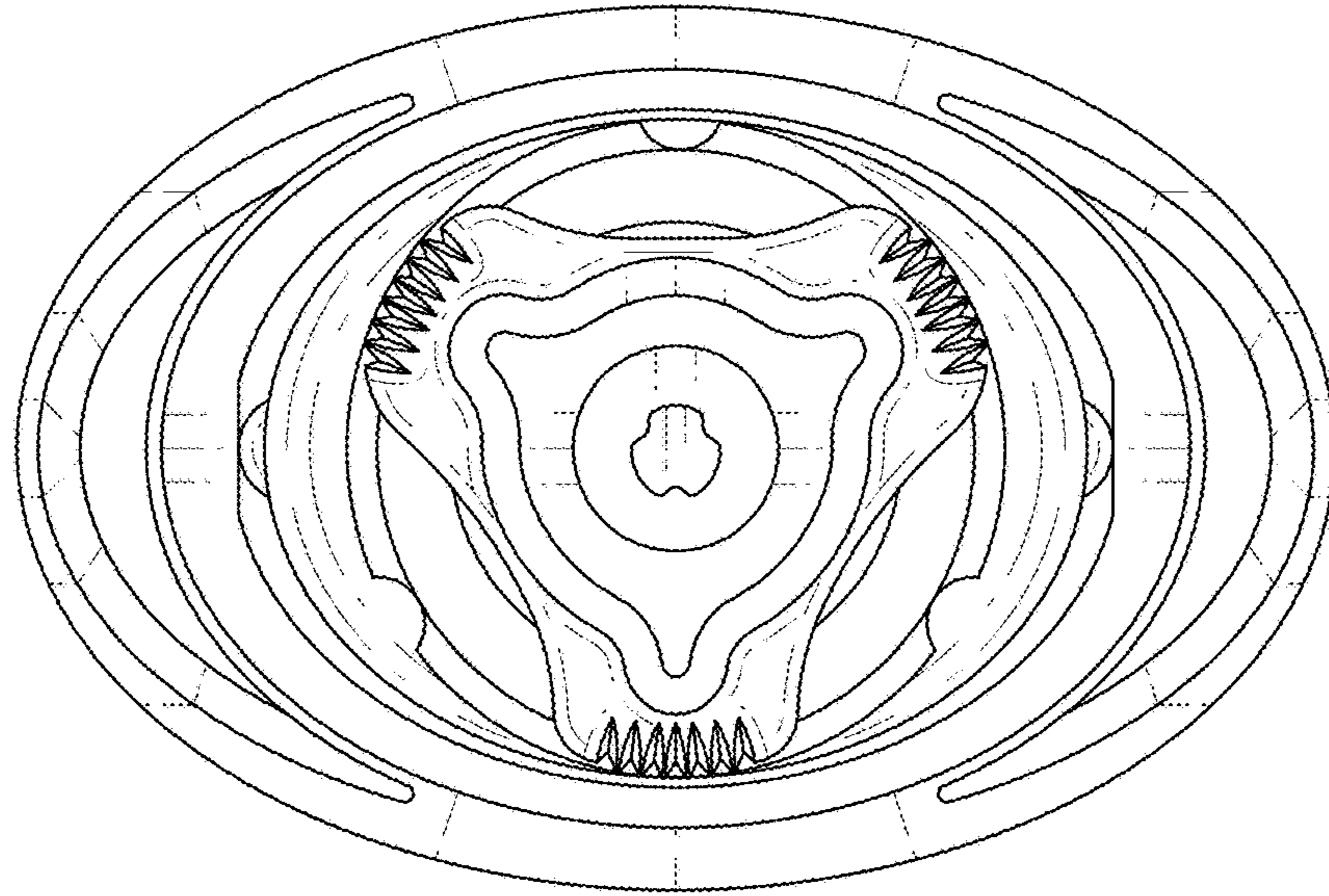


FIG. 5

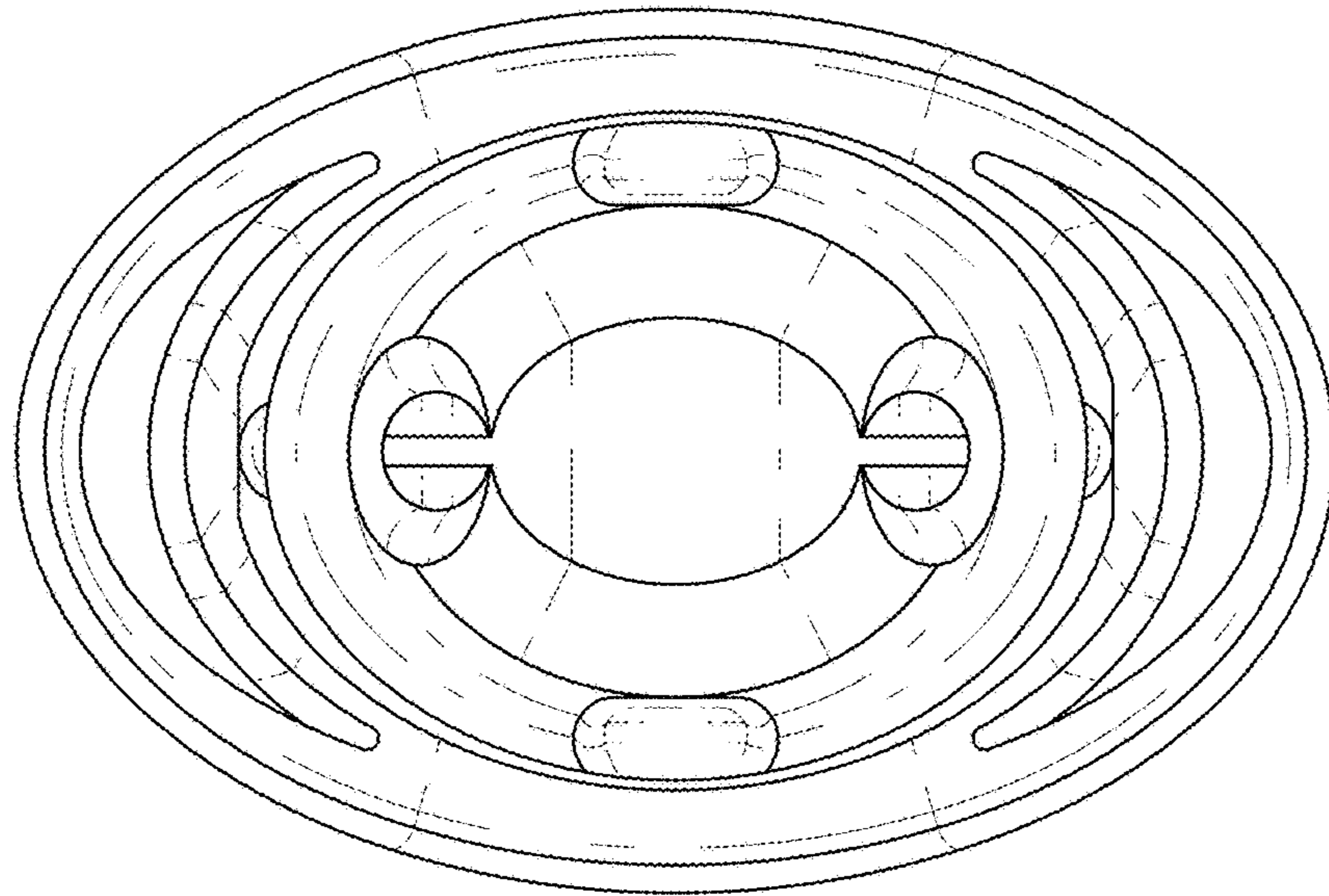


FIG. 6

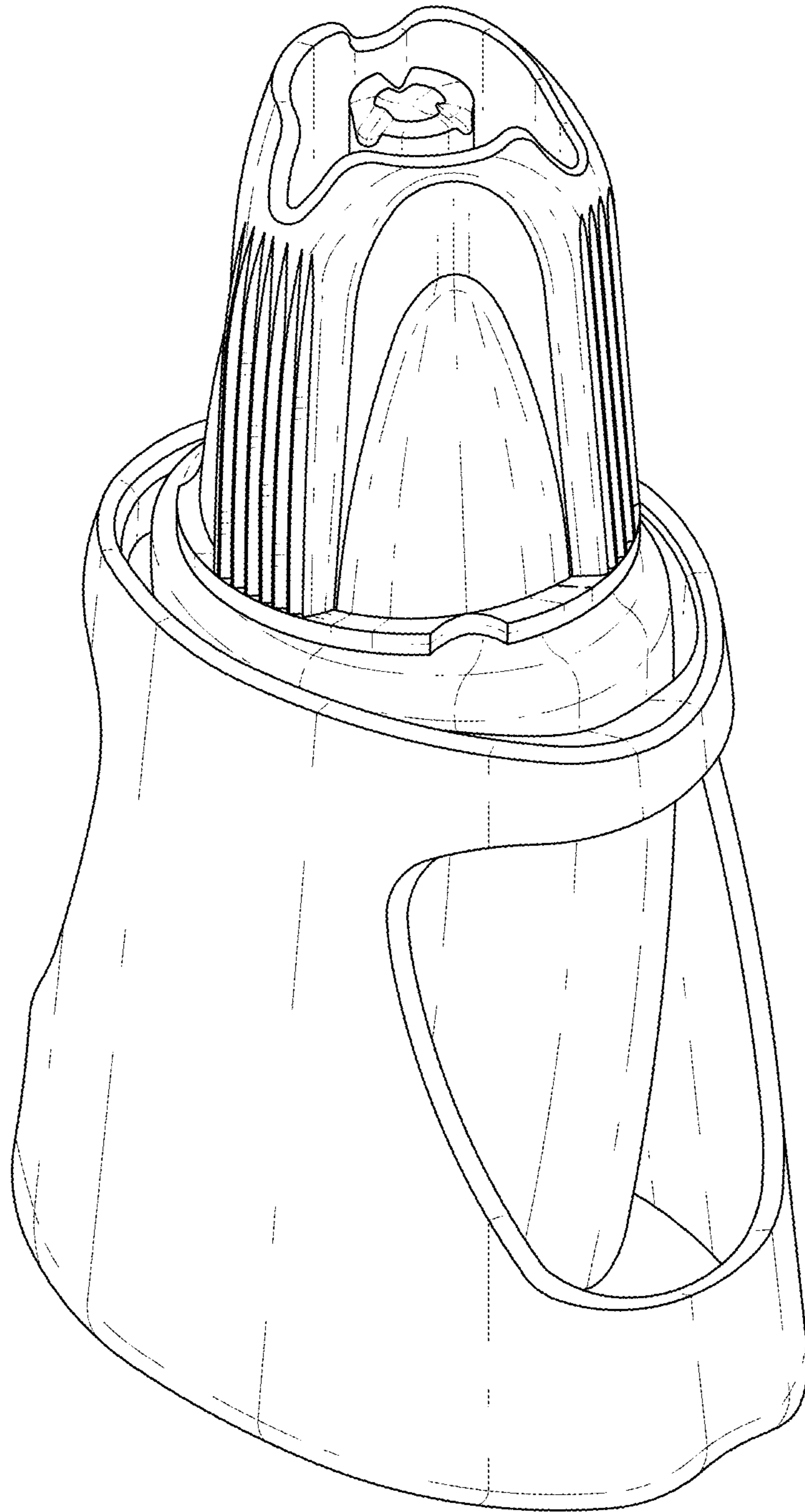


FIG. 7

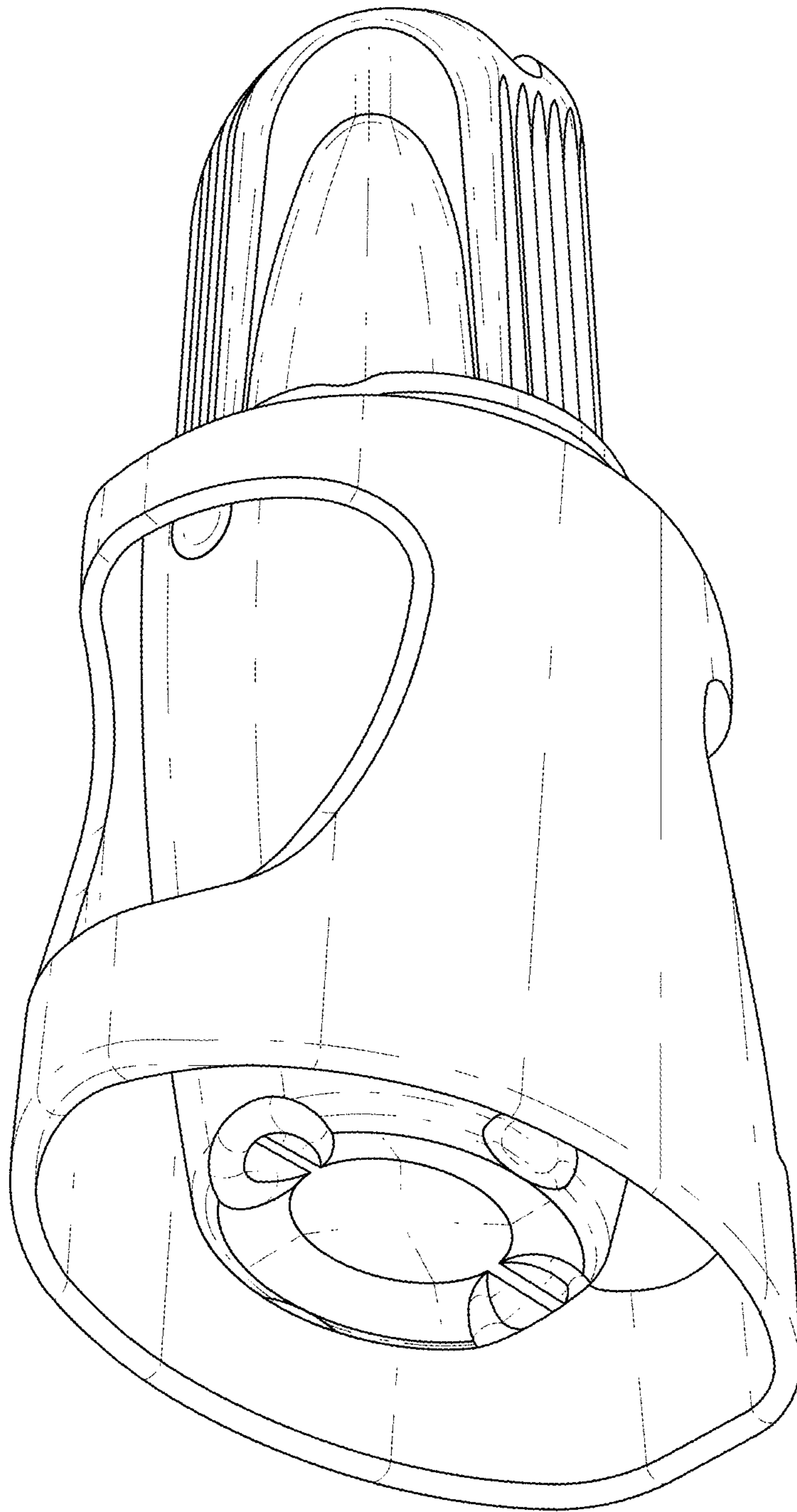


FIG. 8

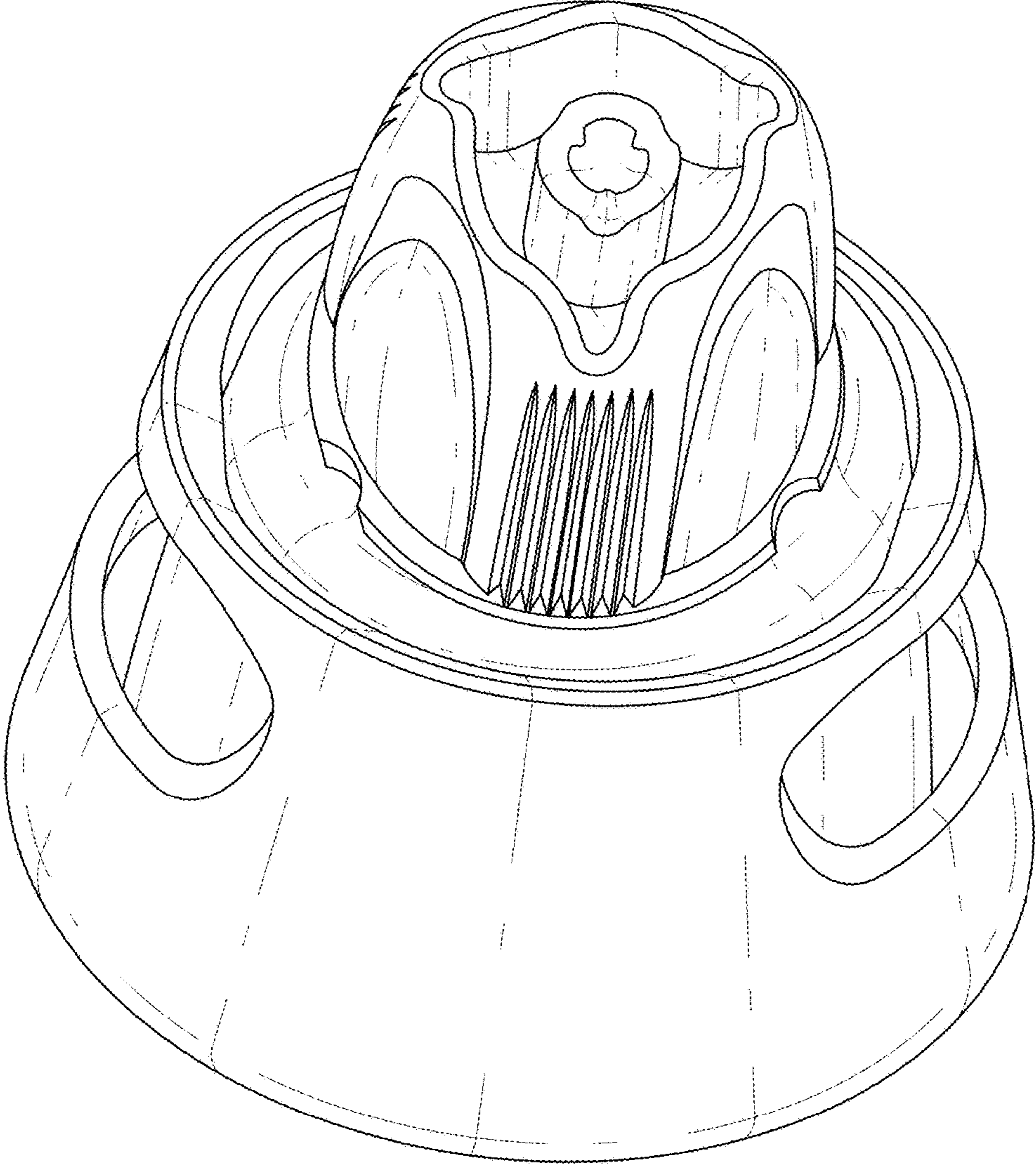


FIG. 9