



US00D789201S

(12) **United States Design Patent** (10) **Patent No.:** **US D789,201 S**
Yu (45) **Date of Patent:** **** Jun. 13, 2017**

(54) **SEALING CAP**

(71) Applicant: **Choongil Yu**, Guri-si, Gyeonggi-Do (KR)

(72) Inventor: **Choongil Yu**, Guri-si (KR)

(**) Term: **15 Years**

(21) Appl. No.: **35/500,549**

(22) Filed: **Aug. 4, 2015**

(80) **Hague Agreement Data**

Int. Filing Date: **Aug. 4, 2015**

Int. Reg. No.: **DM/087964**

Int. Reg. Date: **Aug. 4, 2015**

Int. Reg. Pub. Date: **Feb. 5, 2016**

(30) **Foreign Application Priority Data**

Feb. 4, 2015 (KR) 30-2015-0006180

(51) **LOC (10) Cl.** **09-03**

(52) **U.S. Cl.**
USPC **D9/453**

(58) **Field of Classification Search**
USPC D9/453, 437, 454, 451, 435, 438, 452,
D9/441, 449, 440, 445, 443, 447;
D24/224; D30/129; D7/399; 215/44,
215/334, 252
CPC B65D 1/023; B65D 41/0414; B65D 41/0492;
B65D 41/3447
See application file for complete search history.

(56) **References Cited**

U.S. PATENT DOCUMENTS

- 1,981,414 A * 11/1934 Hermani B65D 41/0492
215/334
- D278,033 S * 3/1985 Borkan D9/437
- D315,507 S * 3/1991 Ochs D9/453
- 5,487,481 A * 1/1996 Sander B65D 41/3447
215/252

- D419,451 S * 1/2000 Briere D9/453
- D437,227 S * 2/2001 Lee D9/451
- D460,357 S * 7/2002 Kras D9/435
- D465,731 S * 11/2002 Brant D9/453
- D481,314 S * 10/2003 Noonan D9/438
- D516,911 S * 3/2006 Bloom D9/453
- D518,717 S * 4/2006 German D9/453
- D542,656 S * 5/2007 Szczesniak D9/452
- D584,149 S * 1/2009 Lohrman D9/453
- D606,864 S * 12/2009 Robinson D9/453
- D632,958 S * 2/2011 Fuchs D9/453
- D654,230 S * 2/2012 Tedaldi D30/129
- D677,160 S * 3/2013 Krause B65D 41/0414
D9/451
- D679,598 S * 4/2013 Miceli D9/441
- D681,465 S * 5/2013 Cox D9/441
- D687,299 S * 8/2013 Peykoff D9/453
- D693,221 S * 11/2013 Ramsey D9/453
- D694,110 S * 11/2013 Tanner D9/452
- D709,764 S * 7/2014 Gibb D9/449
- D709,766 S * 7/2014 Miceli D9/453

(Continued)

Primary Examiner — Rhea Shields

(74) *Attorney, Agent, or Firm* — Birch, Stewart, Kolasch & Birch, LLP

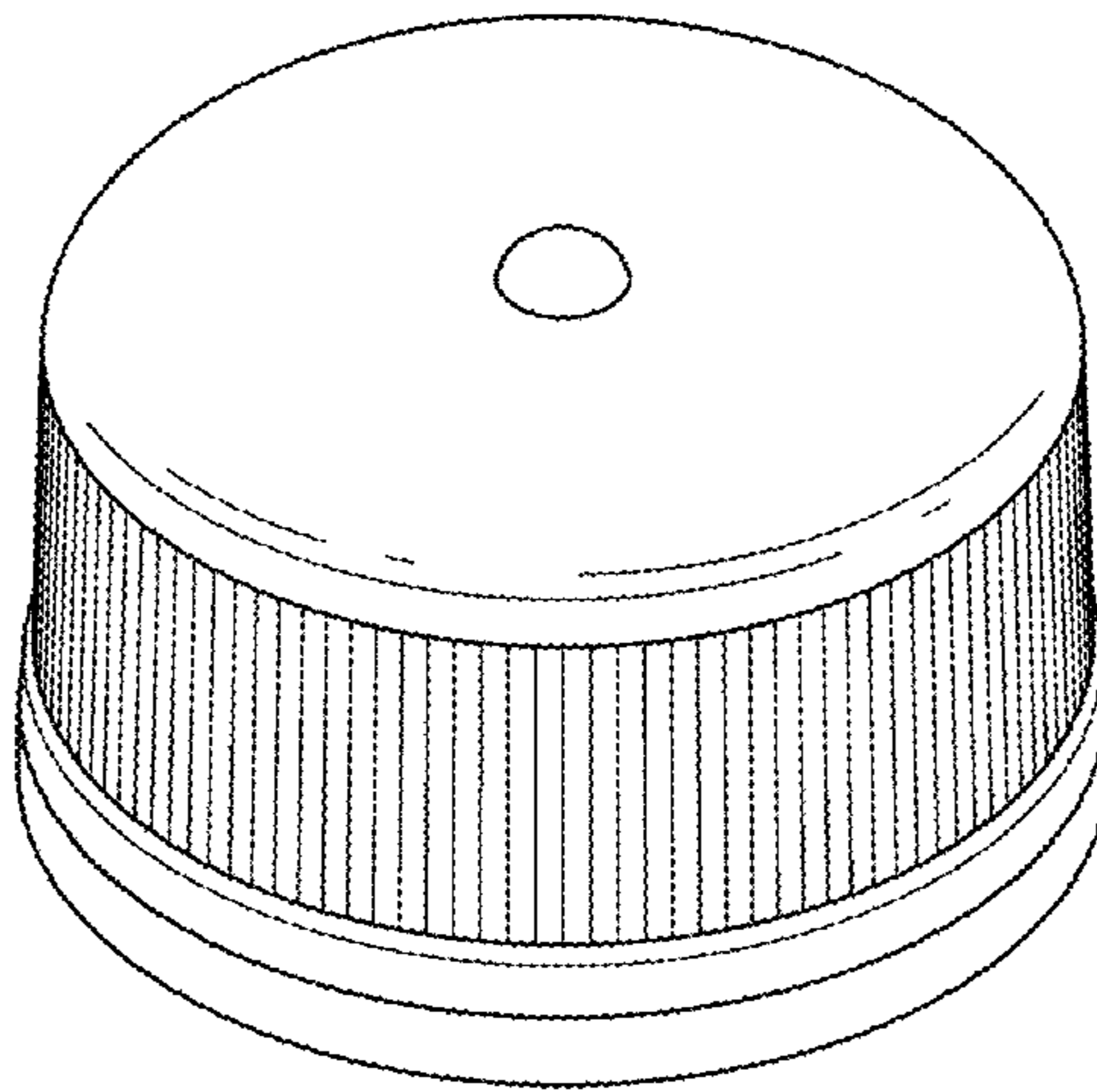
(57) **CLAIM**

The ornamental design for a sealing cap, as shown and described.

DESCRIPTION

- 1. Sealing cap
- 1.1 : Perspective
- 1.2 : Front
- 1.3 : Back
- 1.4 : Left
- 1.5 : Right
- 1.6 : Top
- 1.7 : Bottom
- 1.8 : Bottom perspective view
- 1.9 : Cross-sectional
- 1.10 : Reference

1 Claim, 10 Drawing Sheets



(56)

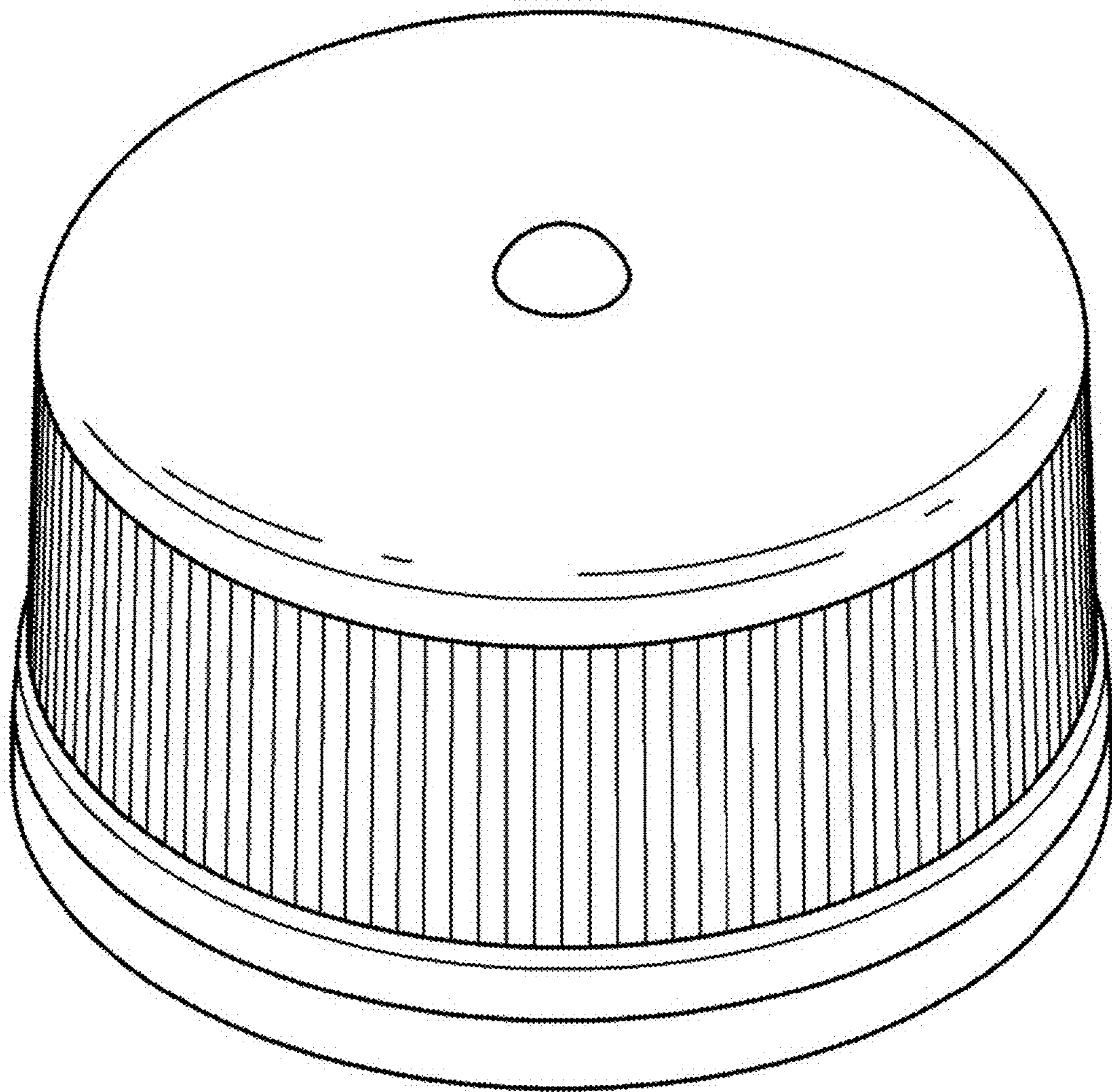
References Cited

U.S. PATENT DOCUMENTS

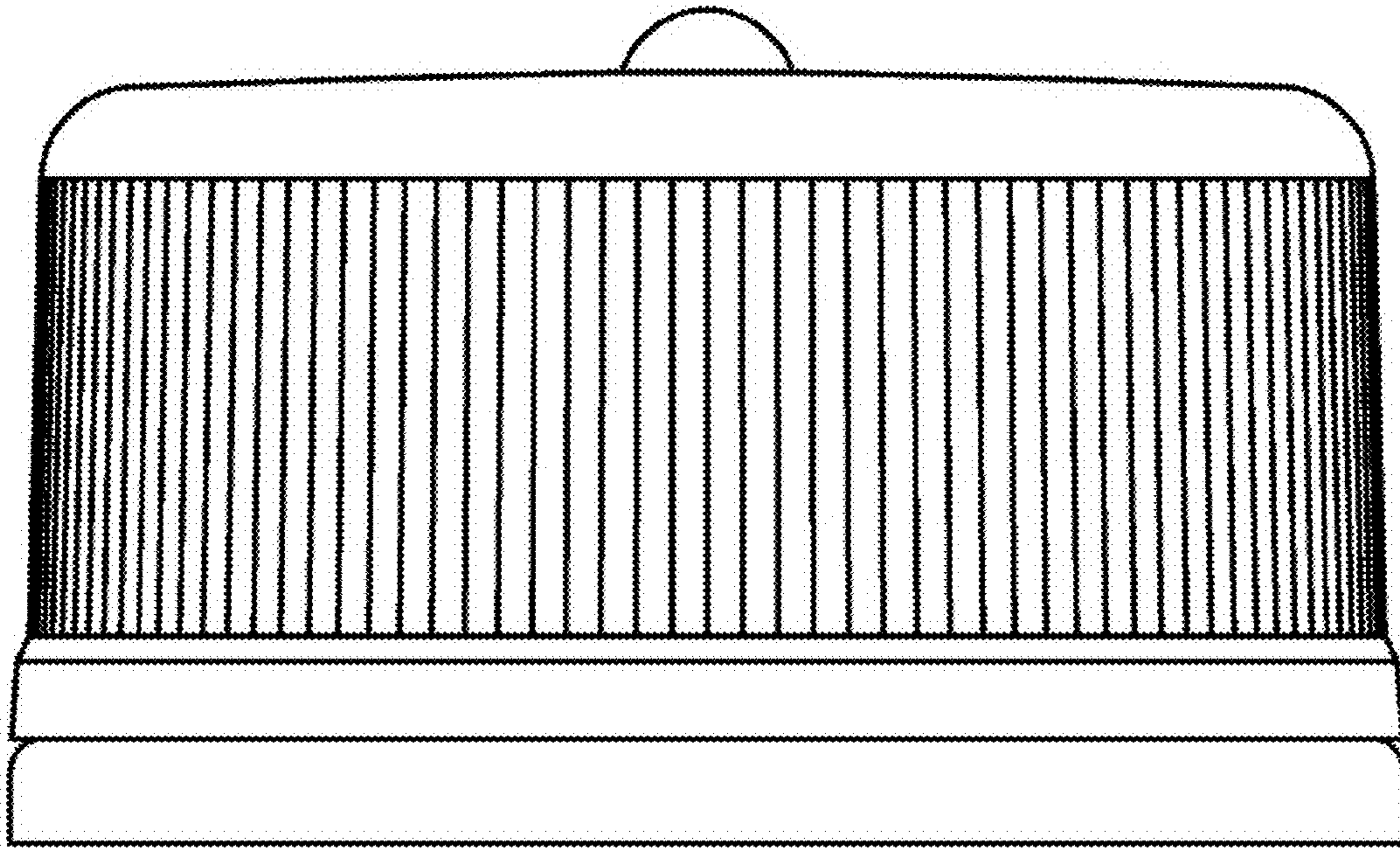
D714,146	S	*	9/2014	King	D9/453
D714,147	S	*	9/2014	Lindstrom, Sr.	D9/453
D715,147	S	*	10/2014	Ginzburg	D9/449
D720,222	S	*	12/2014	Laureano	D9/453
D721,963	S	*	2/2015	Finkbohner	D9/453
D723,919	S	*	3/2015	Taber	D9/438
D734,985	S	*	7/2015	Furia	D7/399
D751,394	S	*	3/2016	Chartier	D9/440
D751,398	S	*	3/2016	Miceli	D9/454
D751,399	S	*	3/2016	Lynd	D9/454
D753,488	S	*	4/2016	Escobar	D9/445
D762,115	S	*	7/2016	Corvaglia	D9/443
D762,473	S	*	8/2016	Willows	D9/447
D766,720	S	*	9/2016	Ware	D9/447
D767,391	S	*	9/2016	Buck	D9/447
D771,832	S	*	11/2016	Yeager	D24/224
D772,713	S	*	11/2016	Chapman	D9/434
D773,127	S	*	11/2016	Oates	D30/129
2012/0031871	A1	*	2/2012	Molinaro	B65D 1/023 215/44

* cited by examiner

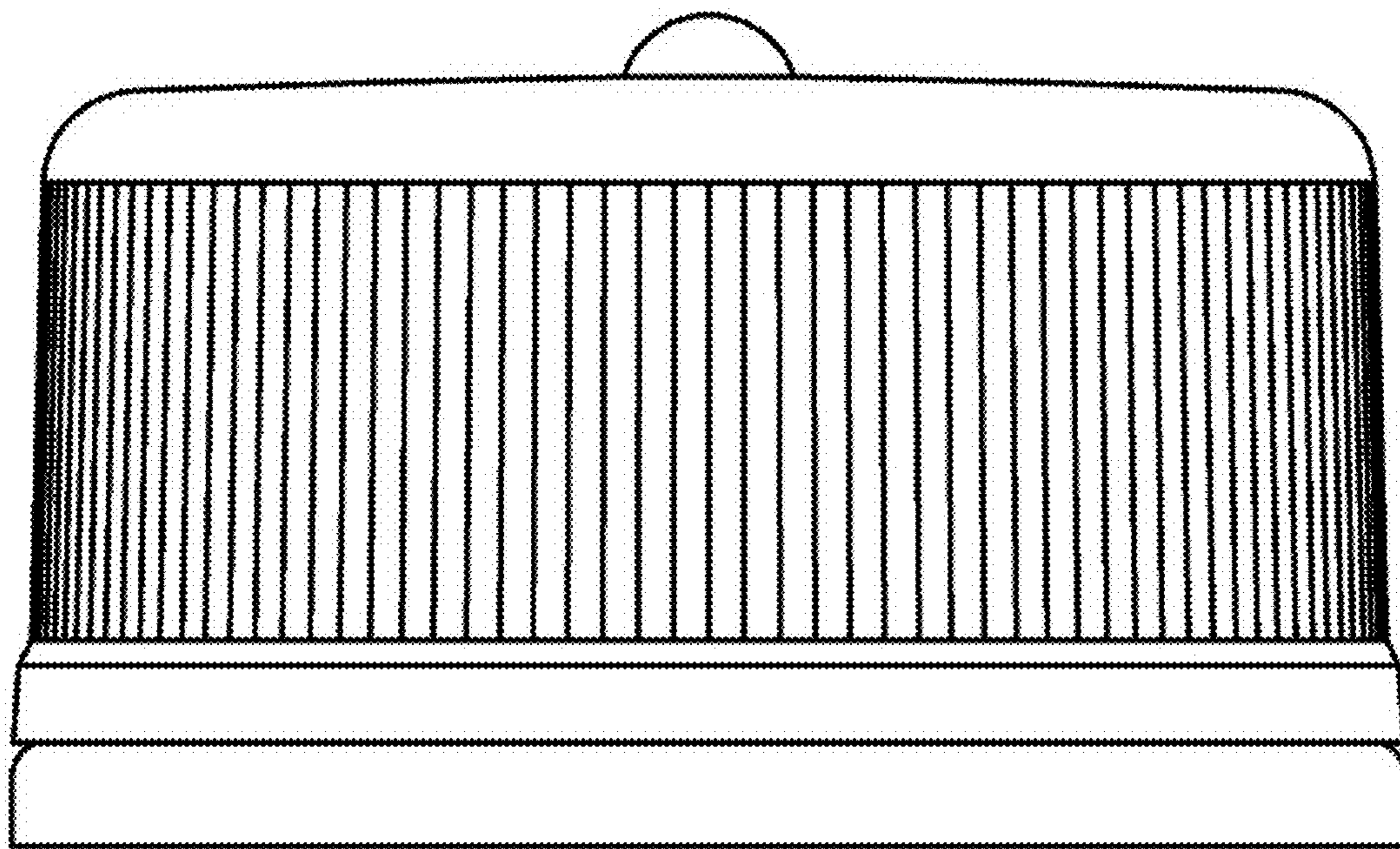
1.1



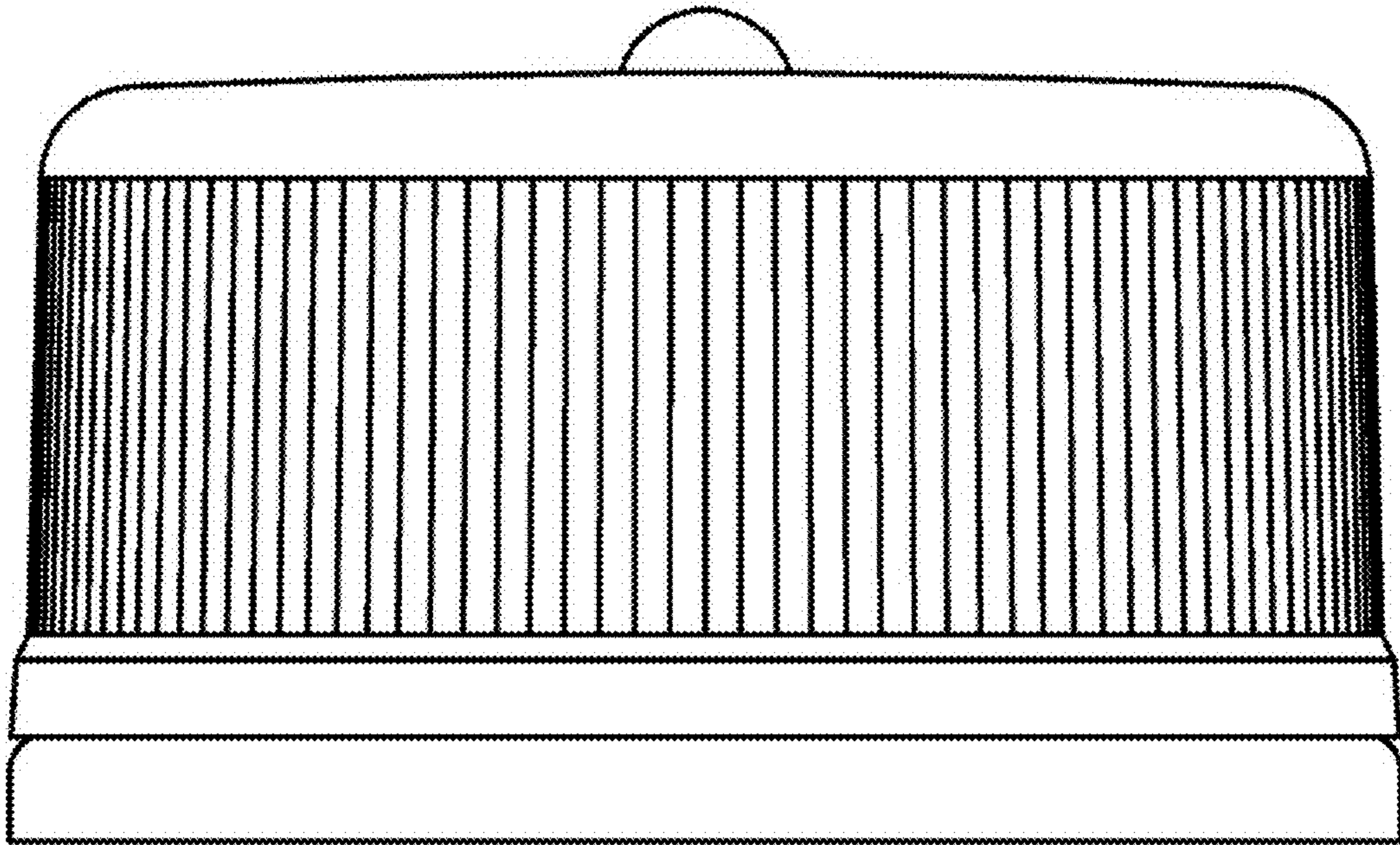
1.2



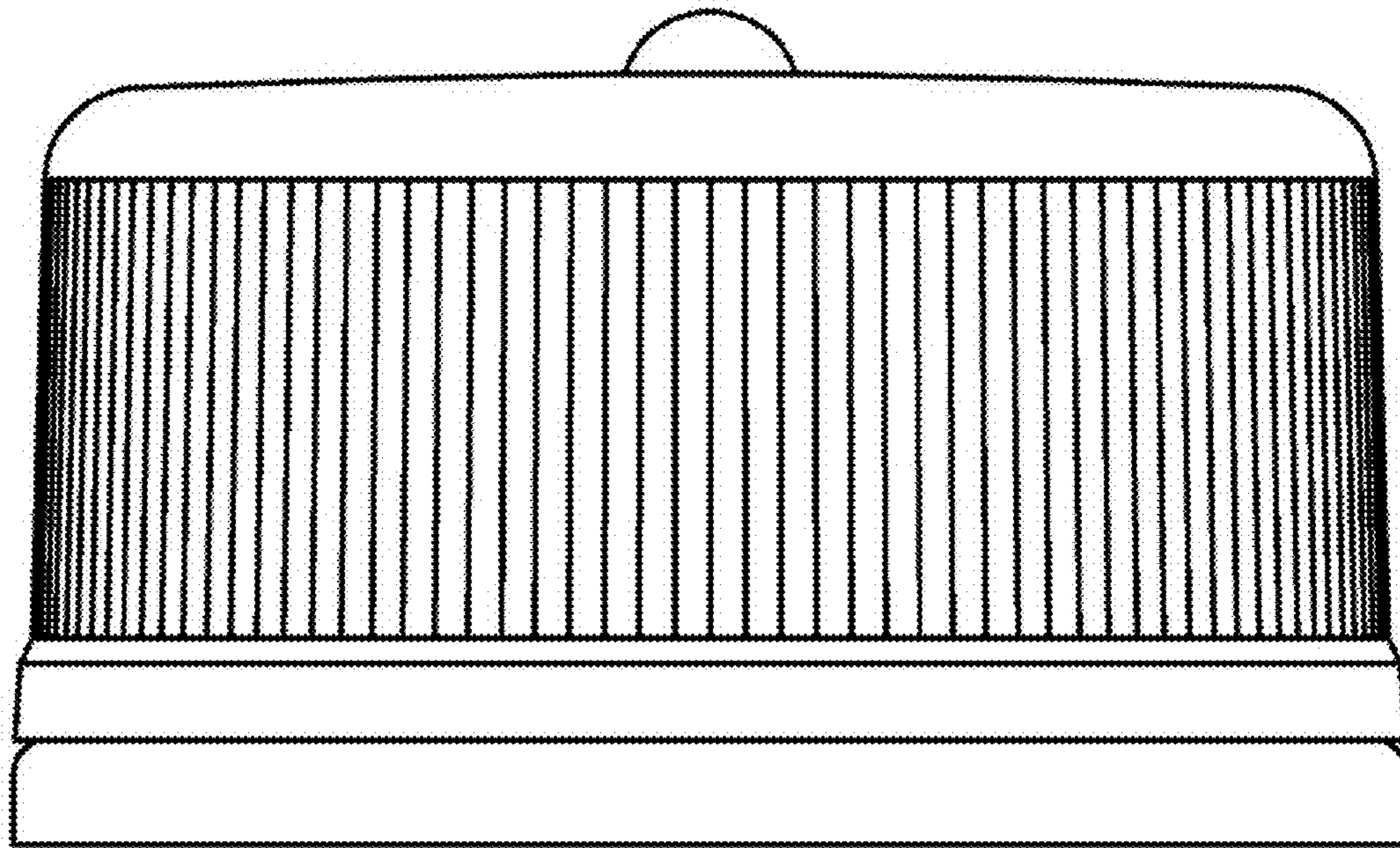
1.3



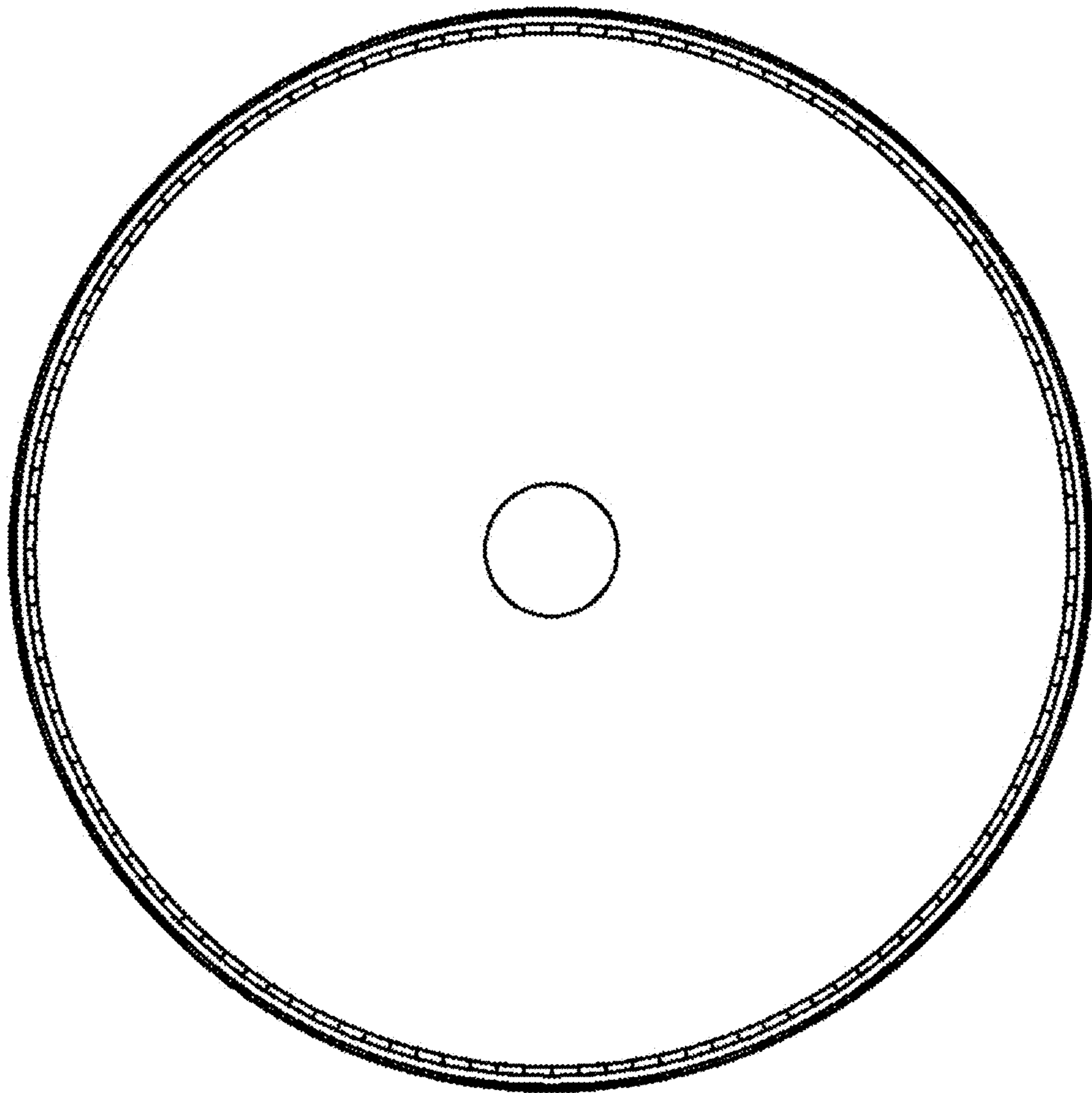
1.4



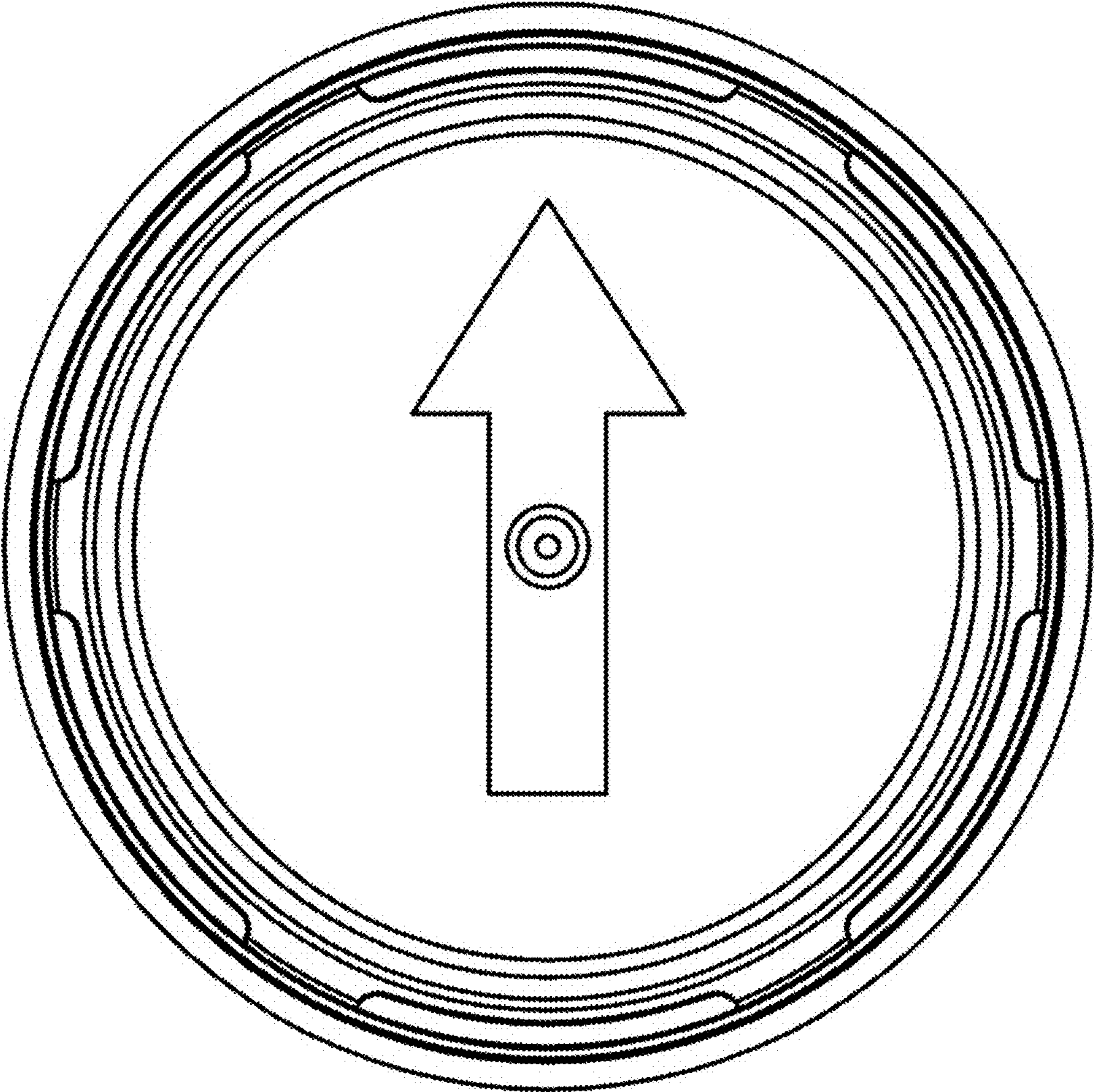
1.5



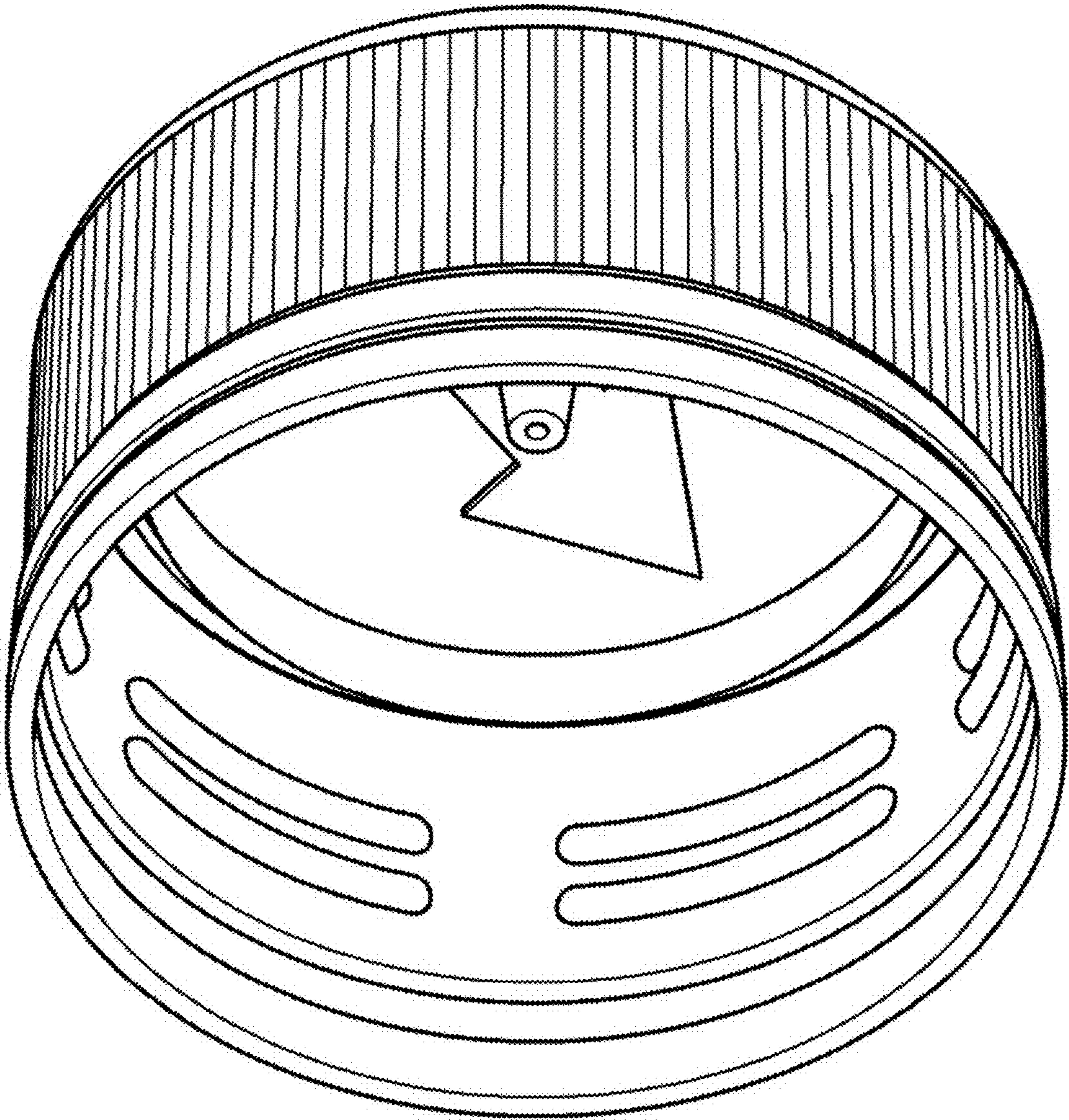
1.6



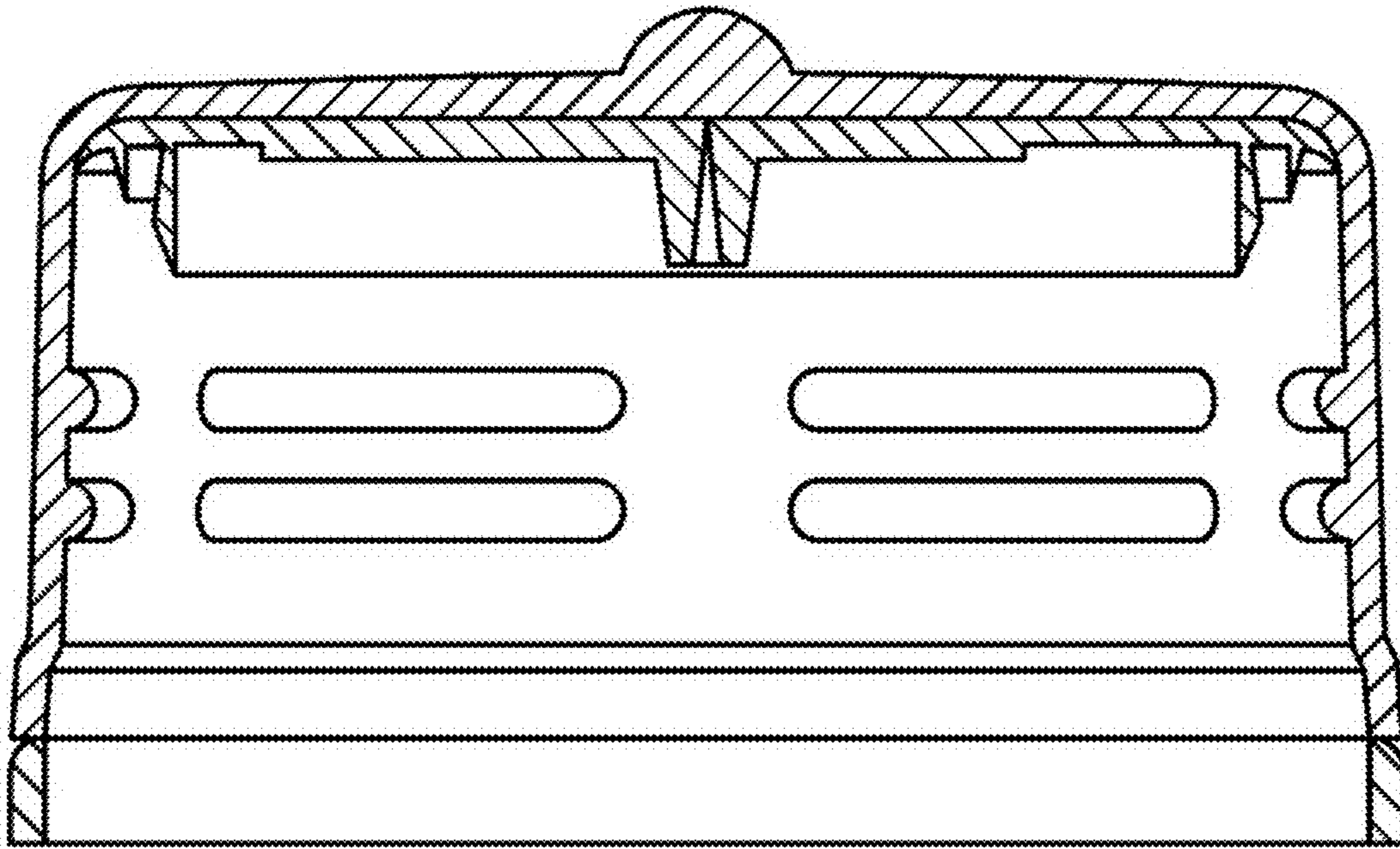
1.7



1.8



1.9



1.10

