



US00D789200S

(12) **United States Design Patent** (10) **Patent No.:** **US D789,200 S**
Deringer et al. (45) **Date of Patent:** **** *Jun. 13, 2017**

(54) **CLOSURE**

- (71) Applicant: **AptarGroup, Inc.**, Crystal Lake, IL (US)
- (72) Inventors: **Nils Daniel Deringer**, Eging am See (DE); **Kenneth W. Phillips**, Mukwonago, WI (US); **Máximo Cano Pey**, Barcelona (ES); **Ricard Canal Marti**, Barcelona (ES)
- (73) Assignee: **AptarGroup, Inc.**, Crystal Lake, IL (US)
- (*) Notice: This patent is subject to a terminal disclaimer.
- (**) Term: **14 Years**
- (21) Appl. No.: **29/494,998**
- (22) Filed: **Jun. 26, 2014**
- (51) **LOC (10) Cl.** **09-07**
- (52) **U.S. Cl.**
USPC **D9/449; D9/435**
- (58) **Field of Classification Search**
USPC D3/201, 202, 203.1, 318, 273, 275, 294; D7/300, 300.1, 316, 317, 387, 391, 392.1, D7/392, 393, 396.2, 509-511, 525-531, D7/538, 541, 549, 629, 703, 900; D9/417, 434, 435, 436, 438, 439, 440, D9/443, 446, 447, 448, 449, 450, 452, D9/453, 454, 502, 503, 504, 516, 517, D9/520, 529, 572, 574, 686, 688, 725, D9/730, 745, 763, 776, 906; D24/121, D24/182, 194, 197, 199, 224; D28/7, 76, D28/78, 82, 85, 91; D34/1, 7, 10, 11, 39; 215/316, 235, 200; 200/200, 235, 281, 200/288, 316, 402.13, 377, 544, 556, 557, 200/562, 752, 744, 759
CPC A45D 33/26; A45D 33/28; A45D 33/18; B65D 47/0804; B65D 47/40; B65D
(Continued)

(56) **References Cited**

U.S. PATENT DOCUMENTS

- 6,367,670 B1 * 4/2002 Warner B65D 47/0804 222/556
 - D534,426 S * 1/2007 Bakic D9/435
 - D535,880 S * 1/2007 Penfold D9/454
- (Continued)

FOREIGN PATENT DOCUMENTS

- KR 300839104.0000 * 2/2016
- WO D0555479-001 * 5/2001

Primary Examiner — Thomas Johannes
Assistant Examiner — Catherine Posthauer
 (74) *Attorney, Agent, or Firm* — Wood, Phillips, Katz, Clark & Mortimer

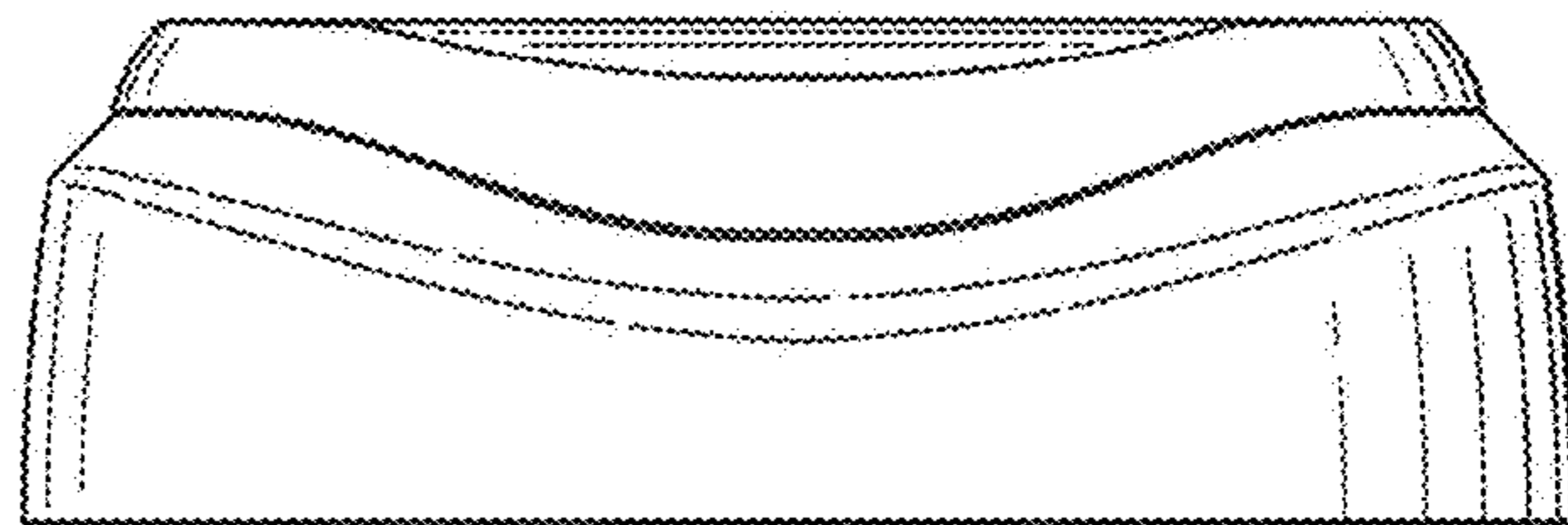
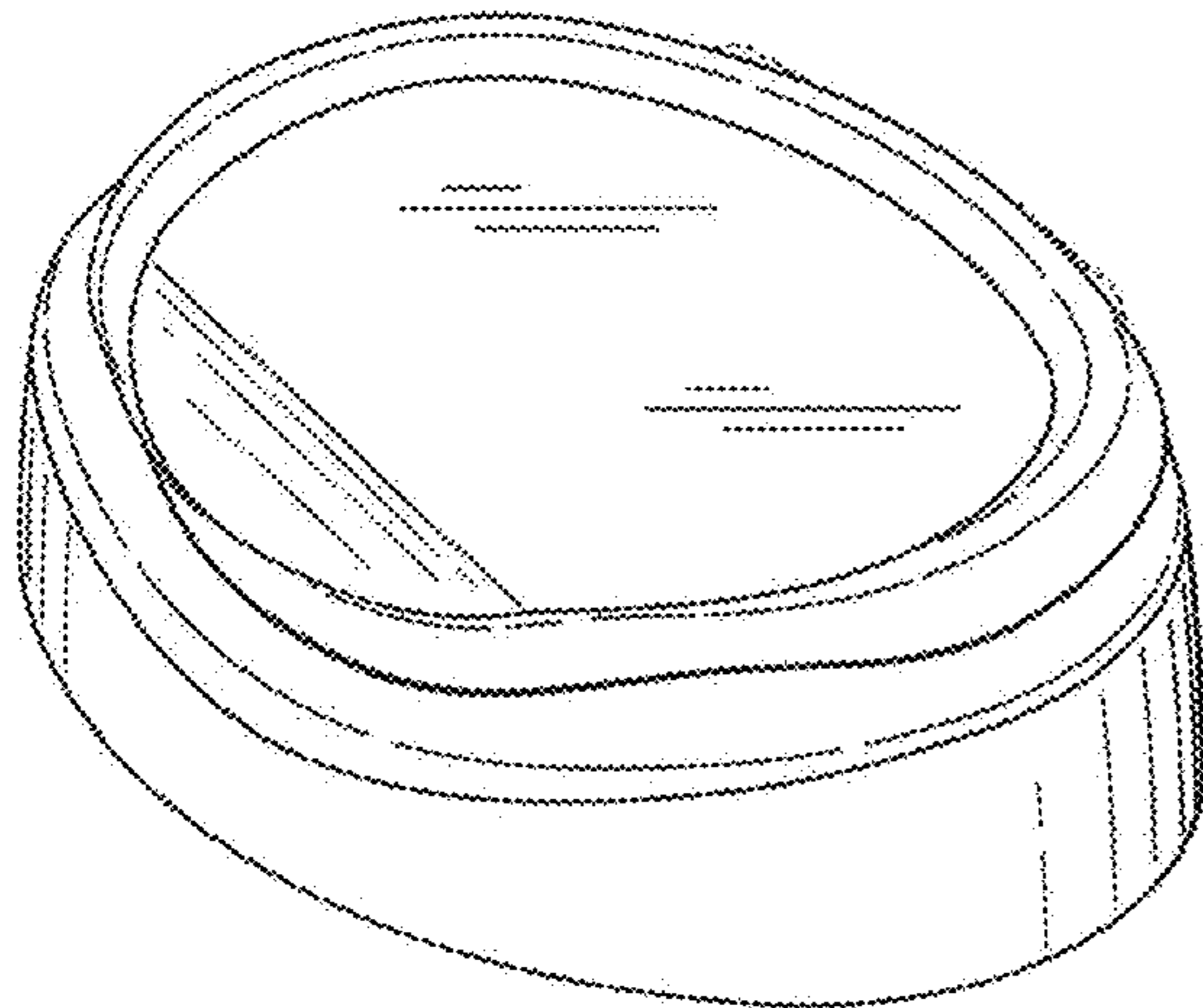
(57) **CLAIM**

The ornamental design for a closure, as shown and described.

DESCRIPTION

FIG. 1 is a top, front, right side perspective view of a closure showing our new design;
 FIG. 2 is a top, rear, left perspective view thereof;
 FIG. 3 is a top plan view thereof;
 FIG. 4 is a top, right perspective view thereof;
 FIG. 5 is a top, left perspective view thereof;
 FIG. 6 is a front elevation view thereof;
 FIG. 7 is a rear elevation view thereof; and,
 FIG. 8 is a right side elevation view thereof; the left side being a mirror image.
 The undisclosed bottom view is unornamented, is not visible to the consumer when the closure is installed on a container (not shown), and forms no part of the claimed ornamental design.
 The broken lines are shown for the purpose of illustrating parts of the closure that form no part of the claimed design.

1 Claim, 4 Drawing Sheets



(58) **Field of Classification Search**

CPC 2543/00269; B65D 2543/00138; B65D
2543/00074

See application file for complete search history.

(56) **References Cited**

U.S. PATENT DOCUMENTS

D538,162	S	*	3/2007	Smith	D9/435
D576,038	S	*	9/2008	Mazurkiewicz	D9/449
D576,490	S	*	9/2008	Mazurkiewicz	D9/449
D602,354	S	*	10/2009	Dibnah	D9/435
D605,510	S	*	12/2009	Weber	D9/449
D605,511	S	*	12/2009	Weber	D9/449
D605,512	S	*	12/2009	Weber	D9/449
D605,514	S	*	12/2009	Weber	D9/449
D607,726	S	*	1/2010	Wisniewski	D9/449
D608,196	S	*	1/2010	Beilke	D9/449
D608,639	S	*	1/2010	Jackel	D9/449
D609,568	S	*	2/2010	Mazurkiewicz	D9/449
D612,728	S	*	3/2010	Borstel	D9/449
D625,189	S	*	10/2010	Dias	D9/449
D626,411	S	*	11/2010	Lohrman	D9/449
D634,636	S	*	3/2011	Oates	D9/516
D635,025	S	*	3/2011	Stolle	D9/435
D648,626	S	*	11/2011	Oates	D9/435
D661,583	S	*	6/2012	Santarelli	D9/449
D666,095	S	*	8/2012	Blachford	D9/449
D712,263	S	*	9/2014	Humm	D9/449
D712,264	S	*	9/2014	Humm	D9/449
D766,085	S	*	9/2016	Smith	D9/449
2005/0173366	A1	*	8/2005	Baudin	B65D 47/0814 215/235

* cited by examiner

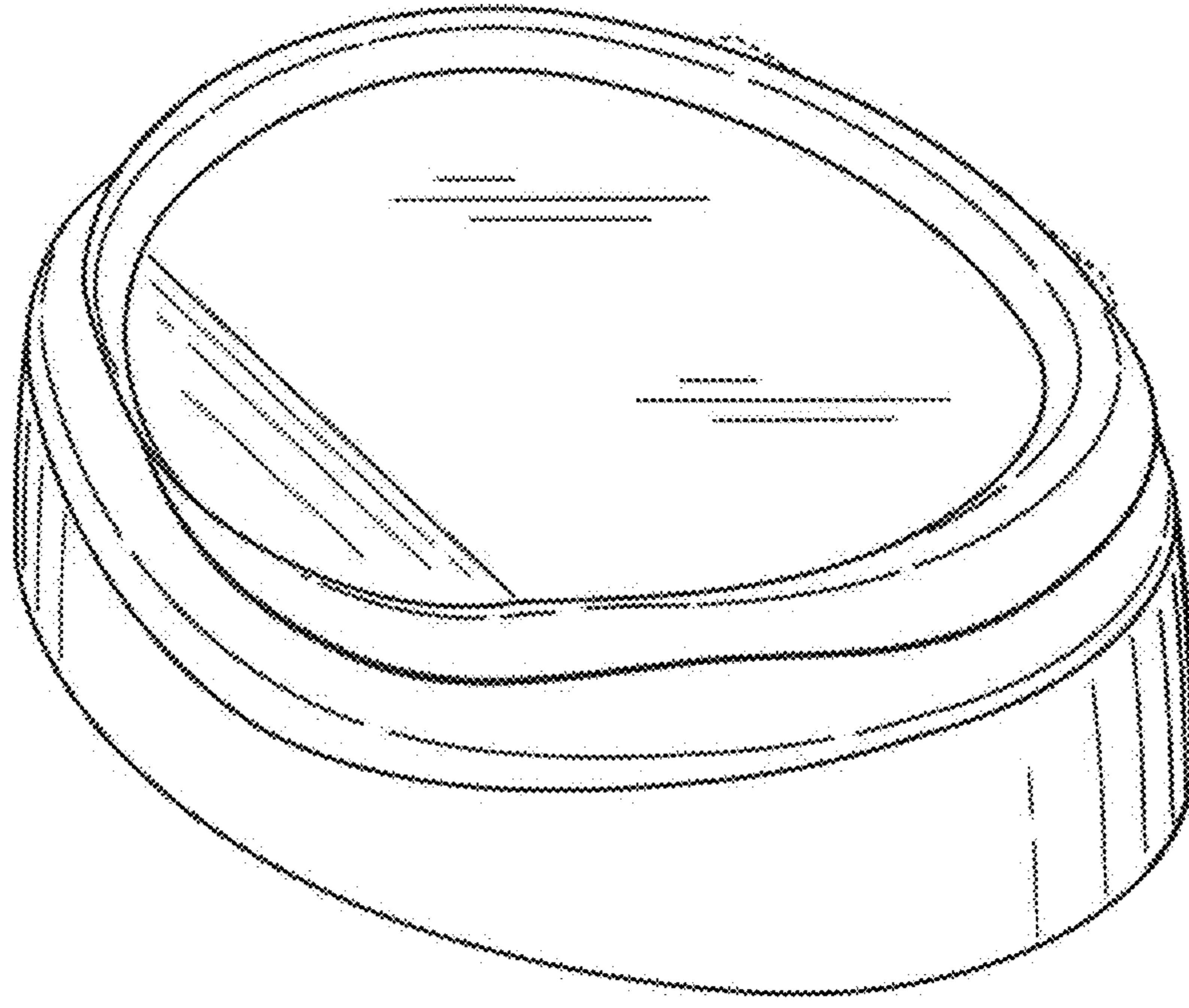


FIG. 1

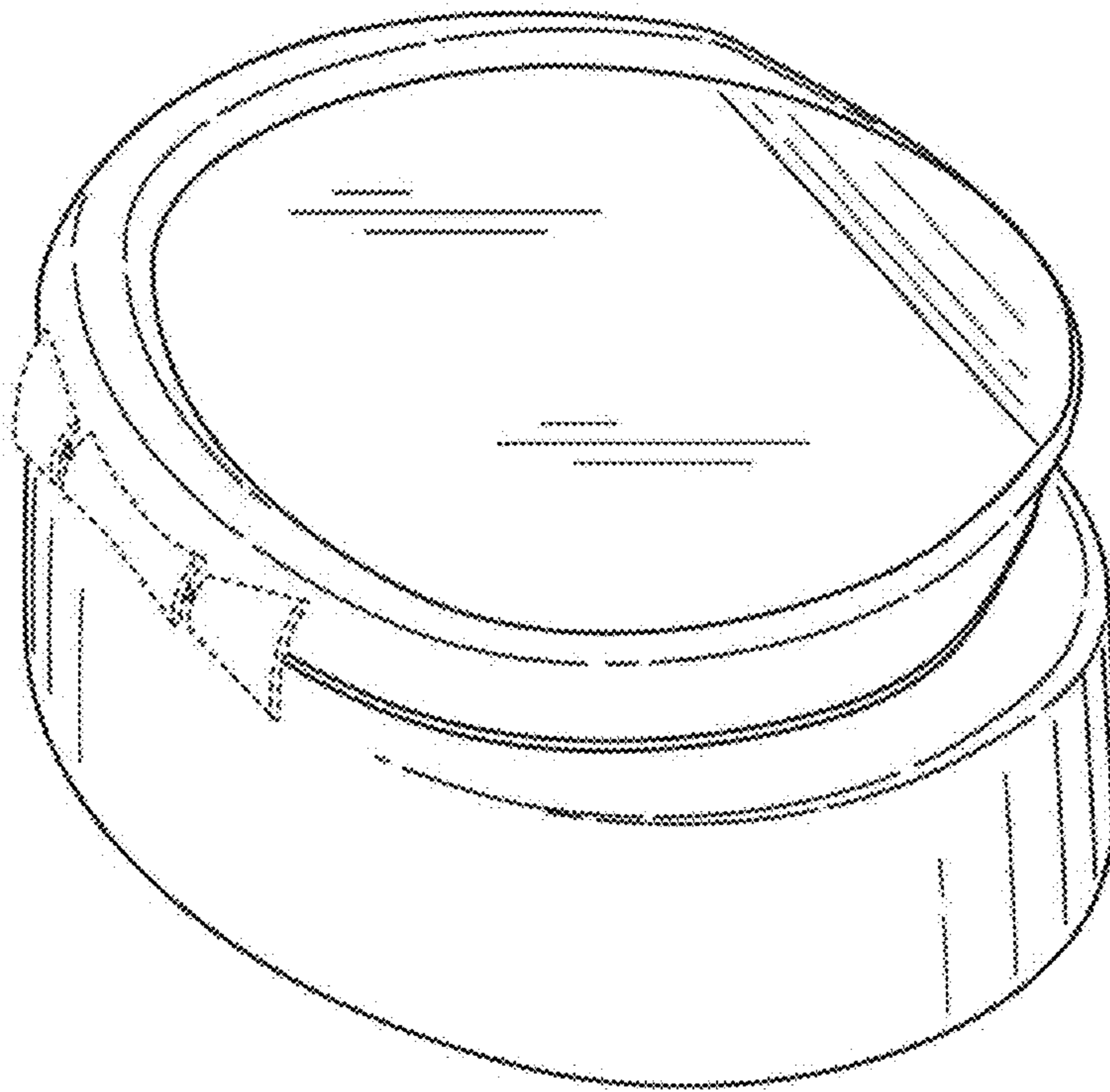


FIG. 2

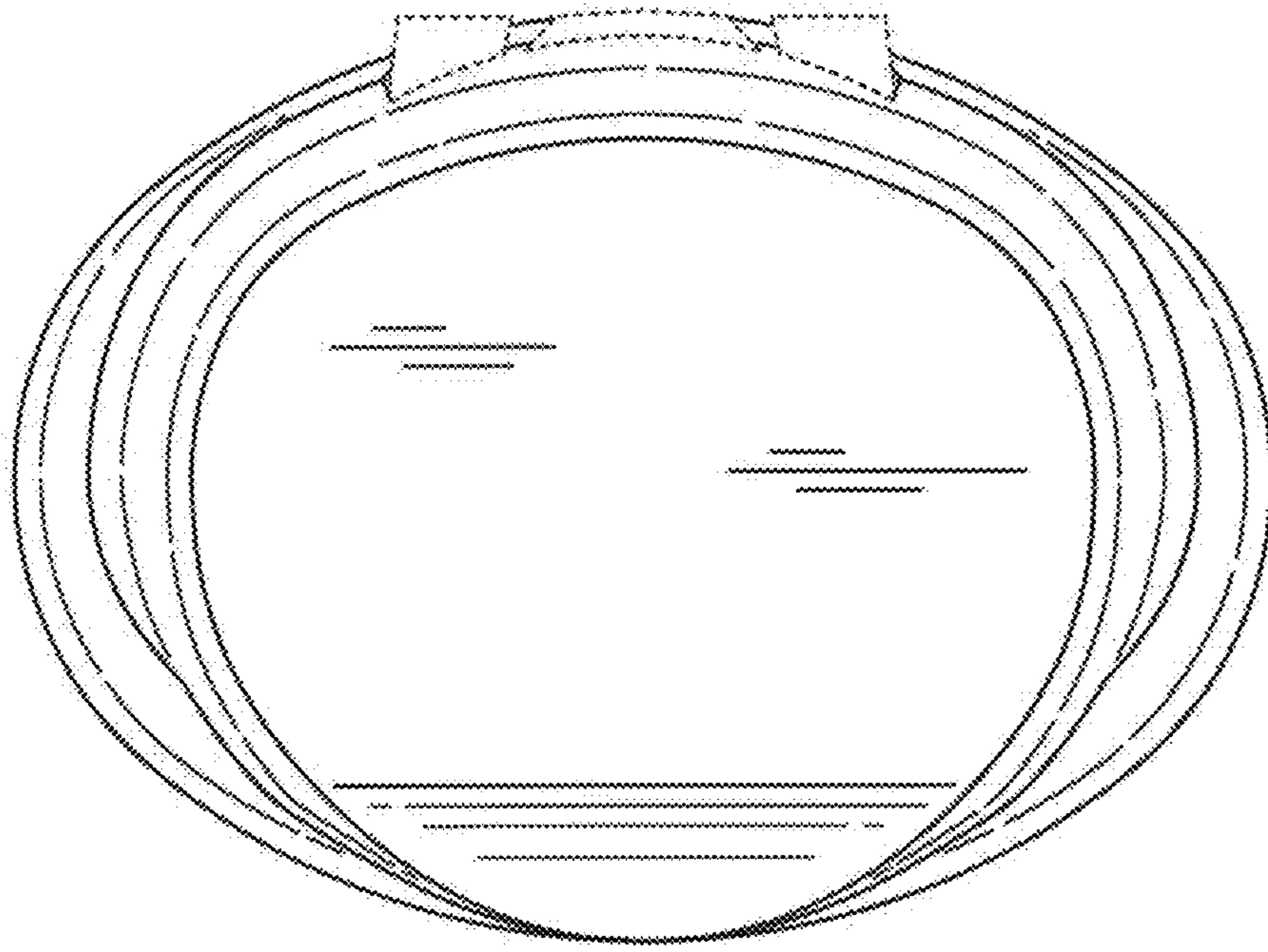


FIG. 3

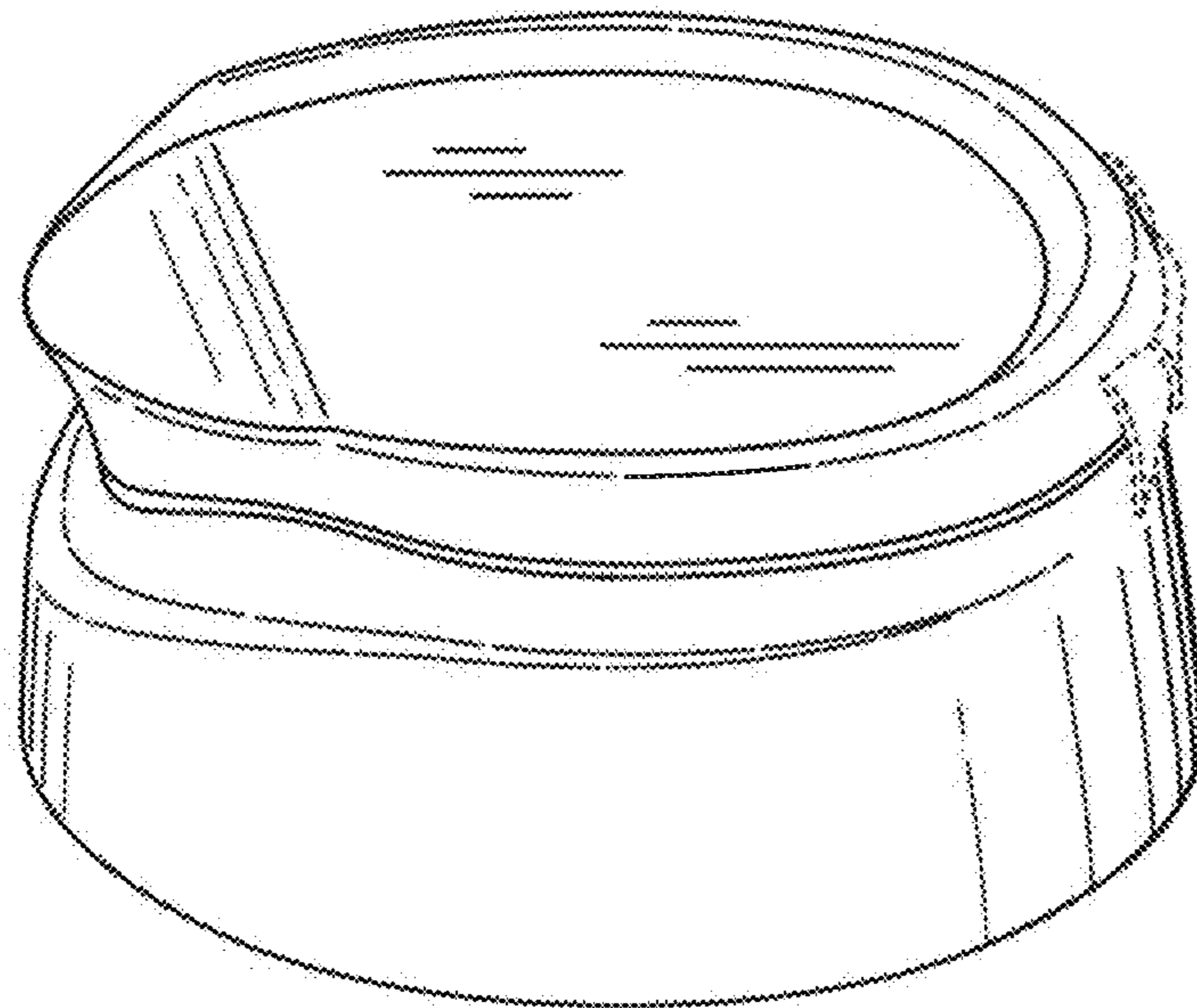


FIG. 4

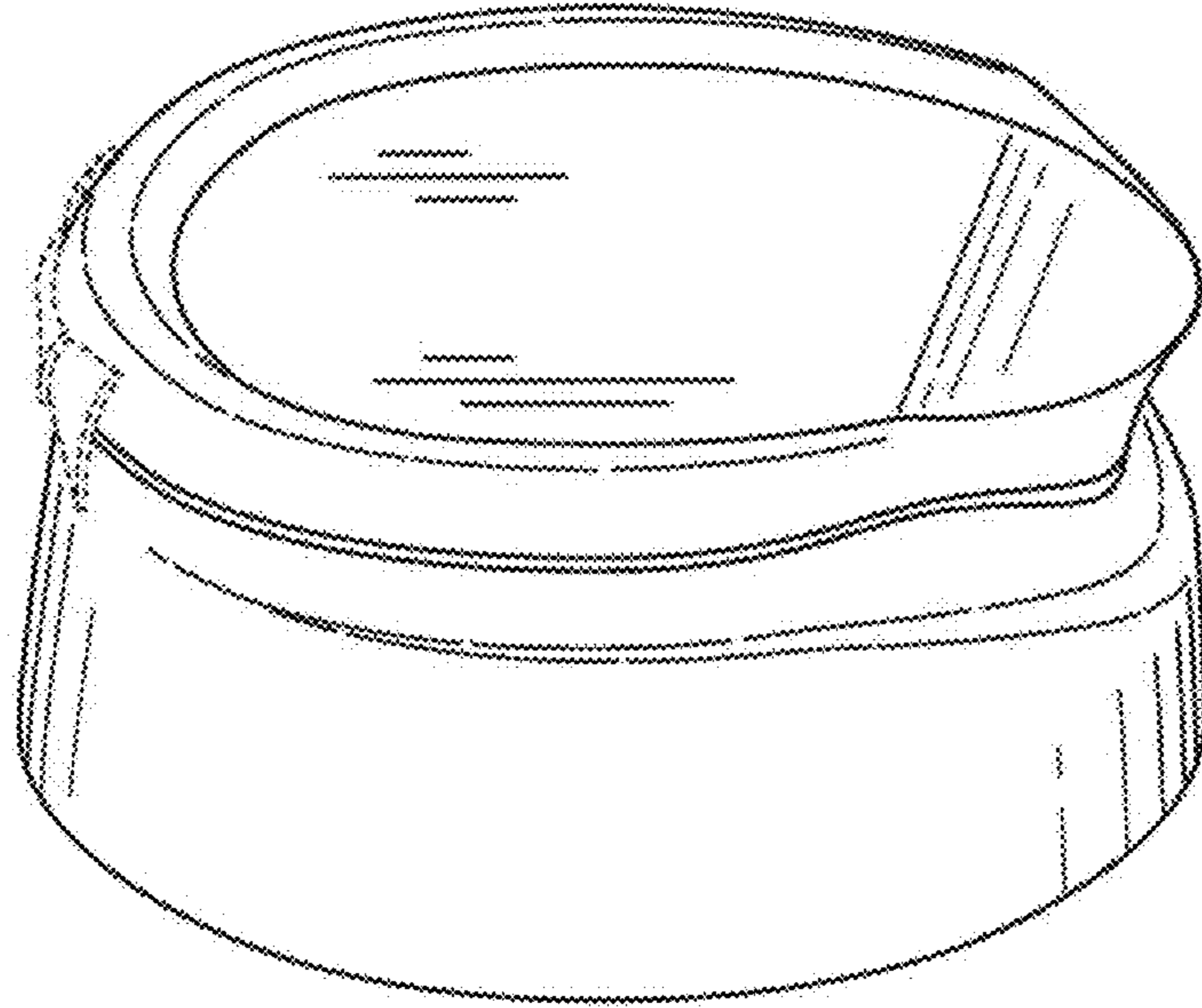


FIG. 5

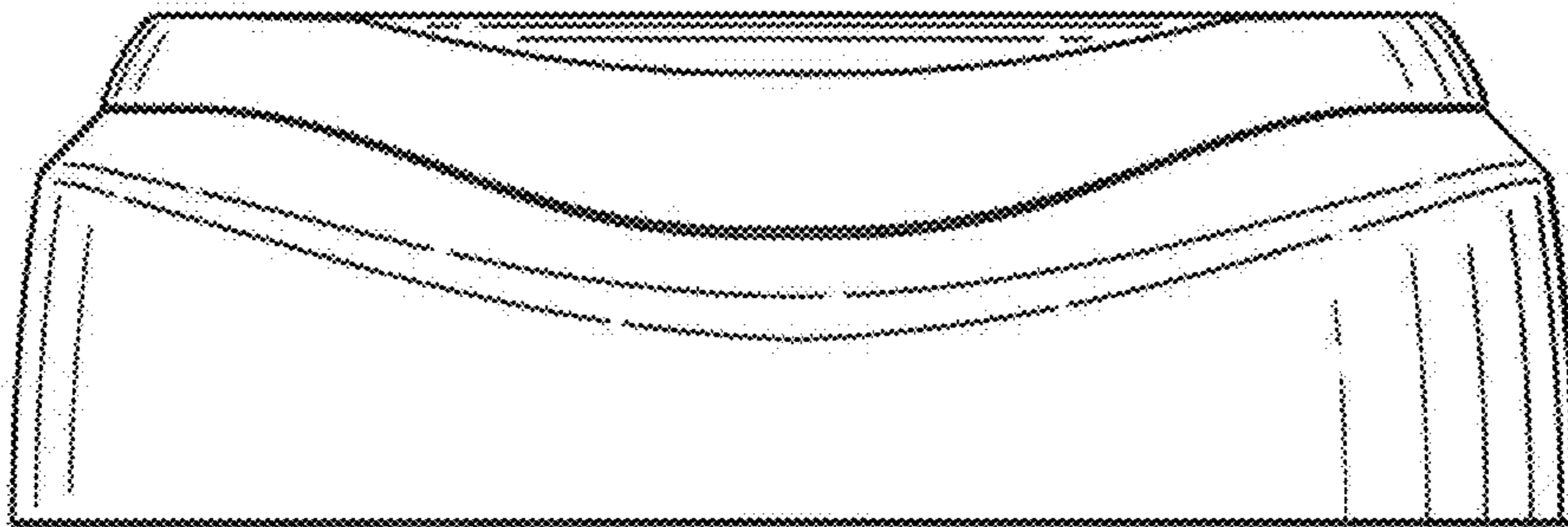


FIG. 6

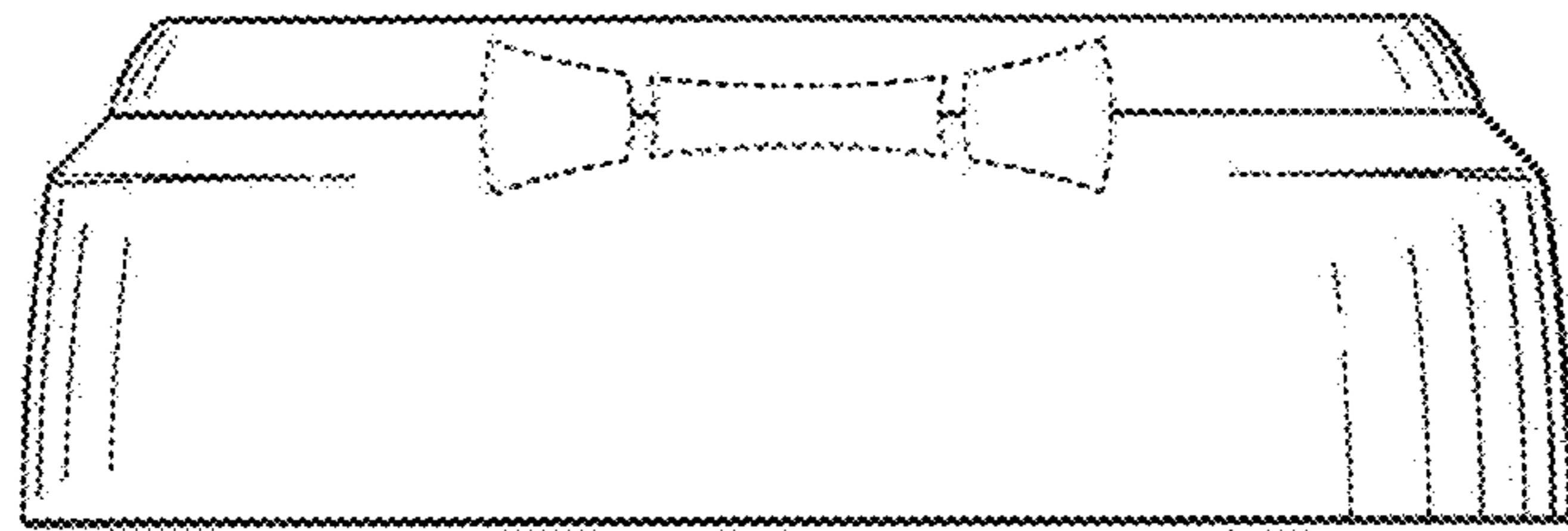


FIG. 7

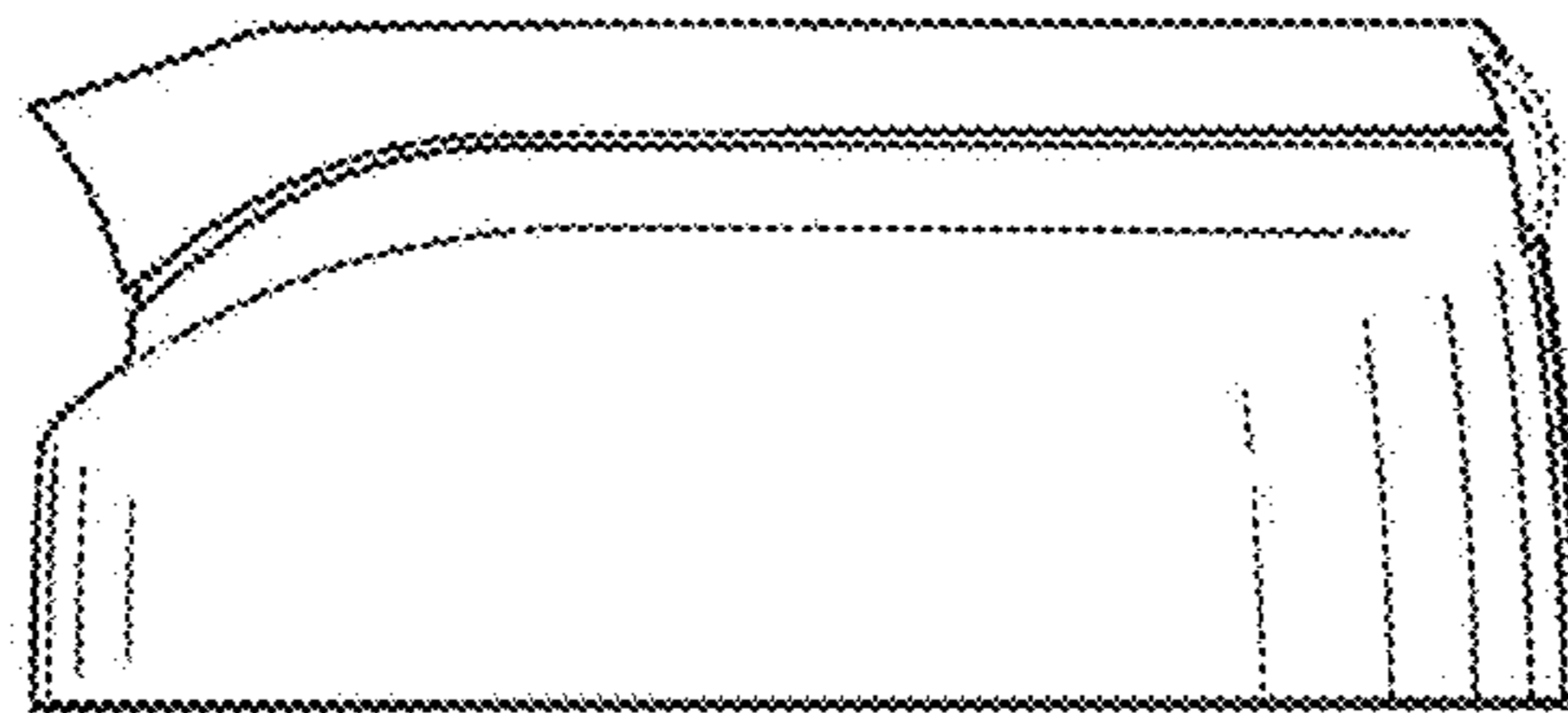


FIG. 8