



US00D789198S

(12) **United States Design Patent** (10) **Patent No.:** **US D789,198 S**
Ngo et al. (45) **Date of Patent:** **** Jun. 13, 2017**

(54) **BEVERAGE CARTRIDGE**
(71) Applicant: **Keurig Green Mountain, Inc.**,
Waterbury, VT (US)
(72) Inventors: **Benjamin Ngo**, Malden, MA (US);
Paul Hammerstrand, Needham, MA
(US); **Anthony C. Lai**, Bedford, MA
(US); **Benjamin Li**, Hong Kong (CN);
Keith Choi, Hong Kong (CN)
(73) Assignee: **Keurig Green Mountain, Inc.**,
Waterbury, VT (US)
(**) Term: **15 Years**
(21) Appl. No.: **29/538,631**
(22) Filed: **Sep. 4, 2015**
(51) **LOC (10) Cl.** **09-07**
(52) **U.S. Cl.**
USPC **D9/443; D9/425**
(58) **Field of Classification Search**
USPC D7/317-319; D9/416, 425, 434, 436,
D9/440, 443, 447, 449, 530, 549
CPC A47J 31/407
See application file for complete search history.

(56) **References Cited**

U.S. PATENT DOCUMENTS

D108,206 S * 2/1938 Kelly D7/318
D185,358 S * 6/1959 Goldstein D9/447
D212,679 S * 11/1968 Ollier D9/416
D227,083 S * 6/1973 Anderson D9/416
D235,246 S * 6/1975 Evans D9/416
D521,387 S * 5/2006 Little D9/528
D595,534 S * 7/2009 Mankowitz D7/317
D651,508 S * 1/2012 Layfield D9/416
D661,581 S * 6/2012 Kallenbach D9/449
D695,602 S * 12/2013 De Pra D9/416
D695,603 S * 12/2013 De Pra D9/416
D696,108 S * 12/2013 De Pra D9/416

D703,035 S * 4/2014 Zanetti D9/416
D716,648 S * 11/2014 Tan D9/416
D732,949 S * 6/2015 Schroeder D9/416
D733,554 S * 7/2015 Rubinstein D9/416
D747,187 S * 1/2016 Cochran D9/416
D752,377 S * 3/2016 Maitland D7/317
9,295,357 B2 * 3/2016 Tinkler B65D 85/8043
9,474,406 B2 * 10/2016 Smith A23F 3/18

(Continued)

OTHER PUBLICATIONS

Single Serve Coffee. Keurig 2.0 My K-Cup Coffee Filter. Oct. 16, 2015 [earliest online date], [site visited Dec. 21, 2016]. Available from Internet, <URL:http://www.singleservecoffee.com/archives/047074.php>.*

Primary Examiner — Robert M Spear
Assistant Examiner — Darcey E Heflin

(74) *Attorney, Agent, or Firm* — Wolf, Greenfield & Sacks, P.C.

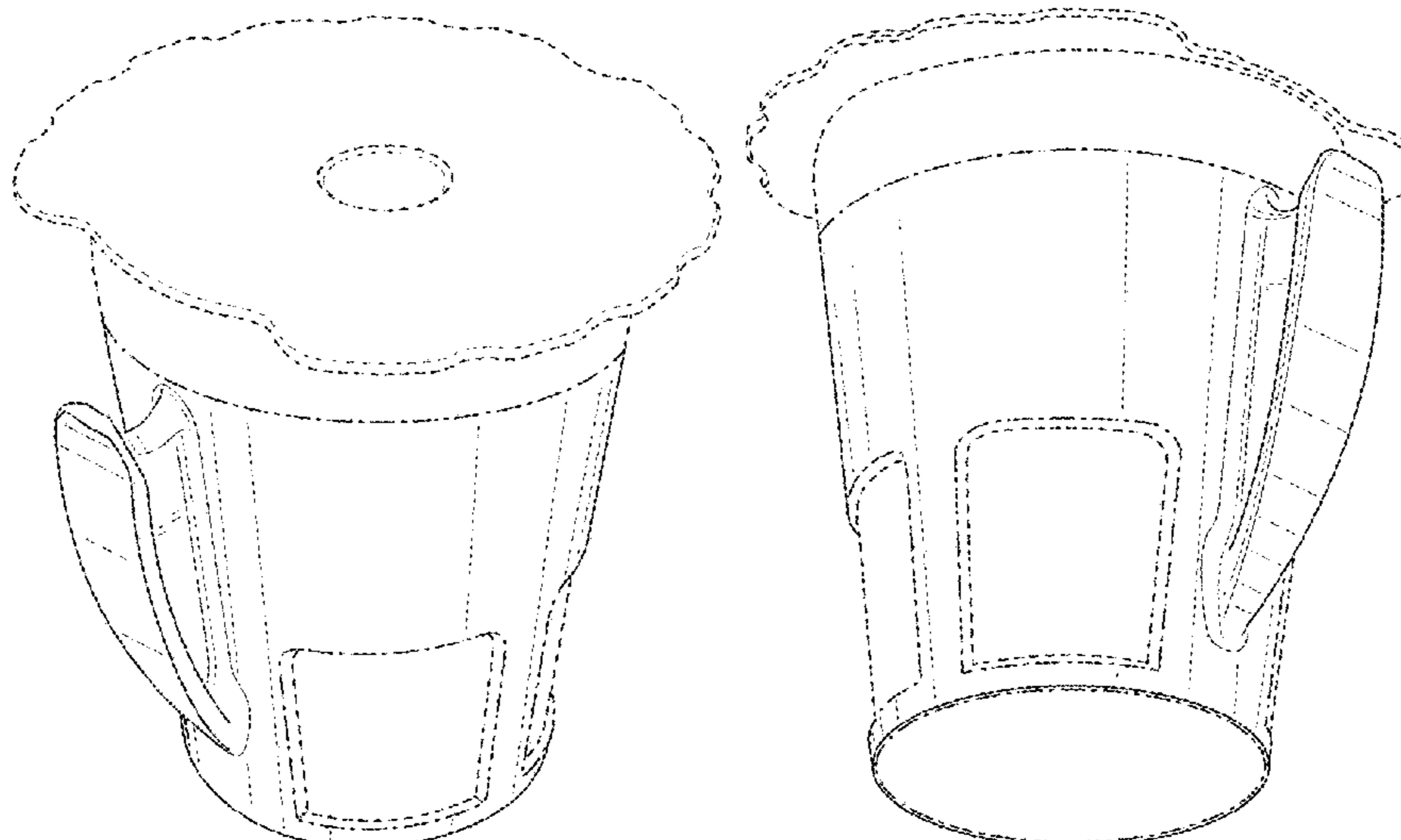
(57) **CLAIM**

The ornamental design for a beverage cartridge, as shown and described.

DESCRIPTION

FIG. 1 is a top, front, right perspective view of a beverage cartridge according to our new design; FIG. 2 is a bottom, front, left perspective view thereof; FIG. 3 is a front elevational view thereof; FIG. 4 is a rear elevational view thereof; FIG. 5 is a left side elevational view thereof; FIG. 6 is a right side elevational view thereof; FIG. 7 is a top plan view thereof; and, FIG. 8 is a bottom plan view thereof. The dashed broken lines in the figures illustrate portions of the beverage cartridge that do not form part of the claimed design. The dot-dash broken lines shown in the figures define bounds of the claim and form no part thereof.

1 Claim, 8 Drawing Sheets



(56)

References Cited

U.S. PATENT DOCUMENTS

9,510,706 B2 * 12/2016 Tinkler A47J 31/3633
2014/0338543 A1 * 11/2014 Smith A47J 31/407
99/295

* cited by examiner

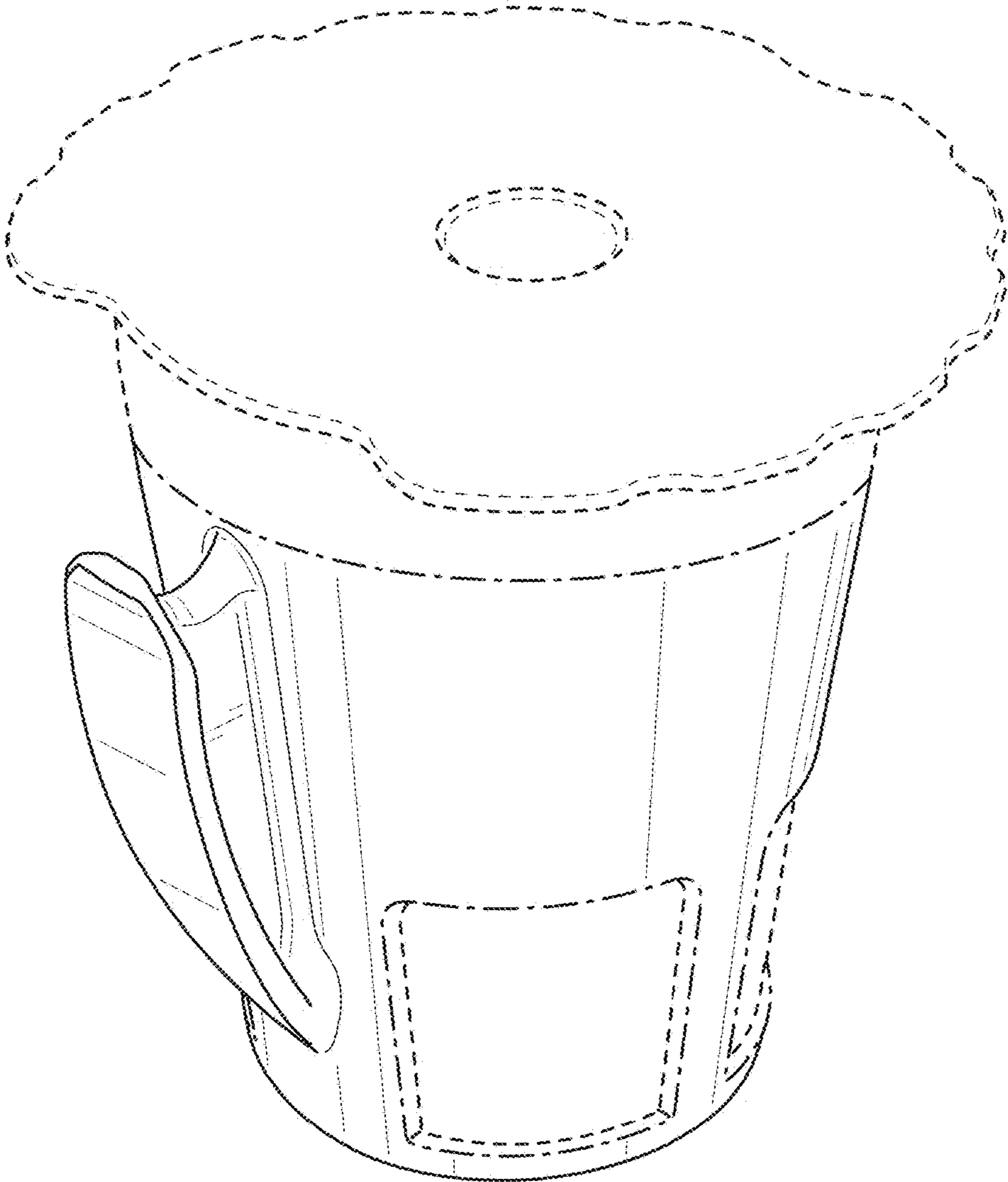


FIG. 1

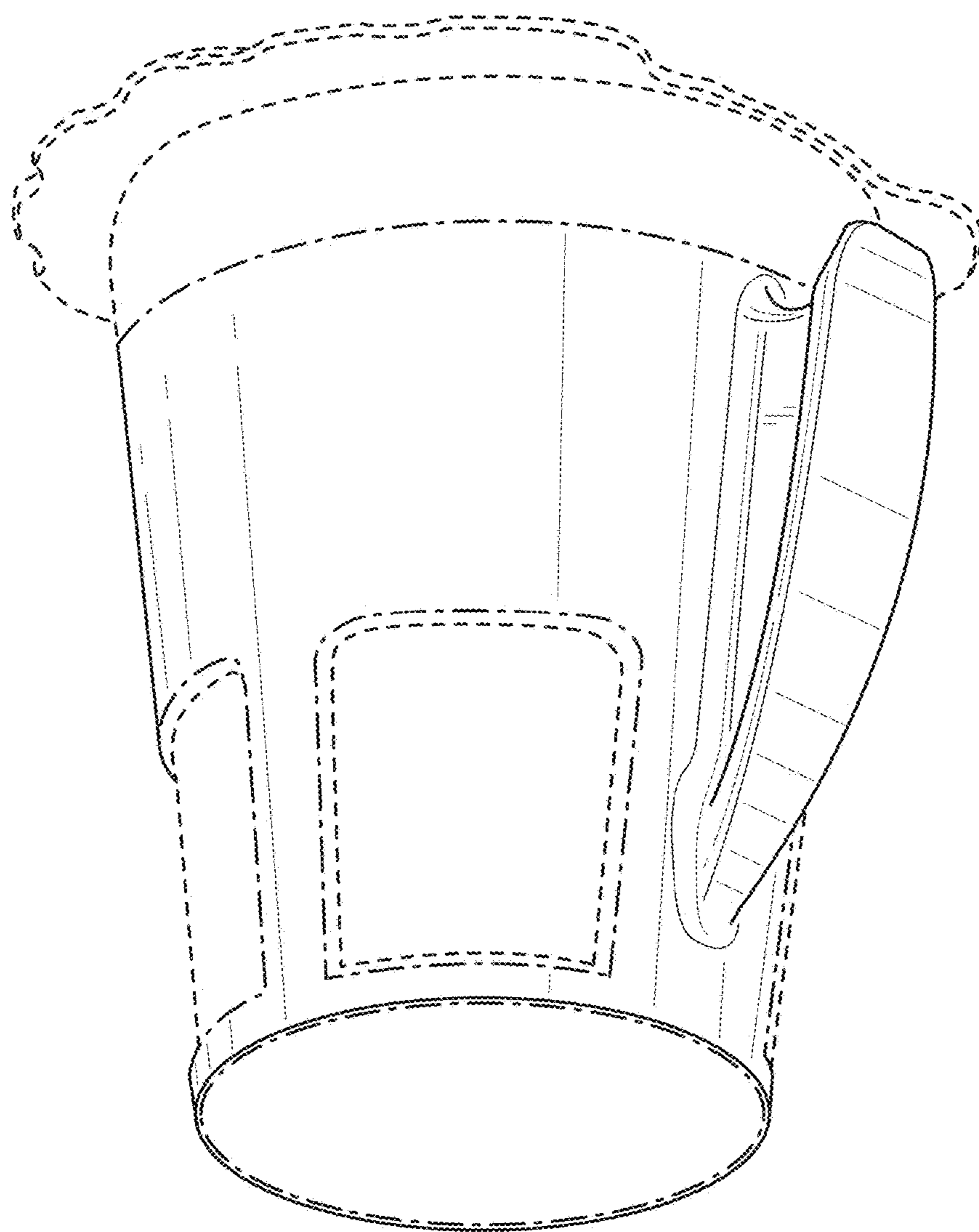


FIG. 2

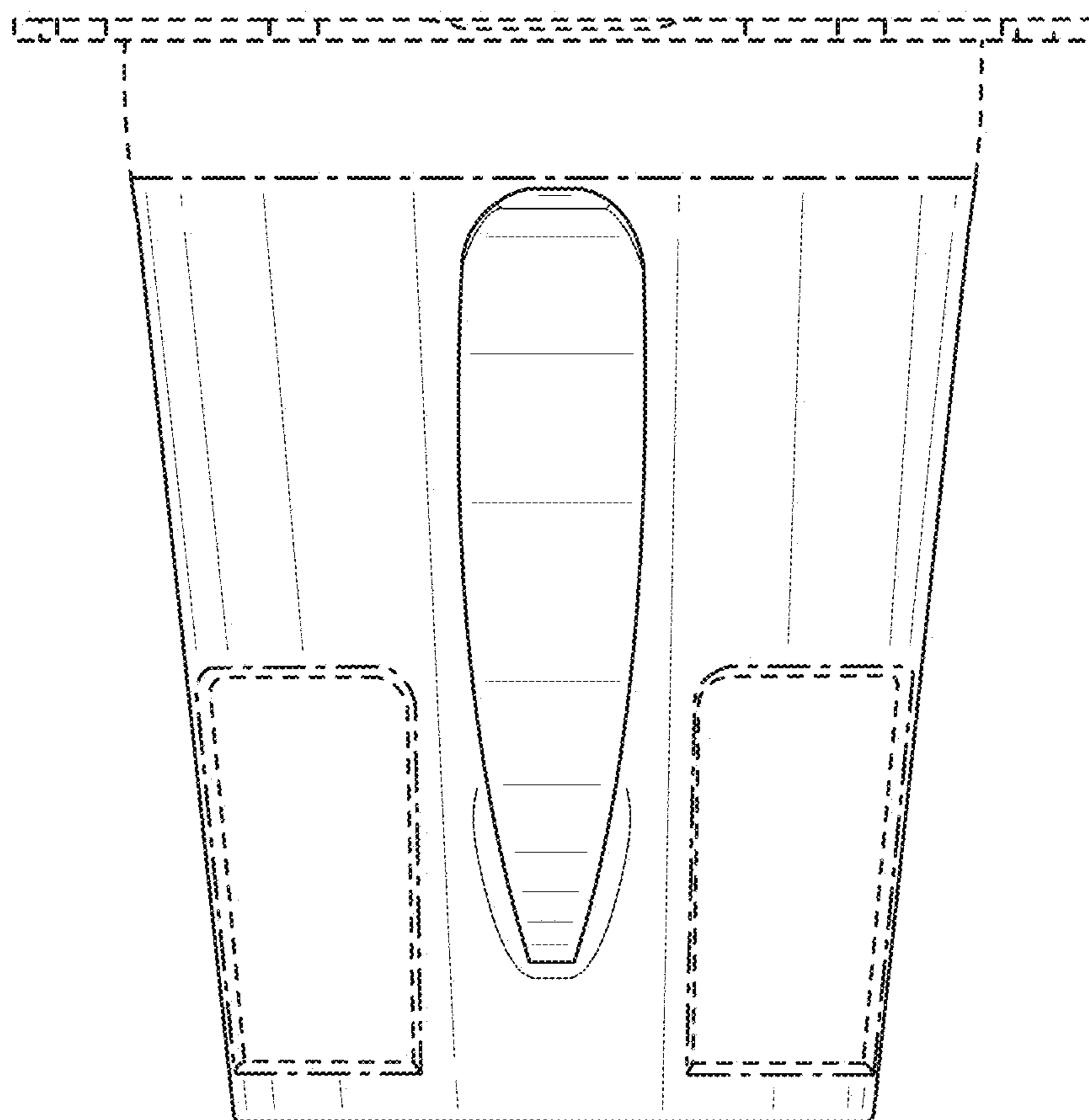


FIG. 3

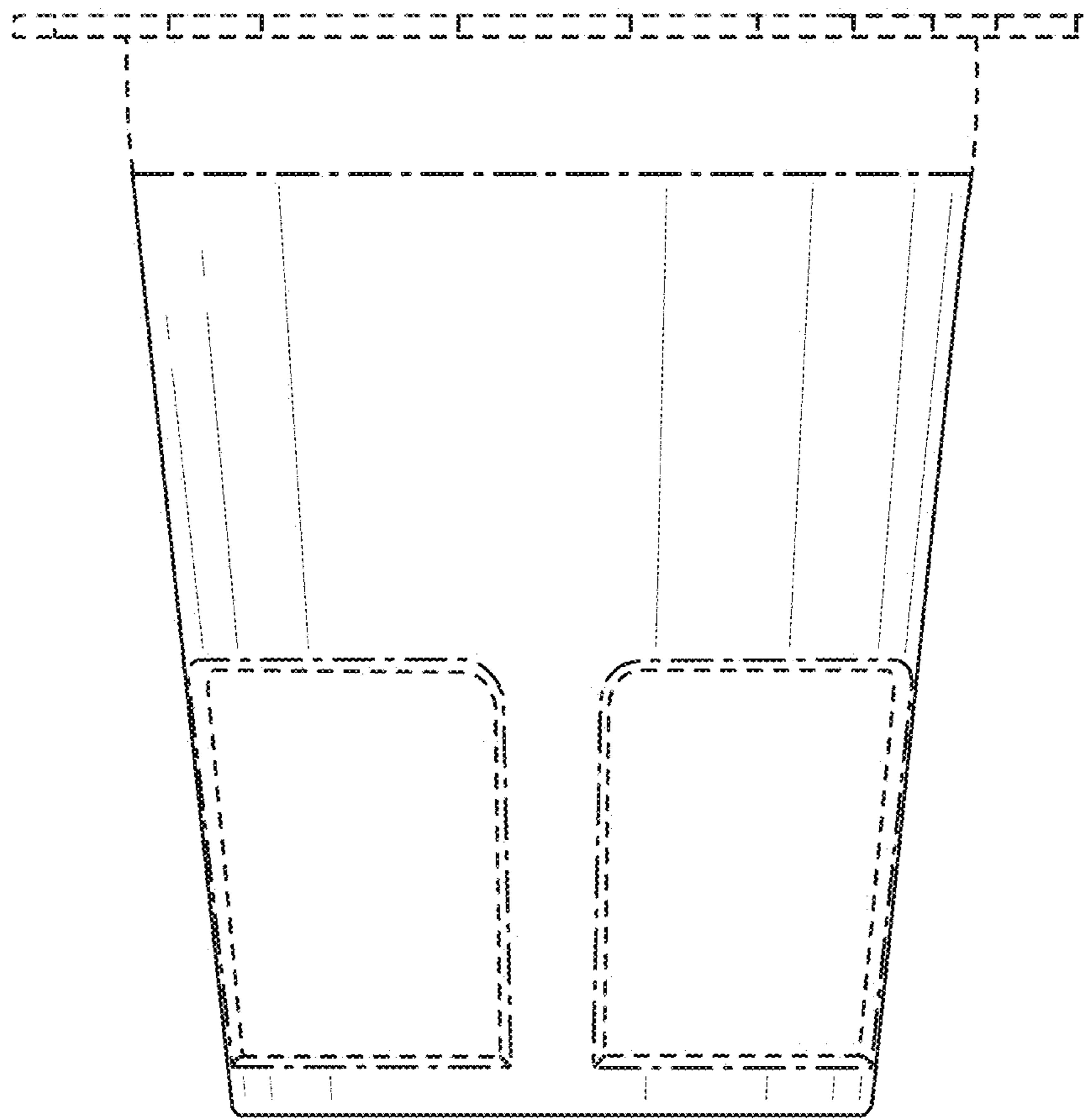


FIG. 4

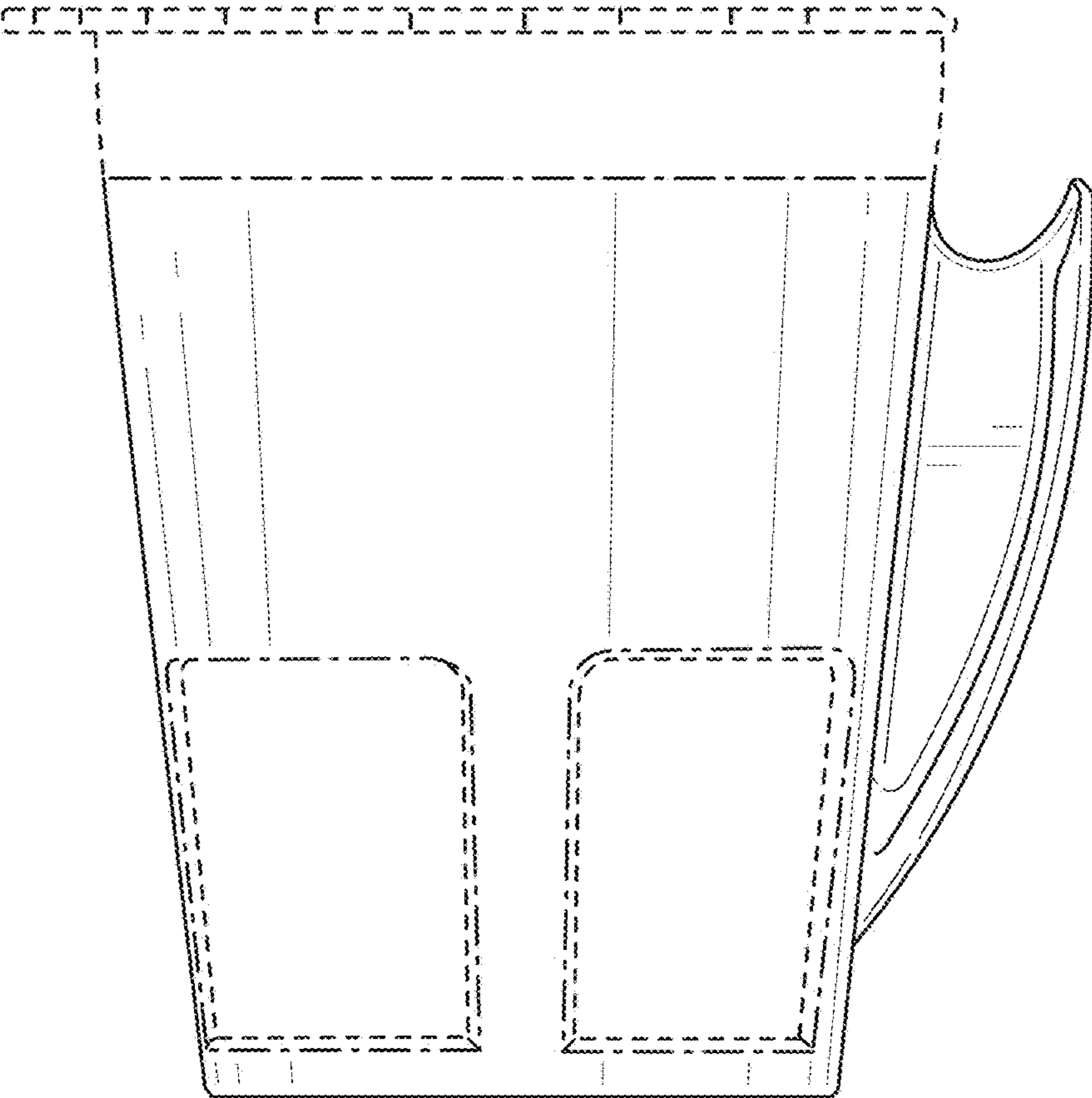


FIG. 5

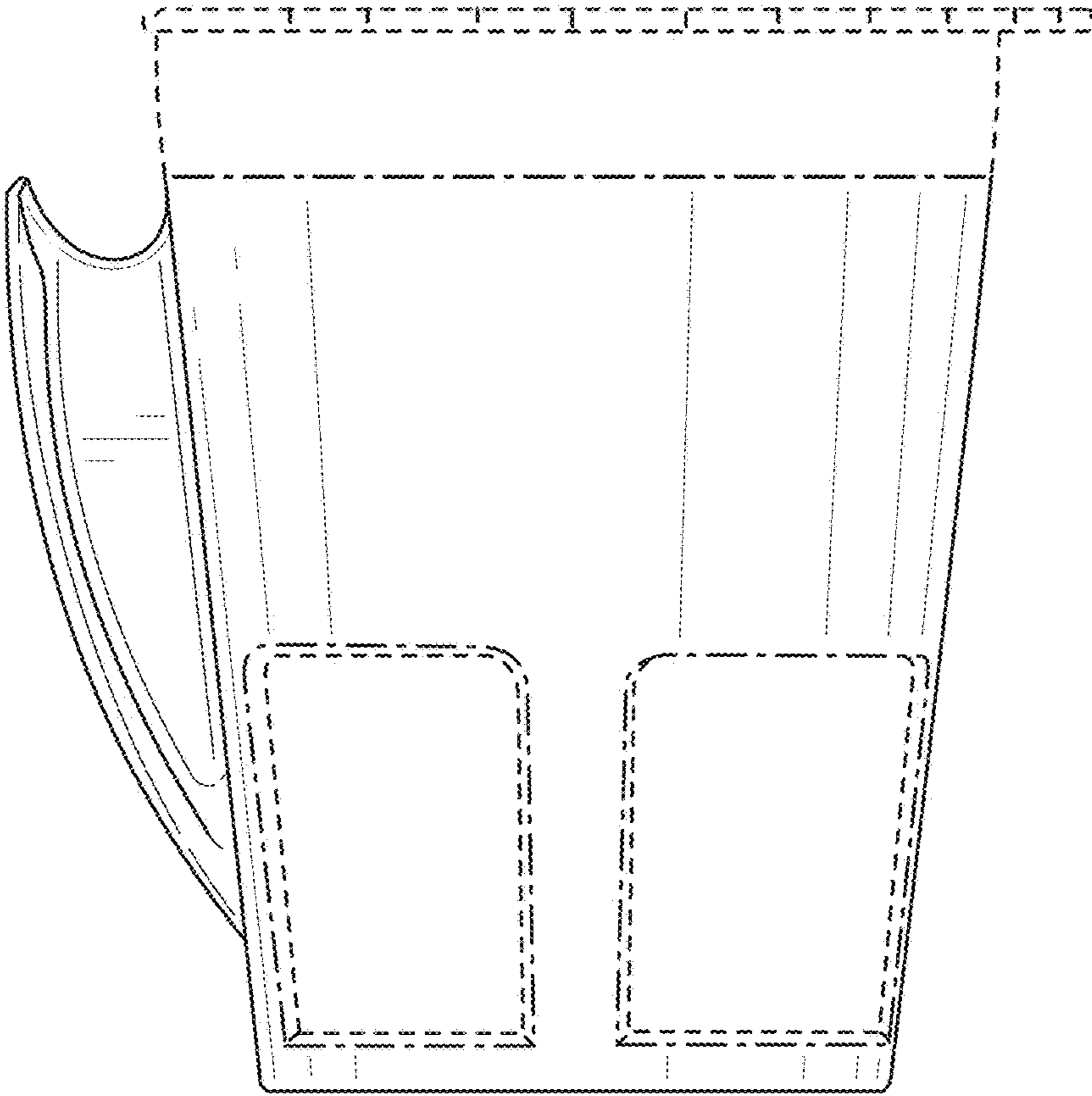


FIG. 6

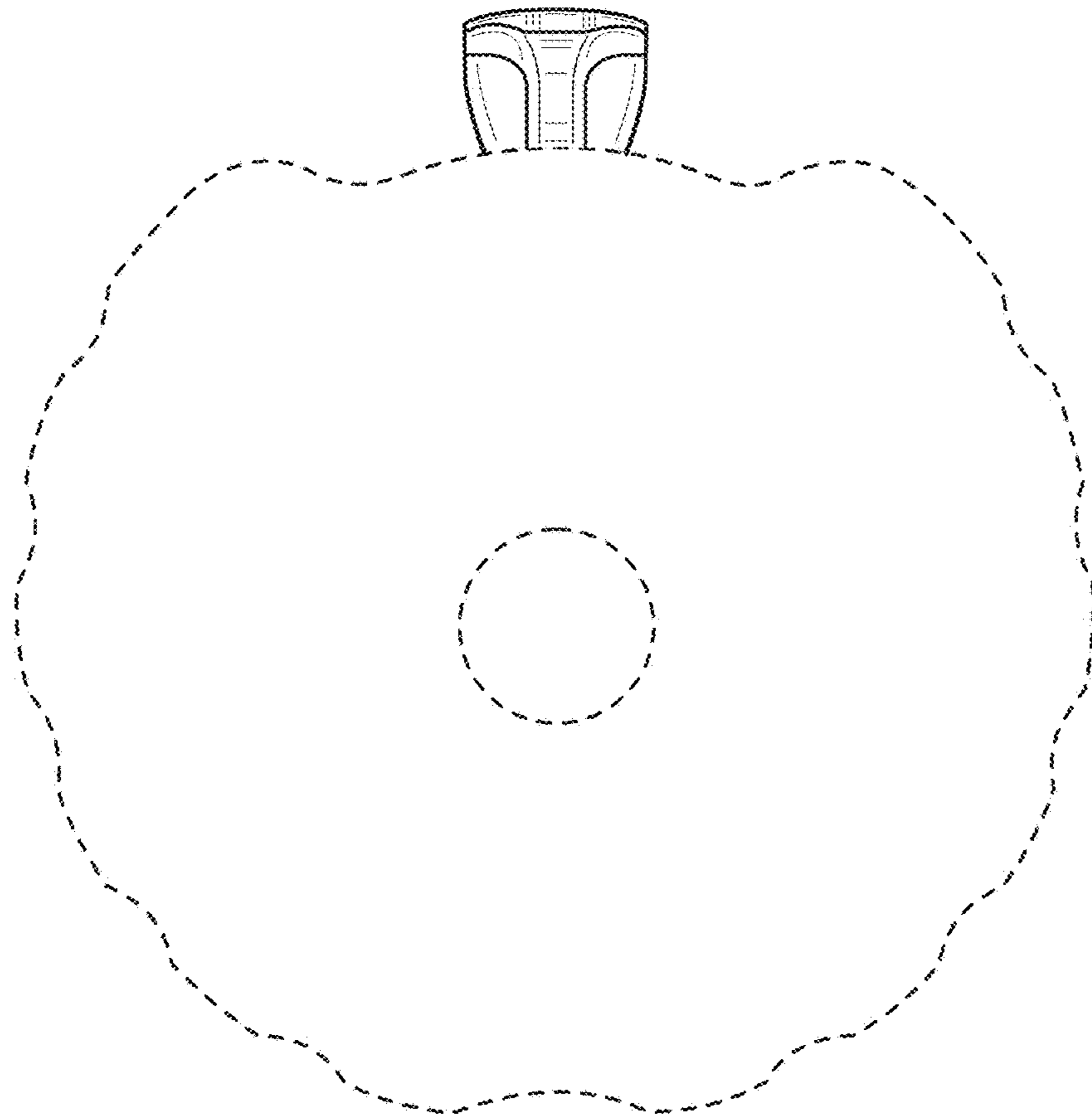


FIG. 7

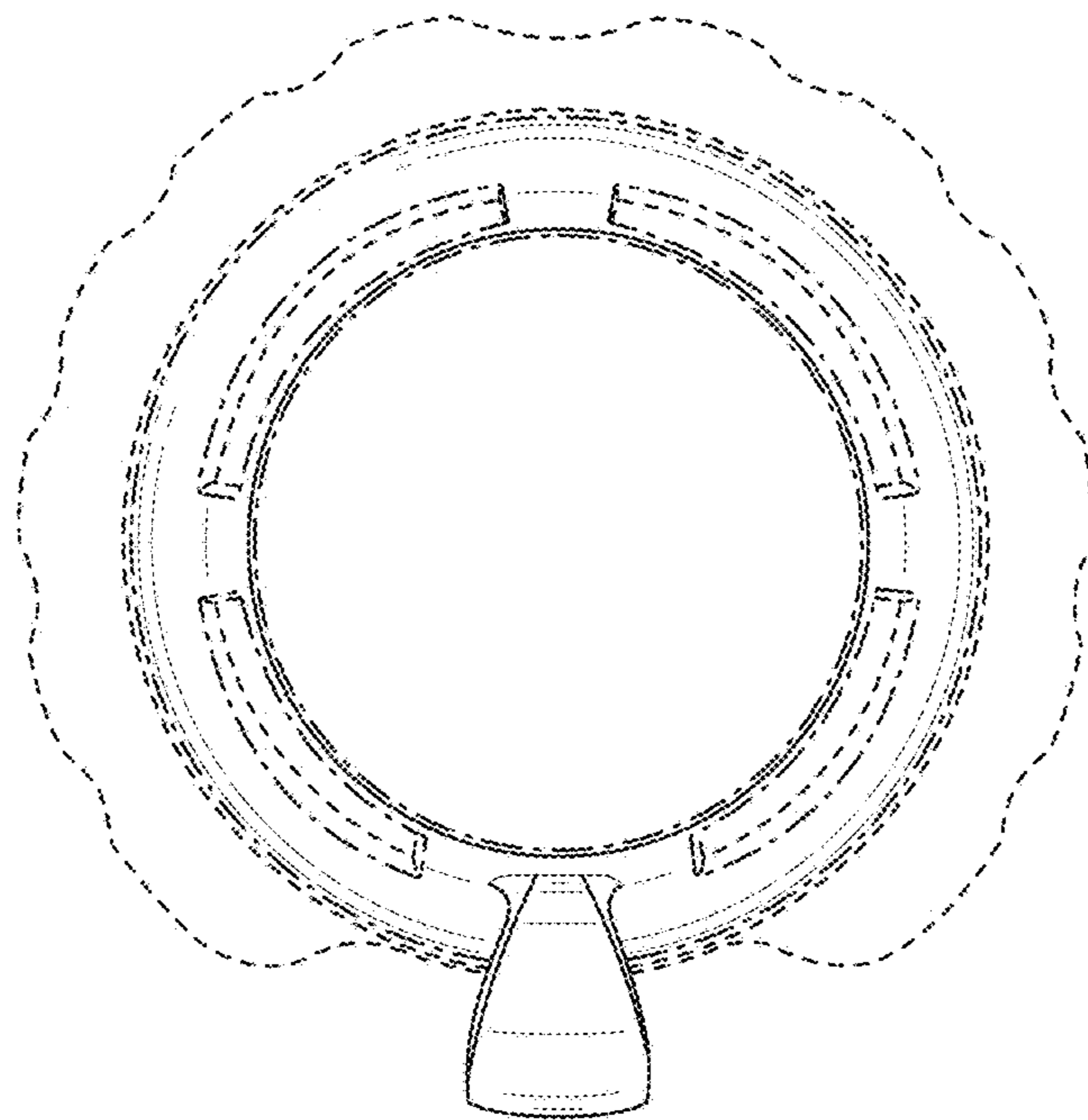


FIG. 8