



US00D789196S

(12) **United States Design Patent** (10) **Patent No.:** **US D789,196 S**
Waters (45) **Date of Patent:** **** Jun. 13, 2017**

(54) **PACKAGING**

(71) Applicant: **Optimal Recovery Rx, LLC**,
Cincinnati, OH (US)
(72) Inventor: **Glenn S. Waters**, Cincinnati, OH (US)
(73) Assignee: **Optimal Recovery Rx, LLC**,
Cincinnati, OH (US)

(**) Term: **15 Years**

(21) Appl. No.: **29/548,404**

(22) Filed: **Dec. 14, 2015**

(51) **LOC (10) Cl.** **09-03**

(52) **U.S. Cl.**
USPC **D9/433; D9/432**

(58) **Field of Classification Search**
USPC D9/414-434, 442-445, 456, 457, 542,
D9/563, 600, 614-624, 655, 657, 658,
D9/661, 685, 695, 697-699, 707, 708,
D9/711, 732, 754, 759, 772-776;
D3/273, 276, 304, 305, 307, 309-313;
D19/75, 90, 754, 759, 772-776
CPC B65D 5/00; B65D 5/001; B65D 5/0015;
B65D 5/0227-5/0254; B65D 5/18; B65D
5/6605; B65D 5/48024; B65B 5/06
See application file for complete search history.

(56) **References Cited**

U.S. PATENT DOCUMENTS

1,943,762 A * 1/1934 Harris B65D 5/00
229/103
D207,676 S * 5/1967 Tugwood D9/732
3,494,322 A * 2/1970 Dubbels A61J 1/035
116/308
D218,878 S * 10/1970 Dubbels D9/732
4,083,451 A * 4/1978 Hair B29C 65/02
206/461
D293,887 S * 1/1988 Webster D9/732

D305,960 S * 2/1990 Wolff D24/232
D315,176 S * 3/1991 Sukovich D20/18
D359,900 S * 7/1995 Hawthorne D9/415

(Continued)

Primary Examiner — Vy Koenig
Assistant Examiner — Omeed Agilee
(74) *Attorney, Agent, or Firm* — Pierce Atwood LLP;
Kevin M. Farrell; David J. Wilson

(57) **CLAIM**

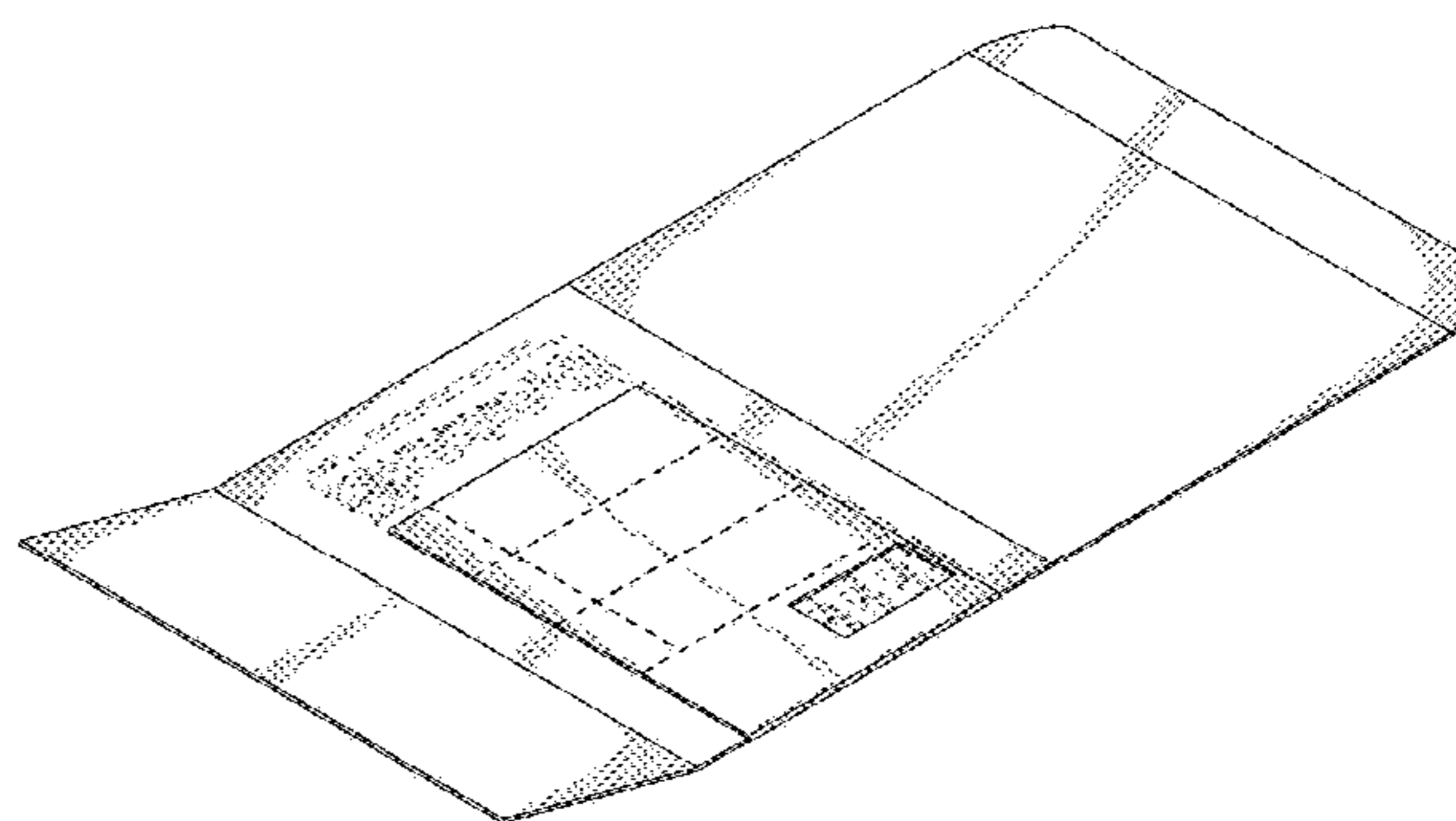
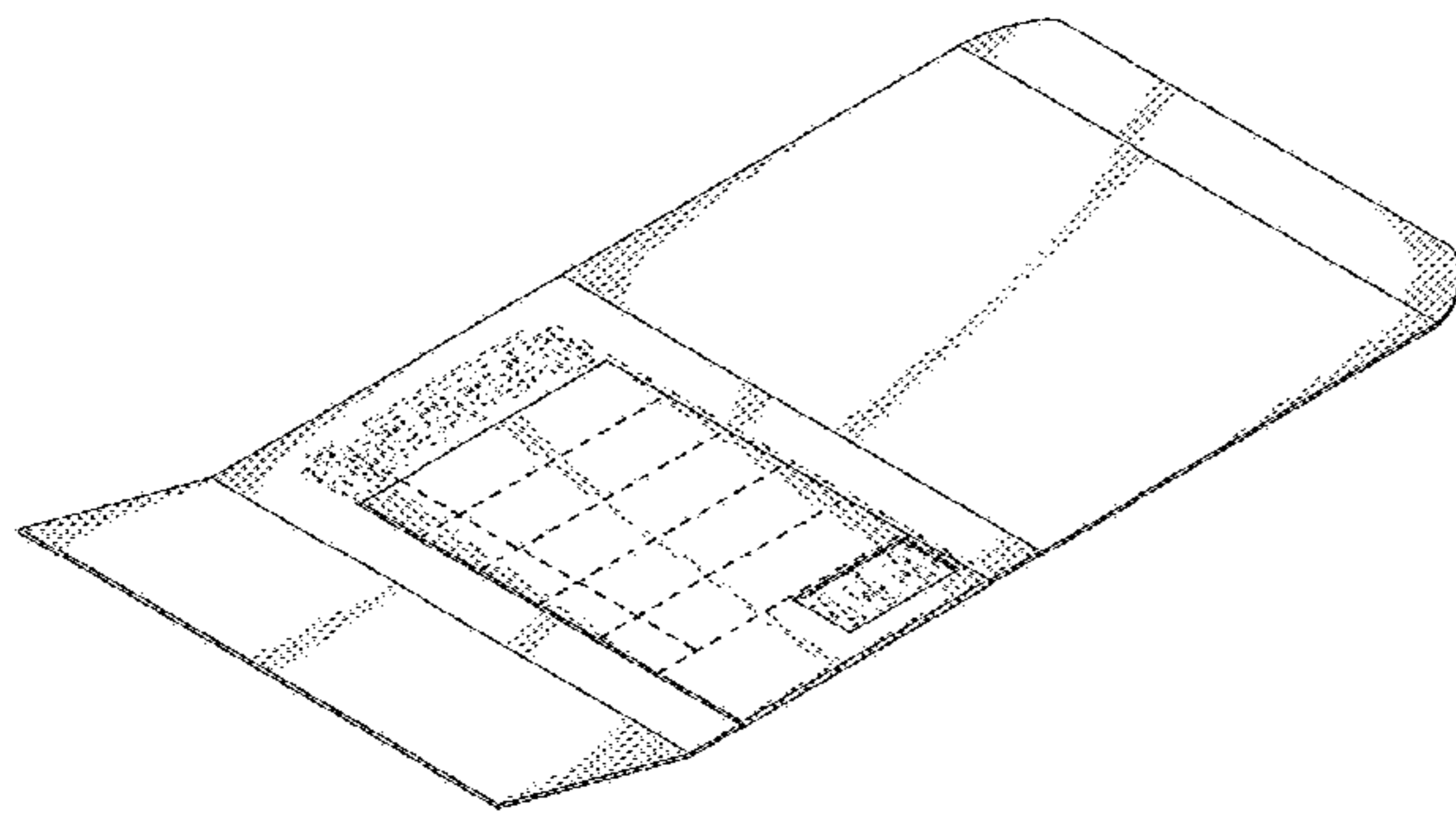
The ornamental design for a packaging, as shown and described.

DESCRIPTION

FIG. 1 is an unfolded perspective view of the first embodiment for packaging showing my new design;
FIG. 2 is an unfolded top view thereof;
FIG. 3 is a front view thereof;
FIG. 4 is a back view thereof;
FIG. 5 is a bottom view thereof;
FIG. 6 is a left side view thereof;
FIG. 7 is a right side view thereof;
FIG. 8 is a perspective view thereof in a partially folded configuration;
FIG. 9 is a perspective view thereof in a fully folded configuration;
FIG. 10 is an unfolded perspective view of the second embodiment for packaging showing my new design;
FIG. 11 is a top view thereof;
FIG. 12 is a front view thereof;
FIG. 13 is a back view thereof;
FIG. 14 is a bottom view thereof; and,
FIG. 15 is a perspective view thereof in a partially folded configuration.

The thick broken lines denote perforation and are part of the claimed design. The thin broken lines denote indicia and form no part of the claimed invention. The drawings are depicted in the environment of medication packaging, with medication-associated indicia shown in thin broken lines and forming no part of the claimed invention.

1 Claim, 10 Drawing Sheets



(56)

References Cited

U.S. PATENT DOCUMENTS

D511,303 S *	11/2005	Smith	D9/732
D665,665 S *	8/2012	Seneca	D9/433
D684,482 S *	6/2013	Stevens	D9/732
D716,547 S *	11/2014	Pennington	D3/262
D738,722 S *	9/2015	Bennefeld	D9/432
D764,790 S *	8/2016	Vruwink	D3/232
D770,774 S *	11/2016	Potters	D3/318
2013/0199957 A1 *	8/2013	Franko, Sr.	A45D 44/005 206/459.5
2016/0200476 A1 *	7/2016	Kobbe	B65D 5/443 206/63.5

* cited by examiner

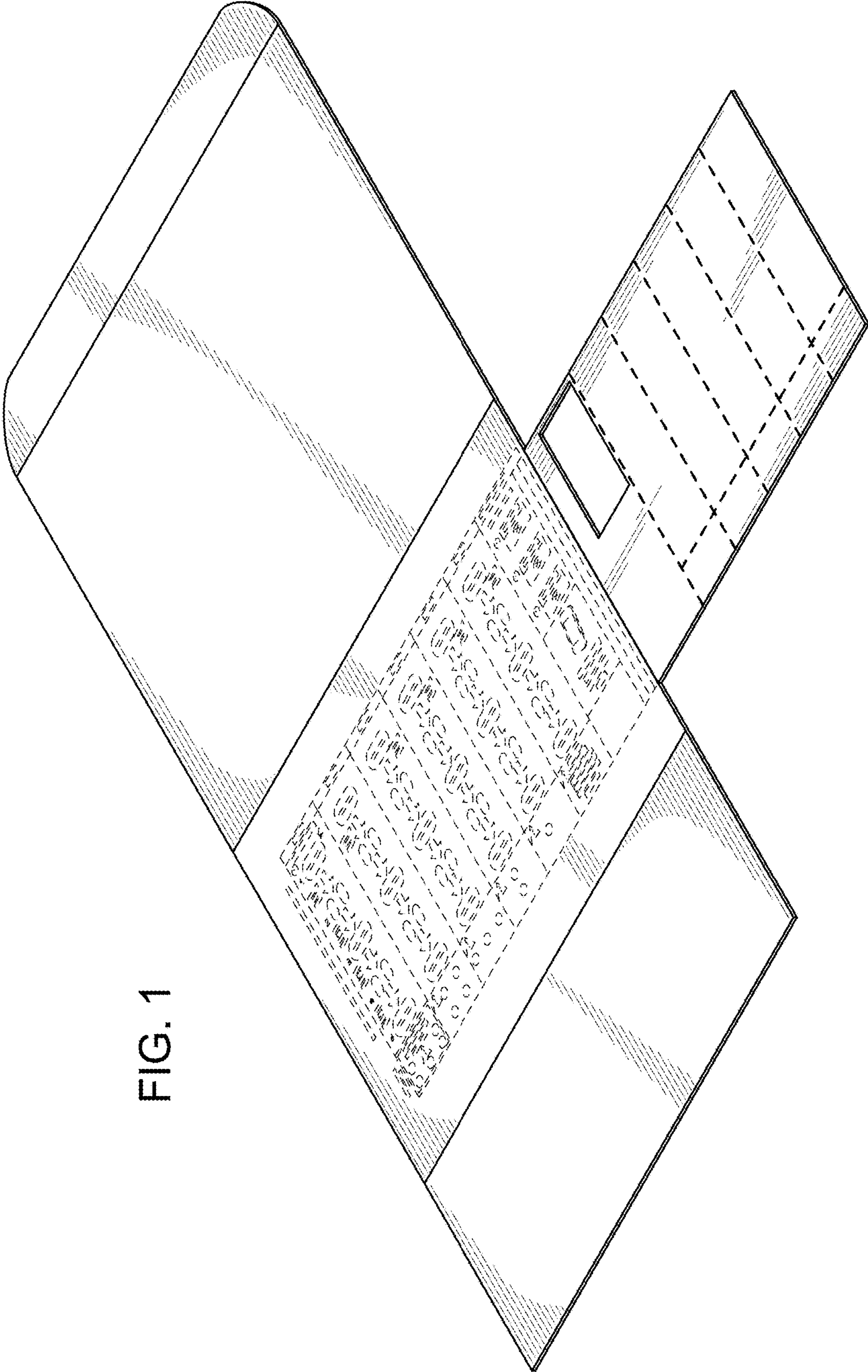


FIG. 1

FIG. 2

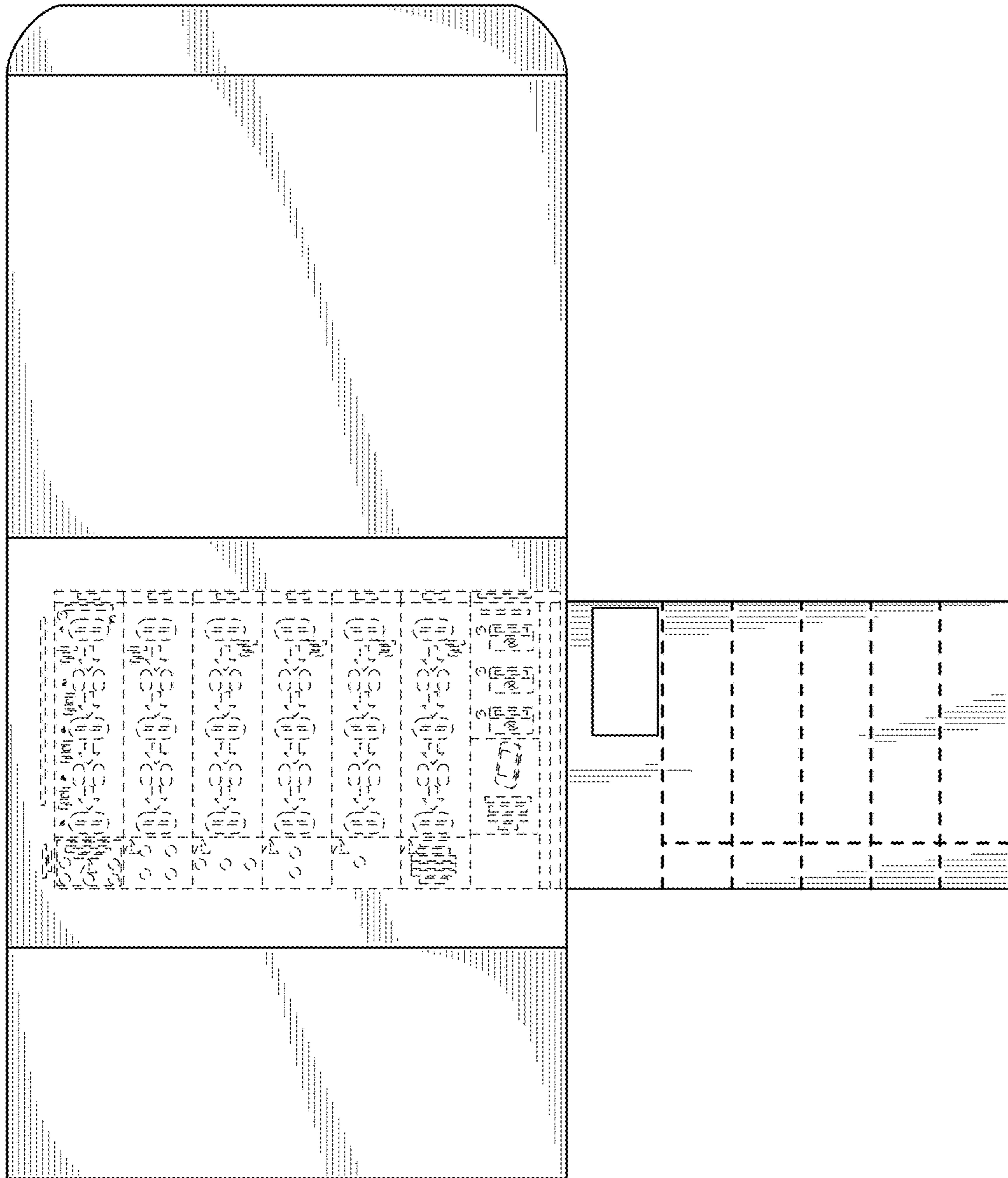


FIG. 3

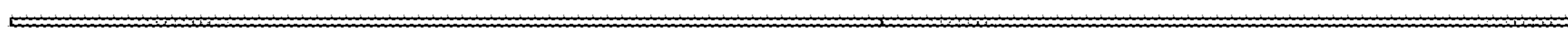


FIG. 4

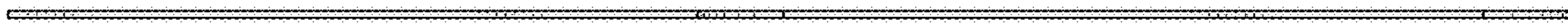


FIG. 5



FIG. 6

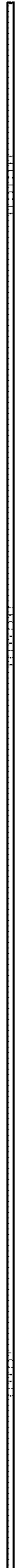


FIG. 7



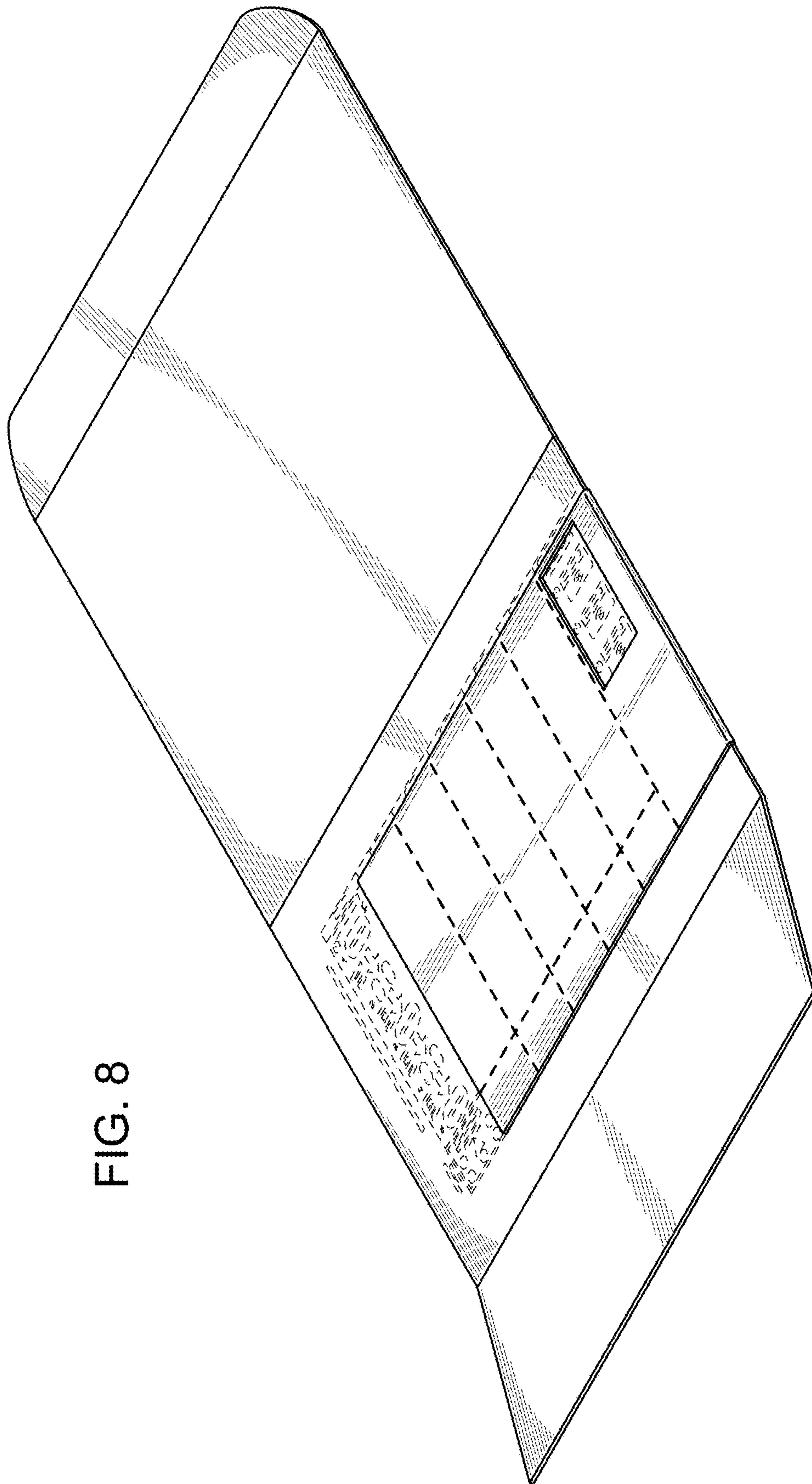
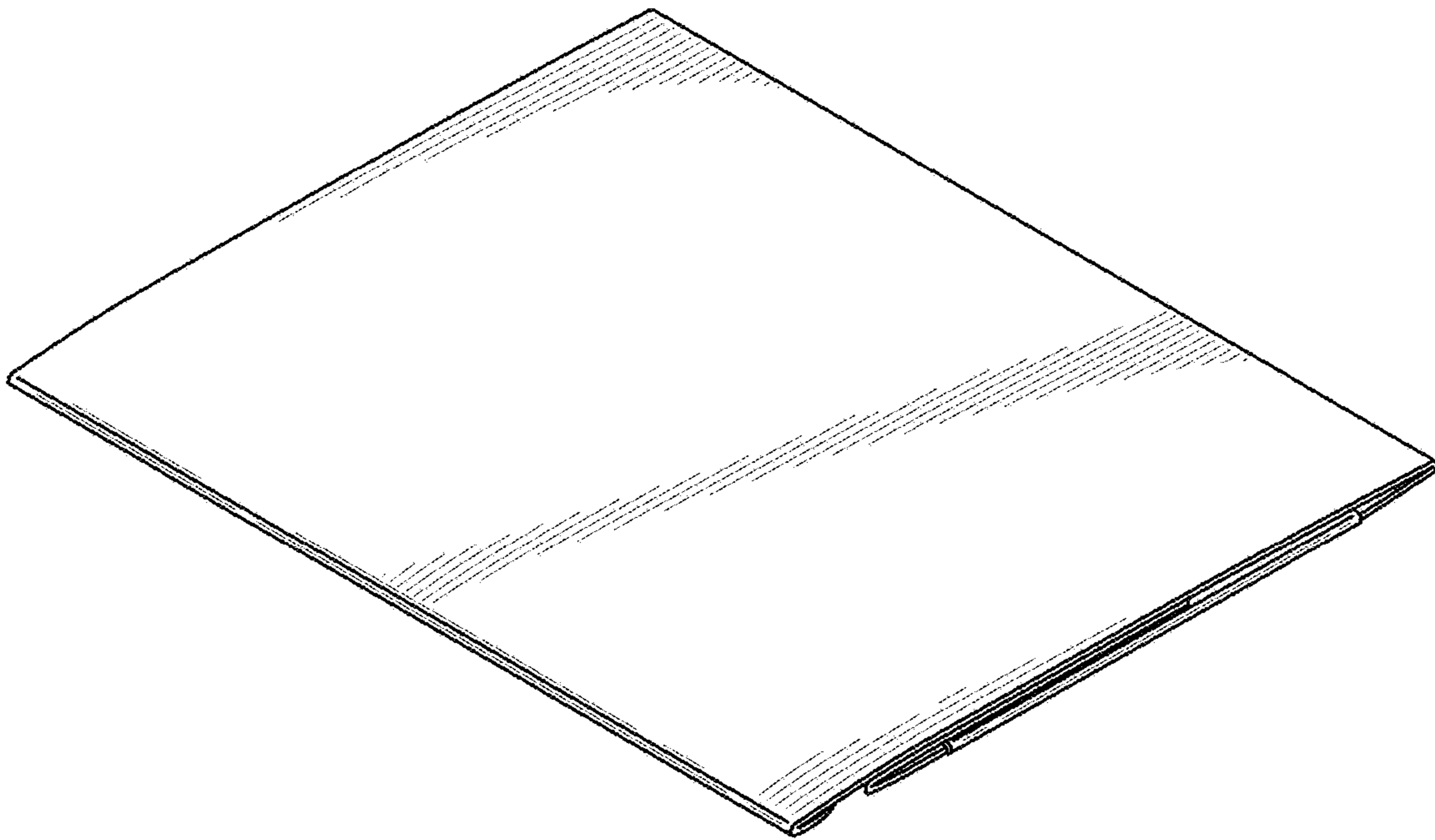


FIG. 8

FIG. 9



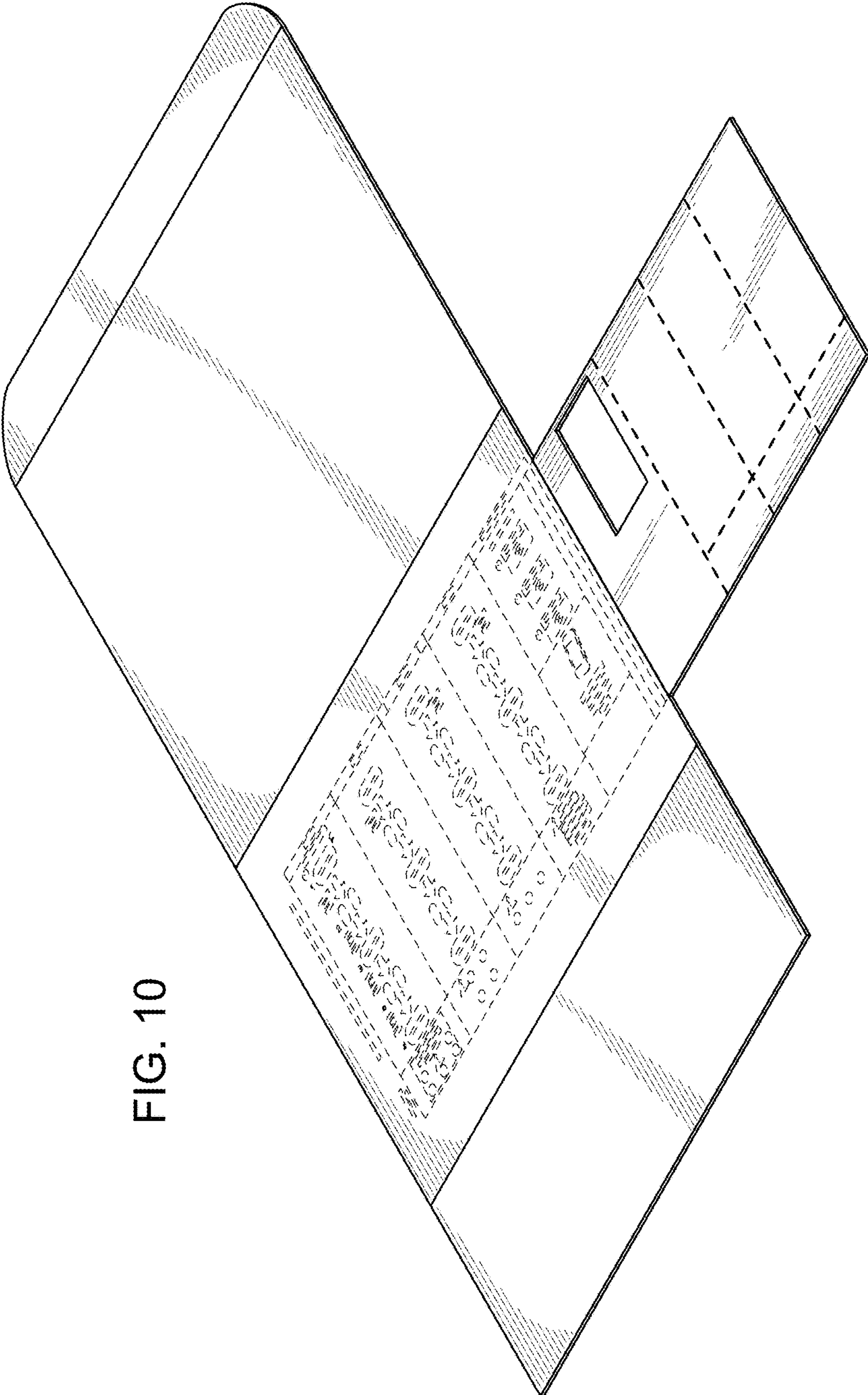


FIG. 10

FIG. 11

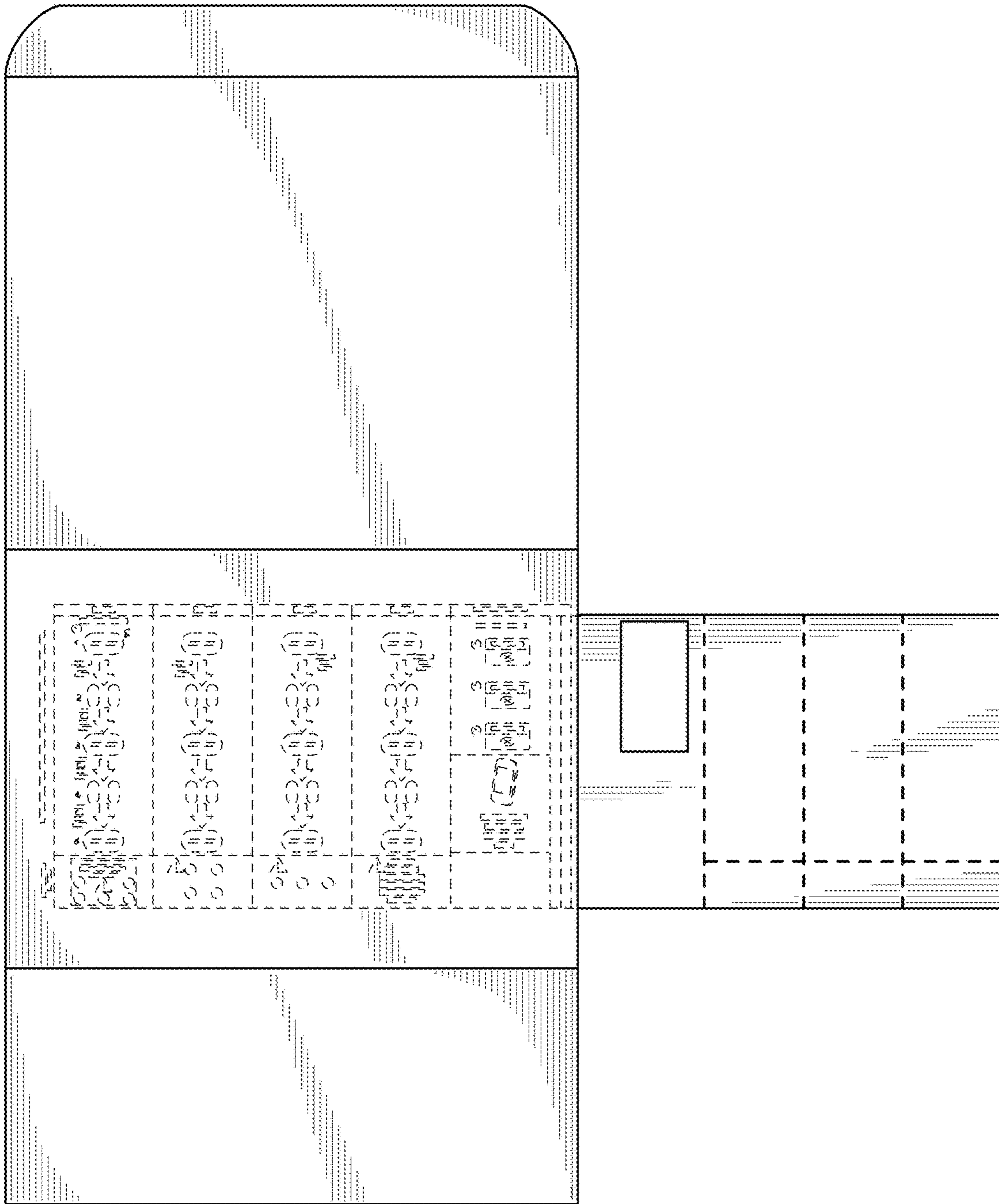


FIG. 12

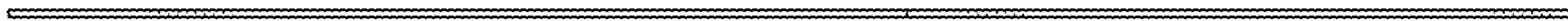


FIG. 13

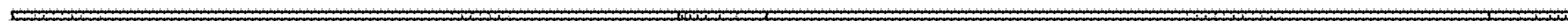
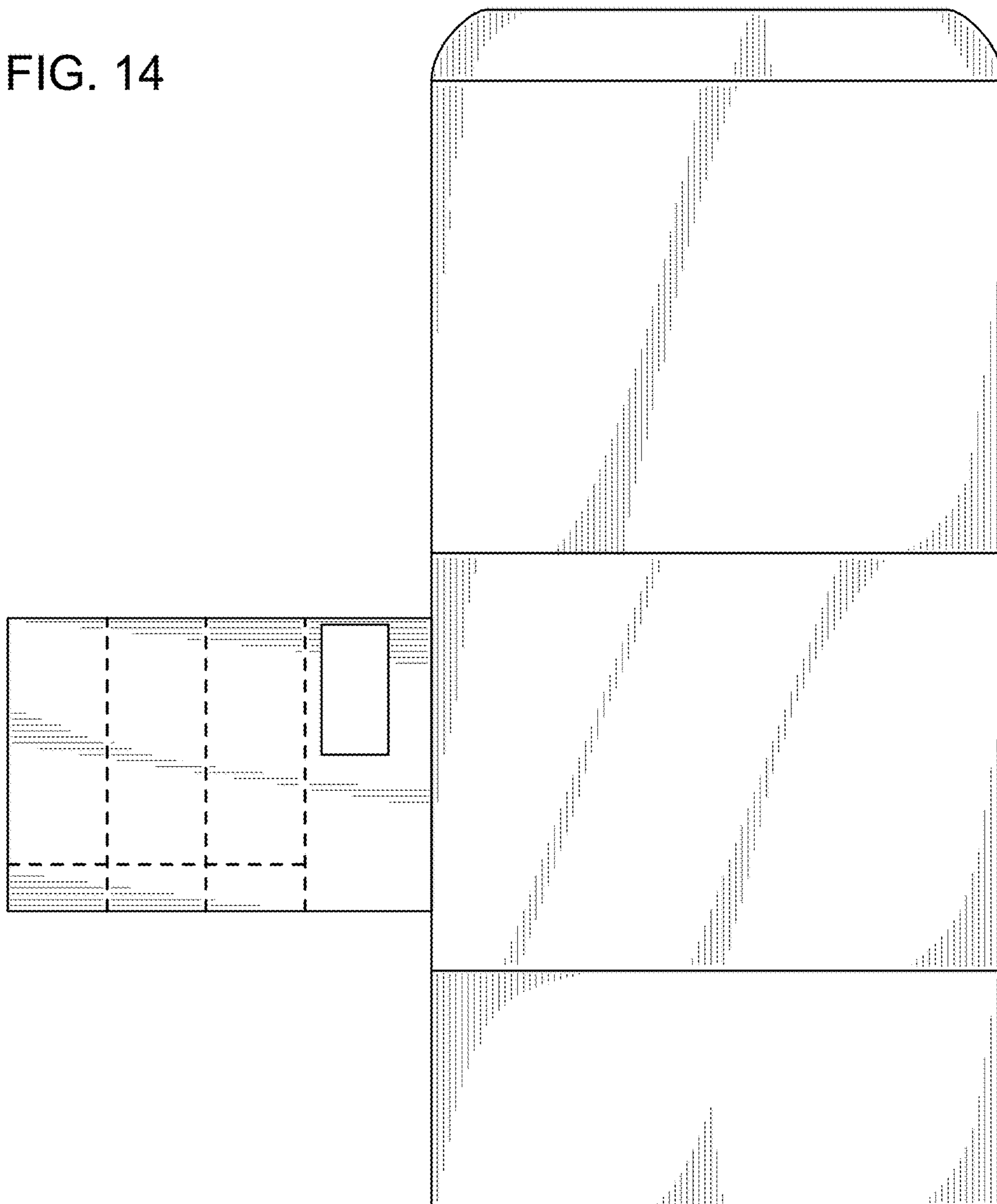


FIG. 14



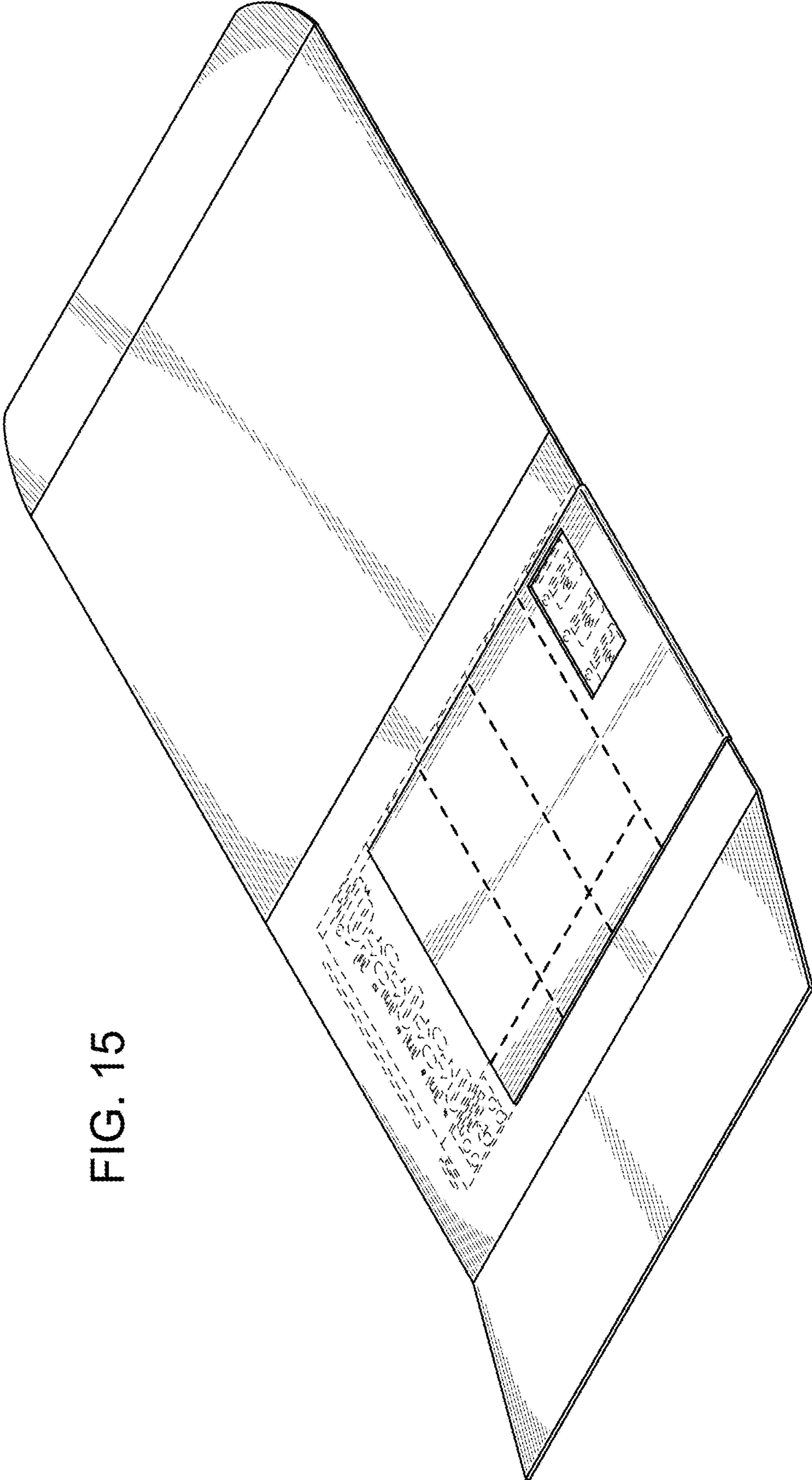


FIG. 15