



US00D789195S

(12) **United States Design Patent**  
**Pickard et al.**

(10) **Patent No.:** **US D789,195 S**  
(45) **Date of Patent:** **\*\* Jun. 13, 2017**

(54) **PACKAGING CONTAINER FOR PRODUCE**

**DESCRIPTION**

- (71) Applicant: **ORORA NORTH AMERICA**, Buena Park, CA (US)
- (72) Inventors: **Keith Pickard**, Ontario (CA); **Charles Erway**, Cadillac, MI (US)
- (73) Assignee: **ORORA PACKAGING SOLUTIONS**, Buena Park, CA (US)
- (\*\*) Term: **15 Years**
- (21) Appl. No.: **29/562,176**
- (22) Filed: **Apr. 22, 2016**
- (51) **LOC (10) Cl.** ..... **09-03**
- (52) **U.S. Cl.**  
USPC ..... **D9/425**
- (58) **Field of Classification Search**  
USPC ..... D7/396.1, 538-545, 602, 608, 629;  
D9/414, 420, 424-429, 432, 761;  
(Continued)

FIG. 1 is a top, front, right side perspective view of embodiment one, of a packaging container for produce, showing our new design;  
 FIG. 2 is a bottom, rear, left side perspective view of the packaging container for produce of FIG. 1;  
 FIG. 3 is a front elevational view of the packaging container for produce of FIG. 1;  
 FIG. 4 is a rear elevational view of the packaging container for produce of FIG. 1;  
 FIG. 5 is a left side elevational view of the packaging container for produce of FIG. 1;  
 FIG. 6 is a right side elevational view of the packaging container for produce of FIG. 1;  
 FIG. 7 is a top plan view of the packaging container for produce of FIG. 1;  
 FIG. 8 is a bottom plan view of the packaging container for produce of FIG. 1;  
 FIG. 9 is a cross-sectional view of the packaging container for produce of FIG. 1, taken along line 9-9 in FIG. 7;  
 FIG. 10 is a top, front, right side perspective view of embodiment two, of a packaging container for produce, showing our new design;  
 FIG. 11 is a bottom, rear, left side perspective view of the packaging container for produce of FIG. 10;  
 FIG. 12 is a front elevational view of the packaging container for produce of FIG. 10;  
 FIG. 13 is a rear elevational view of the packaging container for produce of FIG. 10;  
 FIG. 14 is a left side elevational view of the packaging container for produce of FIG. 10;  
 FIG. 15 is a right side elevational view of the packaging container for produce of FIG. 10;  
 FIG. 16 is a top plan view of the packaging container for produce of FIG. 10;  
 FIG. 17 is a bottom plan view of the packaging container for produce of FIG. 10;  
 FIG. 18 is a cross-sectional view of the packaging container for produce of FIG. 10, taken along line 18-18 in FIG. 16;  
 FIG. 19 is a top, front, right side perspective view of embodiment three, of a packaging container for produce, showing our new design;

(Continued)

(56) **References Cited**

**U.S. PATENT DOCUMENTS**

- D211,682 S \* 7/1968 Eicholtz et al. .... D9/425
  - D378,552 S \* 3/1997 Lippisch ..... D3/273
- (Continued)

**OTHER PUBLICATIONS**

- U.S. Appl. No. 29/562,181, filed Apr. 2016, Pickard et al.
- U.S. Appl. No. 15/229,023, filed Aug. 2016, Pickard et al.

*Primary Examiner* — Derrick Holland  
*Assistant Examiner* — Janice Lim  
 (74) *Attorney, Agent, or Firm* — Martin & Ferraro, LLP

(57) **CLAIM**

The ornamental design for a packaging container for produce, as shown and described.

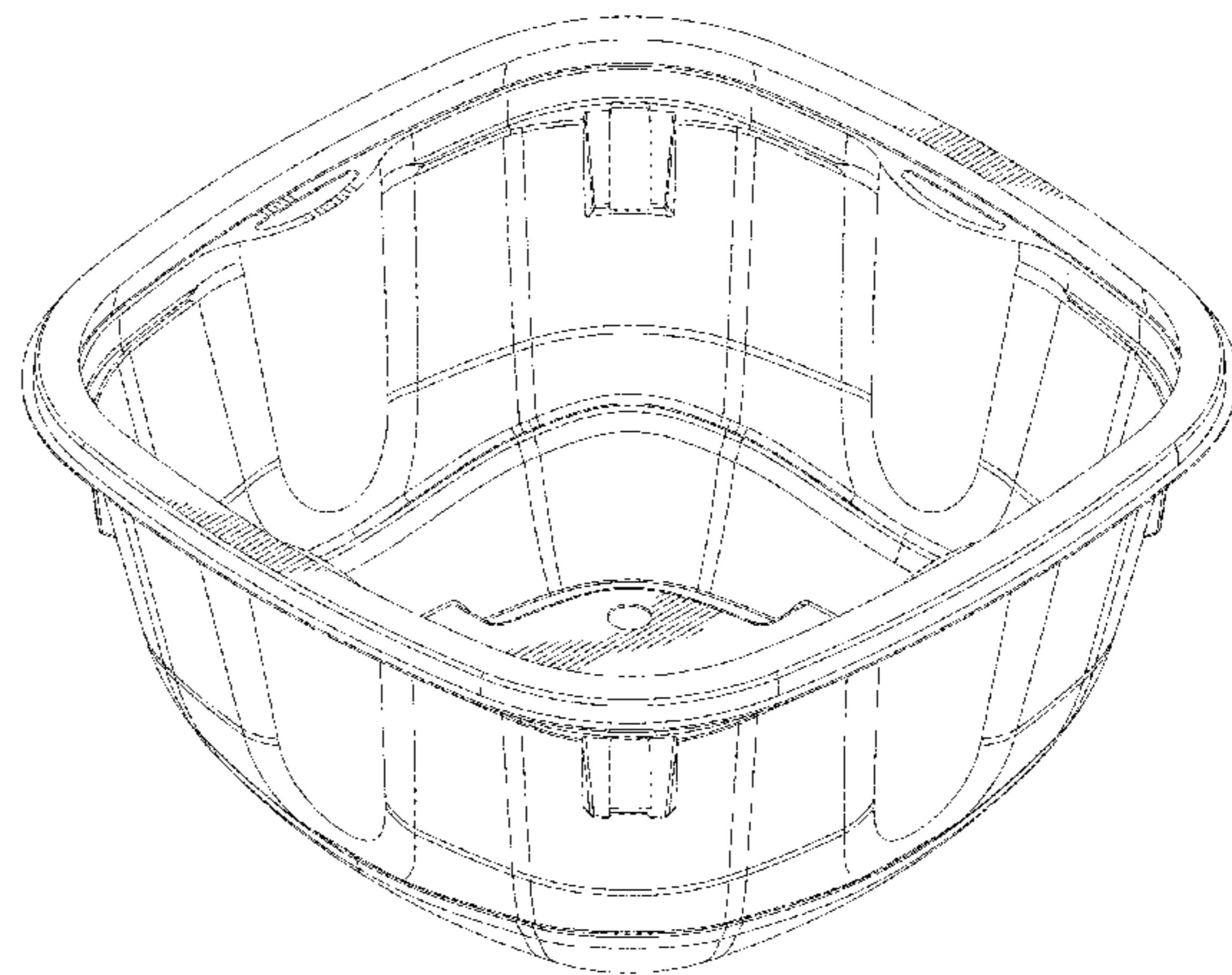
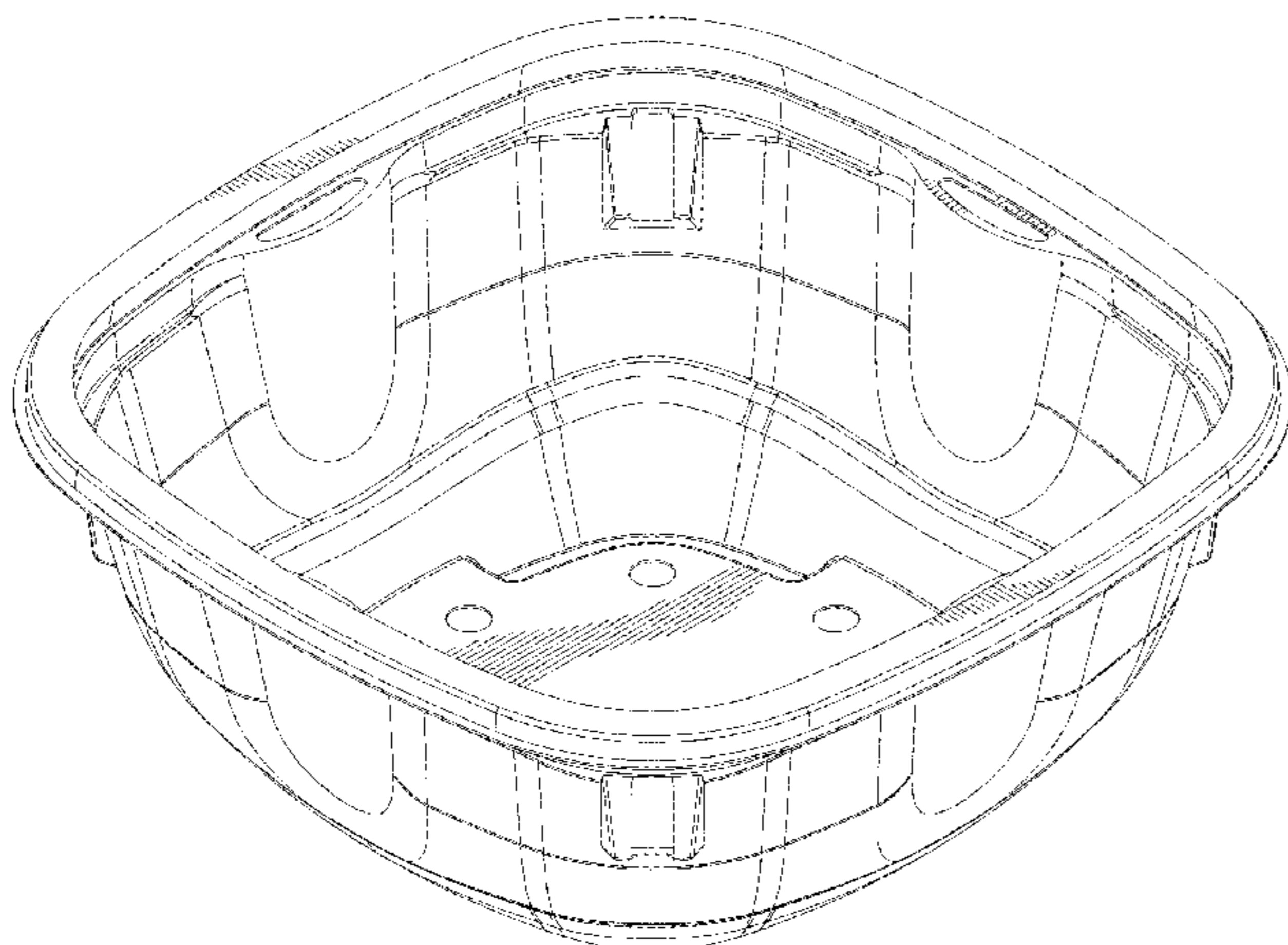


FIG. 20 is a bottom, rear, left side perspective view of the packaging container for produce of FIG. 19;  
 FIG. 21 is a front elevational view of the packaging container for produce of FIG. 19;  
 FIG. 22 is a rear elevational view of the packaging container for produce of FIG. 19;  
 FIG. 23 is a left side elevational view of the packaging container for produce of FIG. 19;  
 FIG. 24 is a right side elevational view of the packaging container for produce of FIG. 19;  
 FIG. 25 is a top plan view of the packaging container for produce of FIG. 19;  
 FIG. 26 is a bottom plan view of the packaging container for produce of FIG. 19; and,  
 FIG. 27 is a cross-sectional view of the packaging container for produce of FIG. 19, taken along line 27-27 in FIG. 25.

**1 Claim, 21 Drawing Sheets**

(58) **Field of Classification Search**  
 USPC .... 206/501-509, 512; 220/4.23-4.24, 23.86,  
 220/780, 781, 791-793, 835, 839

CPC ..... B65D 1/24; B65D 25/04; B65D 43/03;  
 B65D 43/16  
 See application file for complete search history.

(56)

**References Cited**

U.S. PATENT DOCUMENTS

D415,935	S	*	11/1999	Martinez	.....	D7/602
D485,473	S	*	1/2004	Dais	.....	D7/629
D496,272	S	*	9/2004	Jackson	.....	D7/602
D502,096	S	*	2/2005	Wilcock	.....	D9/425
D514,441	S	*	2/2006	Snedden	.....	D9/418
D514,931	S		2/2006	Snedden et al.		
D558,045	S		12/2007	Templeton		
D562,128	S		2/2008	van de Velde		
D656,369	S	*	3/2012	Everson	.....	B65D 43/162 D7/629
D678,050	S	*	3/2013	Birchmeier	.....	D9/424
D685,628	S		7/2013	Durdon et al.		
D692,748	S		11/2013	Short et al.		
D696,111	S	*	12/2013	Sundy	.....	D9/429
2008/0135556	A1	*	6/2008	Bontrager	.....	B65D 1/34 220/260
2009/0120937	A1	*	5/2009	Vovan	.....	B65D 43/0206 220/266

\* cited by examiner



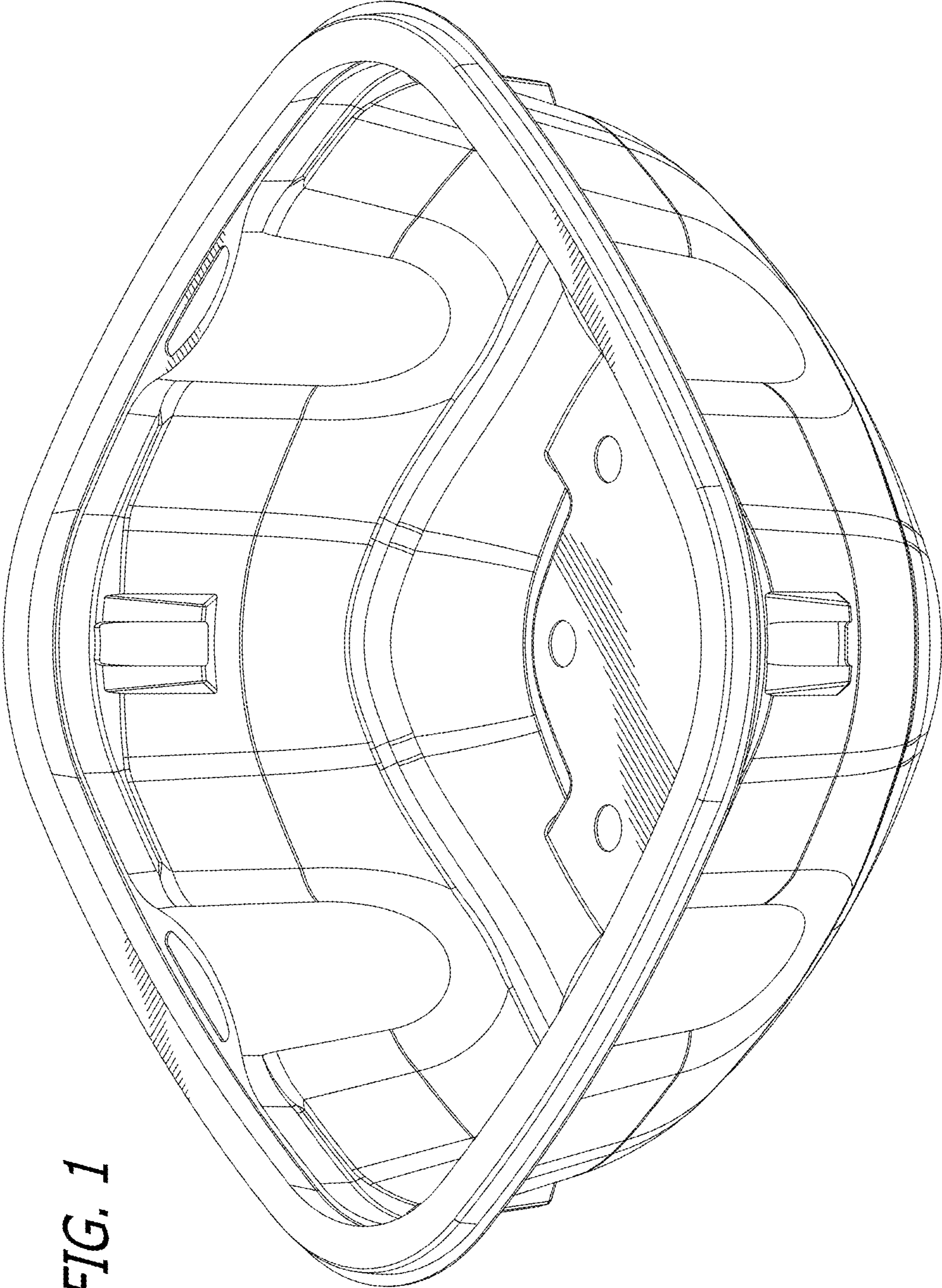


FIG. 1

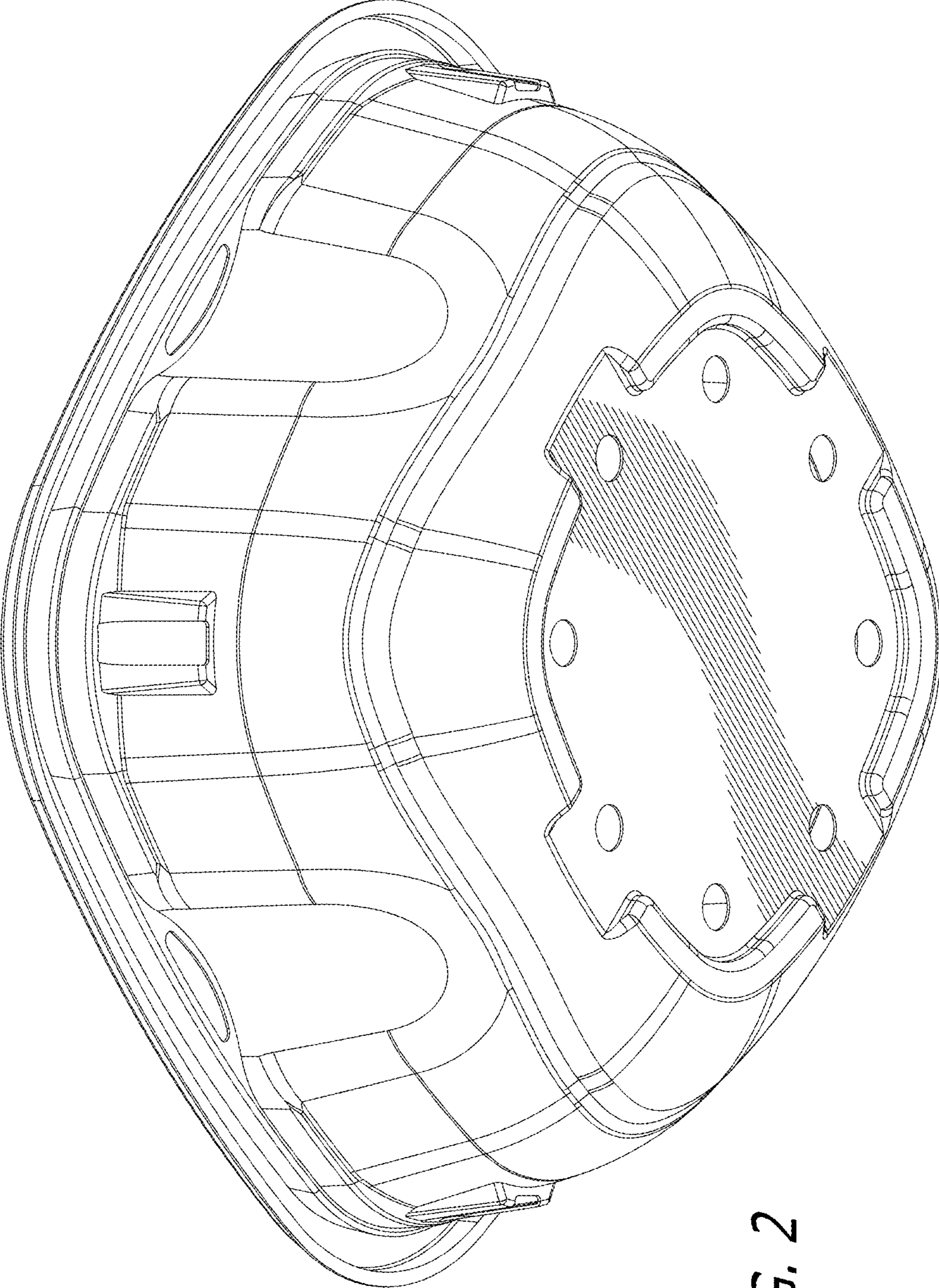


FIG. 2



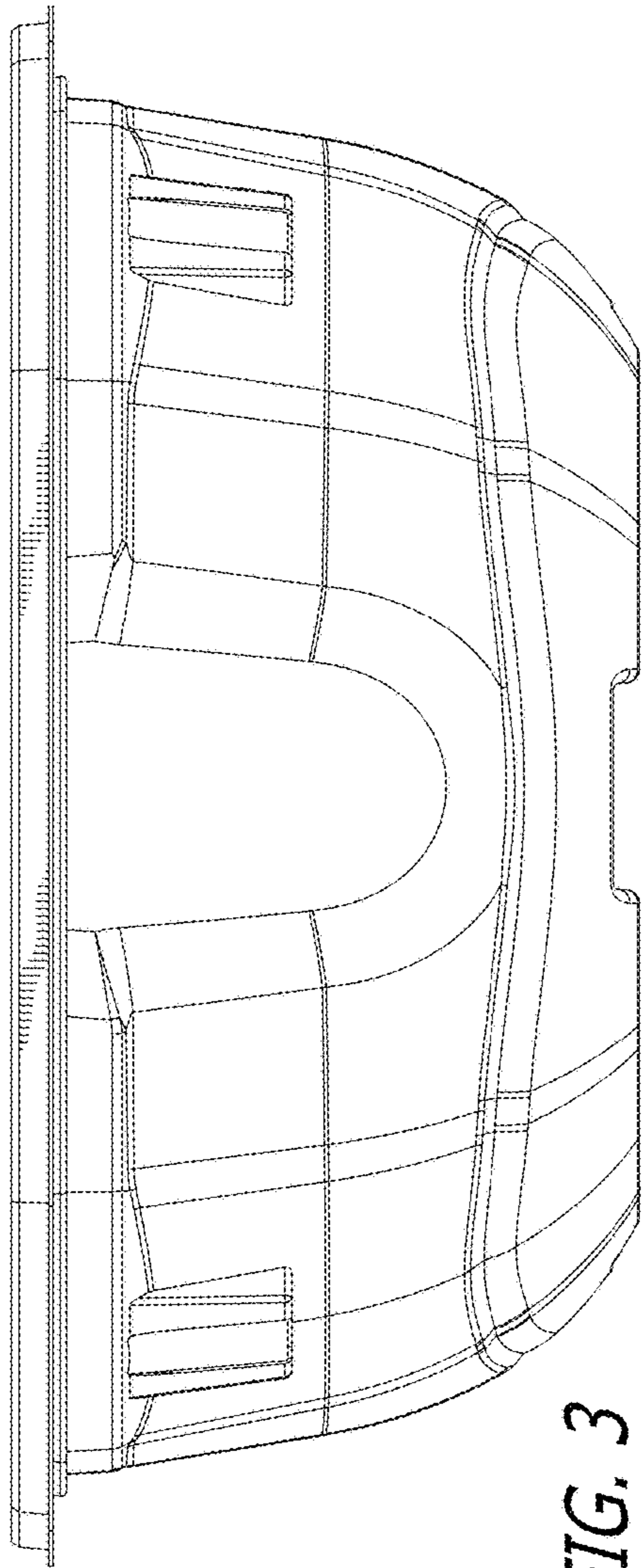


FIG. 3

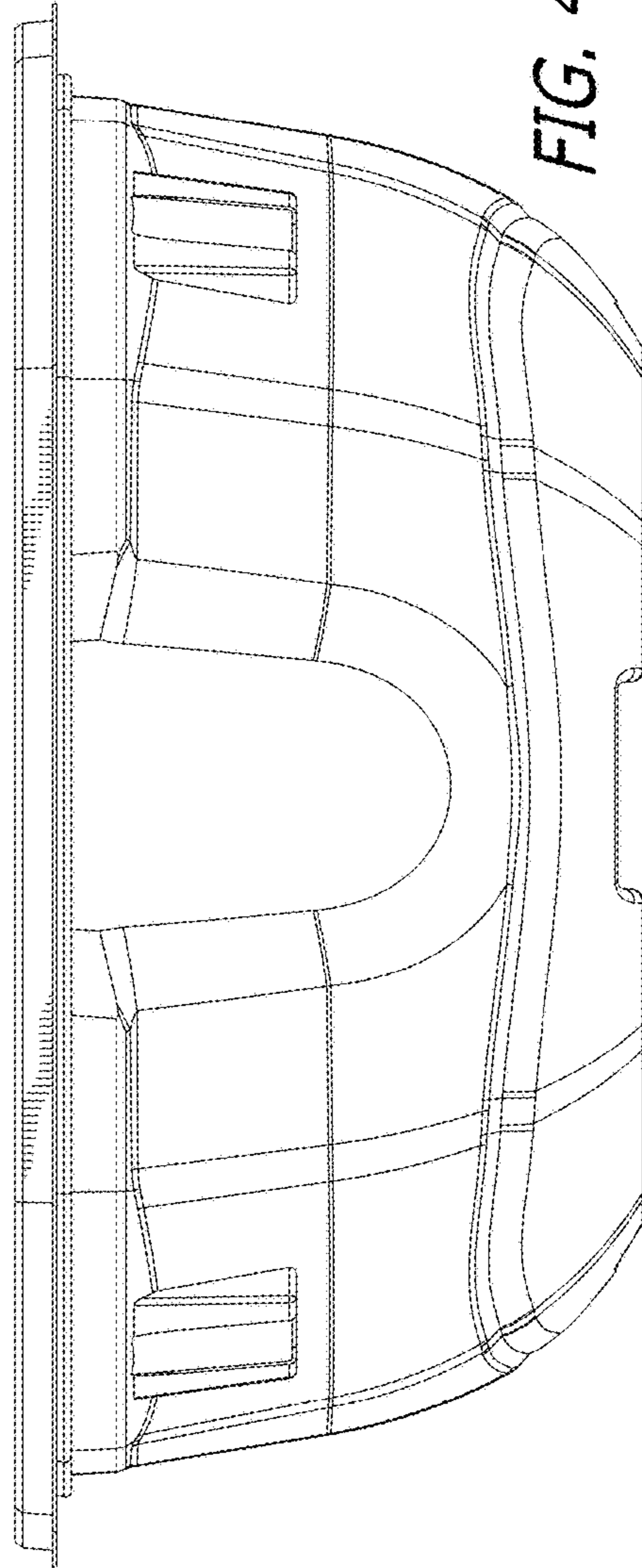


FIG. 4

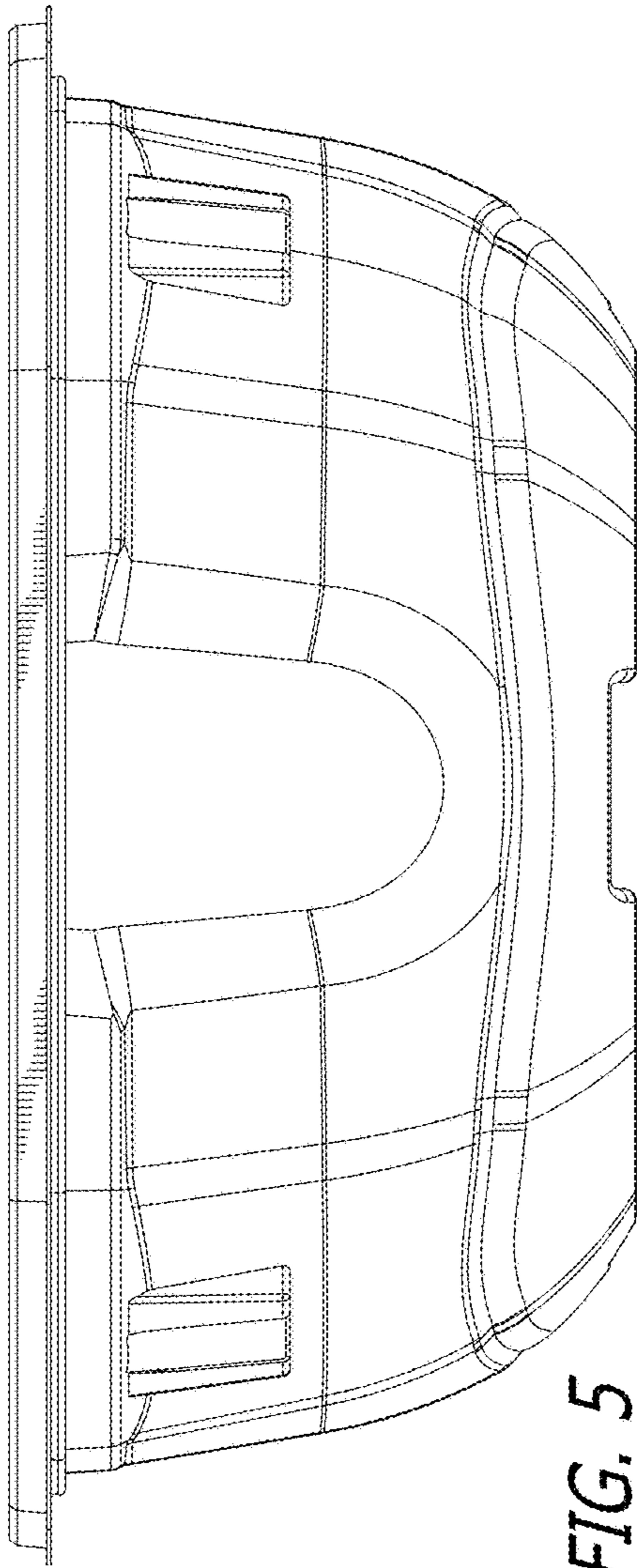


FIG. 5

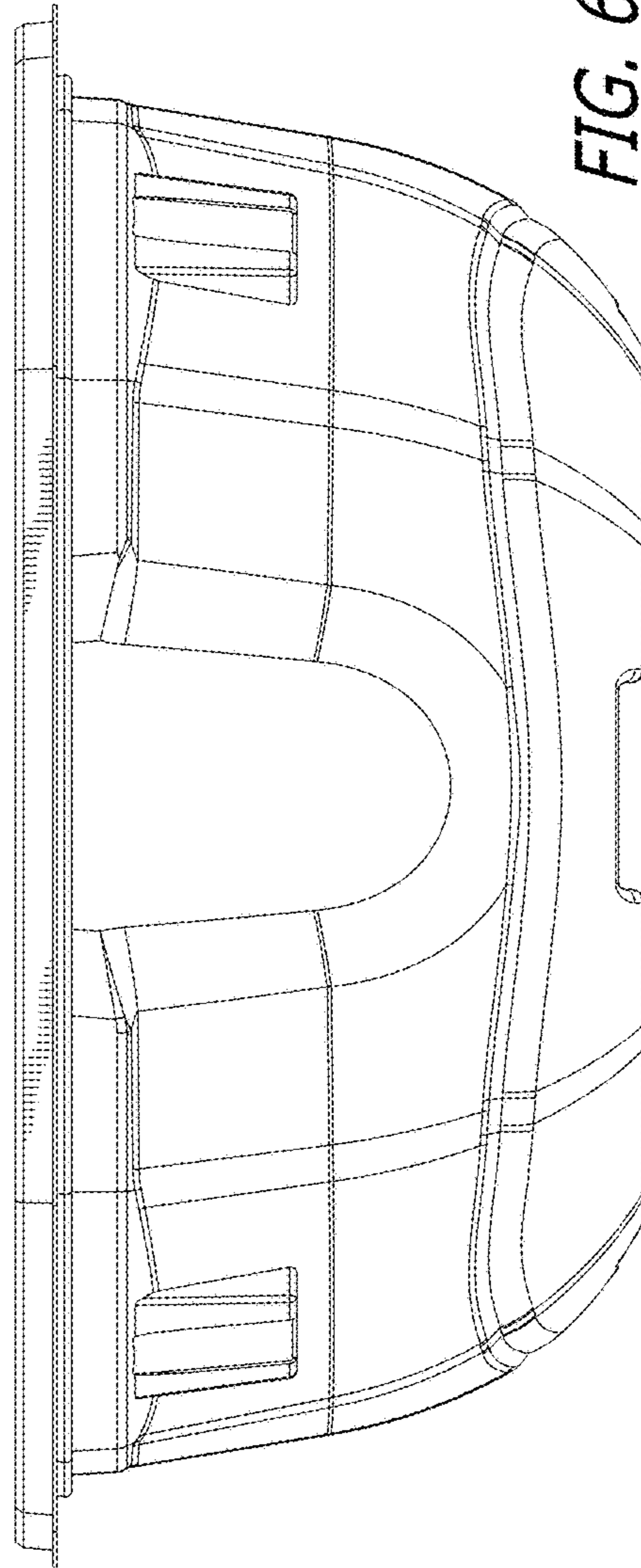


FIG. 6

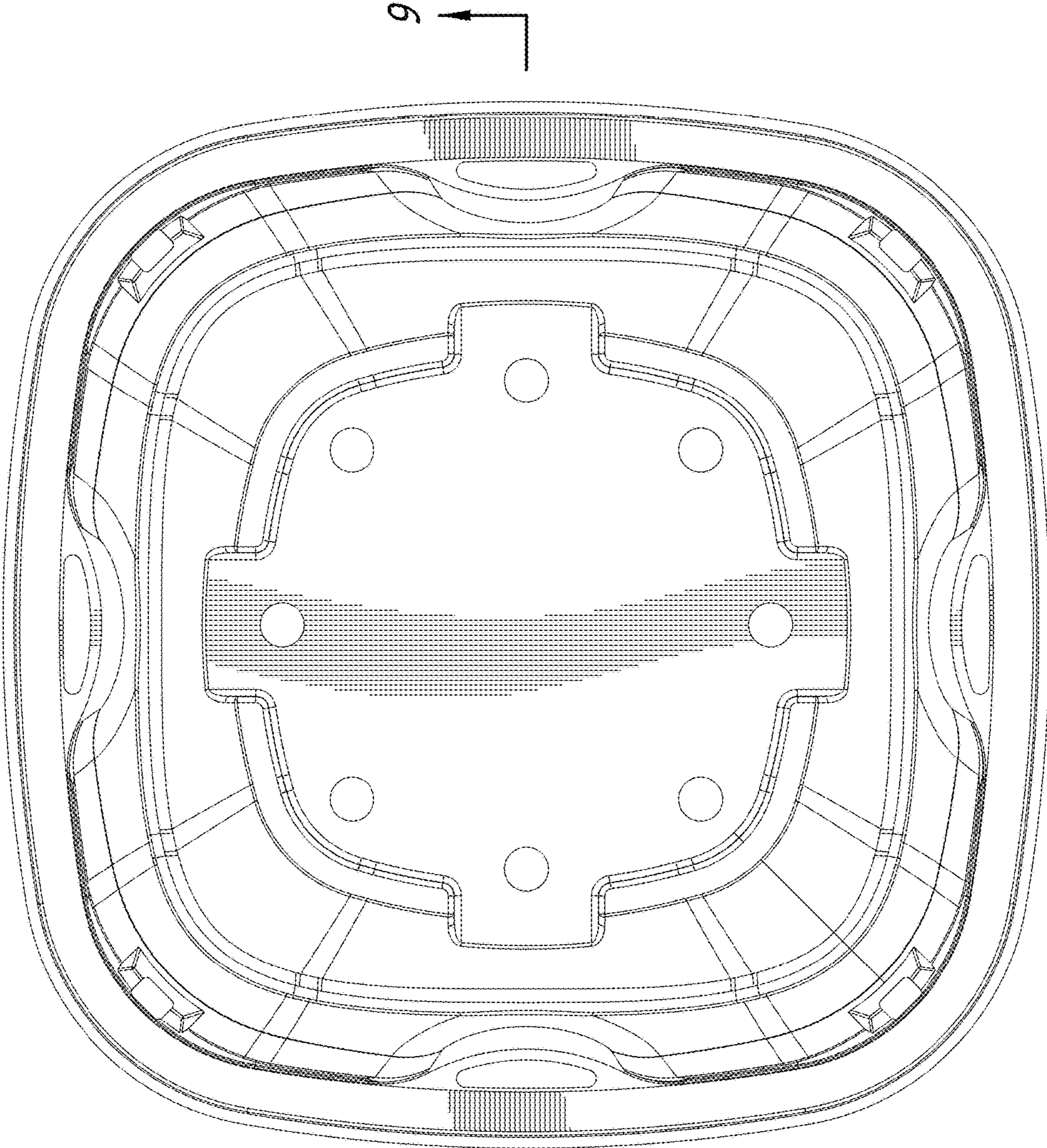


FIG. 7



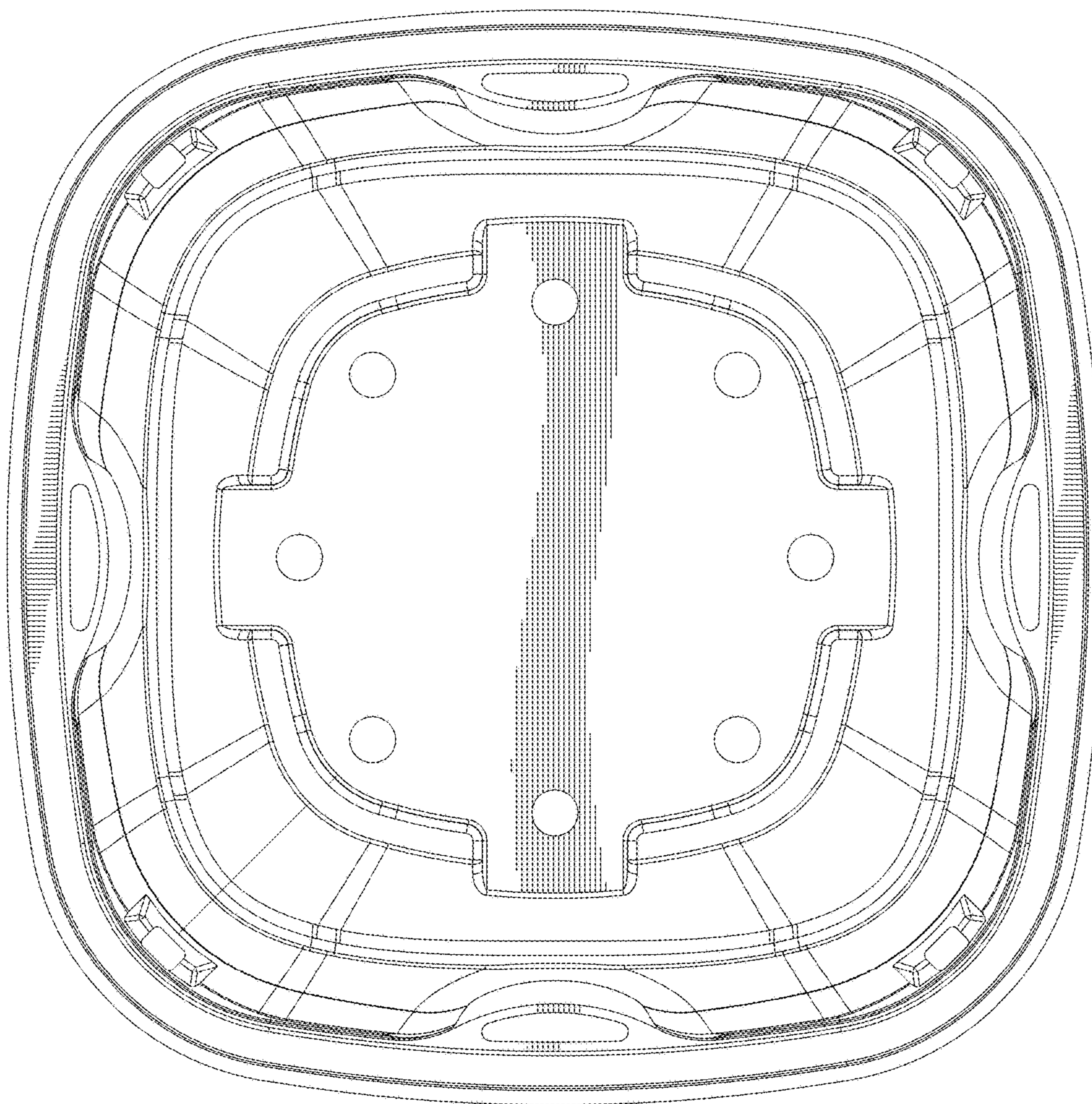


FIG. 8



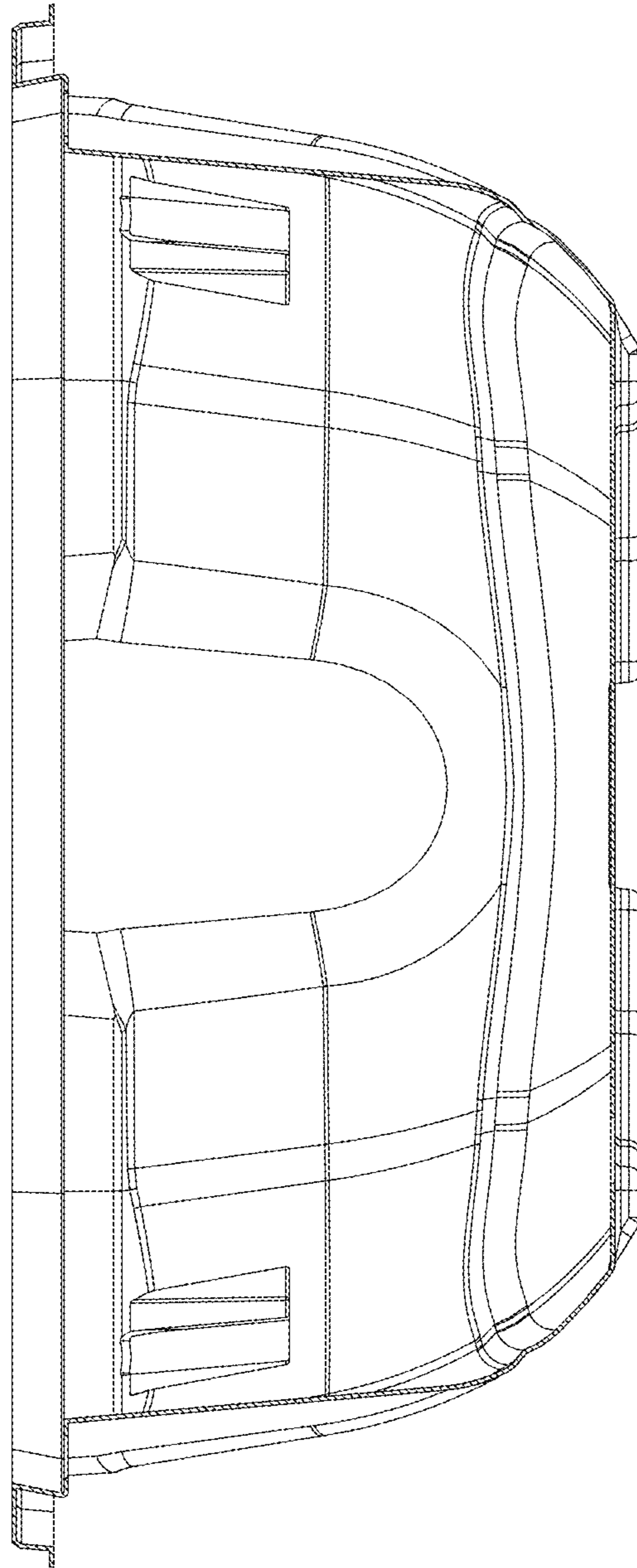


FIG. 9

FIG. 10

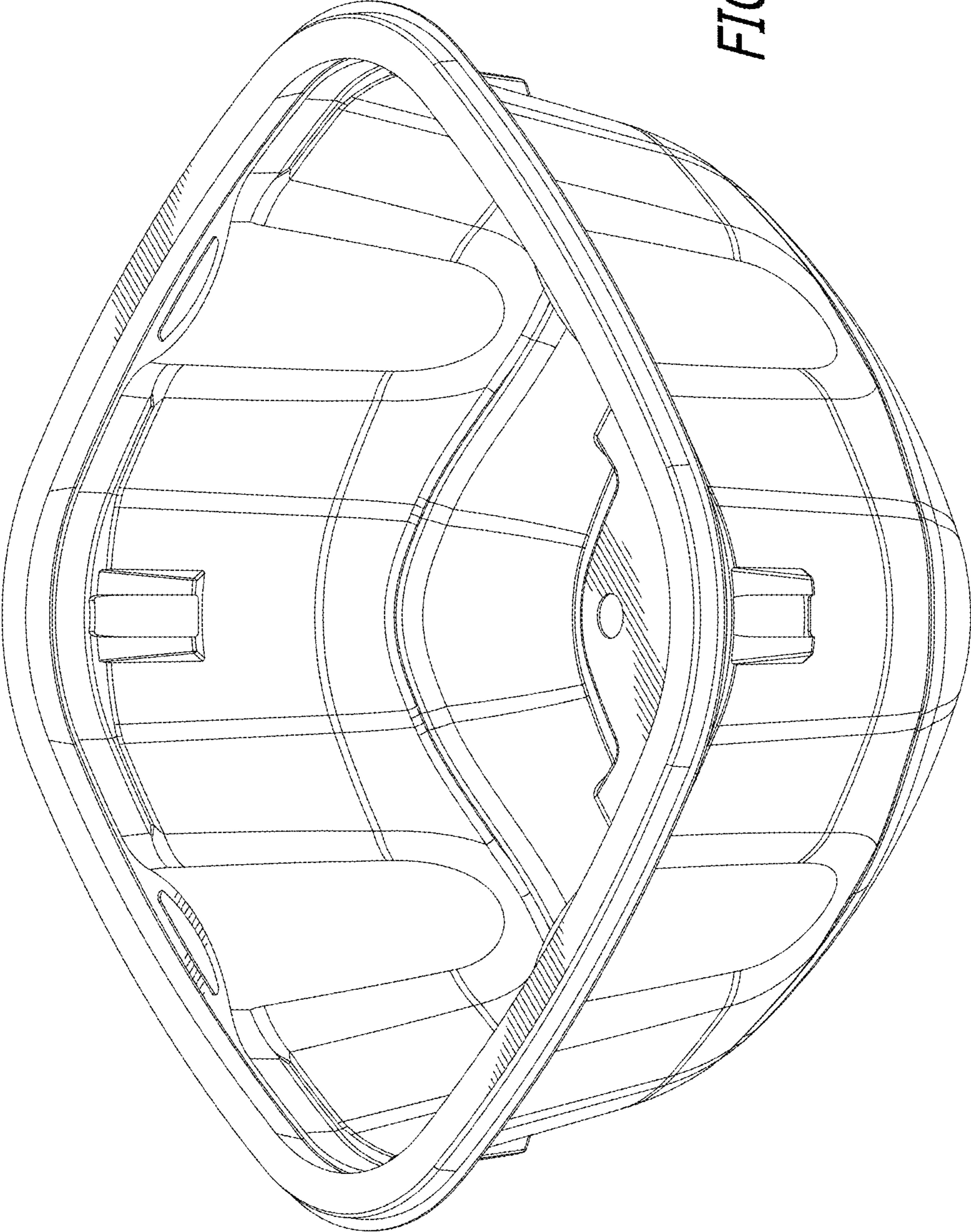
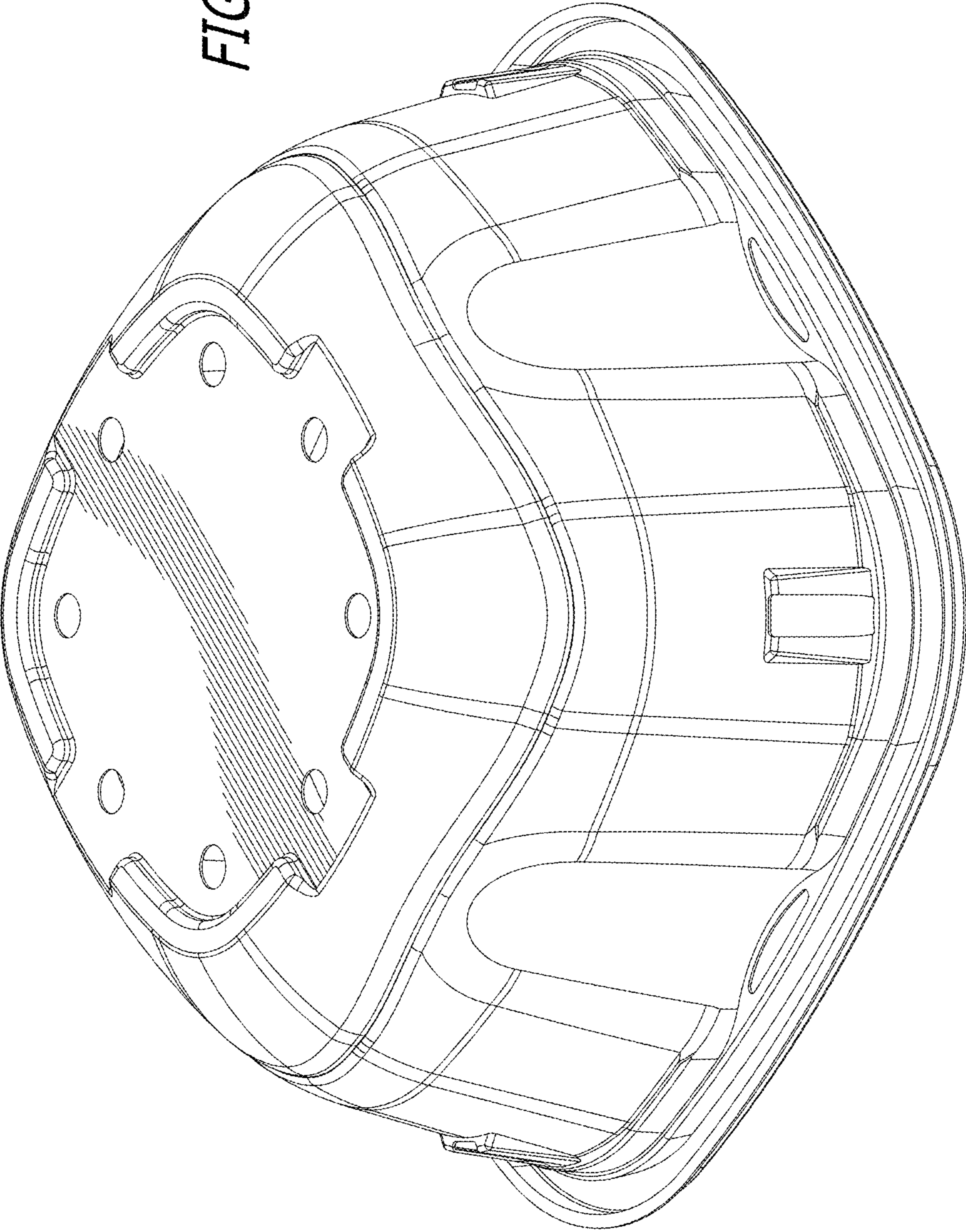




FIG. 11



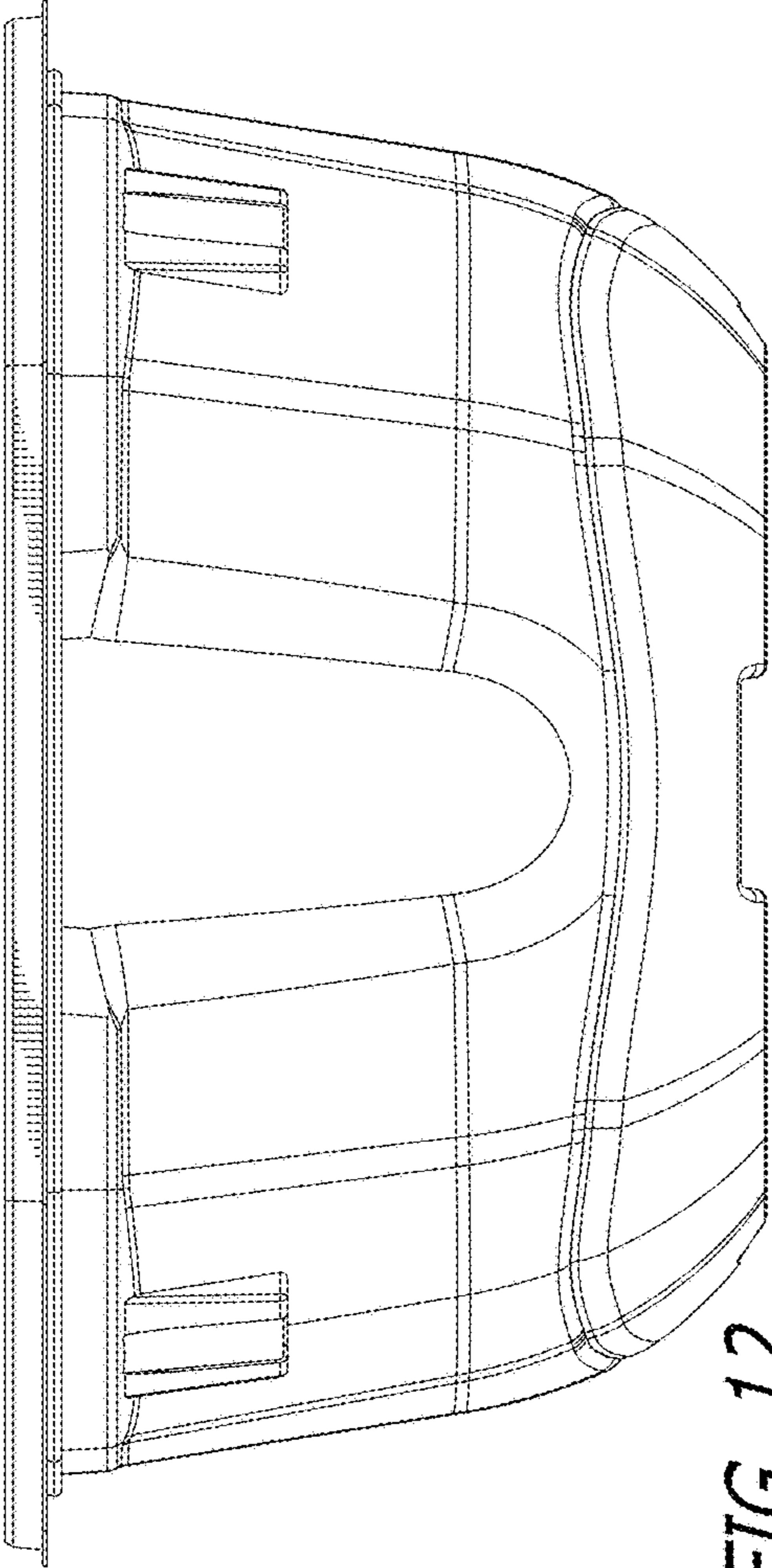


FIG. 12

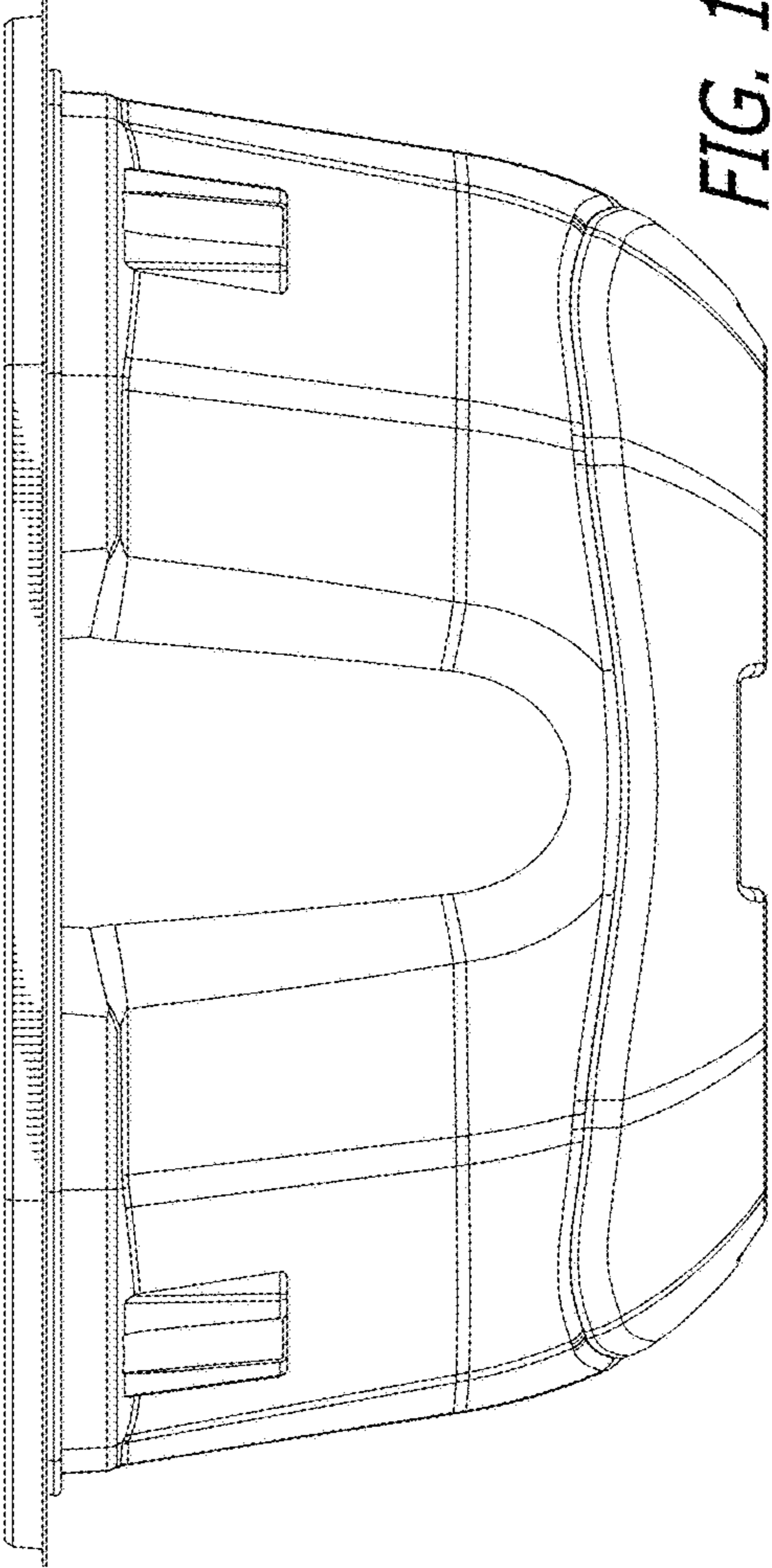


FIG. 13



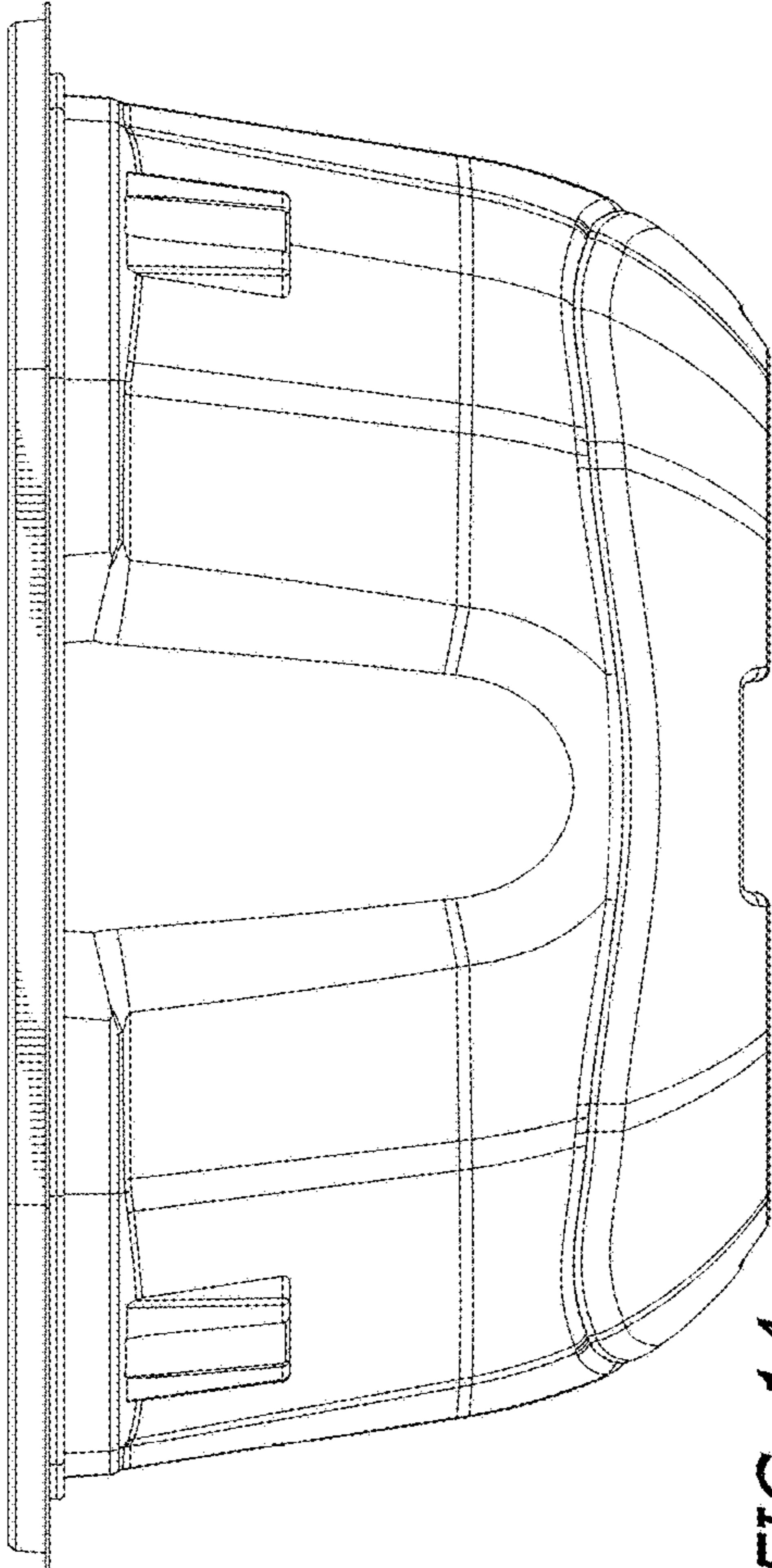


FIG. 14

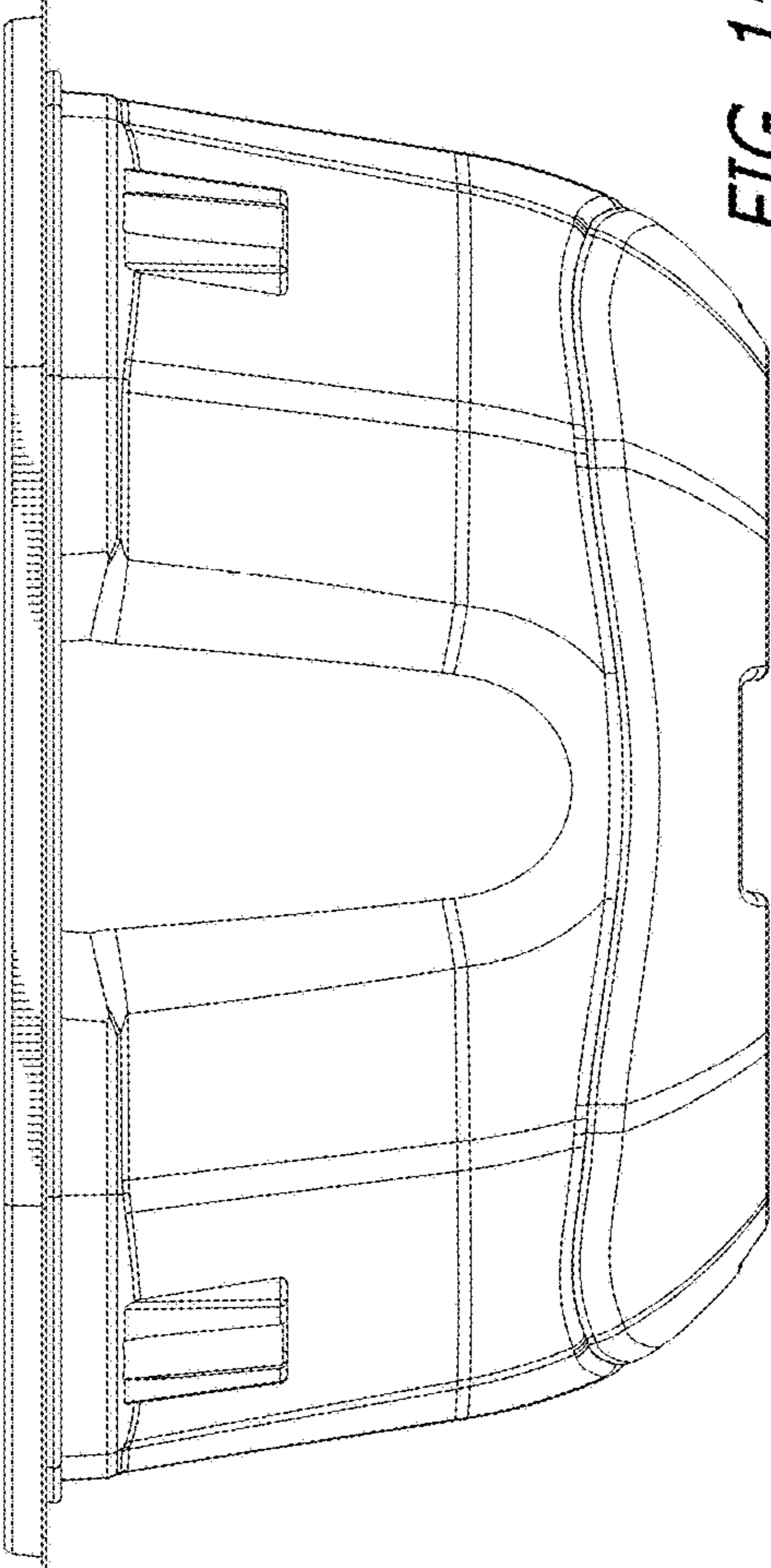


FIG. 15

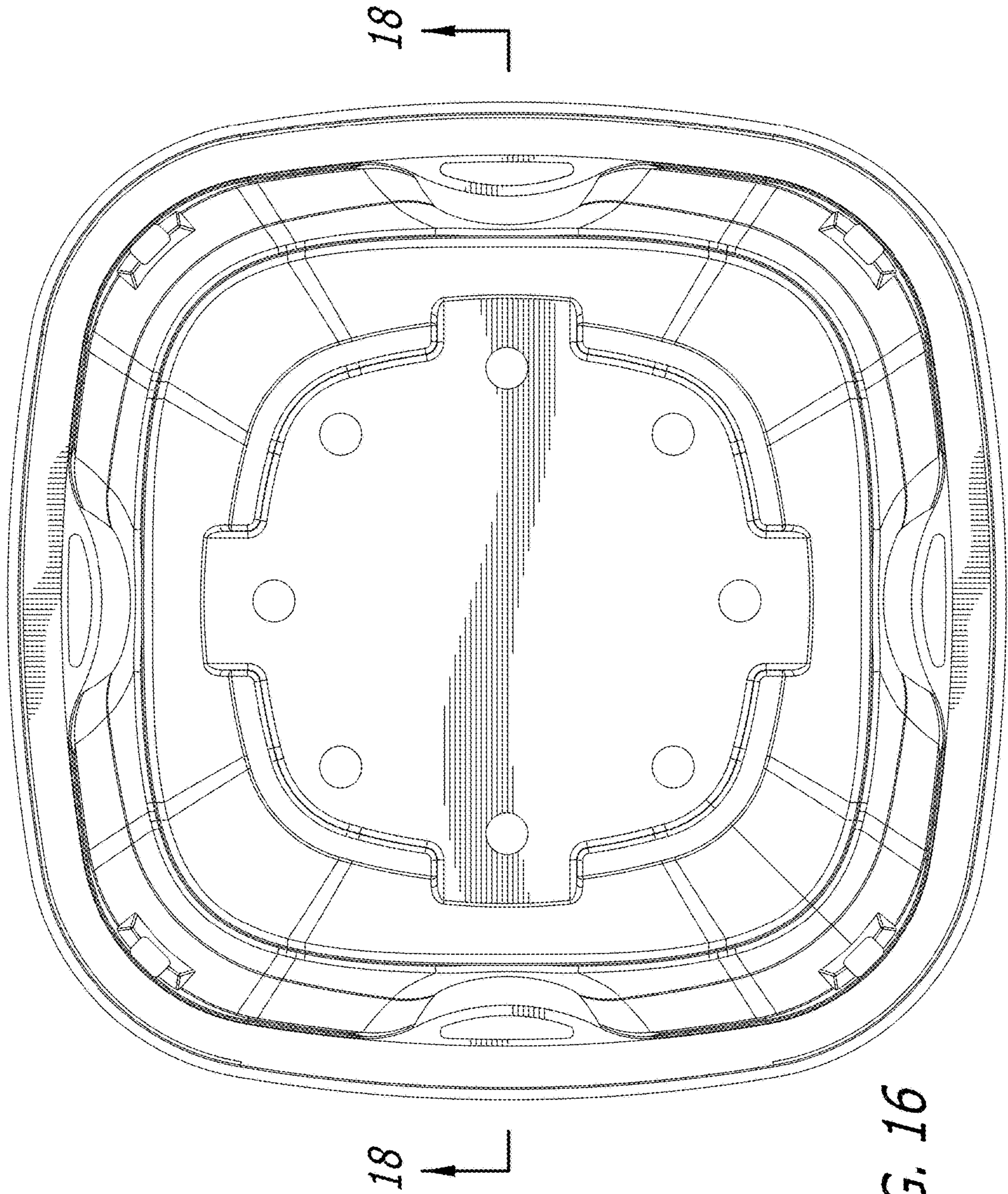


FIG. 16



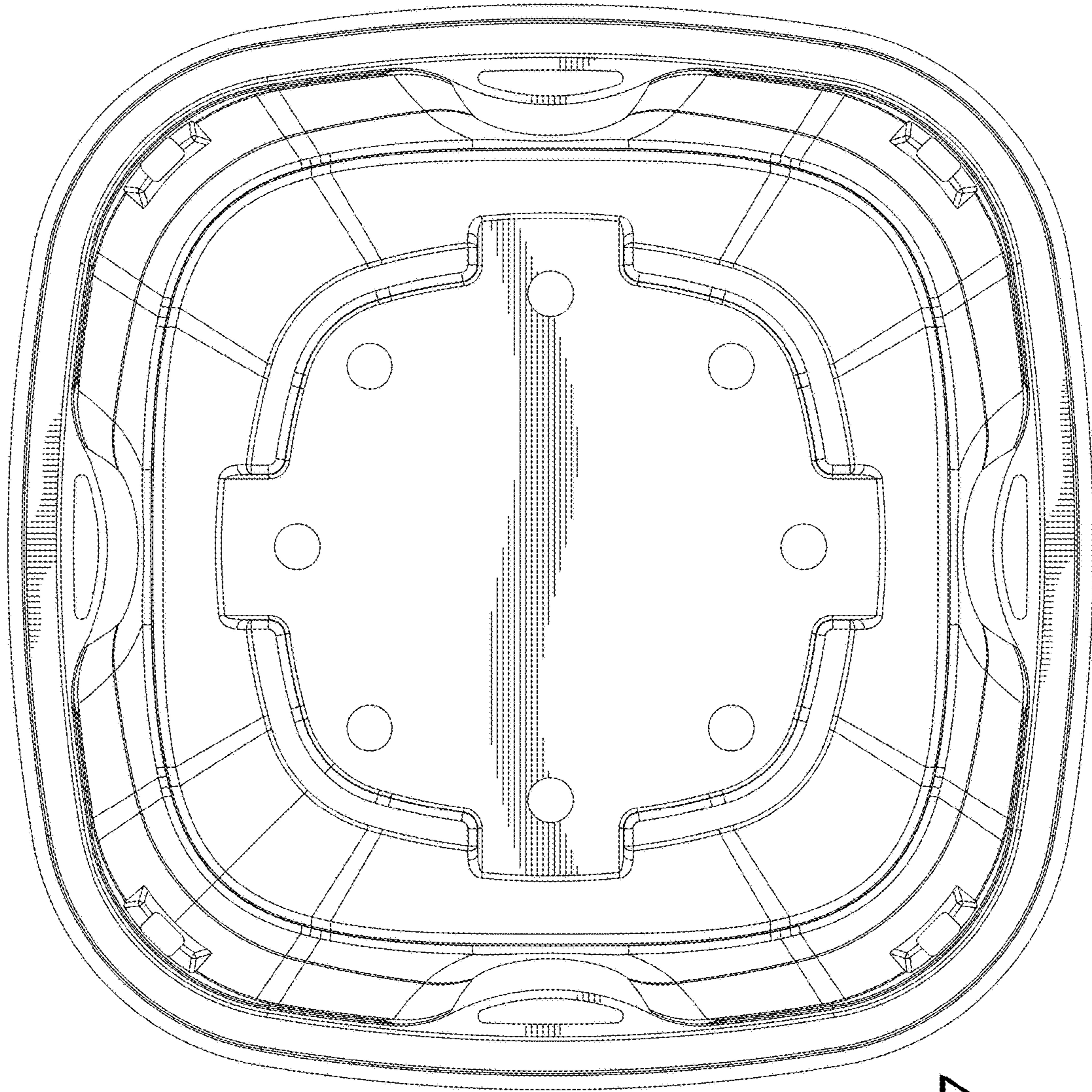


FIG. 17

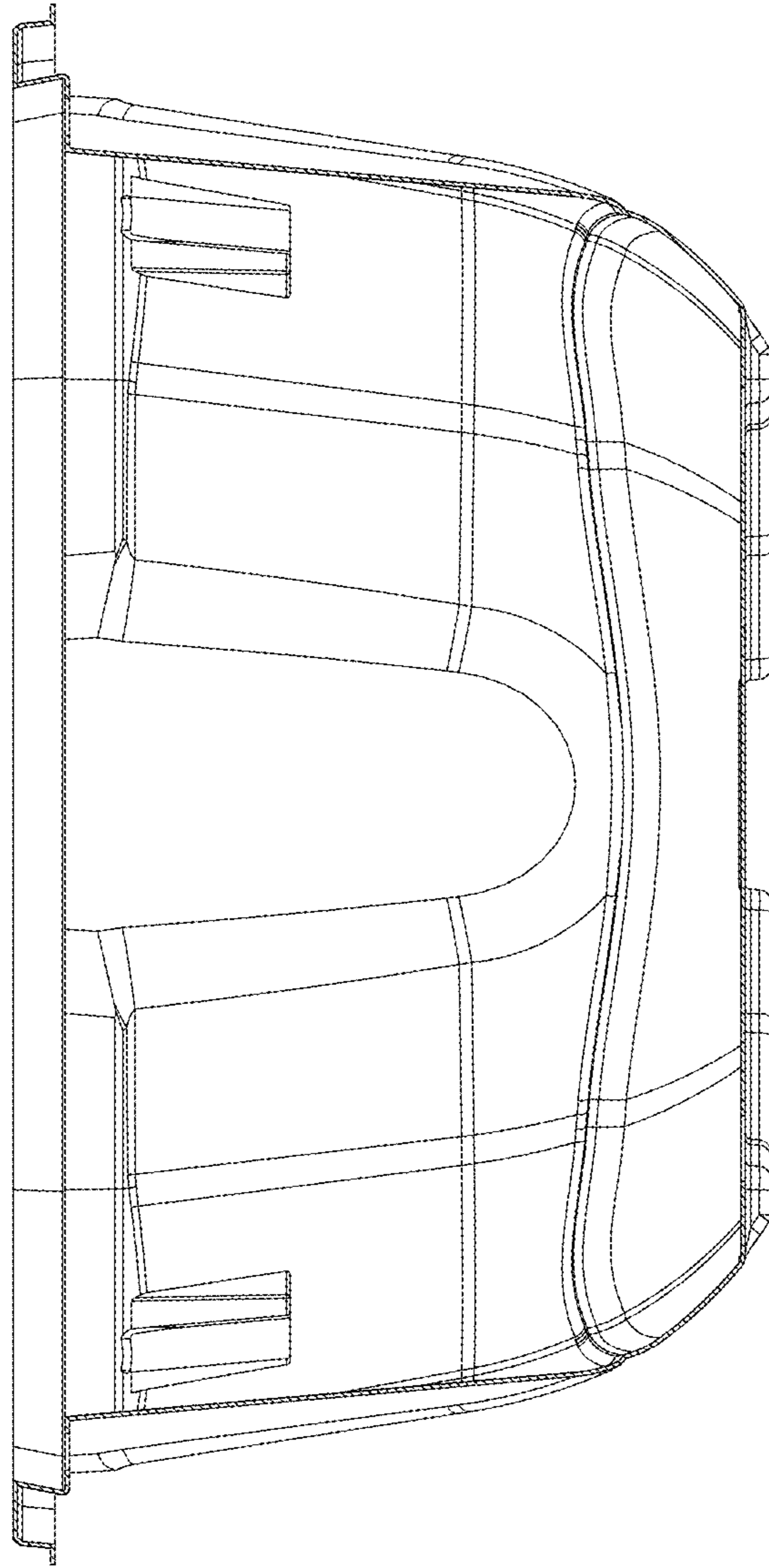
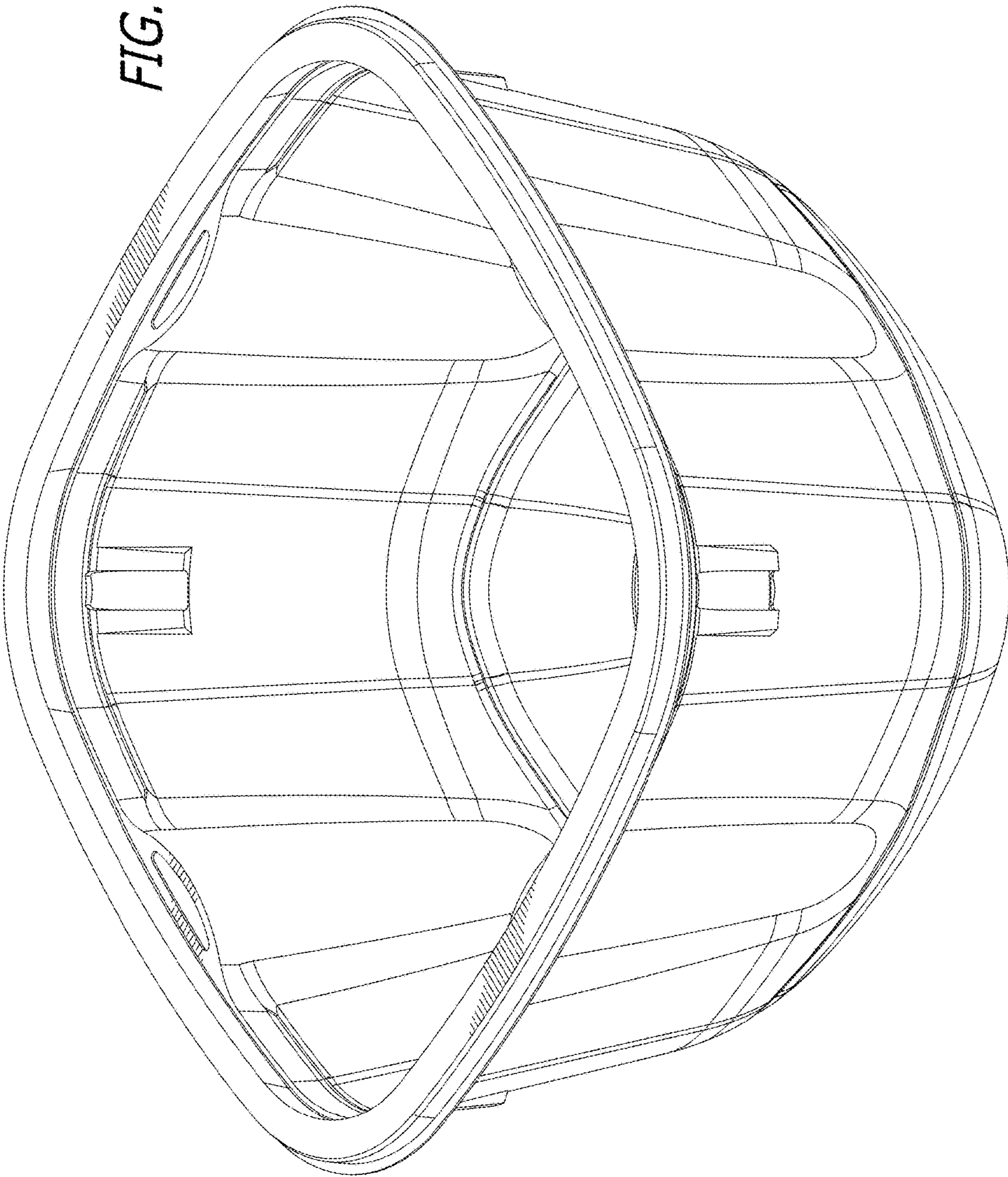


FIG. 18



FIG. 19



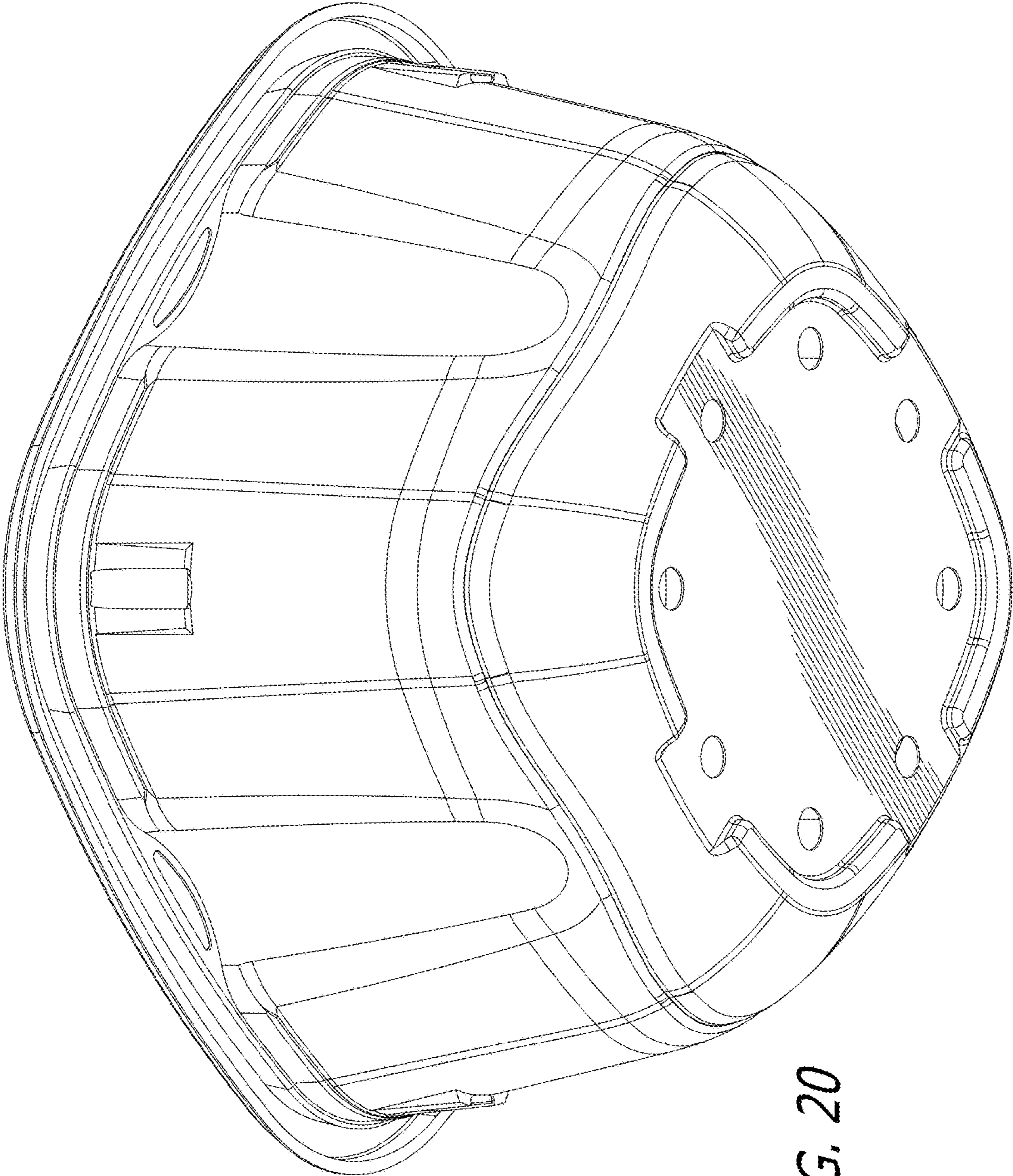
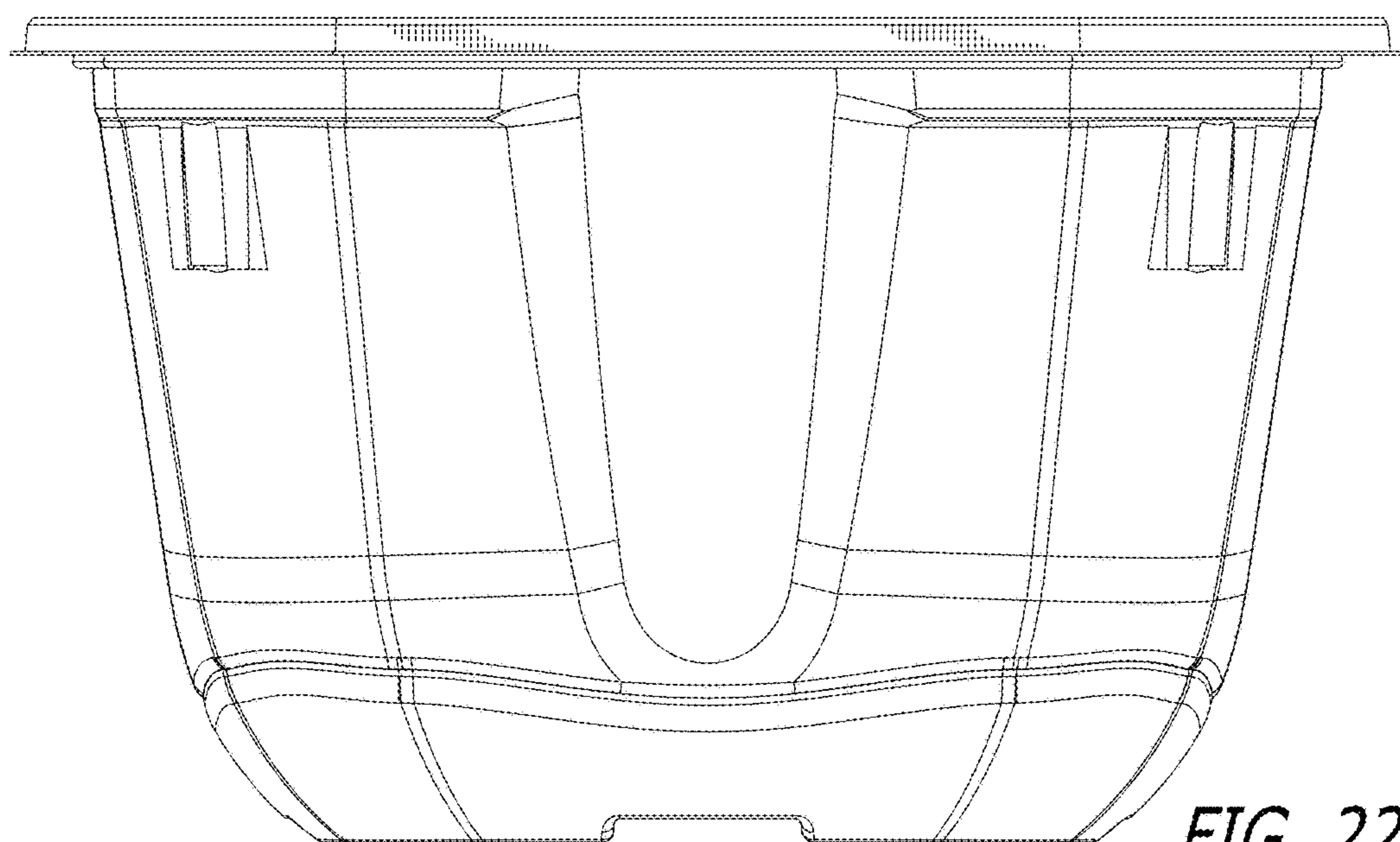
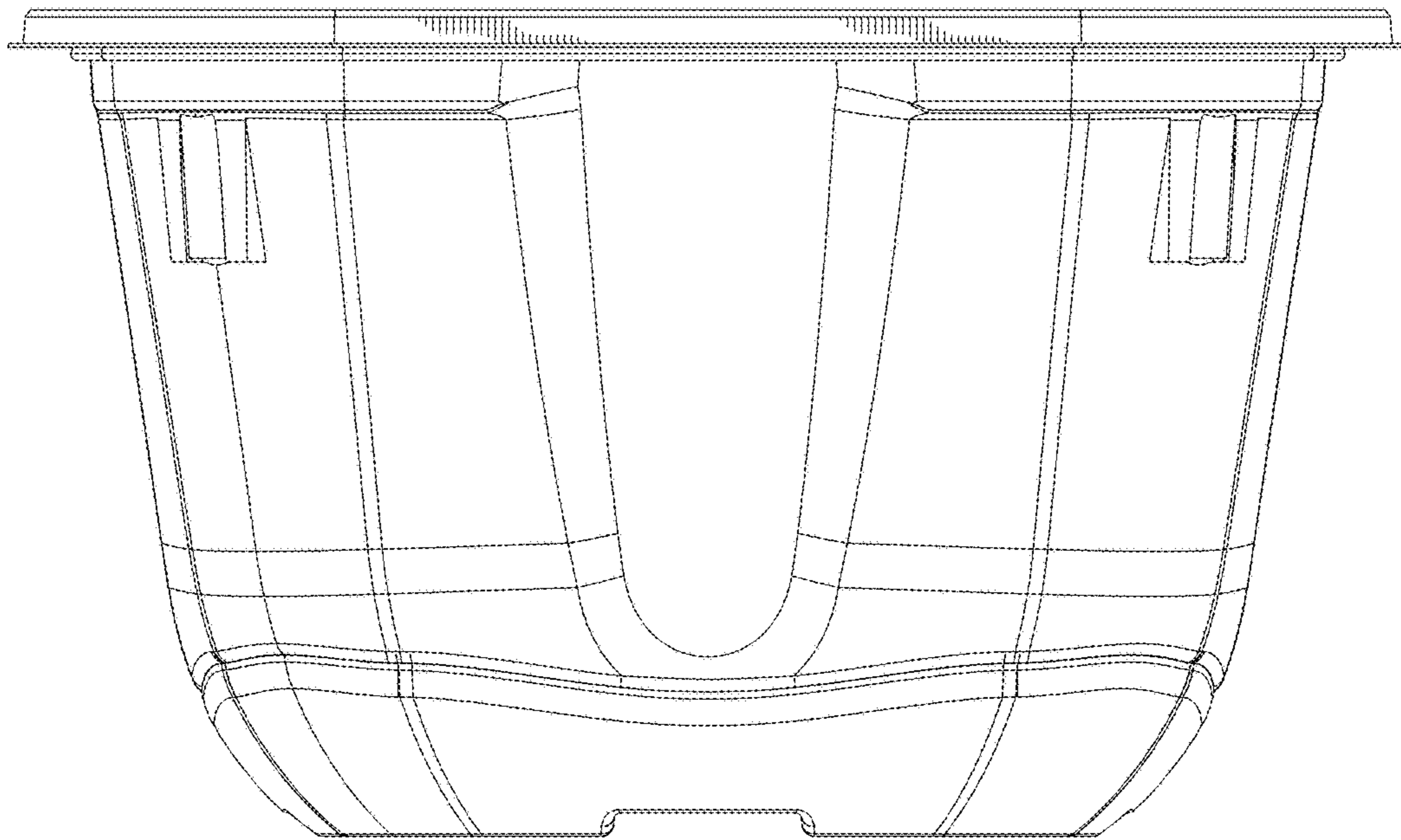


FIG. 20

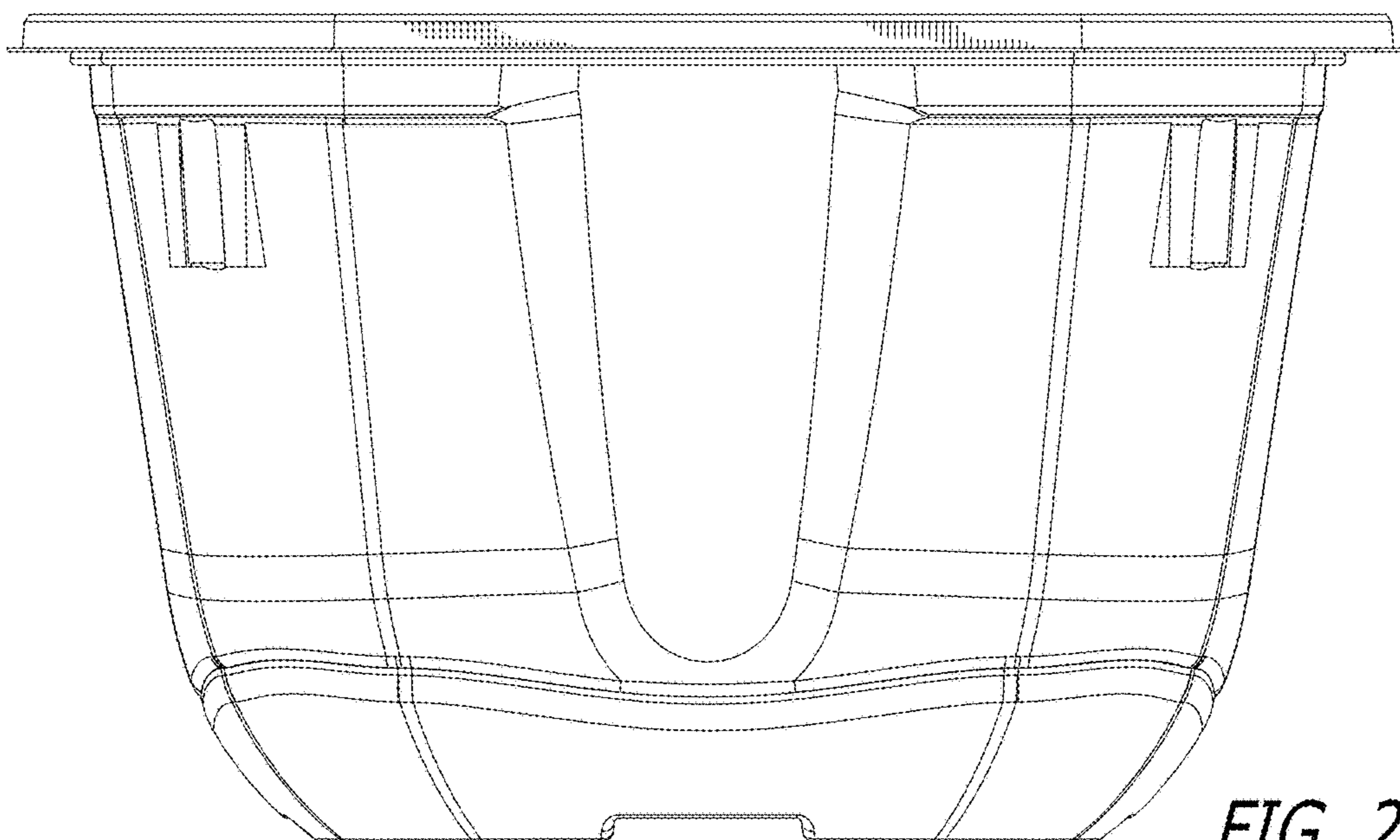
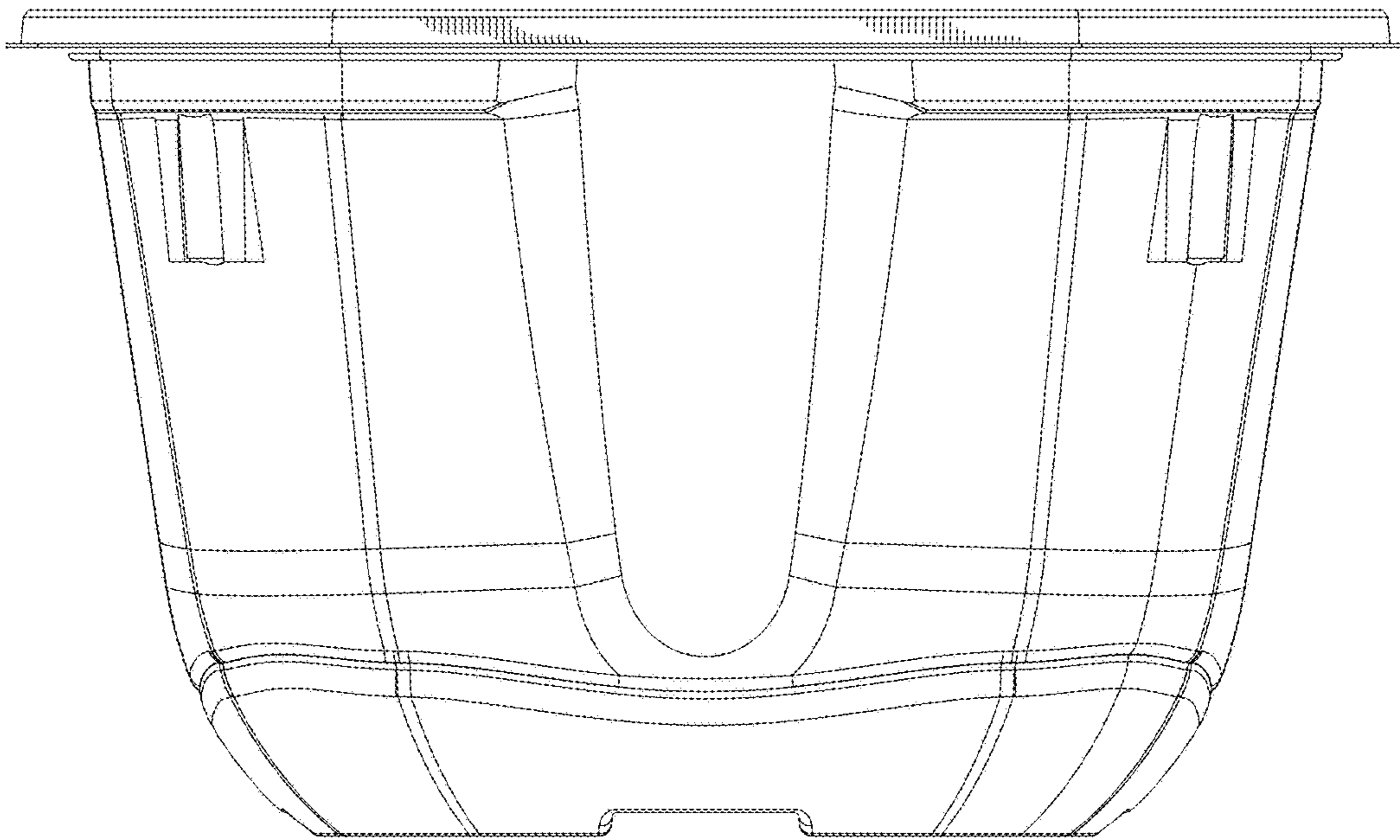


*FIG. 21*



*FIG. 22*

*FIG. 23*



*FIG. 24*



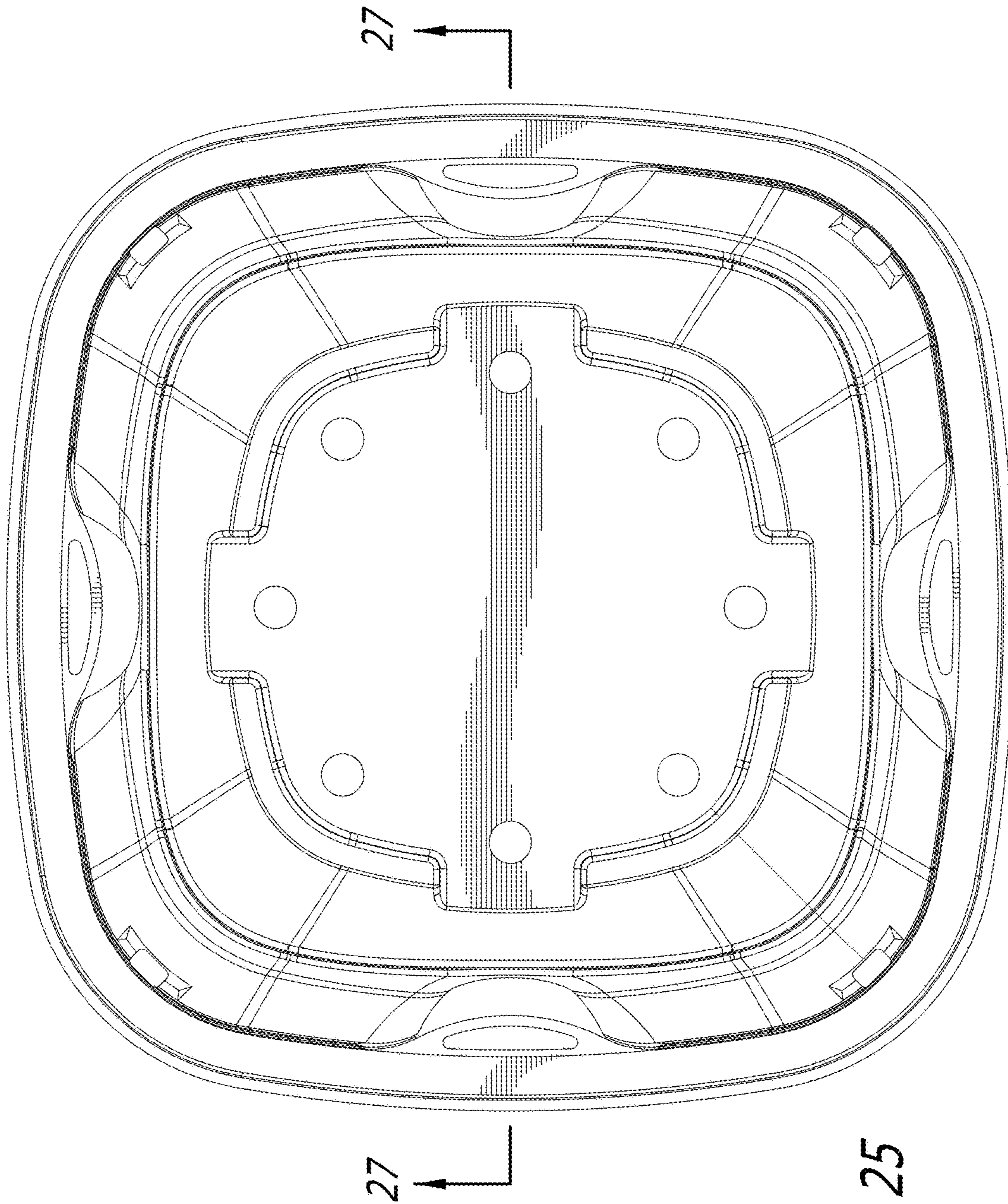
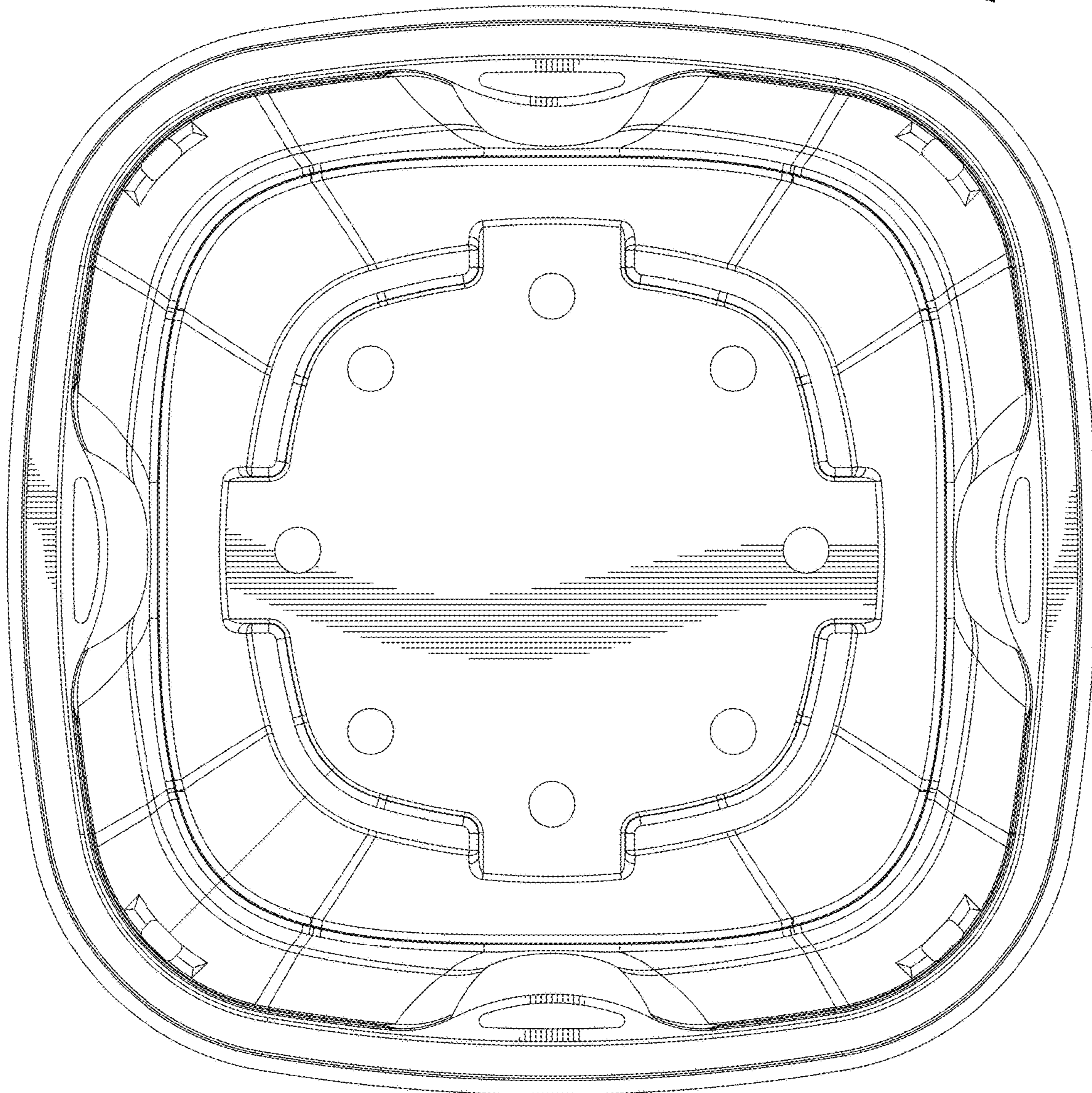


FIG. 25

FIG. 26





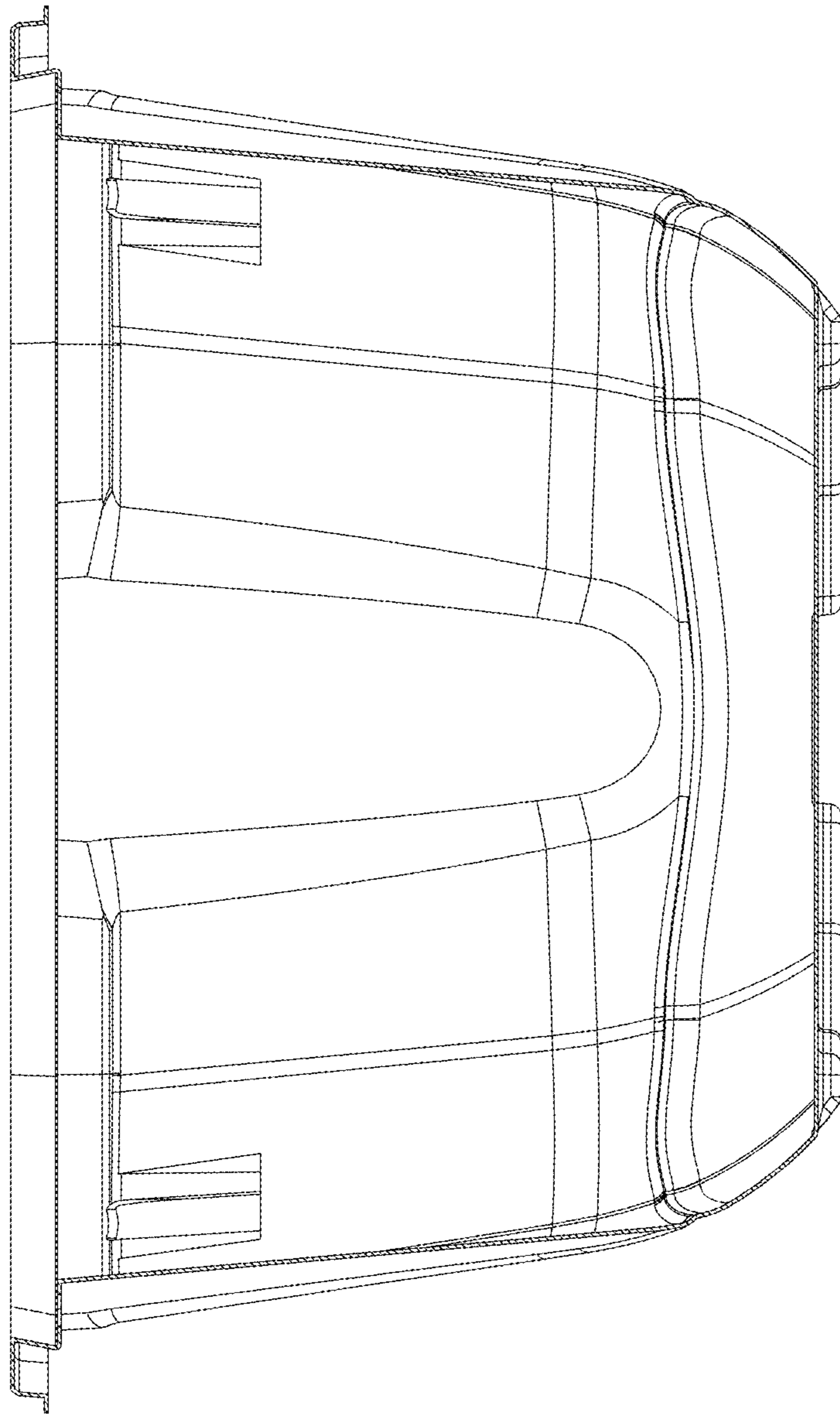


FIG. 27