



US00D789193S

(12) **United States Design Patent**
Bouveret

(10) **Patent No.:** **US D789,193 S**
(45) **Date of Patent:** **** Jun. 13, 2017**

- (54) **CONTAINER WITH LID**
- (71) Applicant: **NORTH AMERICA I.M.L.**
CONTAINERS, St-Placide (CA)
- (72) Inventor: **Nicolas Bouveret, St-Placide (CA)**
- (73) Assignee: **NORTH AMERICA I.M.L.**
CONTAINERS, St-Placide (CA)
- (**) Term: **15 Years**
- (21) Appl. No.: **29/539,941**
- (22) Filed: **Sep. 18, 2015**
- (51) **LOC (10) Cl.** **09-03**
- (52) **U.S. Cl.**
USPC **D9/416**
- (58) **Field of Classification Search**
USPC D9/414, 429, 425, 416, 428, 625, 740,
D9/759, 737, 756; D7/400, 531;
D99/34; 220/669, 23.2; 426/130;
206/541
CPC B65D 1/30; B65D 1/26; A47F 5/112
See application file for complete search history.

D698,239 S *	1/2014	De Pra	D9/425
D739,227 S *	9/2015	Mitchell	D9/416
D739,724 S *	9/2015	Kervazo	D9/425
D740,611 S *	10/2015	Crosby	D7/531
D740,612 S *	10/2015	Crosby	D7/531
D742,217 S *	11/2015	Bouveret	D9/425
D744,827 S *	12/2015	Markoulis	D9/428
D749,430 S *	2/2016	Abel	D9/740
D756,771 S *	5/2016	Covey	D7/400
D757,536 S *	5/2016	Norton	D9/429
D763,105 S *	8/2016	Forowycz	D9/759

(Continued)

Primary Examiner — Rhea Shields

(74) *Attorney, Agent, or Firm* — Norton Rose Fulbright
Canada LLP

(57) **CLAIM**

The ornamental design for a container with lid, as shown and described.

DESCRIPTION

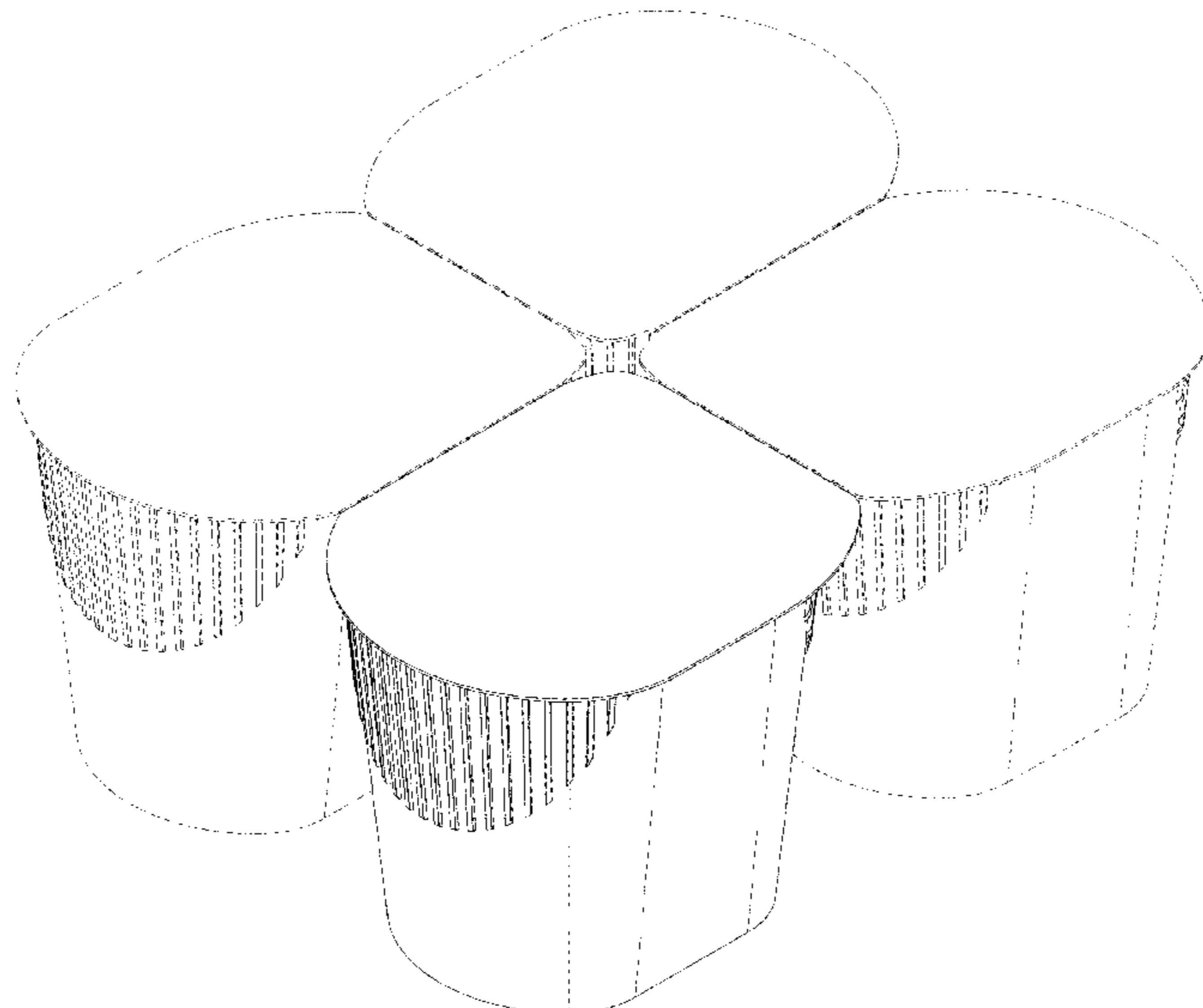
FIG. 1 is a perspective view of a container with lid, in accordance with my new design and shown in an environment;
 FIG. 2 is a perspective view of a container with lid in accordance with the present design;
 FIG. 3 is a top plan view of the container with lid of FIG. 2;
 FIG. 4 is a front view of the container with lid of FIG. 2;
 FIG. 5 is a rear view of the container with lid of FIG. 2;
 FIG. 6 is a left-side view of the container with lid of FIG. 2;
 FIG. 7 is a right-side view of the container with lid of FIG. 2; and,
 FIG. 8 is a bottom plan view of the container with lid of FIG. 2.
 The broken lines showing three additional containers with lids in FIG. 1 depict environmental subject matter. The broken lines in FIGS. 4-8 depict features of the container with lid that are not included in the claimed design.

1 Claim, 5 Drawing Sheets

(56) **References Cited**

U.S. PATENT DOCUMENTS

5,782,376 A *	7/1998	Brauner	B65D 1/30 220/669
D451,017 S *	11/2001	Lancman	D9/423
6,523,686 B1 *	2/2003	Bae	B65D 1/30 206/315.9
D575,148 S *	8/2008	Sagel	D9/761
7,549,551 B2 *	6/2009	Tyberghein	B65D 1/30 220/23.2
D596,954 S *	7/2009	Jimenez	D9/423
D649,054 S *	11/2011	Sharma	D7/630
D697,794 S *	1/2014	De Pra	D9/425
D698,237 S *	1/2014	De Pra	D9/425
D698,238 S *	1/2014	De Pra	D9/425



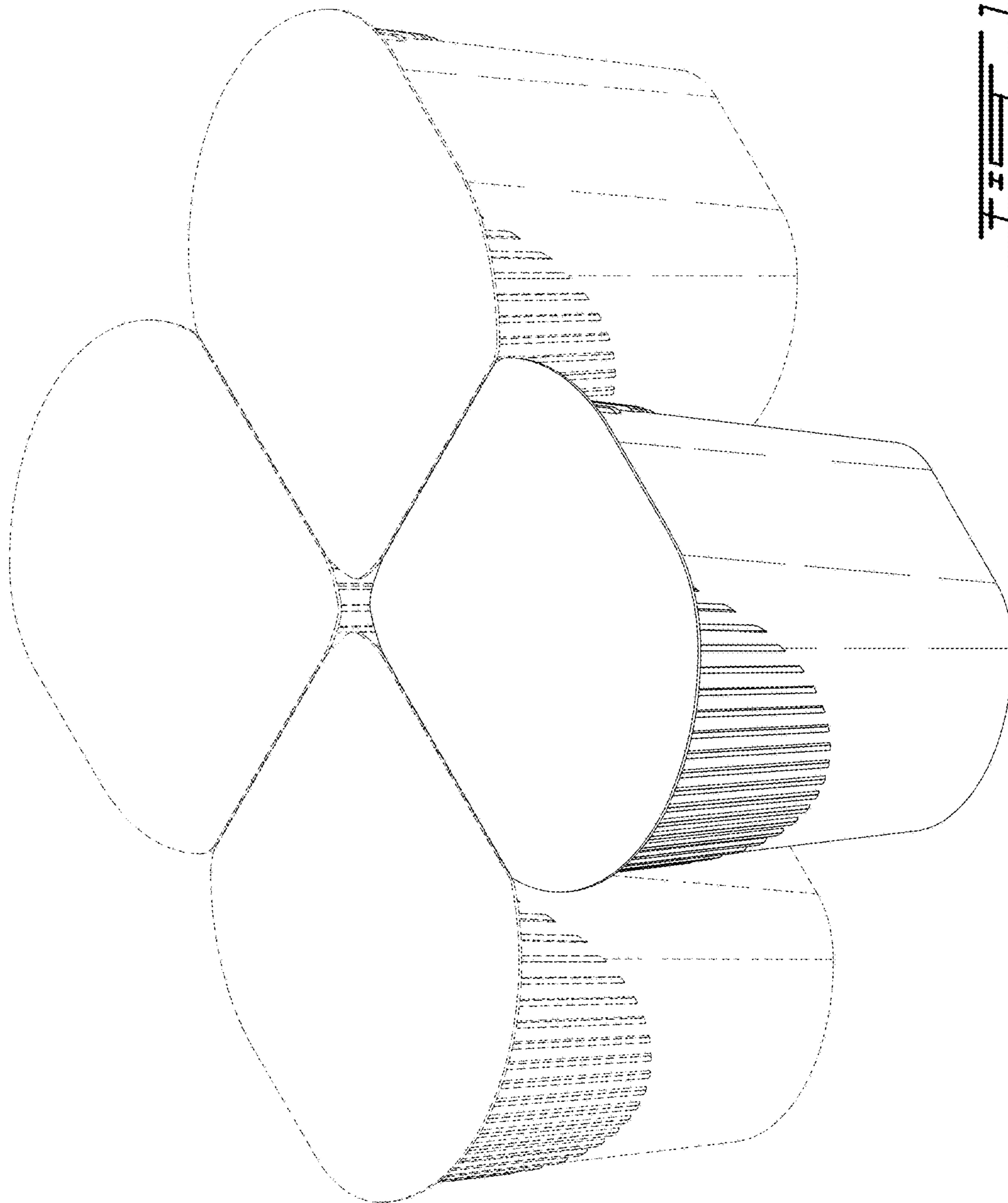
(56)

References Cited

U.S. PATENT DOCUMENTS

D766,078	S	*	9/2016	Hansen	D9/416
D769,132	S	*	10/2016	Tilahun	D9/737
D769,734	S	*	10/2016	Church	D9/756
D782,772	S	*	3/2017	Crane	D99/34
2002/0179483	A1	*	12/2002	Sears	A47F 5/112
						206/541
2012/0251679	A1	*	10/2012	Ferry	B65D 1/26
						426/130

* cited by examiner



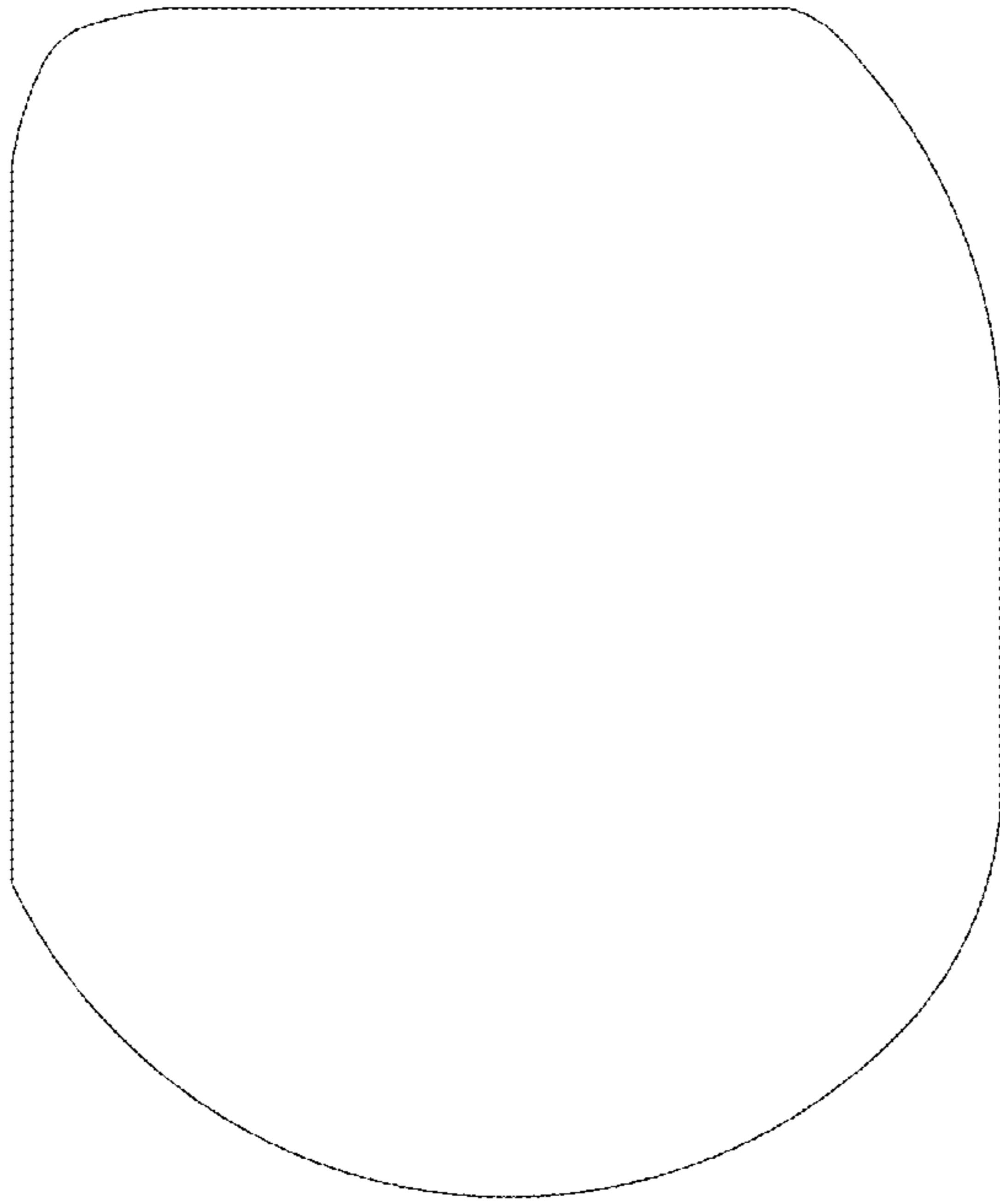


FIG. 2

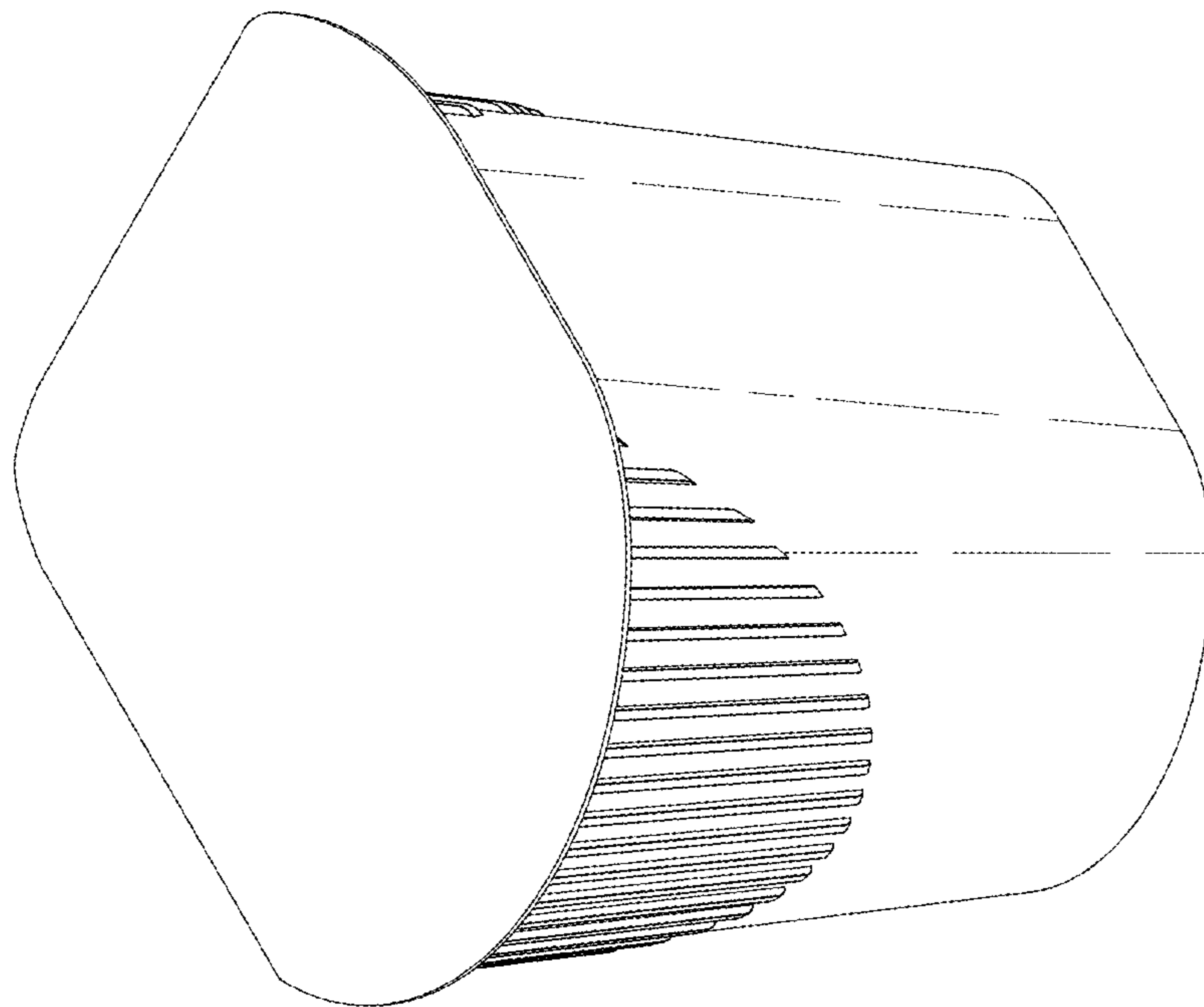


FIG. 3

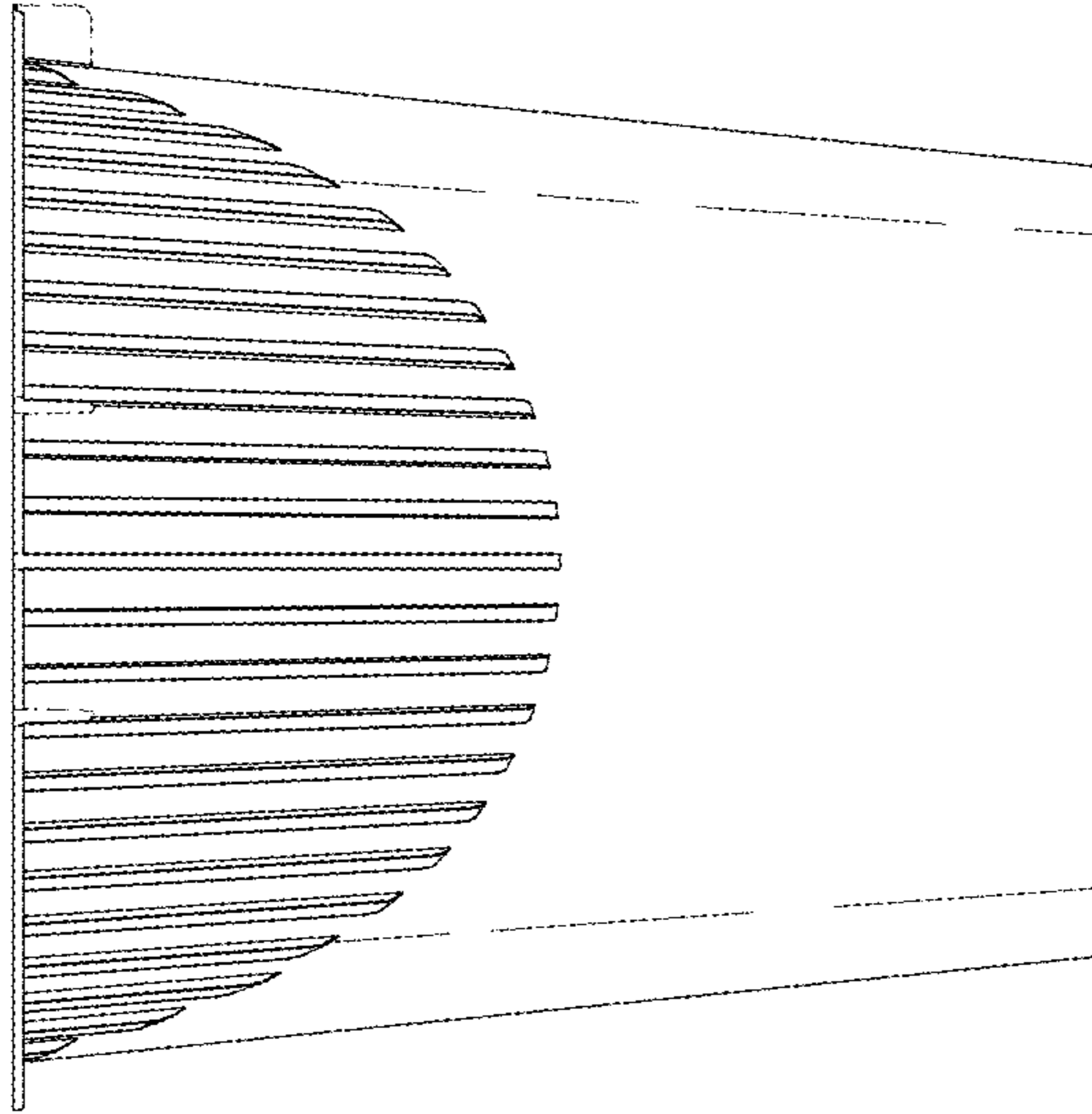


FIG. 5

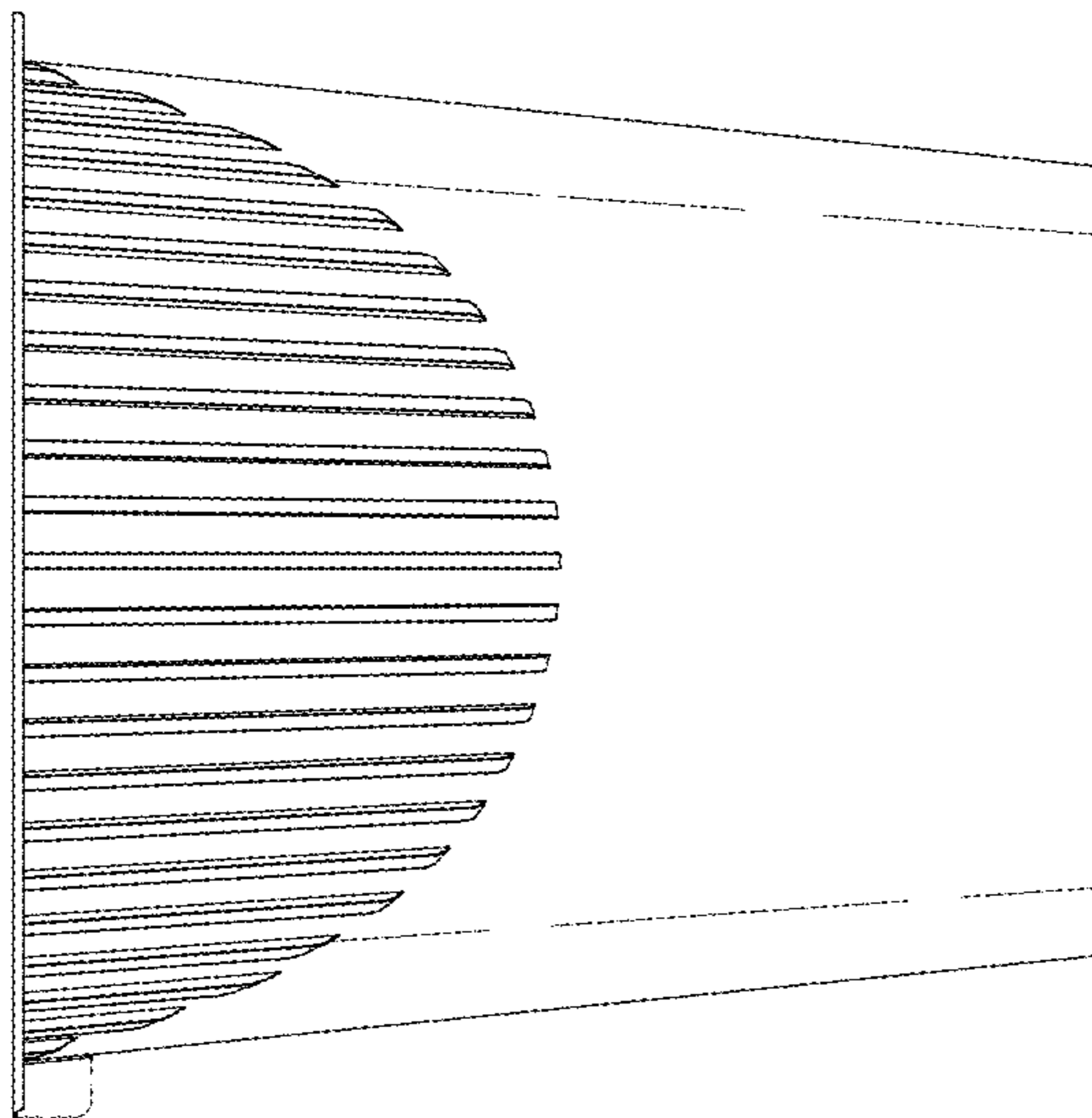


FIG. 4

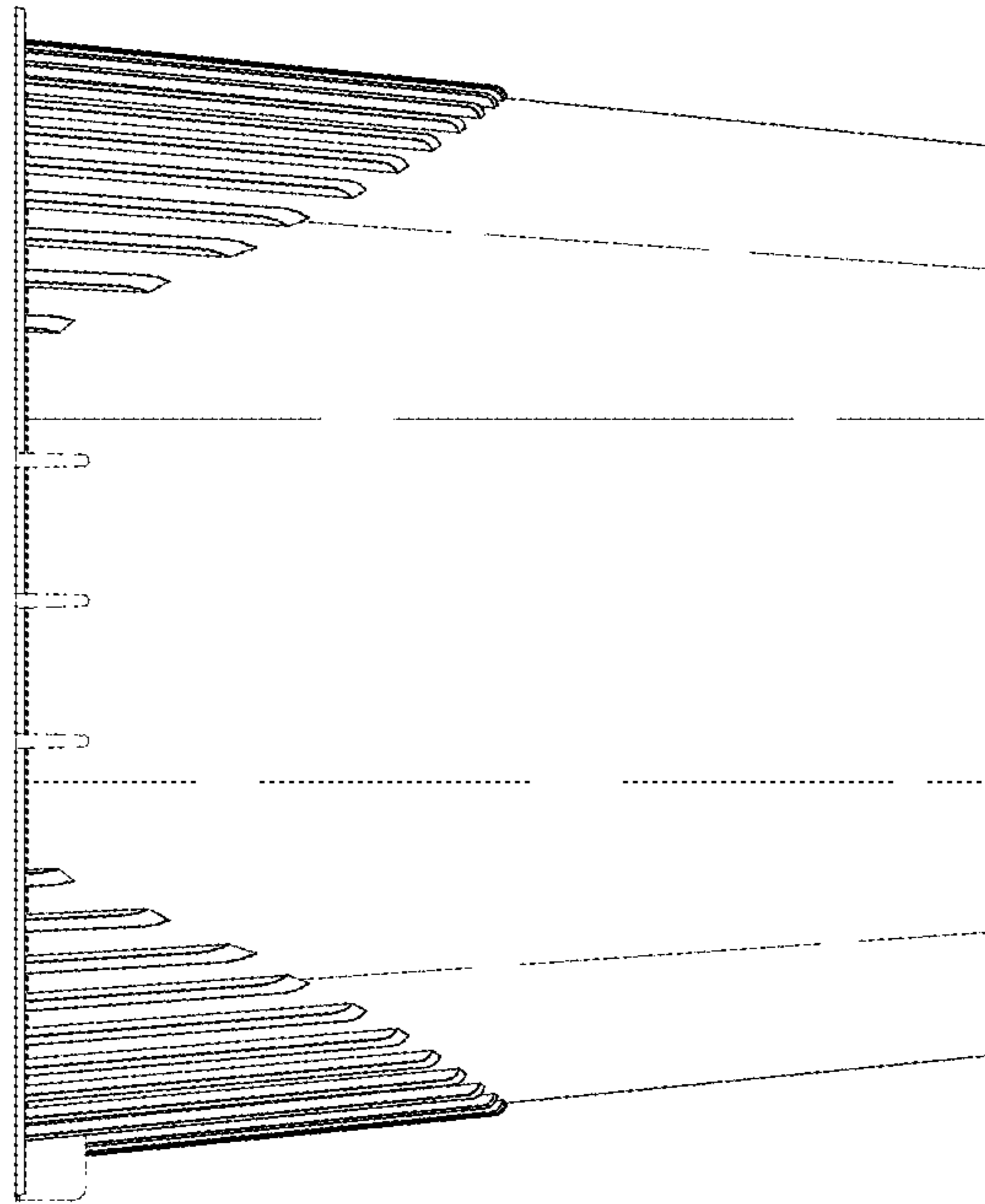


FIG. 7

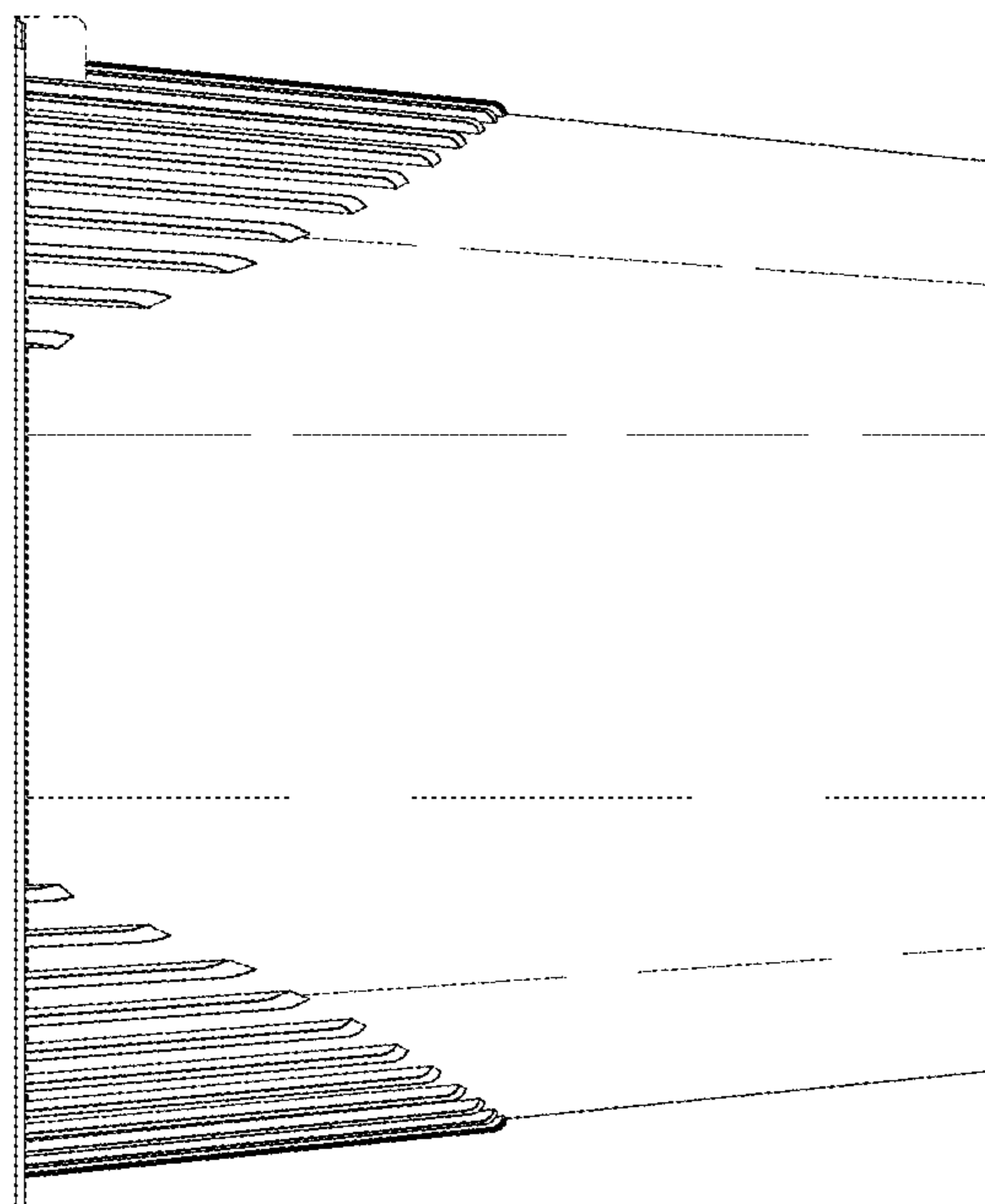


FIG. 8

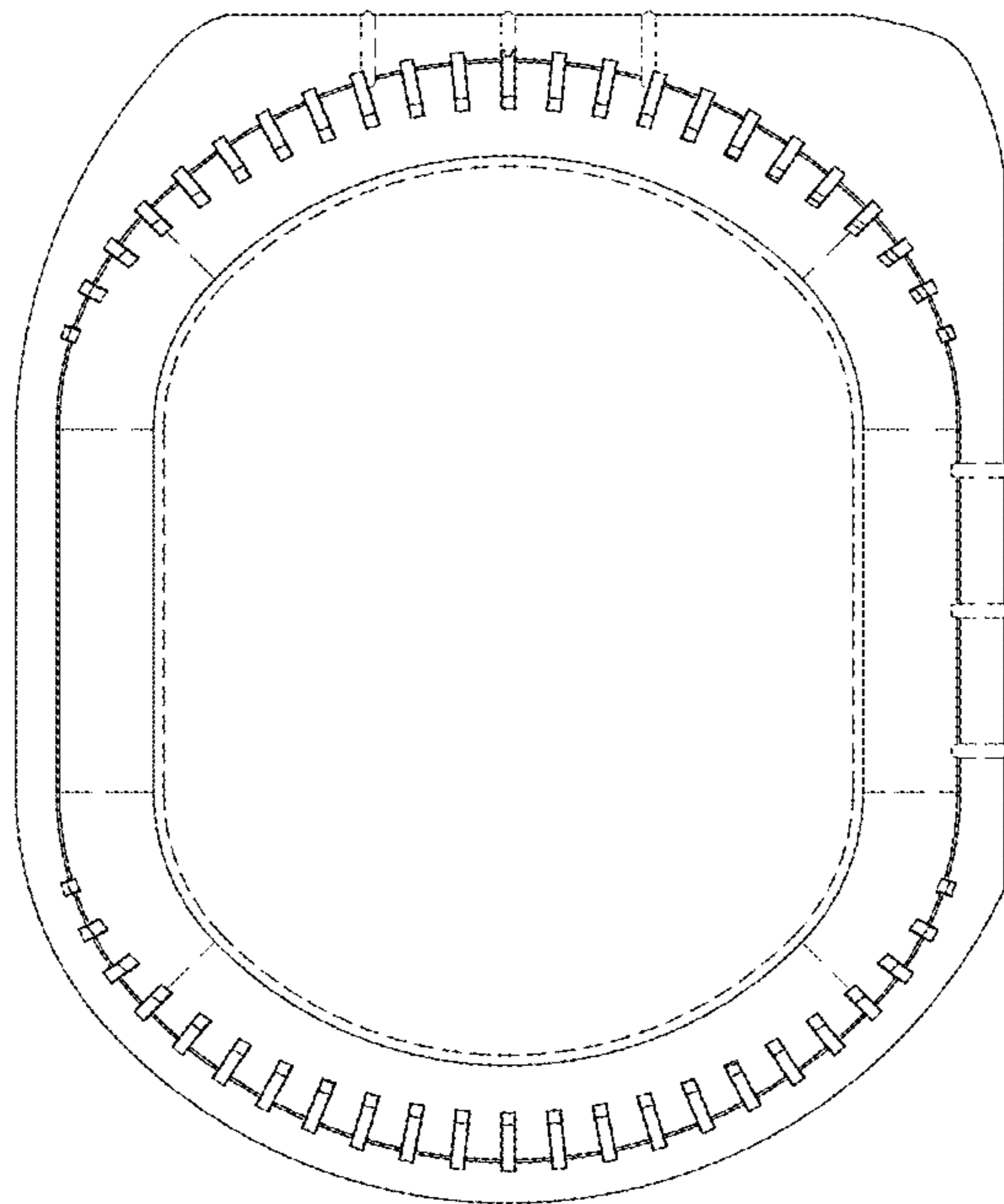


FIG. 5