



US00D789192S

(12) **United States Design Patent**
Webb

(10) **Patent No.:** **US D789,192 S**
(45) **Date of Patent:** **** Jun. 13, 2017**

(54) **MODULAR FURNITURE PART**

(71) Applicant: **Roger Webb**, London (GB)

(72) Inventor: **Roger Webb**, London (GB)

(**) Term: **15 Years**

(21) Appl. No.: **29/568,852**

(22) Filed: **Jun. 22, 2016**

(30) **Foreign Application Priority Data**

Dec. 23, 2015 (EM) 002921254-0005

(51) **LOC (10) Cl.** **08-09**

(52) **U.S. Cl.**
USPC **D8/400**

(58) **Field of Classification Search**
USPC D8/48, 71, 315-322, 354-355, 378-381,
D8/400-499; D12/420, 223
CPC F16L 1/00; F16L 9/00; F16L 13/00; B25H
3/04; A61B 1/00; A61B 17/00; A61B
2217/00; A61B 2218/00; H02G 1/00;
H02G 2200/00; A47F 1/00; H02J 1/00
See application file for complete search history.

(56) **References Cited**

U.S. PATENT DOCUMENTS

- 1,804,416 A * 5/1931 Hathaway F16L 3/221
248/68.1
- 1,835,473 A * 12/1931 Davidson E04G 7/16
403/53
- RE26,011 E * 5/1966 Girard F16L 3/222
248/68.1
- 3,381,924 A * 5/1968 Gagnier G02B 23/14
248/201
- 3,437,737 A * 4/1969 Milan H02G 3/18
174/55
- 3,531,071 A * 9/1970 Kubli F16L 3/2235
248/68.1
- 5,753,874 A * 5/1998 Kossakowski H01H 23/003
200/1 B

- D615,143 S * 5/2010 Fitzpatrick D22/108
 - 7,757,869 B2 * 7/2010 Lawson A47F 5/0846
211/59.1
 - 7,900,781 B2 * 3/2011 Baine A47F 5/0838
211/106.01
 - 8,516,701 B2 * 8/2013 Pautler B21D 7/022
29/890.04
 - 8,689,705 B2 * 4/2014 Martin A47B 3/06
108/50.02
 - D708,153 S * 7/2014 Todd D13/177
- (Continued)

OTHER PUBLICATIONS

Wholesale >> Home Appliances >> Other Home Appliances >> End Caps of Bottom Rail, posted May 2, 2005, [retrieved Feb. 13, 2017]. Retrieved from Internet, <URL: <http://www.okokchina.com/p/zz-Other-Home-Appliances/End-Caps-of-Bottom-Rail-140301.html> >.*

(Continued)

Primary Examiner — Barbara Fox
Assistant Examiner — Kristin E Reed
(74) *Attorney, Agent, or Firm* — The Belles Group, P.C.

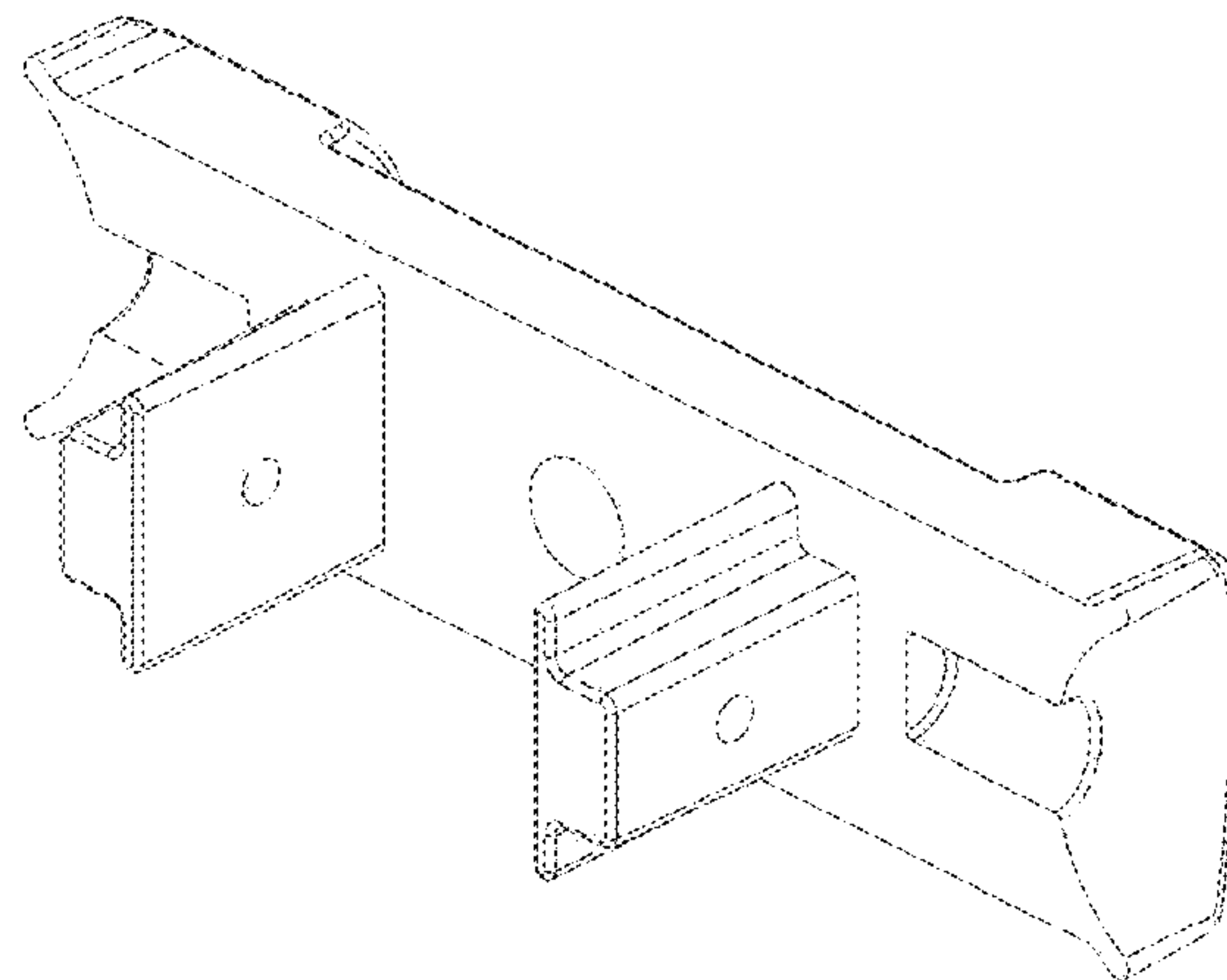
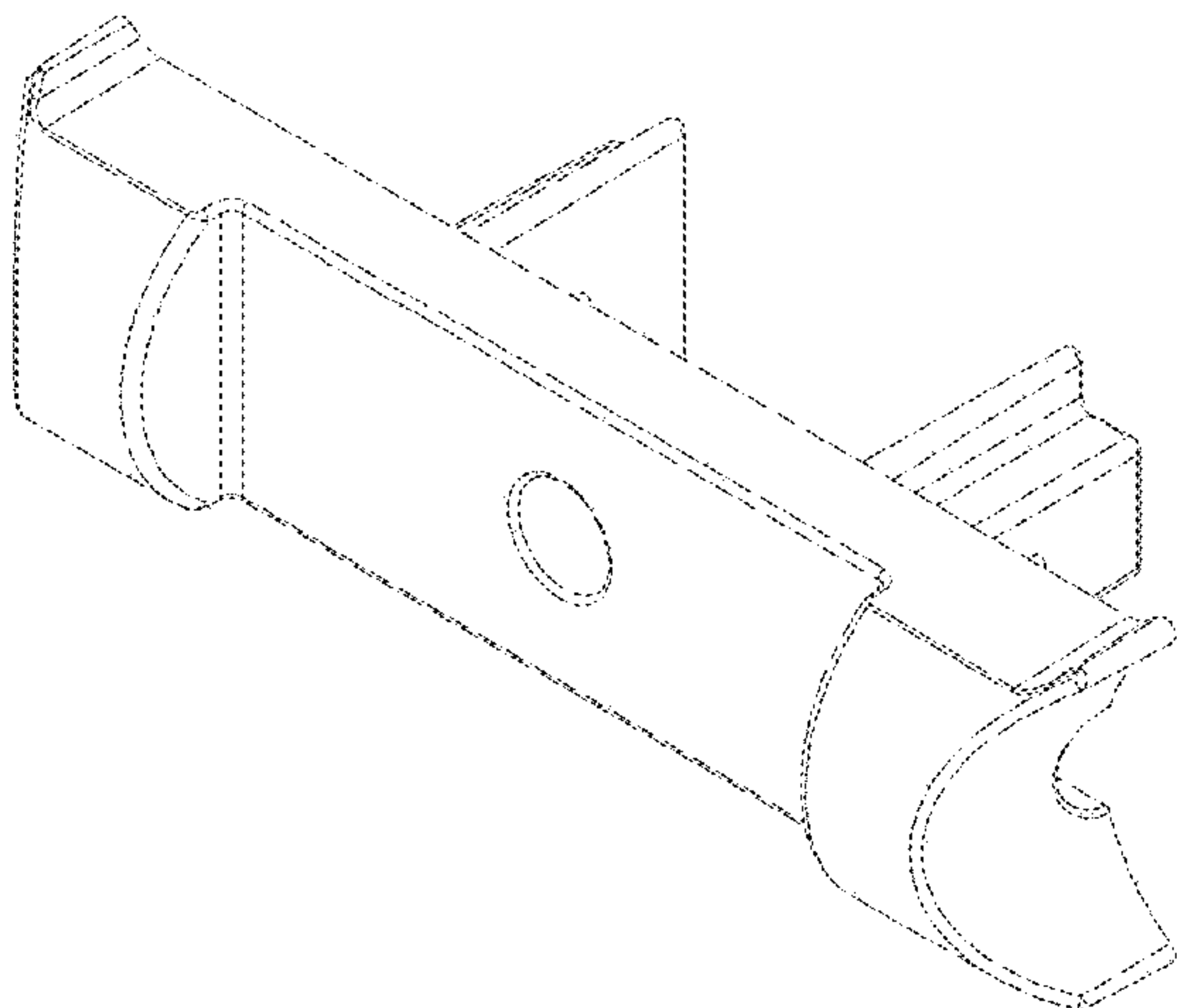
(57) **CLAIM**

I claim the ornamental design for a modular furniture part, as shown and described.

DESCRIPTION

FIG. 1 is a front perspective view of a modular furniture part showing my new design;
FIG. 2 is a rear perspective view thereof;
FIG. 3 is a front view thereof;
FIG. 4 is a rear view thereof;
FIG. 5 is a right-side view thereof
FIG. 6 is a left-side view thereof;
FIG. 7 is a top view thereof; and,
FIG. 8 is a bottom view thereof.

1 Claim, 8 Drawing Sheets



(56)

References Cited

U.S. PATENT DOCUMENTS

8,985,533 B2 * 3/2015 Edmond F16L 3/227
248/68.1
9,291,791 B2 * 3/2016 Sievers G02B 6/4471
D772,050 S * 11/2016 McCoy D8/354
2009/0307994 A1 * 12/2009 Cathcart E04B 1/3483
52/79.9
2011/0061337 A1 * 3/2011 O'Shea E04F 13/0808
52/747.12
2015/0129197 A1 * 5/2015 Andreychuk E21B 43/26
166/120

OTHER PUBLICATIONS

Replacement Horizontal Mini Blind & Shade Bottom Rail End Caps
& Plugs (Plastic end cap for bottom rail of window covering.),
posted unknown, [retrieved Feb. 13, 2017]. Retrieved from Internet,
<URL: http://venetianblindparts.com/end_%20parts.htm >.*

* cited by examiner

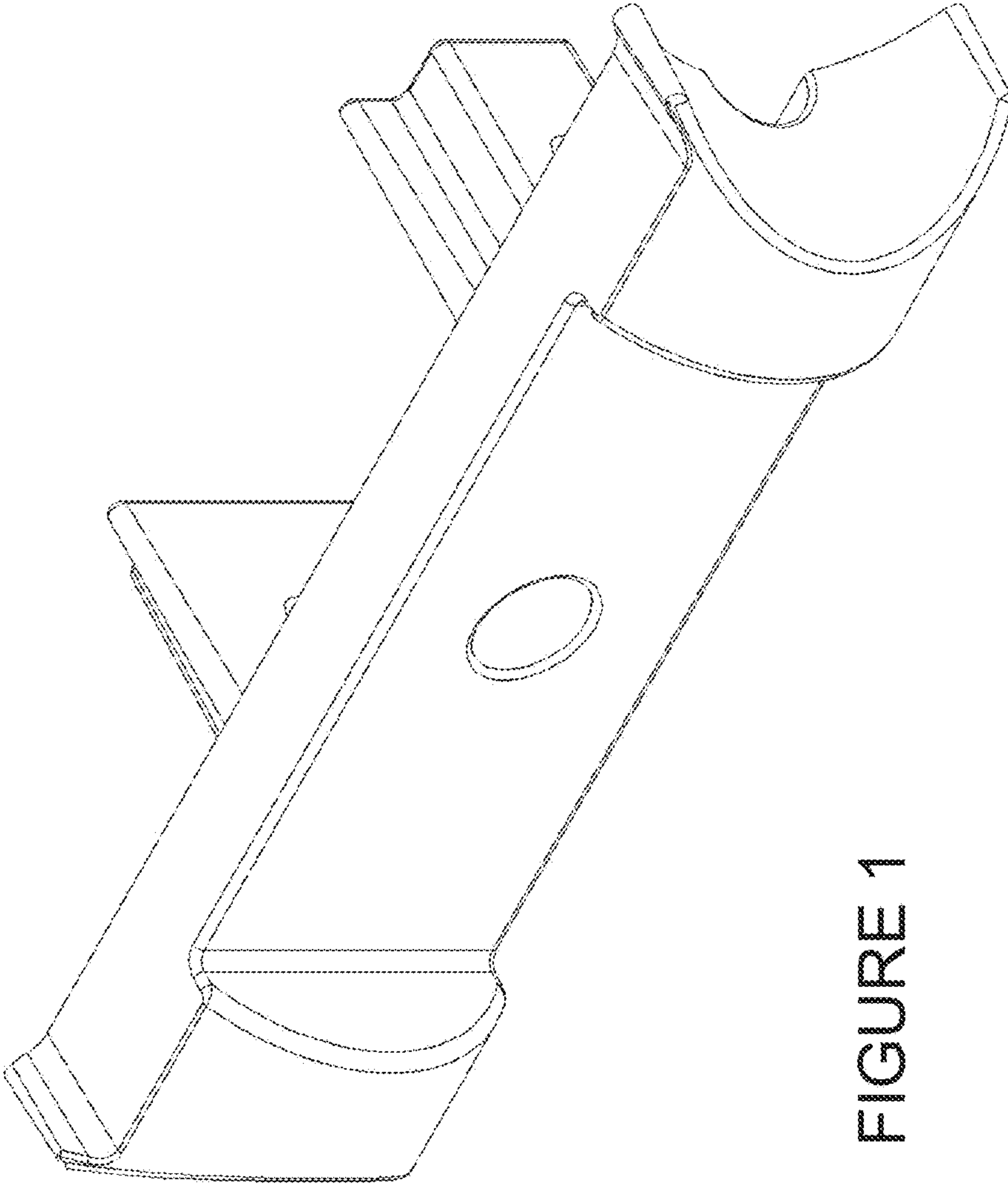


FIGURE 1

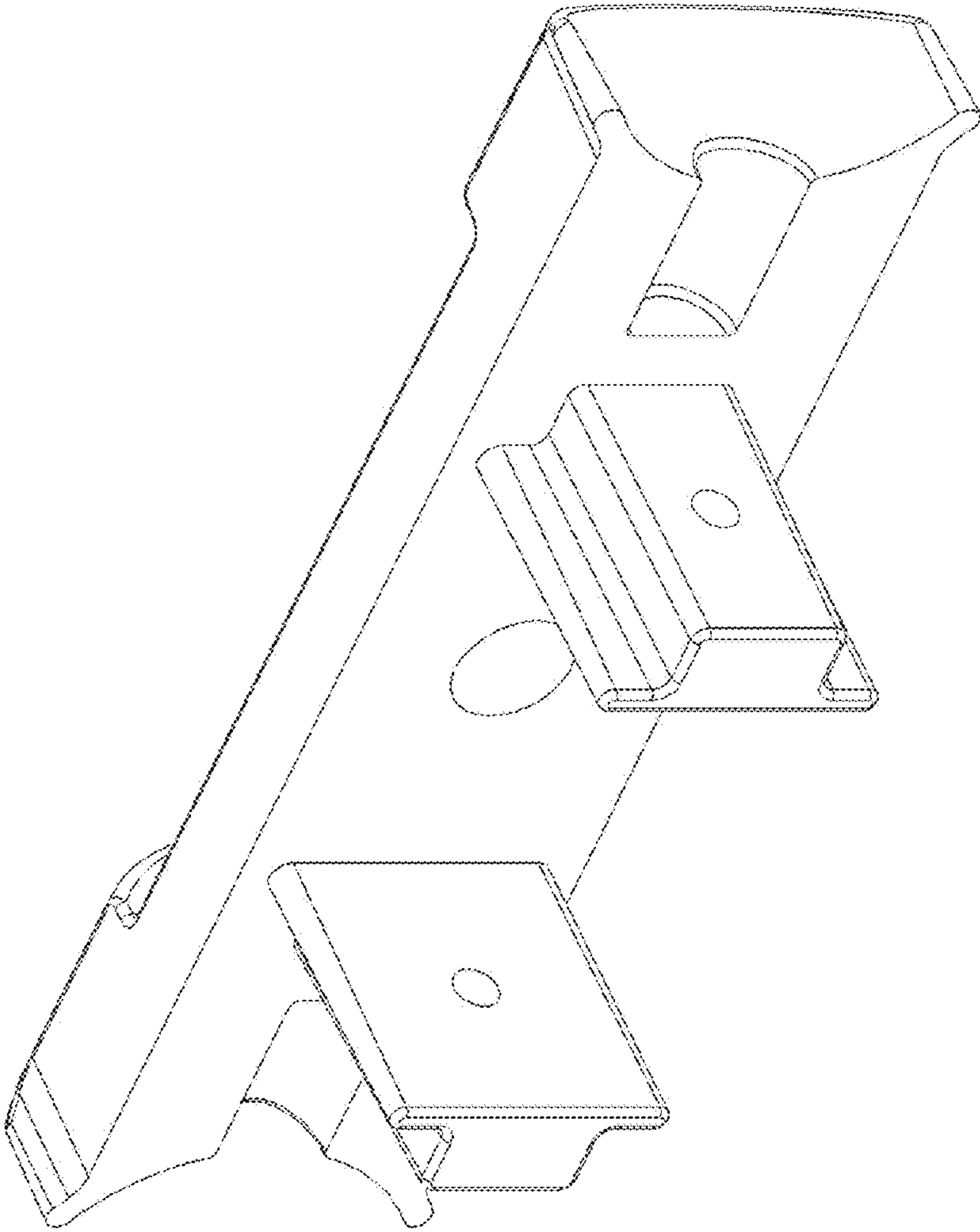


FIGURE 2

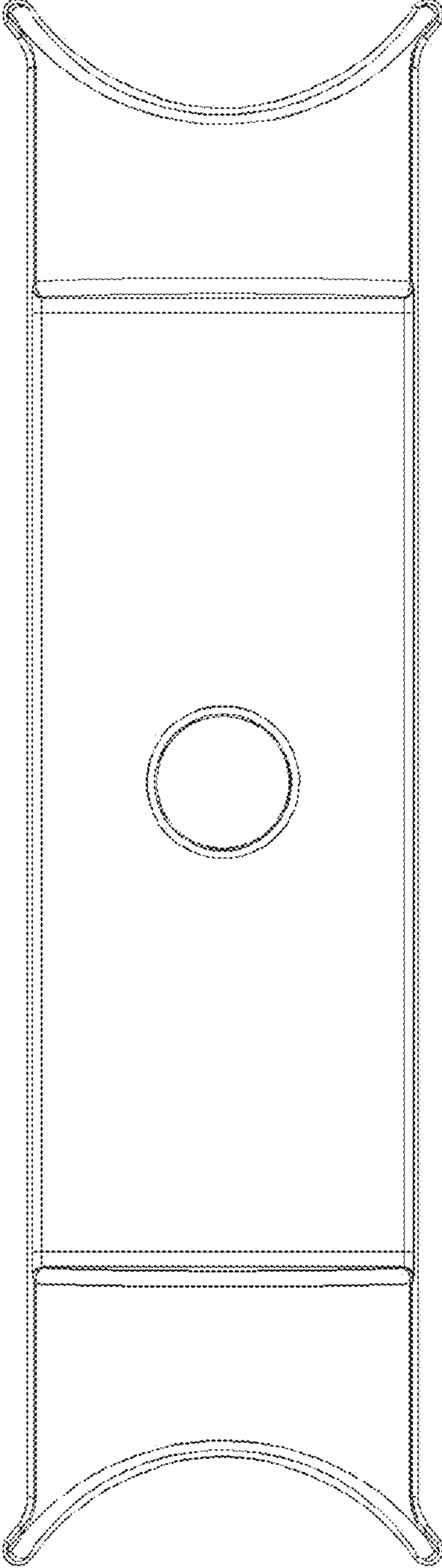


FIGURE 3

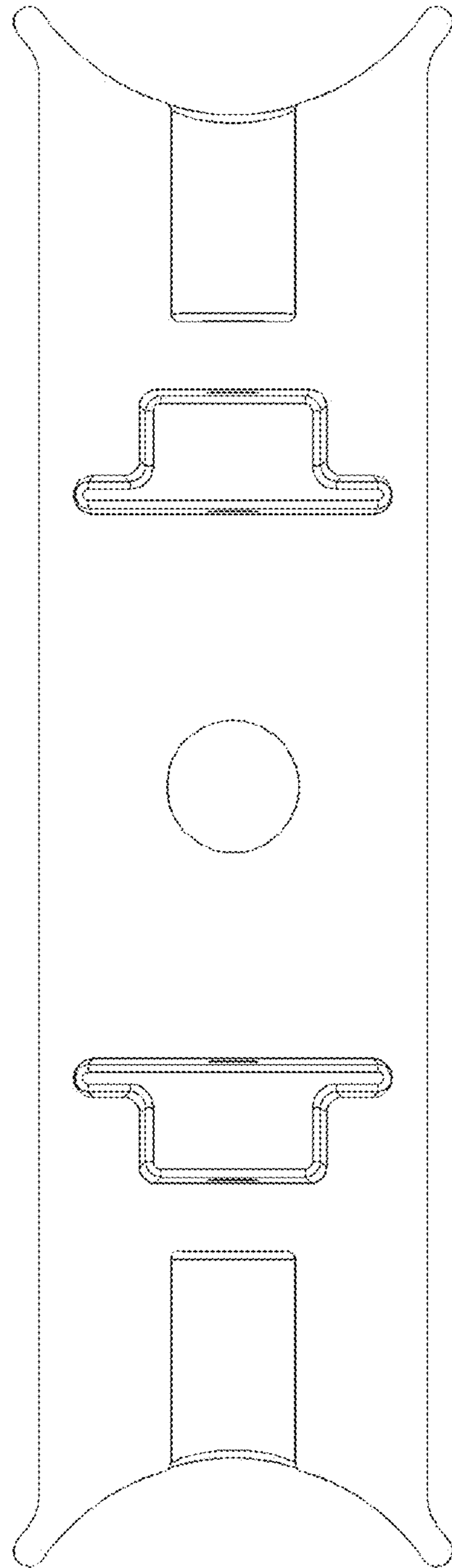


FIGURE 4

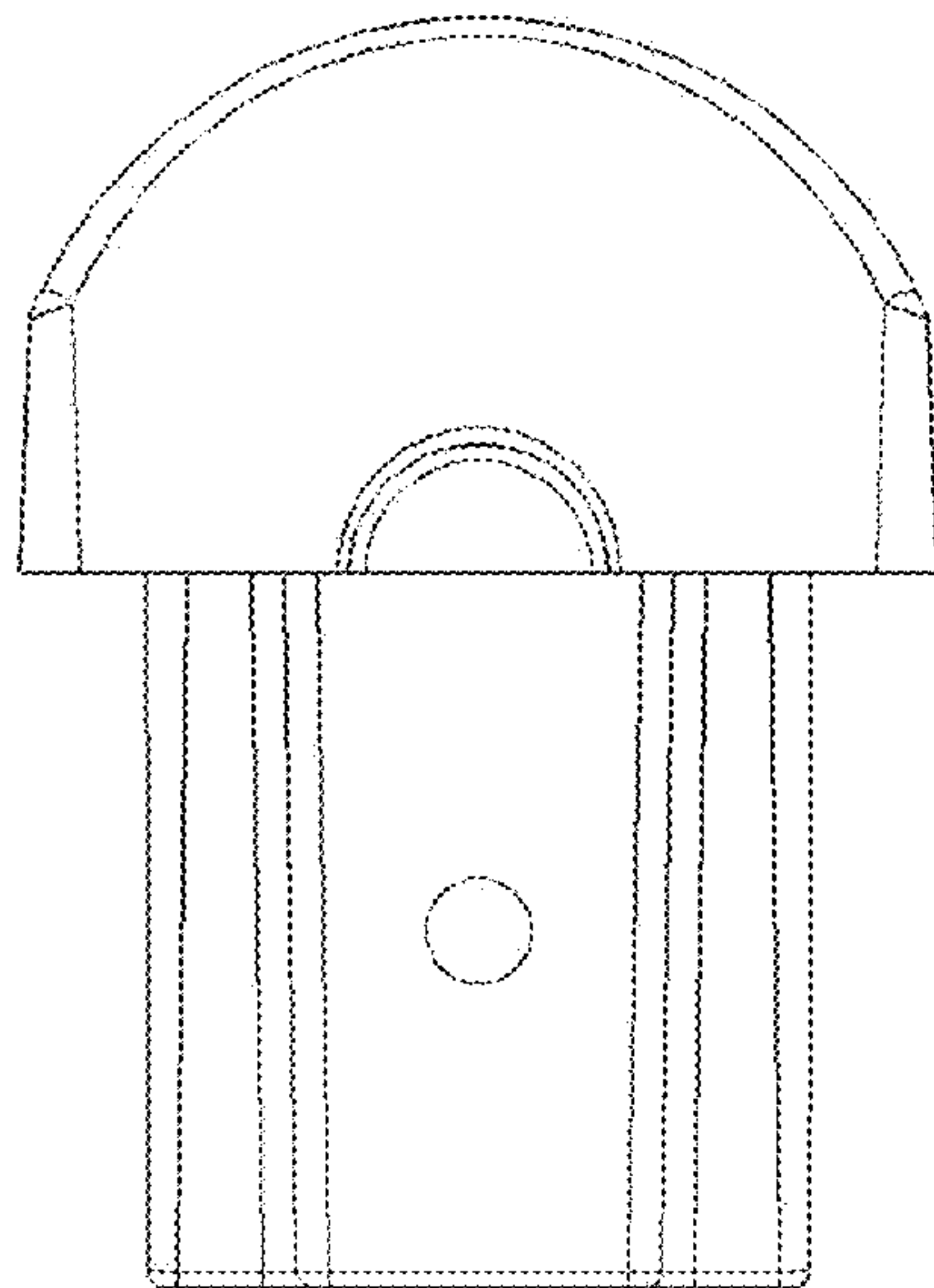


FIGURE 5

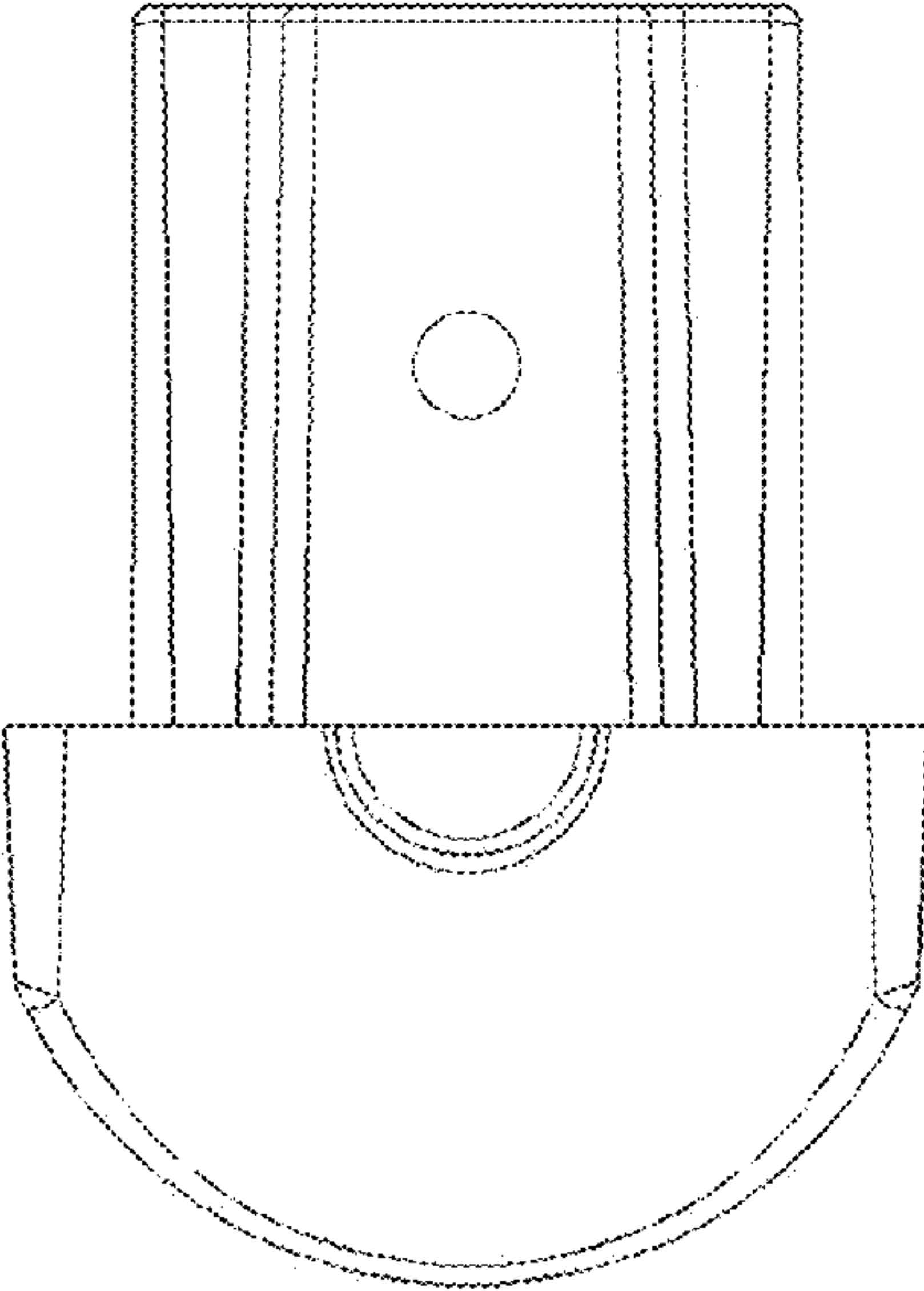


FIGURE 6

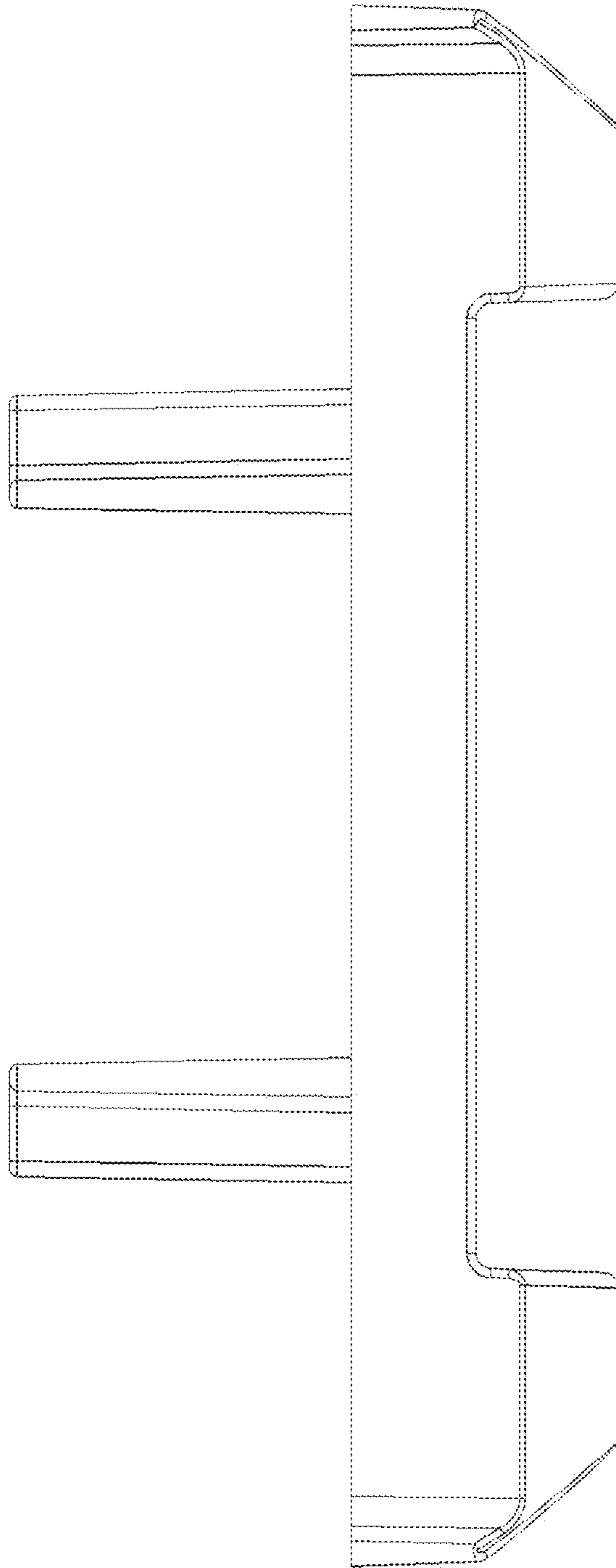


FIGURE 7

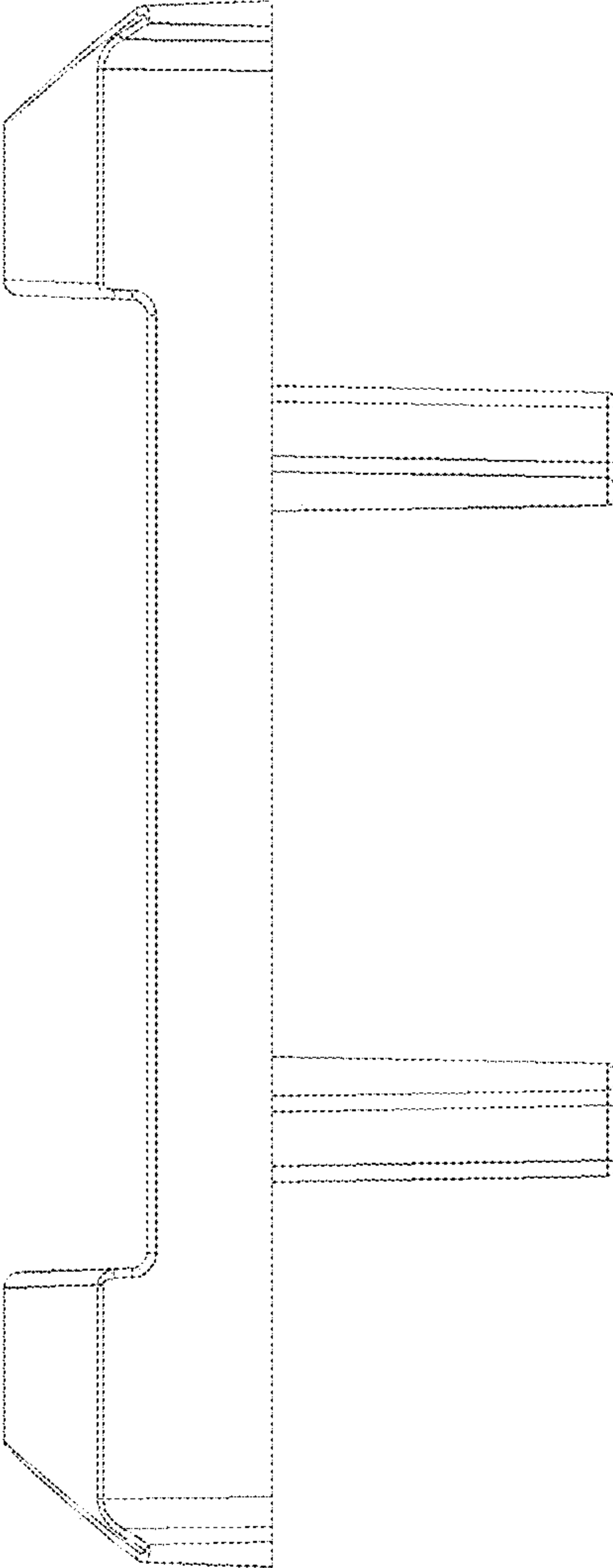


FIGURE 8