



US00D789190S

(12) **United States Design Patent**  
**Vermillion**

(10) **Patent No.:** **US D789,190 S**  
(45) **Date of Patent:** **\*\* Jun. 13, 2017**

- (54) **DOUBLE ENDED CLIP**
- (71) Applicant: **Bradley N. Vermillion**, Highlands, TX (US)
- (72) Inventor: **Bradley N. Vermillion**, Highlands, TX (US)
- (\*\*) Term: **15 Years**
- (21) Appl. No.: **29/553,324**
- (22) Filed: **Jan. 30, 2016**
- (51) **LOC (10) Cl.** ..... **08-08**
- (52) **U.S. Cl.**  
USPC ..... **D8/396**
- (58) **Field of Classification Search**  
USPC ..... D8/394-396, 373, 356-357  
CPC ..... A47K 1/08; F16B 45/00; E04G 21/32;  
H04N 17/00  
See application file for complete search history.

- 4,511,164 A 4/1985 Orchard
  - 4,979,714 A \* 12/1990 Russell ..... A61M 5/1418  
24/370
  - D323,104 S 1/1992 Russell
  - 5,575,446 A 11/1996 Swenson et al.
  - D387,652 S 12/1997 Carlson, Jr.
  - 5,759,049 A \* 6/1998 Gerber ..... H01M 2/1044  
439/74
  - D402,191 S 12/1998 Feder
  - 6,049,953 A \* 4/2000 McCay ..... A44B 18/00  
24/302
  - D432,905 S \* 10/2000 Sutker ..... D8/394
  - D439,832 S \* 4/2001 Crooks ..... D8/394
- (Continued)

(56) **References Cited**

**U.S. PATENT DOCUMENTS**

- D34,263 S 3/1901 Bailey
- D15,622 S 12/1901 Preble
- D44,957 S 12/1913 Grizzard
- D46,019 S 6/1914 Cantrell et al.
- 1,165,606 A \* 12/1915 King ..... F16B 45/02  
24/598.4
- 1,376,753 A \* 5/1921 Febrey ..... B42F 9/00  
211/89.01
- 2,064,133 A \* 12/1936 Von Schroeder .... A47G 29/083  
248/214
- D204,159 S \* 3/1966 Piasecki ..... D8/357
- 3,630,475 A \* 12/1971 Barry ..... A47F 13/00  
248/205.1
- D234,246 S \* 2/1975 Martini ..... D8/395
- D248,367 S \* 7/1978 Haft ..... D8/356
- D262,183 S \* 12/1981 Brown ..... D8/107
- 4,406,042 A \* 9/1983 McPhee ..... A61M 5/1418  
24/129 A

**FOREIGN PATENT DOCUMENTS**

- CN 303117841 3/2015
- FR 20140588-001 \* 5/2014
- RU 00095610 \* 10/2015

*Primary Examiner* — John Windmuller  
*Assistant Examiner* — John R Yeh  
(74) *Attorney, Agent, or Firm* — John R. Casperson

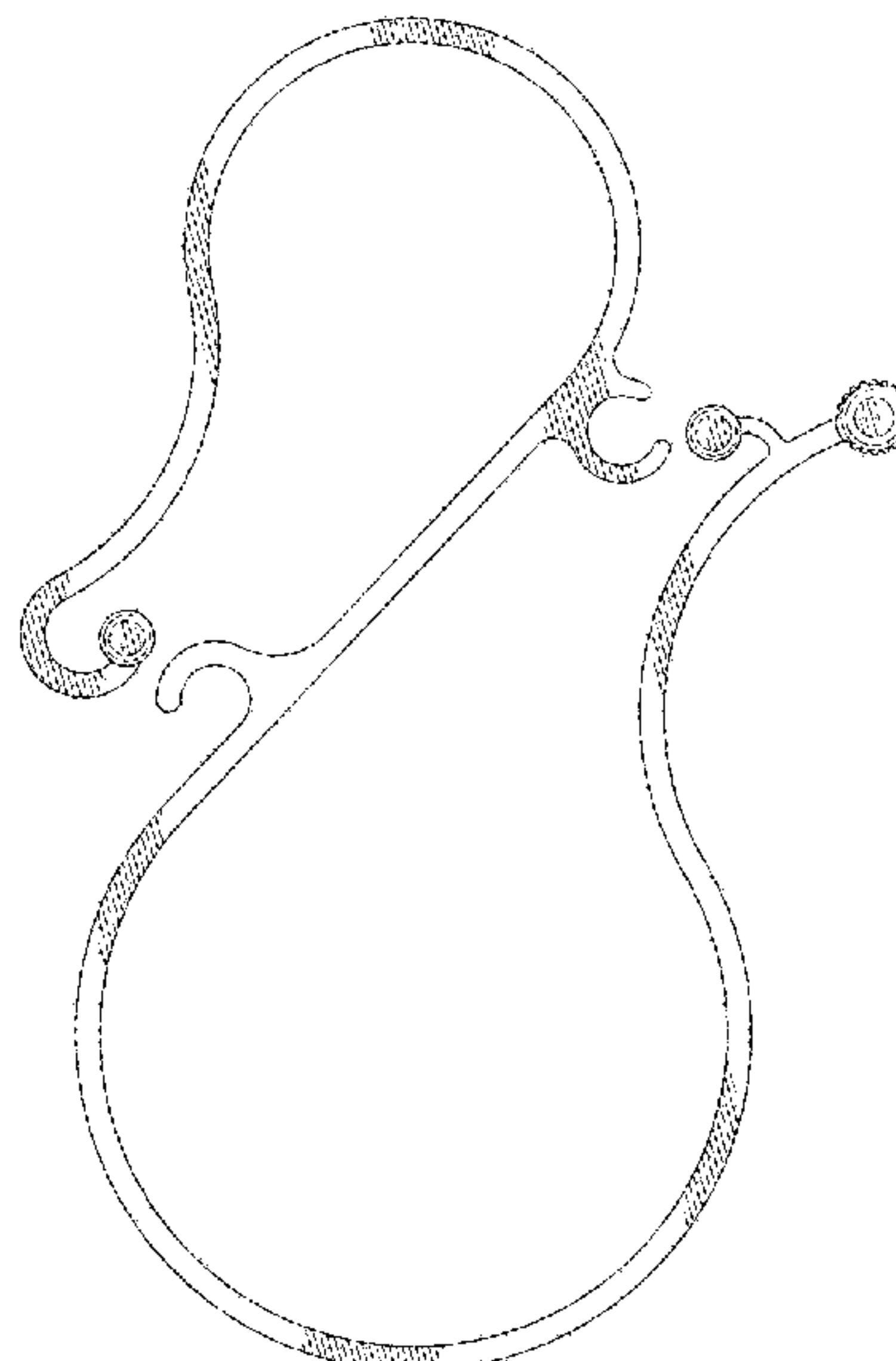
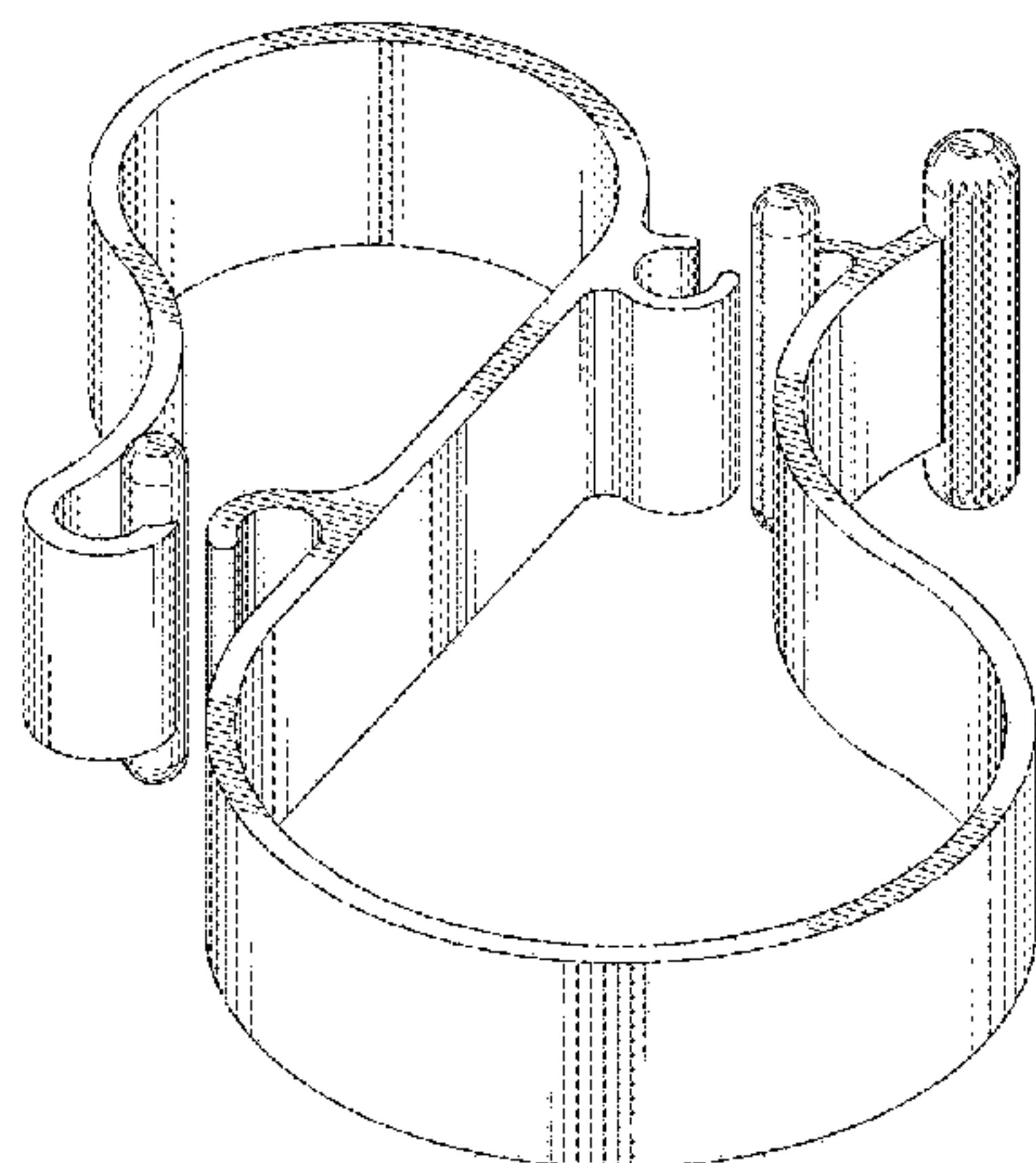
(57) **CLAIM**

The ornamental design for a double ended clip, as shown and described.

**DESCRIPTION**

FIG. 1 is a rear top isometric view of a double ended clip showing my new design;  
FIG. 2 is front bottom isometric view thereof;  
FIG. 3 is a left side top isometric view thereof;  
FIG. 4 is a right side top isometric view thereof;  
FIG. 5 is a top plan view thereof;  
FIG. 6 is a bottom plan view thereof;  
FIG. 7 is a front plan view thereof;  
FIG. 8 is a rear plan thereof;  
FIG. 9 is a left side elevation thereof; and,  
FIG. 10 is a right side elevation thereof.

**1 Claim, 8 Drawing Sheets**



(56)

**References Cited**

U.S. PATENT DOCUMENTS

D439,833	S *	4/2001	Nakamura .....	D8/356
D447,936	S *	9/2001	Kacines .....	D8/394
D482,269	S	11/2003	Martello	
D492,188	S	6/2004	Goldberg	
D494,055	S	8/2004	Jones et al.	
D522,852	S *	6/2006	Nawrocki .....	D8/395
D577,574	S	9/2008	Liang	
D584,132	S	1/2009	Judd	
D594,738	S	6/2009	Kelleghan	
D600,544	S	9/2009	Klaus et al.	
D612,710	S	3/2010	Kelleghan	
D626,393	S	11/2010	Ormsbee	
D631,332	S *	1/2011	Bauer .....	D8/367
D631,333	S *	1/2011	Bauer .....	D8/367
D646,556	S	10/2011	Kelleghan	
D669,764	S	10/2012	Kelleghan	
D686,058	S	7/2013	Paik et al.	
D695,098	S *	12/2013	Hobson .....	D8/395
D698,232	S	1/2014	Weinberg	
D698,625	S	2/2014	Liang	
D698,626	S	2/2014	Ormsbee et al.	
D708,446	S *	7/2014	Goodman .....	D6/323
9,255,602	B2 *	2/2016	Liang .....	F16B 45/02
D763,063	S *	8/2016	Welch .....	D8/356

\* cited by examiner

FIG. 1

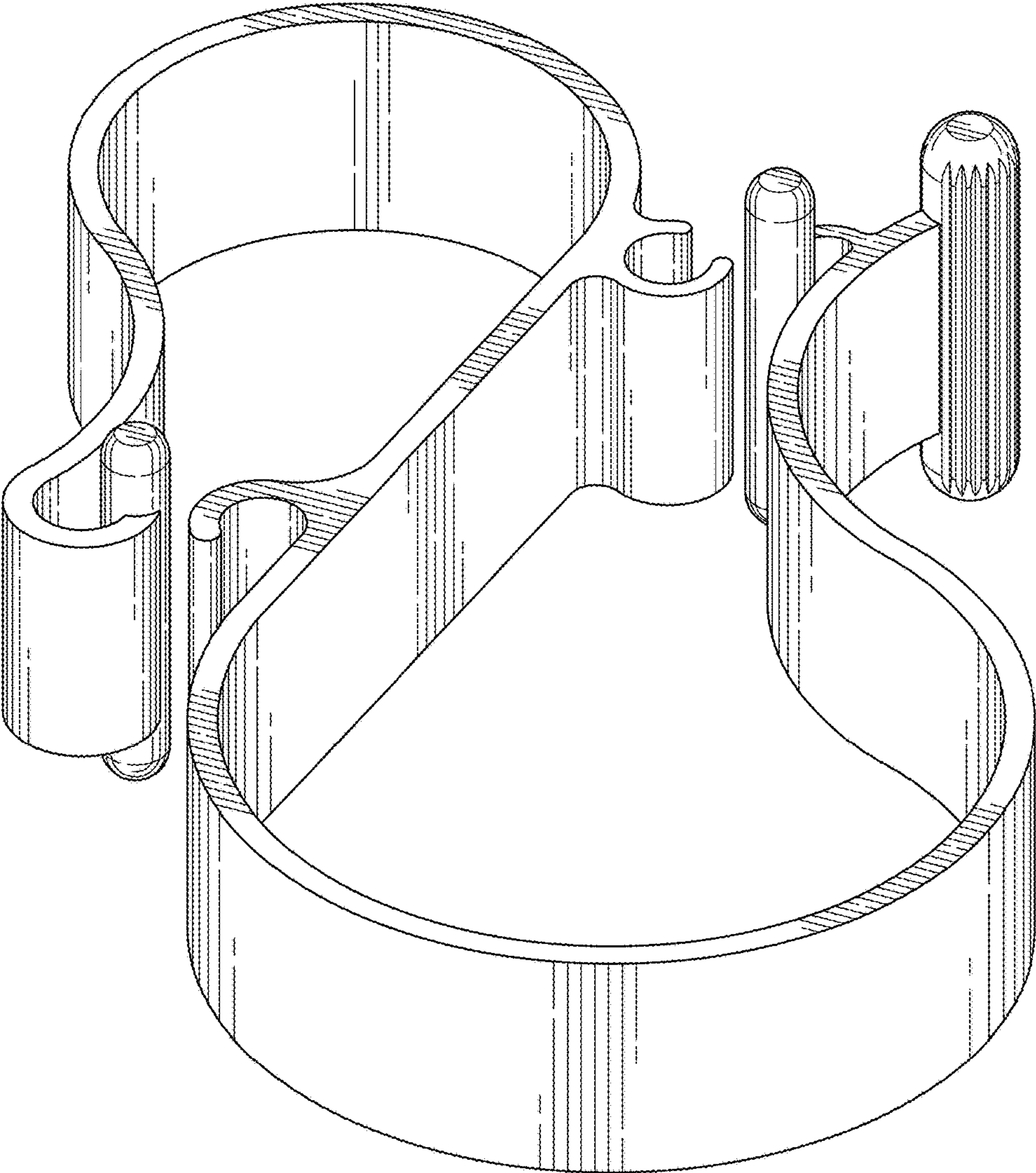




FIG. 2

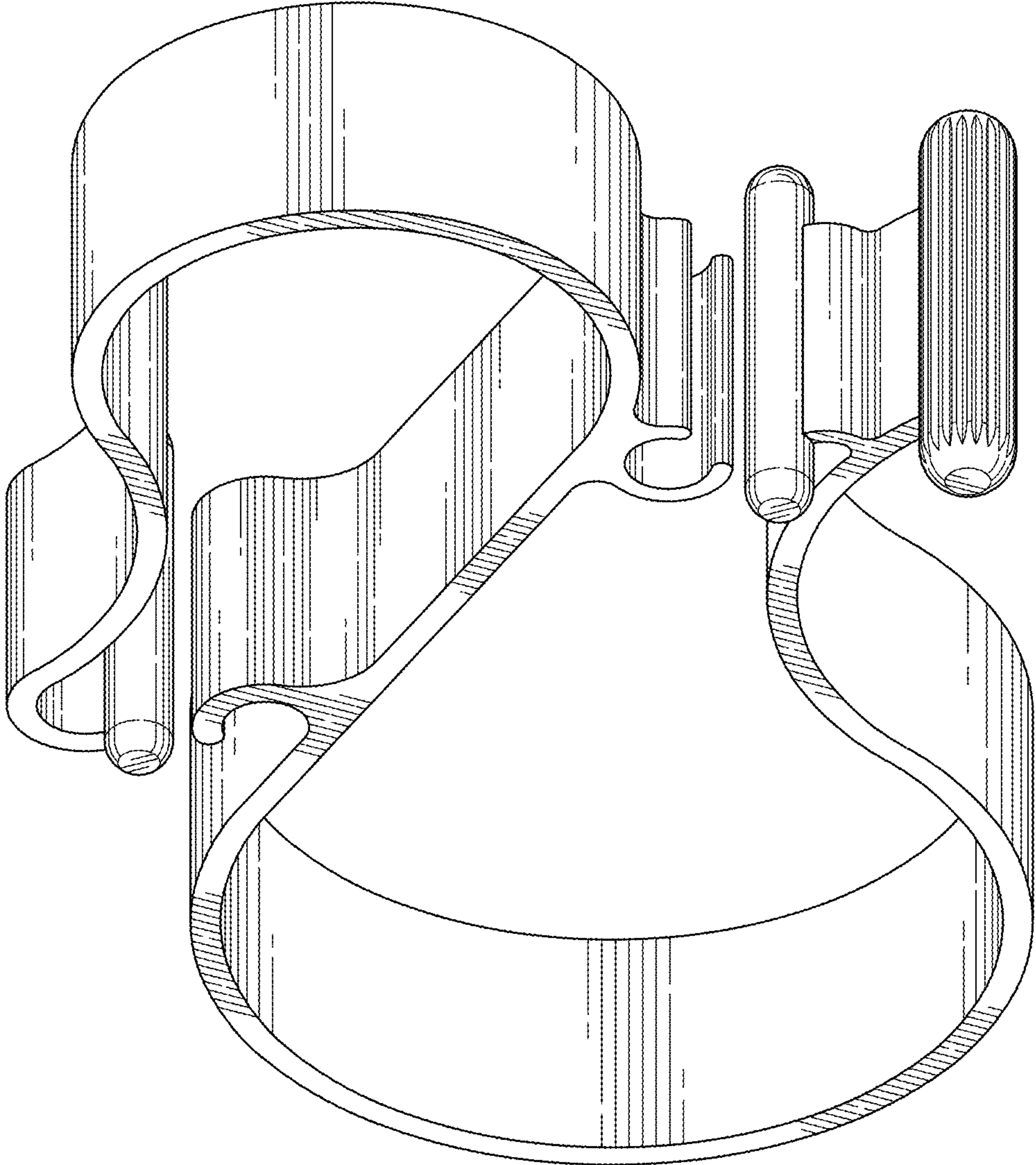


FIG. 3

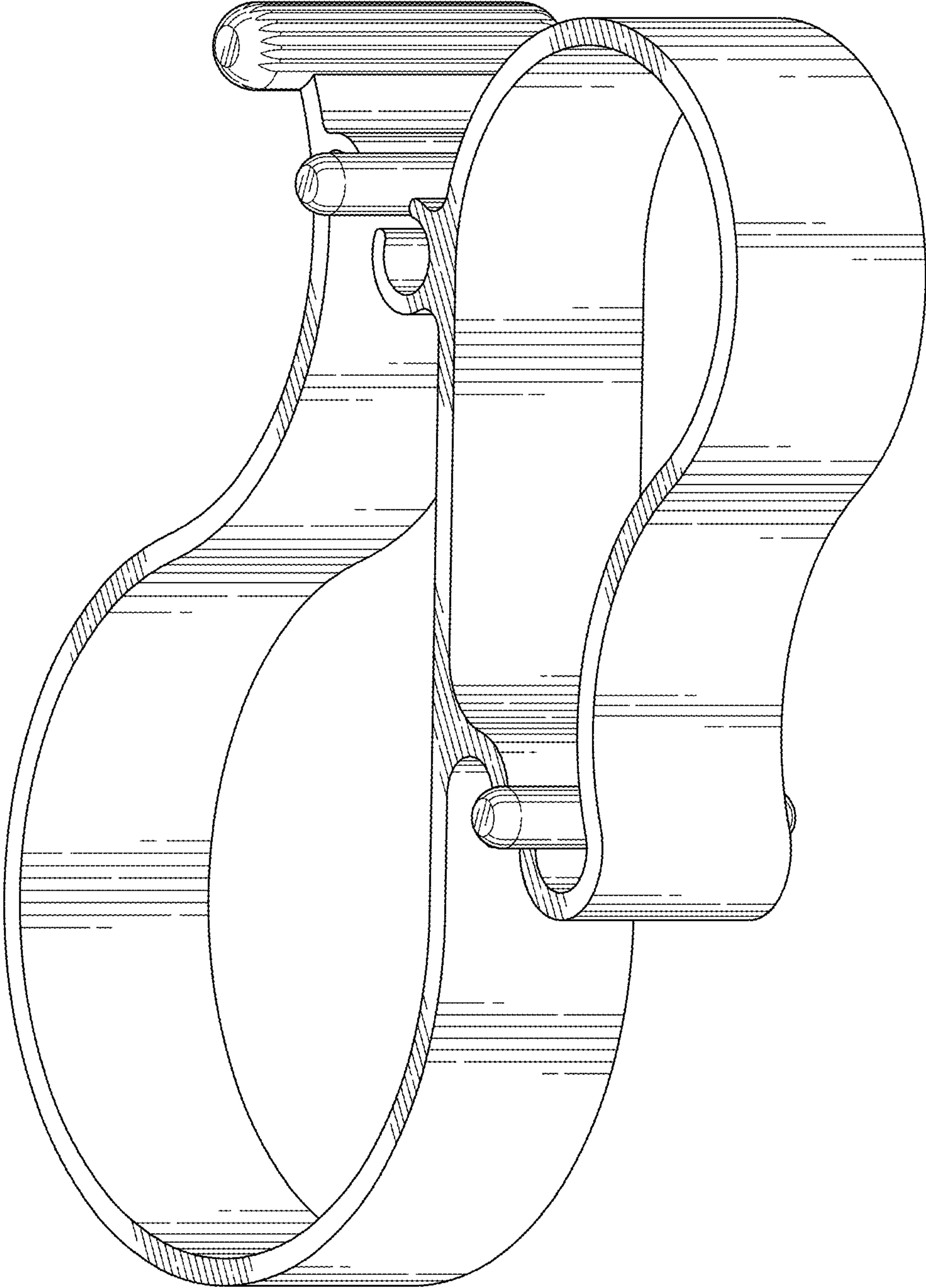


FIG. 4

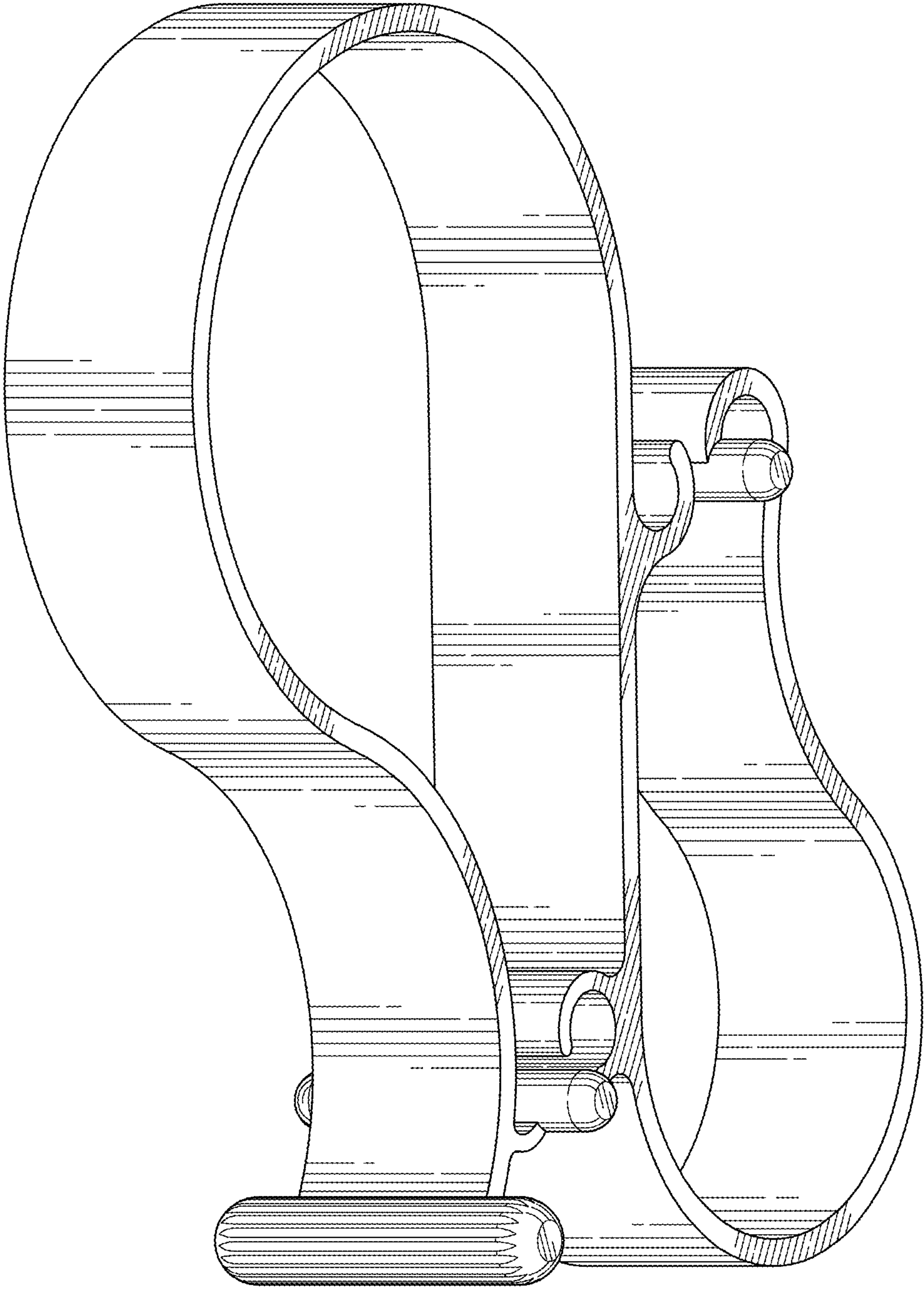


FIG. 5

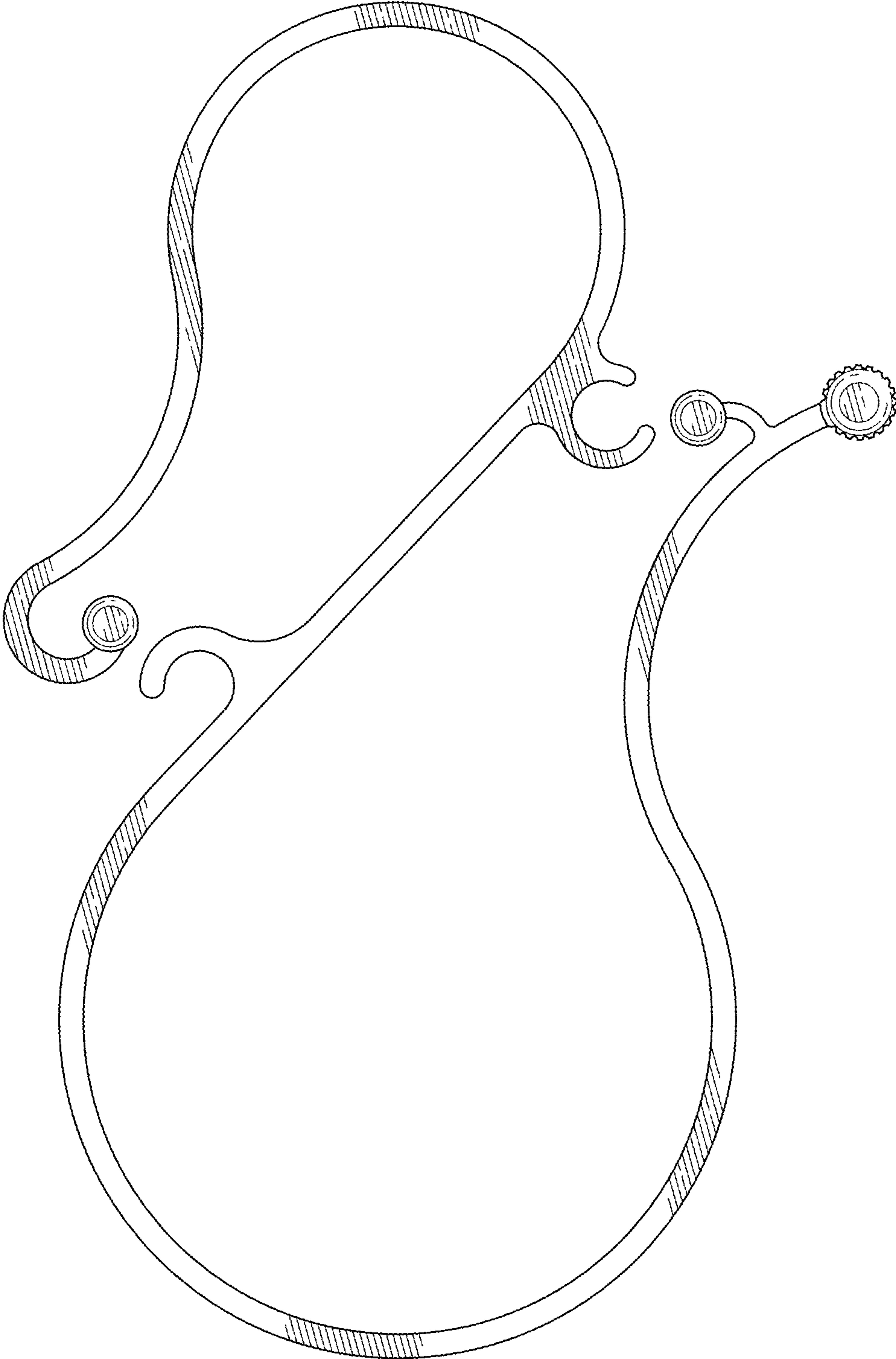


FIG. 6

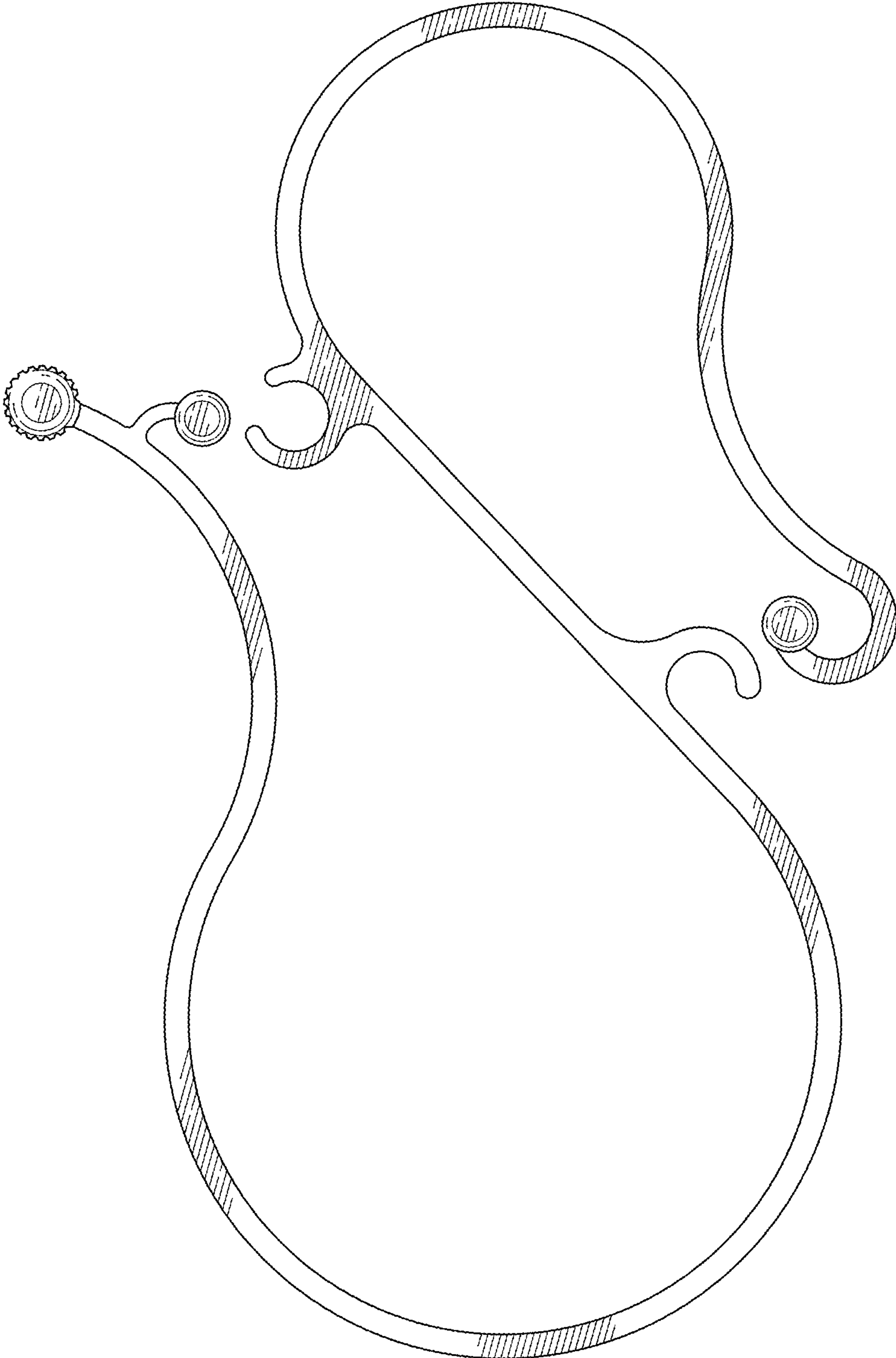




FIG. 7

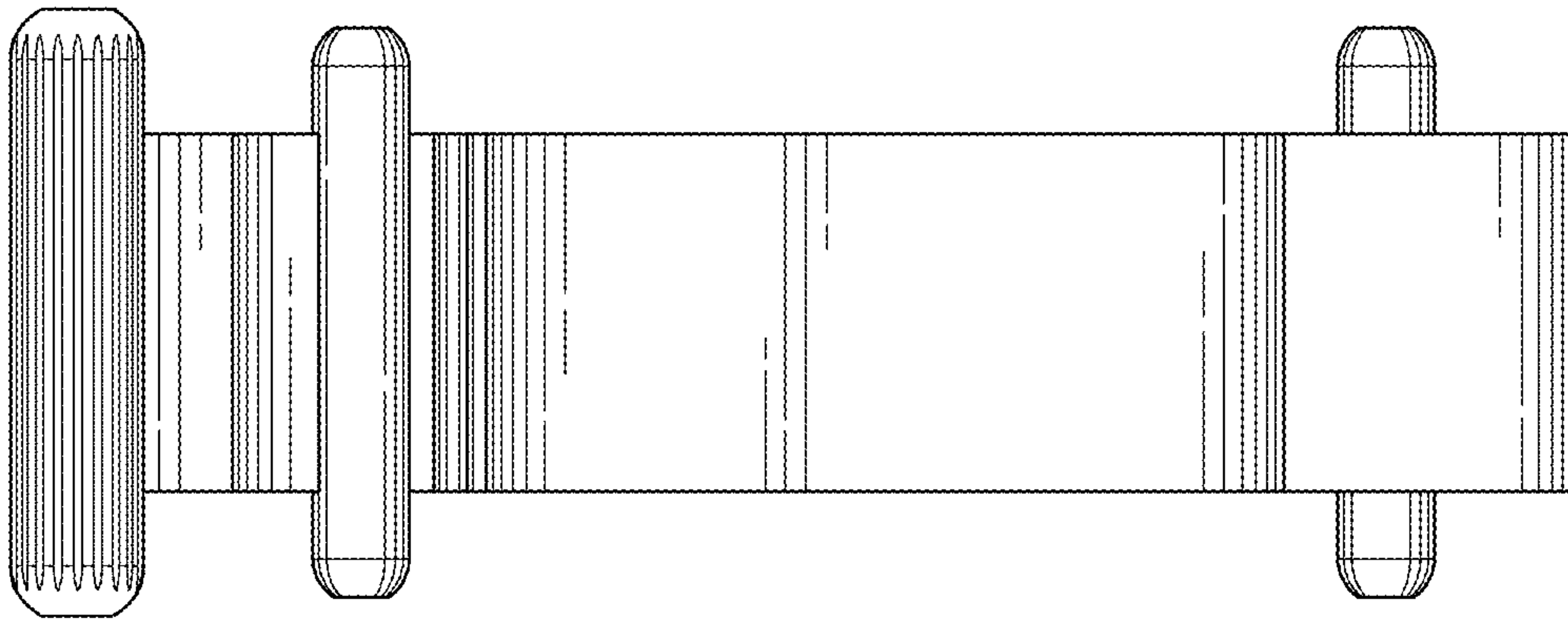


FIG. 8

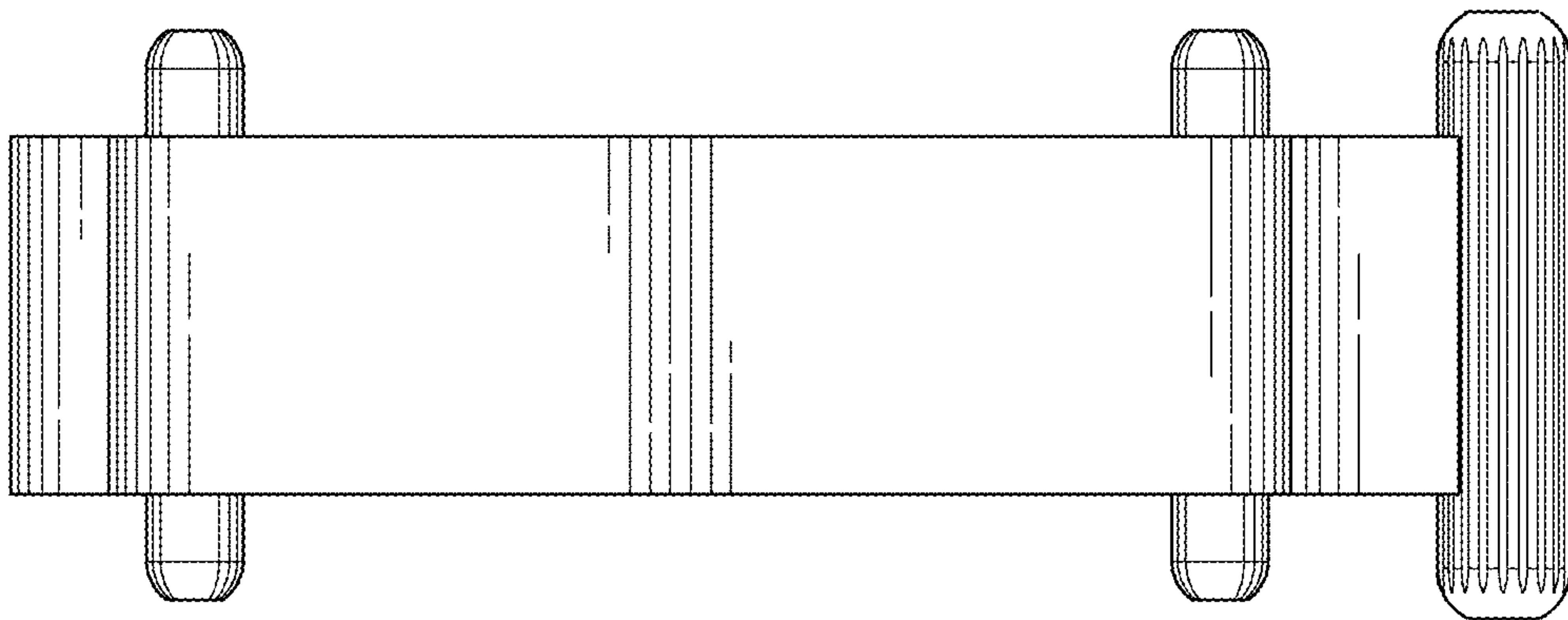


FIG. 9

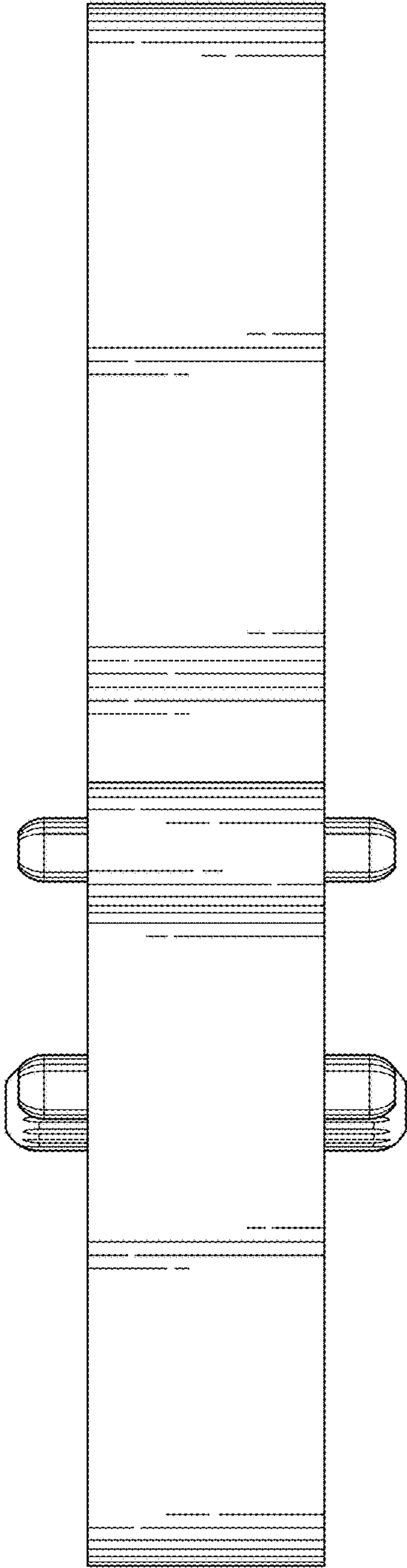


FIG. 10

