



US00D789189S

(12) **United States Design Patent**  
**Hooker**

(10) **Patent No.:** **US D789,189 S**  
(45) **Date of Patent:** **\*\* Jun. 13, 2017**

(54) **HAND TOOL RETRIEVER**  
(71) Applicant: **Karen B. Hooker**, Ovando, MT (US)  
(72) Inventor: **Karen B. Hooker**, Ovando, MT (US)  
(\*\*) Term: **15 Years**  
(21) Appl. No.: **29/565,554**  
(22) Filed: **May 22, 2016**  
(51) **LOC (10) Cl.** ..... **08-08**  
(52) **U.S. Cl.**  
USPC ..... **D8/382**  
(58) **Field of Classification Search**  
USPC ..... D8/382, 383, 394, 349, 399; D29/101.1,  
D29/122, 129  
CPC ..... A45F 2005/006; A45F 5/00; A45F 5/02;  
A45F 5/021; A45F 2005/025; A45F  
2005/027; A45F 2200/0575; A01K  
27/005; B66C 1/36; F16B 45/00  
See application file for complete search history.

5,600,873 A \* 2/1997 May ..... G02C 3/003  
200/330  
6,036,066 A \* 3/2000 Giacona, III ..... A45C 13/30  
224/148.6  
6,131,780 A \* 10/2000 Becker ..... A45F 3/04  
224/148.6  
6,216,319 B1 \* 4/2001 Elkins ..... A45F 5/00  
224/221  
6,299,040 B1 \* 10/2001 Matias ..... A45F 5/00  
224/254  
6,530,131 B1 \* 3/2003 Hopkins ..... A45F 5/00  
24/3.13  
D751,886 S \* 3/2016 Wright ..... D8/382

\* cited by examiner

*Primary Examiner* — Randall Gholson  
(74) *Attorney, Agent, or Firm* — RG Patent Consulting,  
LLC; Rachel Gilboy

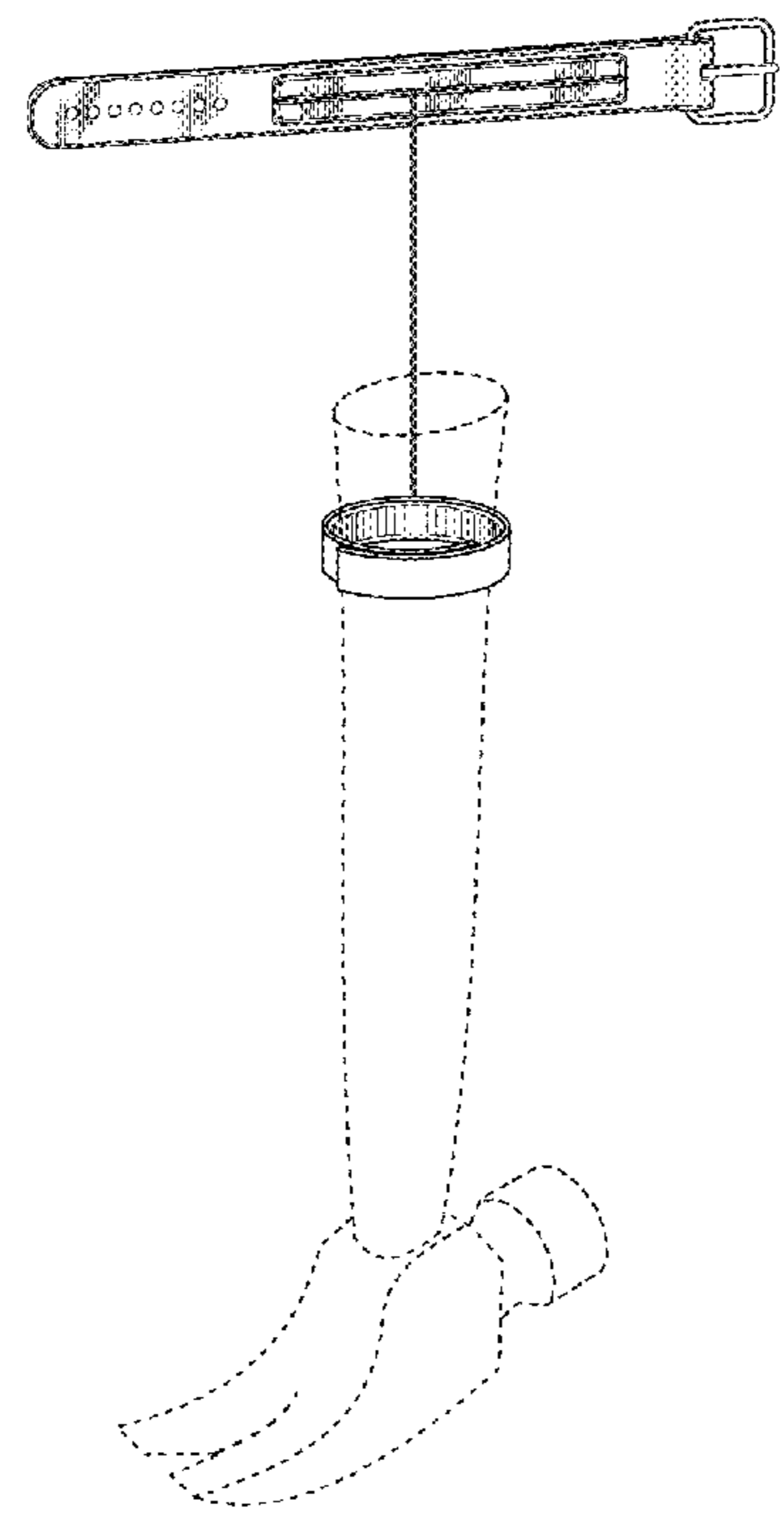
(57) **CLAIM**  
The ornamental design for a hand tool retriever, as shown  
and described.

**DESCRIPTION**

FIG. 1 is a perspective view of the hand tool retriever  
showing my new design;  
FIG. 2 is a front elevation view thereof;  
FIG. 3 is a rear elevation view thereof;  
FIG. 4 is a right elevation view thereof;  
FIG. 5 is a left elevation view thereof;  
FIG. 6 is a top plan view thereof; and,  
FIG. 7 is a bottom plan view thereof.  
The broken lines shown in the drawings show unclaimed  
subject matter only and form no part of the claimed design.

**1 Claim, 7 Drawing Sheets**

(56) **References Cited**  
U.S. PATENT DOCUMENTS  
2,994,300 A \* 8/1961 Grahling ..... A01K 27/005  
119/770  
4,253,544 A \* 3/1981 Dalmaso ..... A62B 35/04  
182/18  
5,052,602 A \* 10/1991 Duchi, Jr. .... A45C 13/26  
224/218  
5,082,156 A \* 1/1992 Braun ..... A45F 5/00  
224/220  
D377,862 S \* 2/1997 Moore ..... 224/220



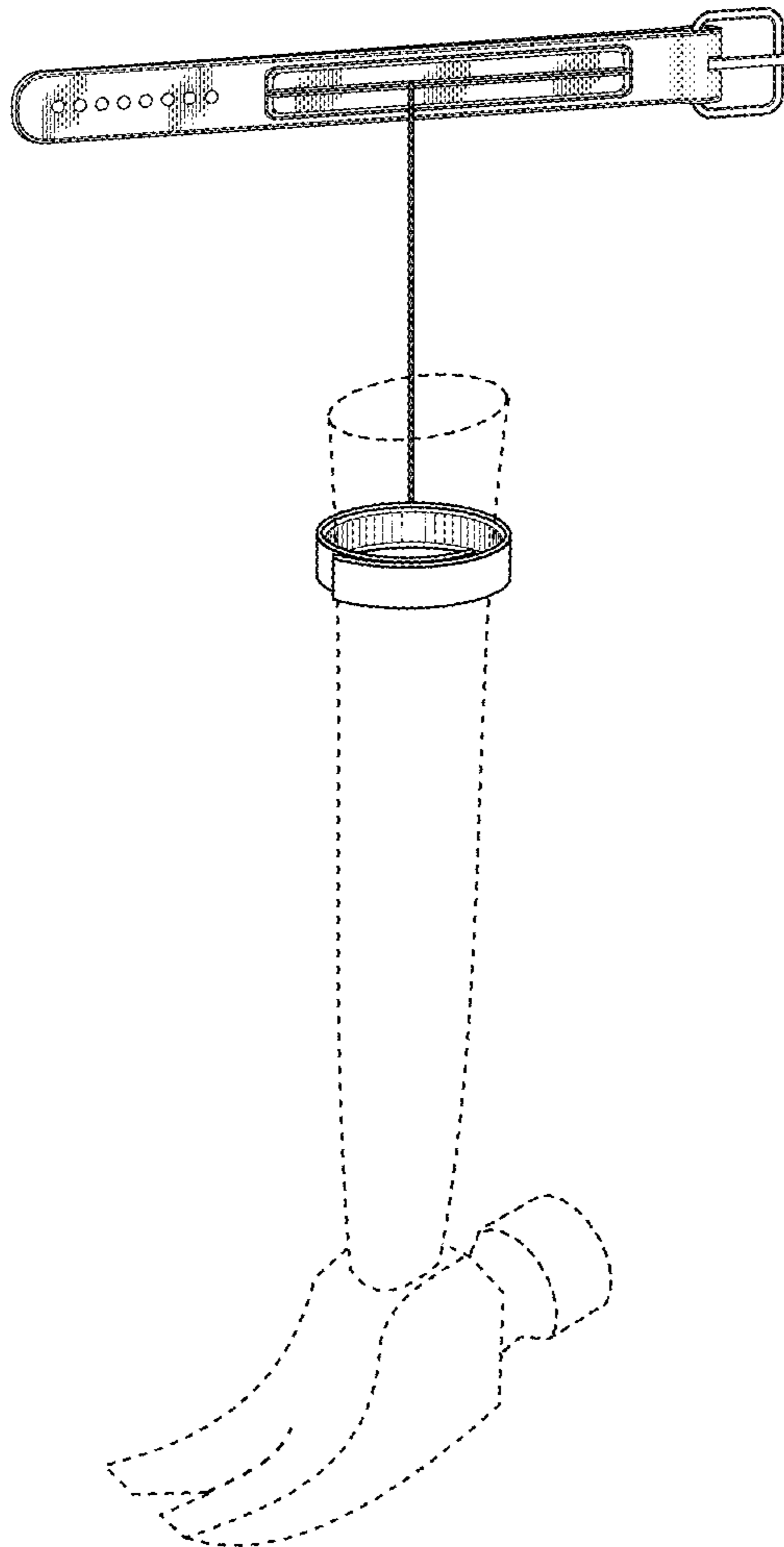


FIG. 1

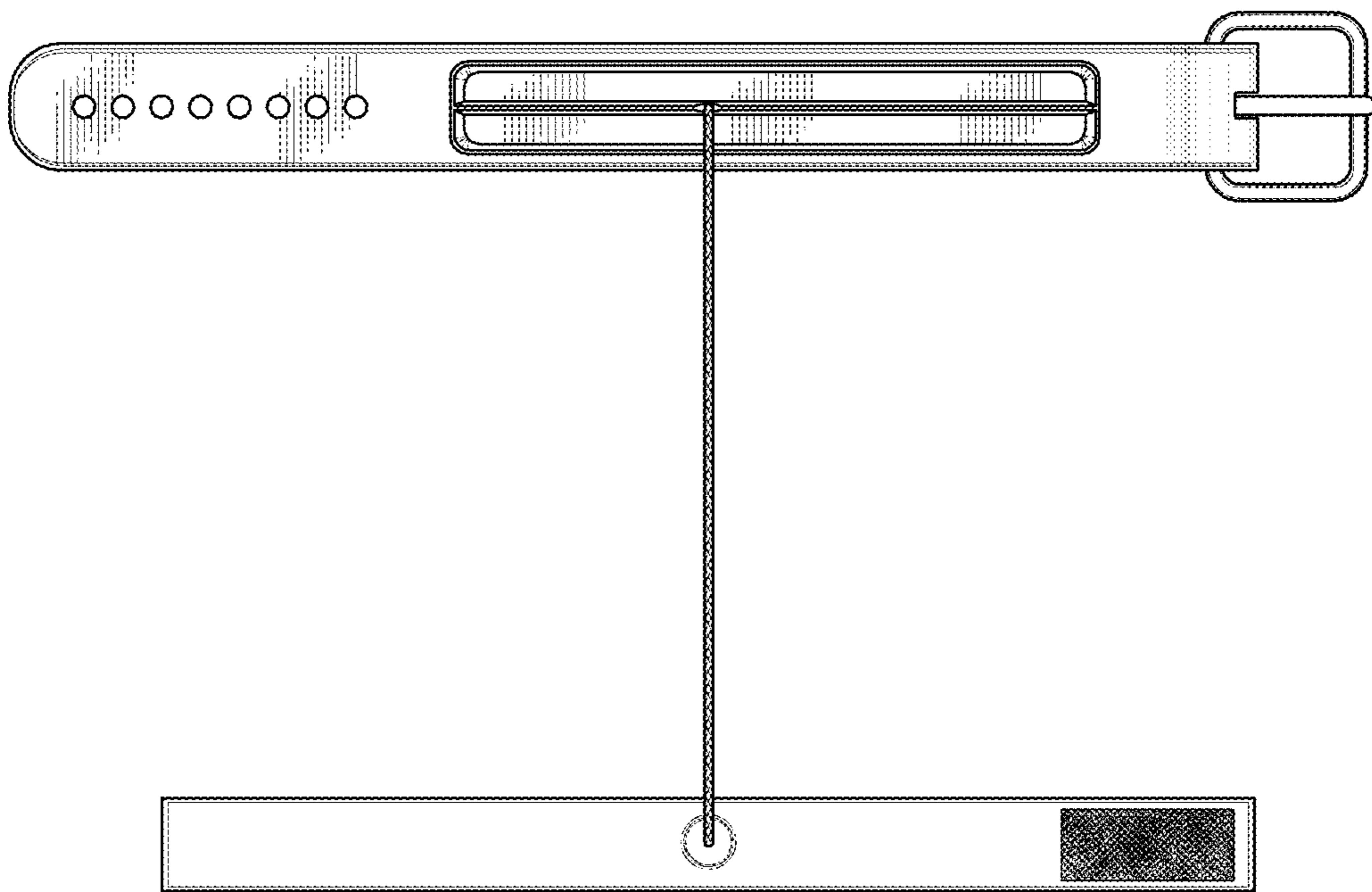


FIG. 2

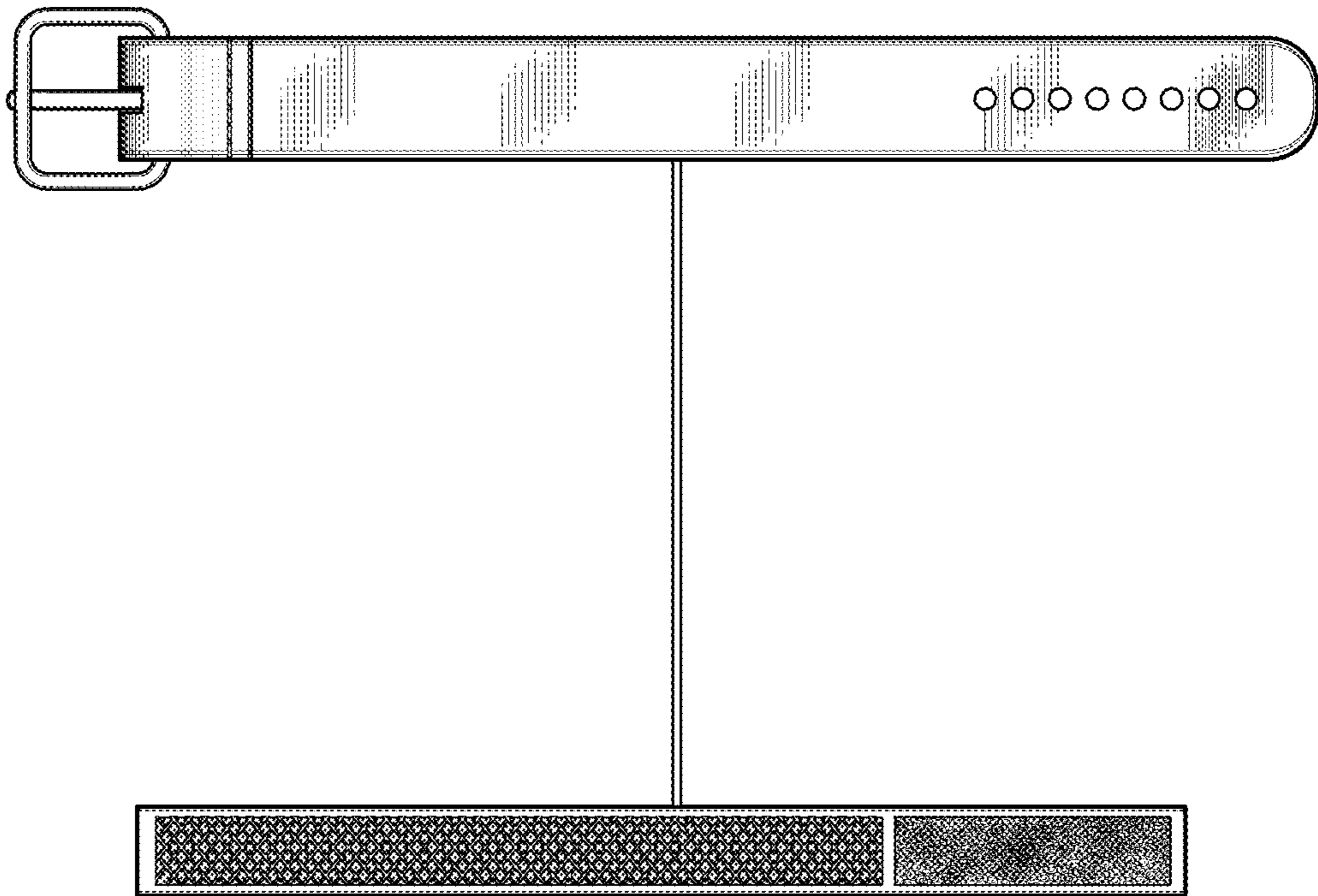


FIG. 3

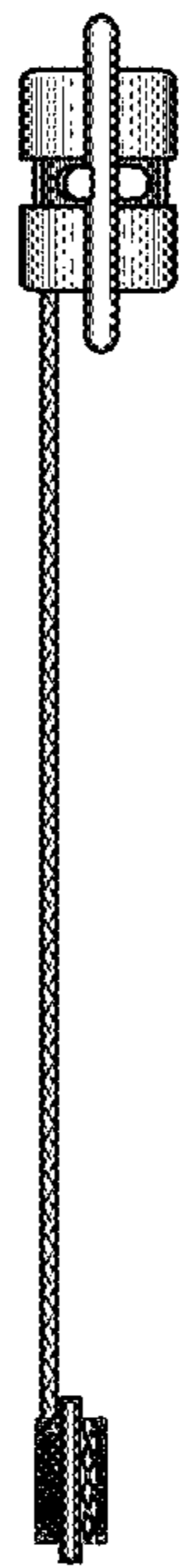


FIG. 4

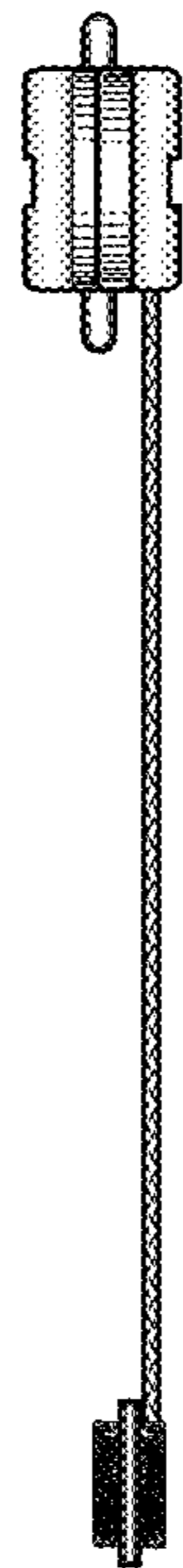


FIG. 5

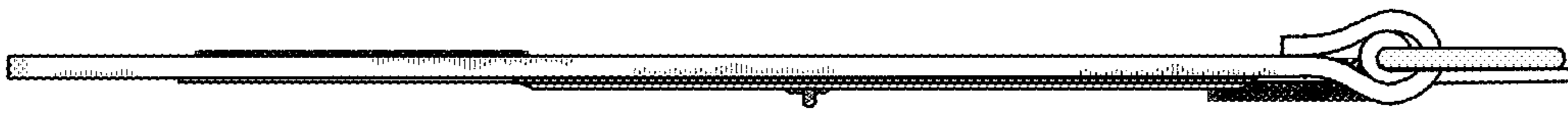


FIG. 6

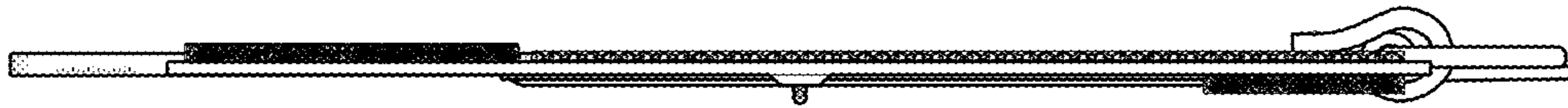


FIG. 7