



US00D789188S

(12) **United States Design Patent** (10) **Patent No.:** **US D789,188 S**
Votel et al. (45) **Date of Patent:** **** Jun. 13, 2017**

- (54) **LANYARD**
- (71) Applicant: **Tenacious Holdings, Inc.**, St. Paul, MN (US)
- (72) Inventors: **Thomas Votel**, Sunfish Lake, MN (US); **Nathan Bohmbach**, Bloomington, MN (US)
- (73) Assignee: **Tenacious Holdings, Inc.**, St. Paul, MN (US)
- (**) Term: **15 Years**
- (21) Appl. No.: **29/563,049**
- (22) Filed: **May 2, 2016**

Related U.S. Application Data

- (63) Continuation-in-part of application No. 14/020,929, filed on Sep. 9, 2013.
- (51) **LOC (10) Cl.** **08-08**
- (52) **U.S. Cl.**
USPC **D8/382**
- (58) **Field of Classification Search**
USPC D8/382, 383, 394, 349, 399; D29/101.1, D29/122, 129
CPC A45F 2005/006; A45F 5/00; A45F 5/02; A45F 5/021; A45F 2005/025; A45F 2005/027; A45F 2200/0575; A01K 27/005; B66C 1/36; F16B 45/00
See application file for complete search history.

(56) **References Cited**

U.S. PATENT DOCUMENTS

- 2,994,300 A * 8/1961 Grahling A01K 27/005 119/770
- 3,993,109 A 11/1976 Fortsch
- 4,051,584 A 10/1977 Huser
- 4,253,544 A * 3/1981 Dalmaso A62B 35/04 182/18

- 4,321,952 A 3/1982 Natkins
 - 4,508,221 A 4/1985 Olson
 - 4,515,423 A 5/1985 Moore et al.
 - 4,606,484 A 8/1986 Winter et al.
 - 4,828,154 A 5/1989 Clifton, Jr.
 - 4,860,617 A 8/1989 Robbins
 - 4,860,618 A 8/1989 Givot
 - D305,961 S * 2/1990 Cobb 224/220
 - 4,944,747 A 7/1990 Newth et al.
- (Continued)

FOREIGN PATENT DOCUMENTS

CH 672236 A5 11/1989

OTHER PUBLICATIONS

3M Low Voltage Cold Shrink brochure; 1998; 8 pages.
International Search Report and Written Opinion for PCT/US 2014/010258 (Apr. 24, 2014), 7 pages.

Primary Examiner — Randall Gholson

(74) *Attorney, Agent, or Firm* — Skaar Ulbrich Macari, P.A.

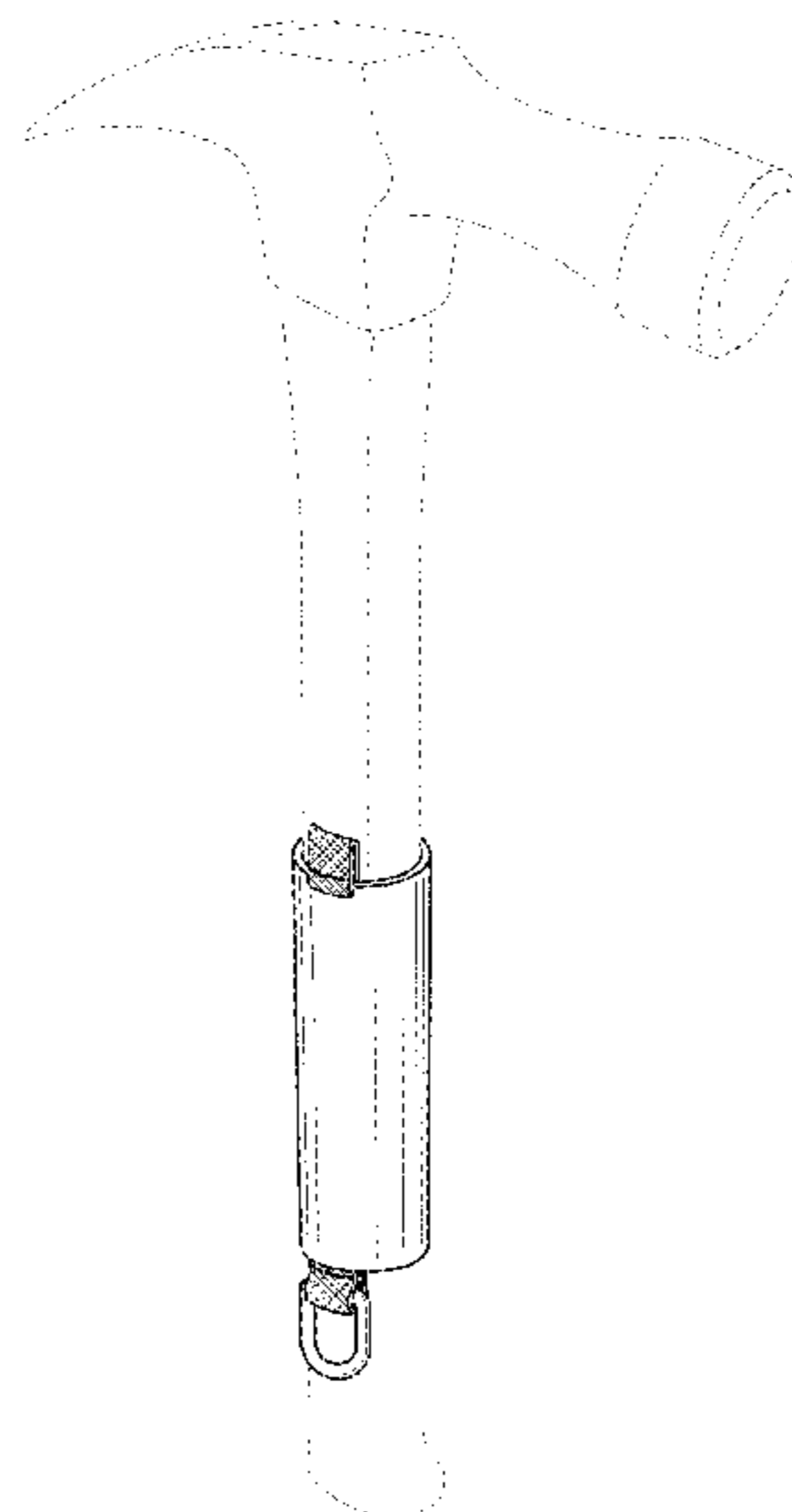
(57) **CLAIM**

We claim the ornamental design for a lanyard, as shown and described.

DESCRIPTION

FIG. 1 is a perspective of our lanyard showing our new design;
FIG. 2 is a side elevation view thereof;
FIG. 3 is an opposite side elevation view thereof;
FIG. 4 is a front elevation view thereof;
FIG. 5 is a rear elevation view thereof;
FIG. 6 is a top plan view thereof; and,
FIG. 7 is a bottom plan view thereof.
The broken lines in the drawings illustrate features of the article to which the design is applied that form no part of the claim.

1 Claim, 5 Drawing Sheets



(56)

References Cited

U.S. PATENT DOCUMENTS

5,052,602	A *	10/1991	Duchi, Jr.	A45C 13/26 224/218	6,299,040	B1 *	10/2001	Matias	A45F 5/00 224/254
5,056,661	A	10/1991	Balzano		6,338,375	B1	1/2002	Harada	
5,082,156	A *	1/1992	Braun	A45F 5/00 224/220	6,360,928	B1	3/2002	Russo	
5,163,600	A	11/1992	Barbarich et al.		6,397,711	B1	6/2002	Marek	
5,261,581	A	11/1993	Harden, Sr.		6,402,002	B1	6/2002	Benton	
5,275,068	A	1/1994	Wrench		6,487,756	B1	12/2002	Vidal et al.	
5,380,393	A	1/1995	Drabarek et al.		6,530,131	B1 *	3/2003	Hopkins	A45F 5/00 24/3.13
5,433,359	A	7/1995	Flowers		6,641,011	B1	11/2003	Kahn	
5,577,785	A	11/1996	Traber et al.		6,820,906	B1	11/2004	McClendon	
5,593,460	A	1/1997	Lessard		6,988,939	B2	1/2006	Hofmann et al.	
D377,862	S *	2/1997	Moore	224/220	7,032,482	B1	4/2006	Hoffman	
5,658,258	A	8/1997	Kneer et al.		7,111,528	B1 *	9/2006	Foster	B25B 13/52 81/177.6
5,738,152	A	4/1998	Crittenden		7,168,331	B1	1/2007	Bernard et al.	
5,913,464	A	6/1999	Haeberlein		7,186,909	B2	3/2007	Bee, Jr. et al.	
6,021,783	A	2/2000	Phillips		7,261,349	B1	8/2007	Gregor	
6,029,321	A	2/2000	Fisher		7,536,925	B2	5/2009	Bernard et al.	
6,082,468	A	7/2000	Pusateri et al.		7,997,787	B2	8/2011	Blair	
6,105,470	A	8/2000	Hutchins		8,236,007	B2	8/2012	Persson	
6,131,780	A *	10/2000	Becker	A45F 3/04 224/148.6	8,266,719	B2	9/2012	Duby	
6,155,354	A	12/2000	Pusateri et al.		8,359,949	B2	1/2013	Onello et al.	
6,216,319	B1 *	4/2001	Elkins	A45F 5/00 224/221	8,365,340	B2	2/2013	Barstad et al.	
6,217,762	B1	4/2001	Rooney et al.		8,403,132	B2 *	3/2013	Moreau	A45F 5/021 206/234
					8,561,531	B2	10/2013	Rooth et al.	
					D751,886	S *	3/2016	Wright	D8/382
					2005/0283952	A1	12/2005	Talbot et al.	
					2012/0267403	A1	10/2012	Ward, Jr.	

* cited by examiner

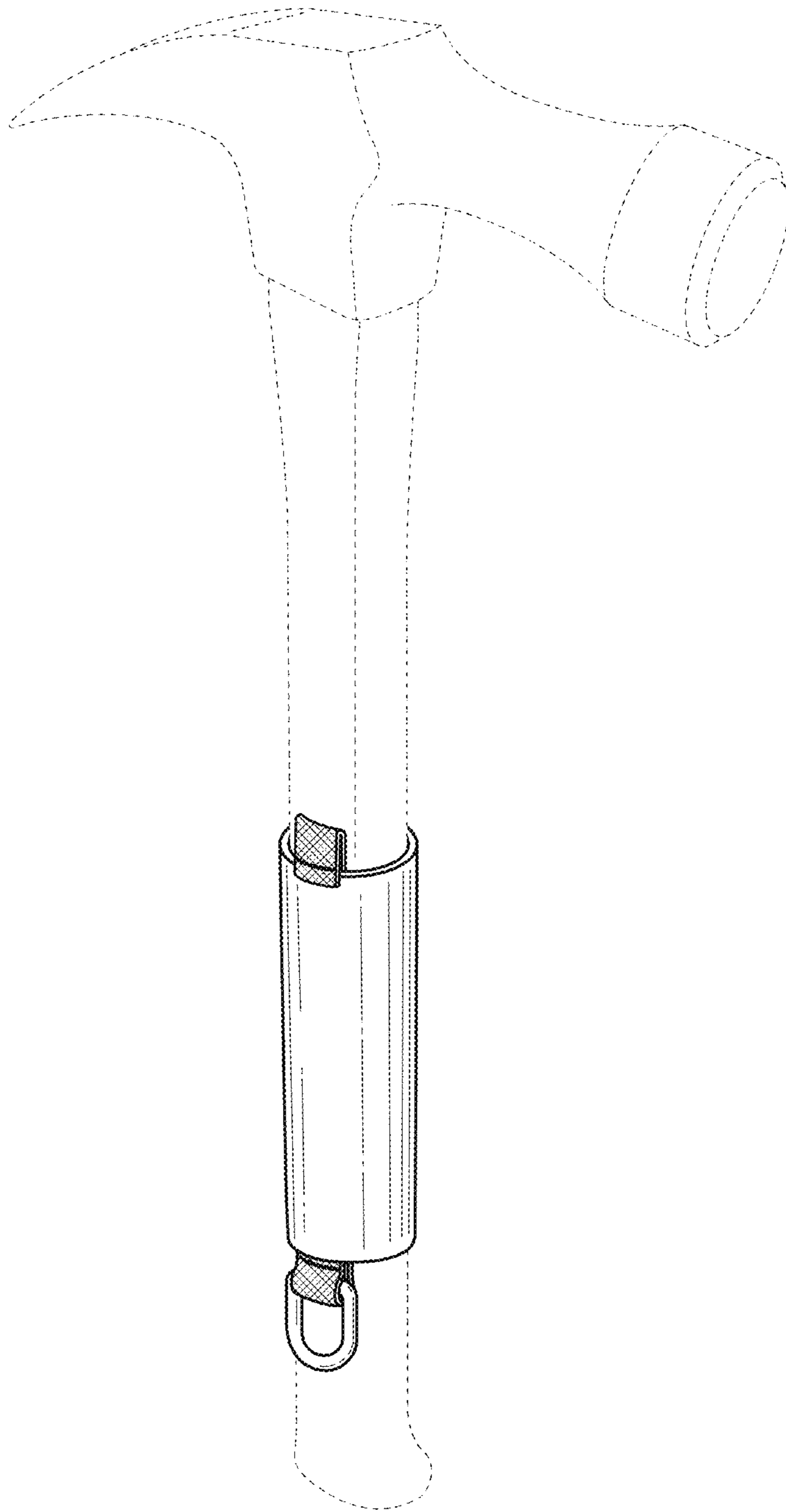


Fig. 1

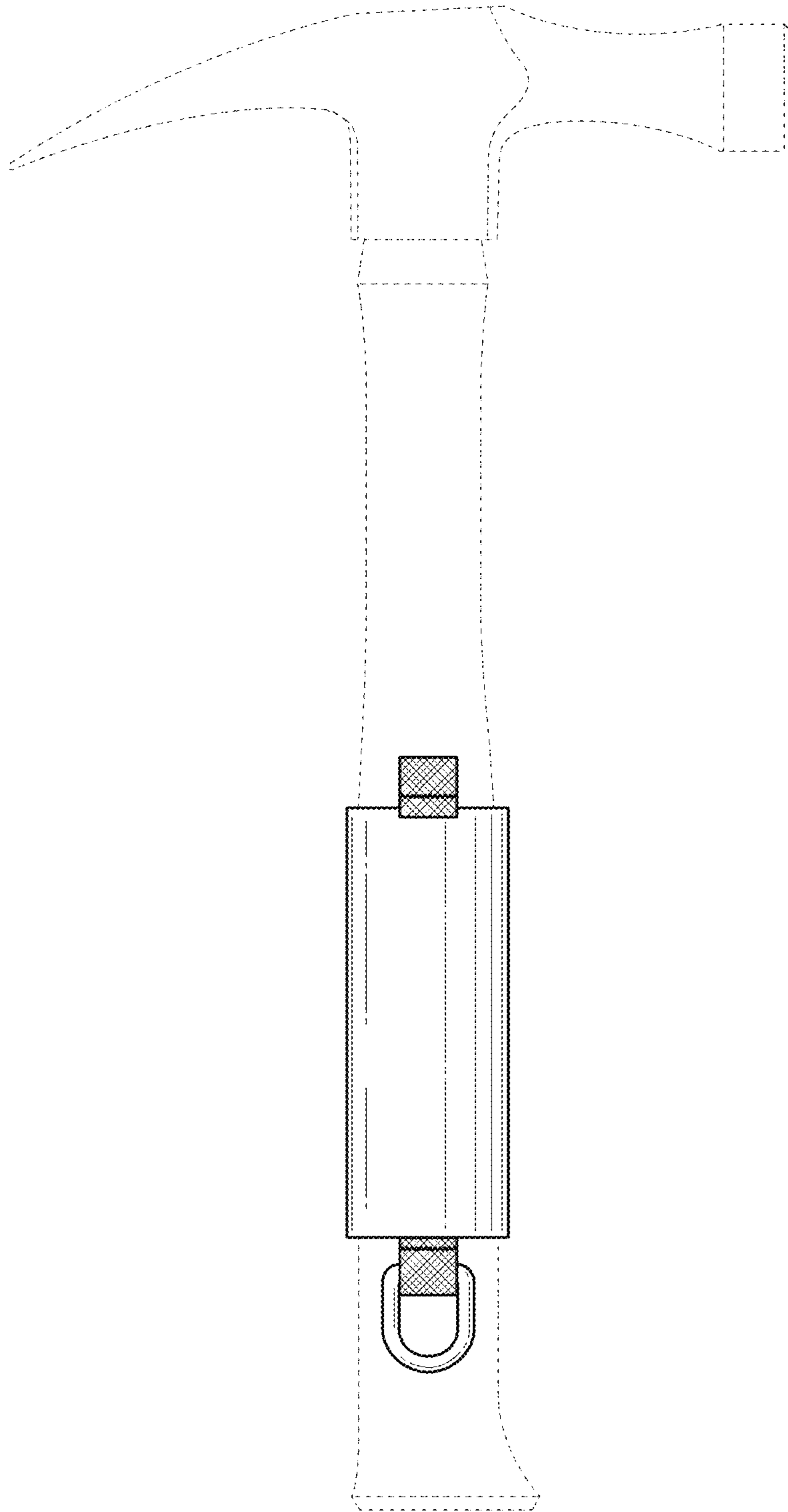


Fig. 2

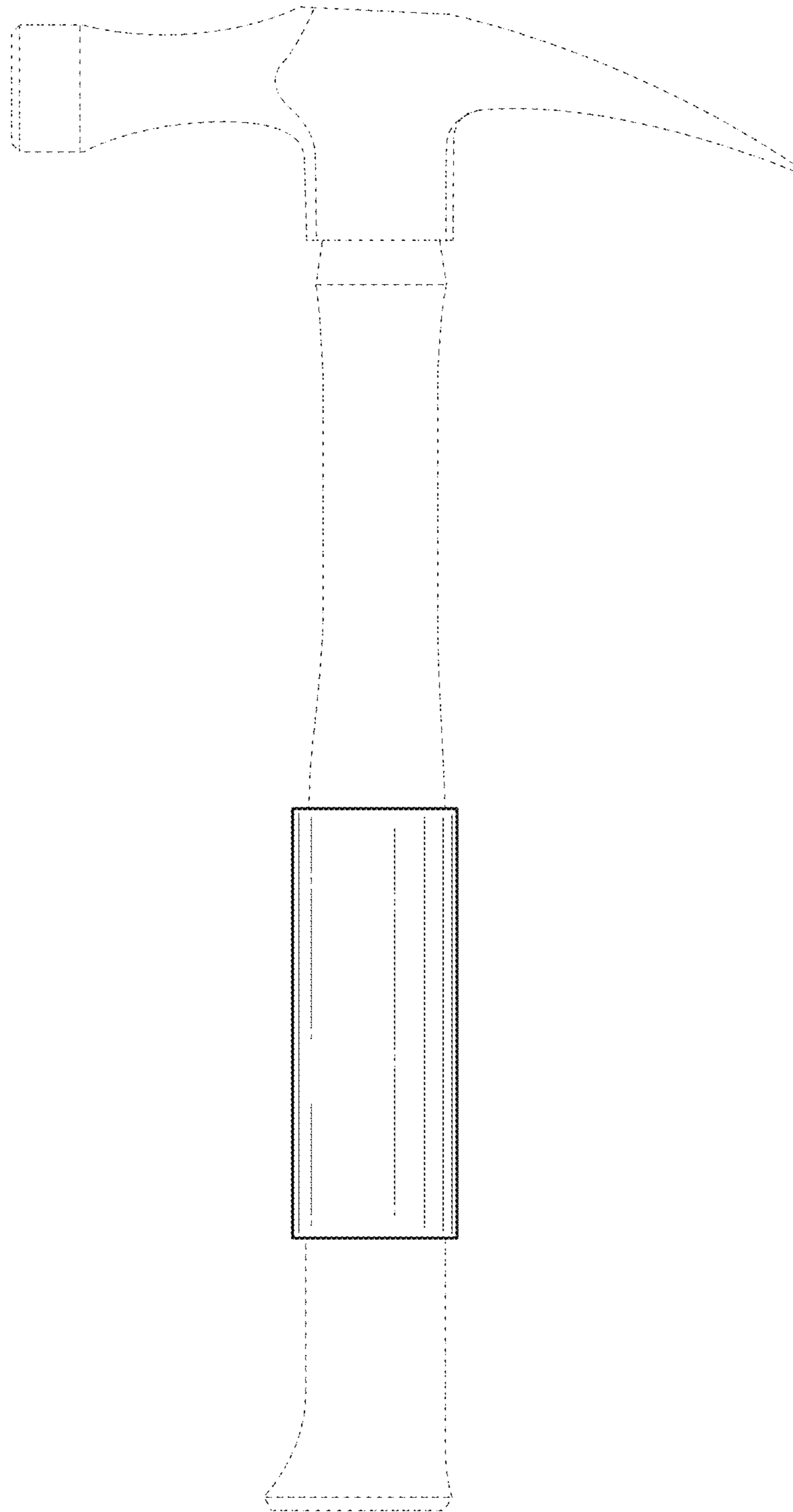


Fig. 3

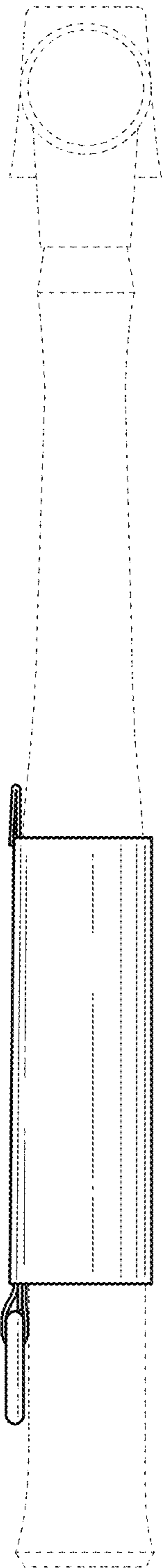


Fig. 4

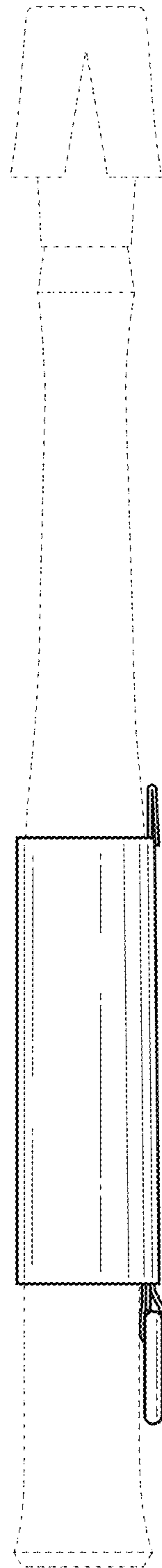


Fig. 5

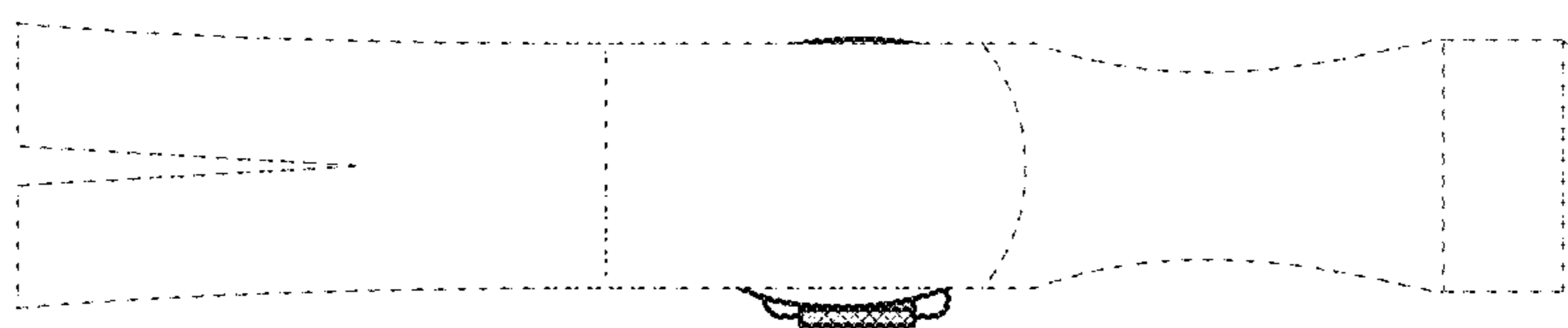


Fig. 6

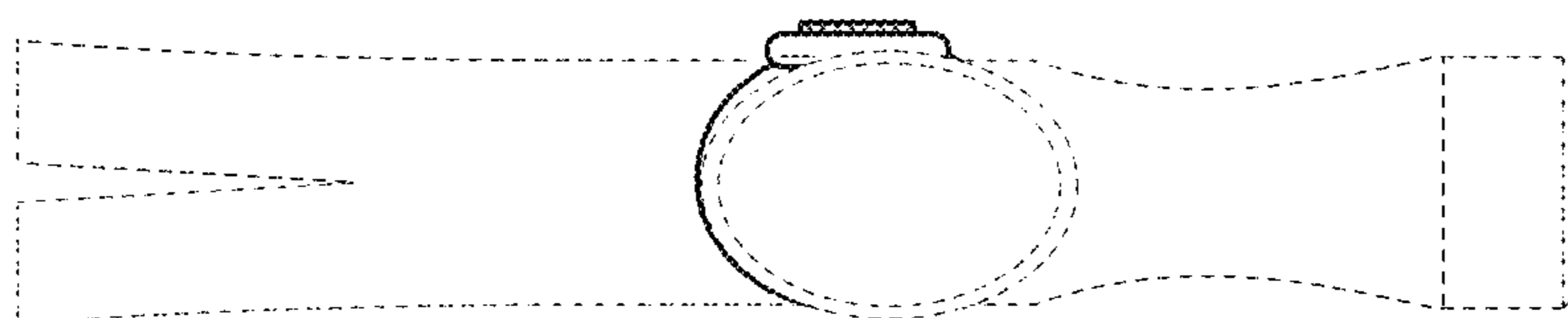


Fig. 7