



US00D789187S

(12) **United States Design Patent**
Vitou et al.

(10) **Patent No.:** **US D789,187 S**
(45) **Date of Patent:** **** Jun. 13, 2017**

(54) **COUPLING**
(71) Applicant: **Baldor Electric Company**, Fort Smith,
AR (US)
(72) Inventors: **Alexander B. Vitou**, Greenville, NC
(US); **Galen E. Burdeshaw**,
Simpsonville, SC (US)
(73) Assignee: **BALDOR ELECTRIC COMPANY**,
Fort Smith, AR (US)
(**) Term: **14 Years**

D327,120 S * 6/1992 Ambrosi D23/262
D331,064 S * 11/1992 Wilson D15/5
D363,683 S * 10/1995 Spurgeon D11/88
D368,304 S * 3/1996 Morrison D23/262
5,518,440 A * 5/1996 Bone B24B 45/006
451/342
D373,069 S * 8/1996 McCarthy D8/354
D387,146 S * 12/1997 Morrison D23/262
D426,146 S * 6/2000 Bruns D8/387
D451,374 S * 12/2001 Shinjo D8/397
D462,256 S * 9/2002 Jaynes D12/160
D628,056 S * 11/2010 Busch D8/385
D629,904 S * 12/2010 Horton D24/155
D639,398 S * 6/2011 Wilhelm D23/262

(Continued)

(21) Appl. No.: **29/510,706**
(22) Filed: **Dec. 2, 2014**
(51) **LOC (10) Cl.** **08-08**
(52) **U.S. Cl.**
USPC **D8/382**
(58) **Field of Classification Search**
USPC D8/382, 387, 388, 394, 396, 397, 399,
D8/349, 354; D15/148, 149
CPC F16D 1/02; F16D 1/00; F16D 1/06; F16D
2001/103; F16D 1/104; F16D 1/108;
F16D 1/116; F16D 1/112; F16D 7/00;
F16D 7/002; F16D 7/005; F16D 7/007;
F16D 3/20
See application file for complete search history.

(56) **References Cited**

U.S. PATENT DOCUMENTS

D157,484 S * 2/1950 Gade 411/437
2,826,631 A * 3/1958 Rohe F16B 33/004
174/138 R
D199,930 S * 12/1964 Murphy D8/397
3,188,872 A * 6/1965 Weiner H03J 1/14
334/85
D245,704 S * 9/1977 Dyrup D23/265
D283,819 S * 5/1986 Brown D15/148
4,623,277 A * 11/1986 Wayne F16D 1/05
403/314

OTHER PUBLICATIONS

Excerpt of Dodge PT Components Engineering Catalog, Apr. 2016
version.

Primary Examiner — Brandon M Rosati

Assistant Examiner — Iesha Price

(74) *Attorney, Agent, or Firm* — Thompson Coburn LLP

(57) **CLAIM**

The ornamental design of a coupling, as shown and
described.

DESCRIPTION

FIG. 1 is a perspective view of a coupling showing our new
design.

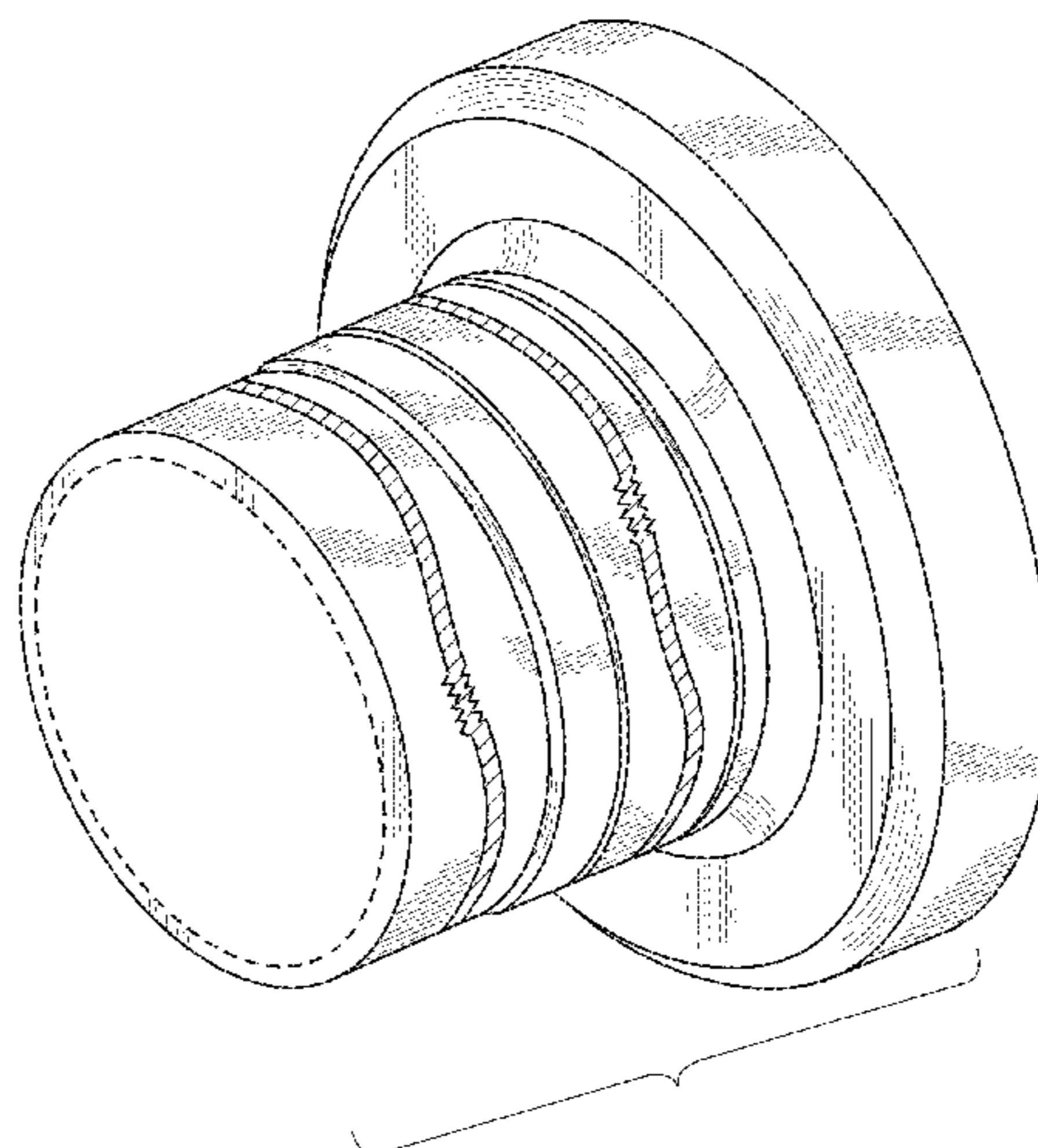
FIG. 2 is a left end view of the coupling of FIG. 1.

FIG. 3 is a right end view of the coupling of FIG. 1; and,
FIG. 4 is a front elevational view of the coupling of FIG. 1,
the top, bottom, and rear views being identical to the view
of FIG. 4.

All portions of the coupling located between the break lines
form no part of the claimed design.

The broken lines in the drawings illustrate portions of the
coupling and form no part of the claimed design.

1 Claim, 4 Drawing Sheets



(56)

References Cited

U.S. PATENT DOCUMENTS

D700,682 S * 3/2014 Bayyouk D23/233
D712,242 S * 9/2014 Deneve D8/391
D714,348 S * 9/2014 Swanson B65D 85/00
D15/5
D762,825 S * 8/2016 Walker D23/259
2005/0089384 A1 * 4/2005 Pratt F16B 39/225
411/82
2008/0153608 A1 * 6/2008 Patrascu F16J 3/042
464/175
2009/0028636 A1 * 1/2009 Kirschey F16D 1/076
403/345
2015/0217795 A1 * 8/2015 Barnes F16D 1/06
403/334
2016/0238081 A1 * 8/2016 Knuth A01B 71/06

* cited by examiner

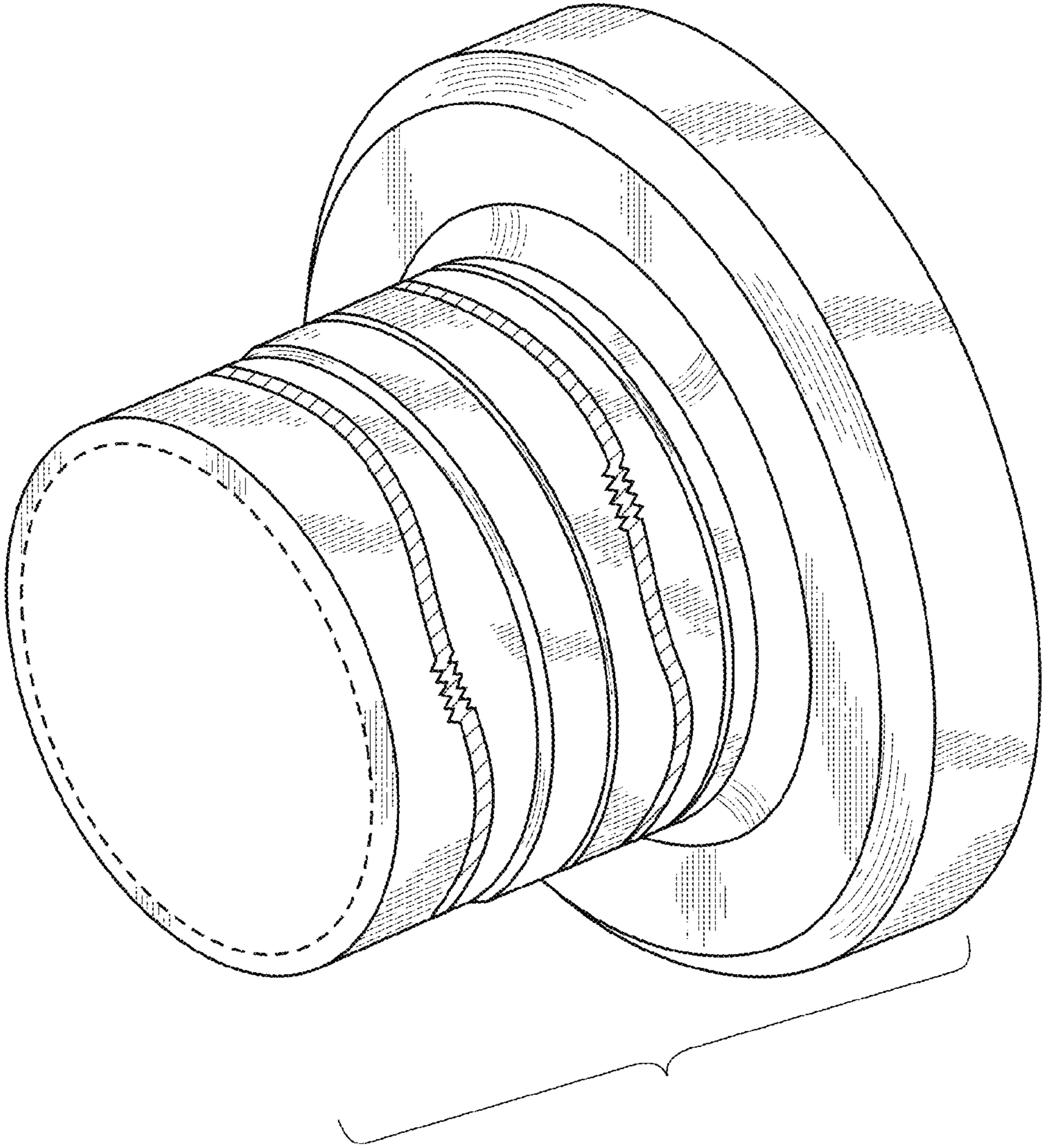


FIG. 1

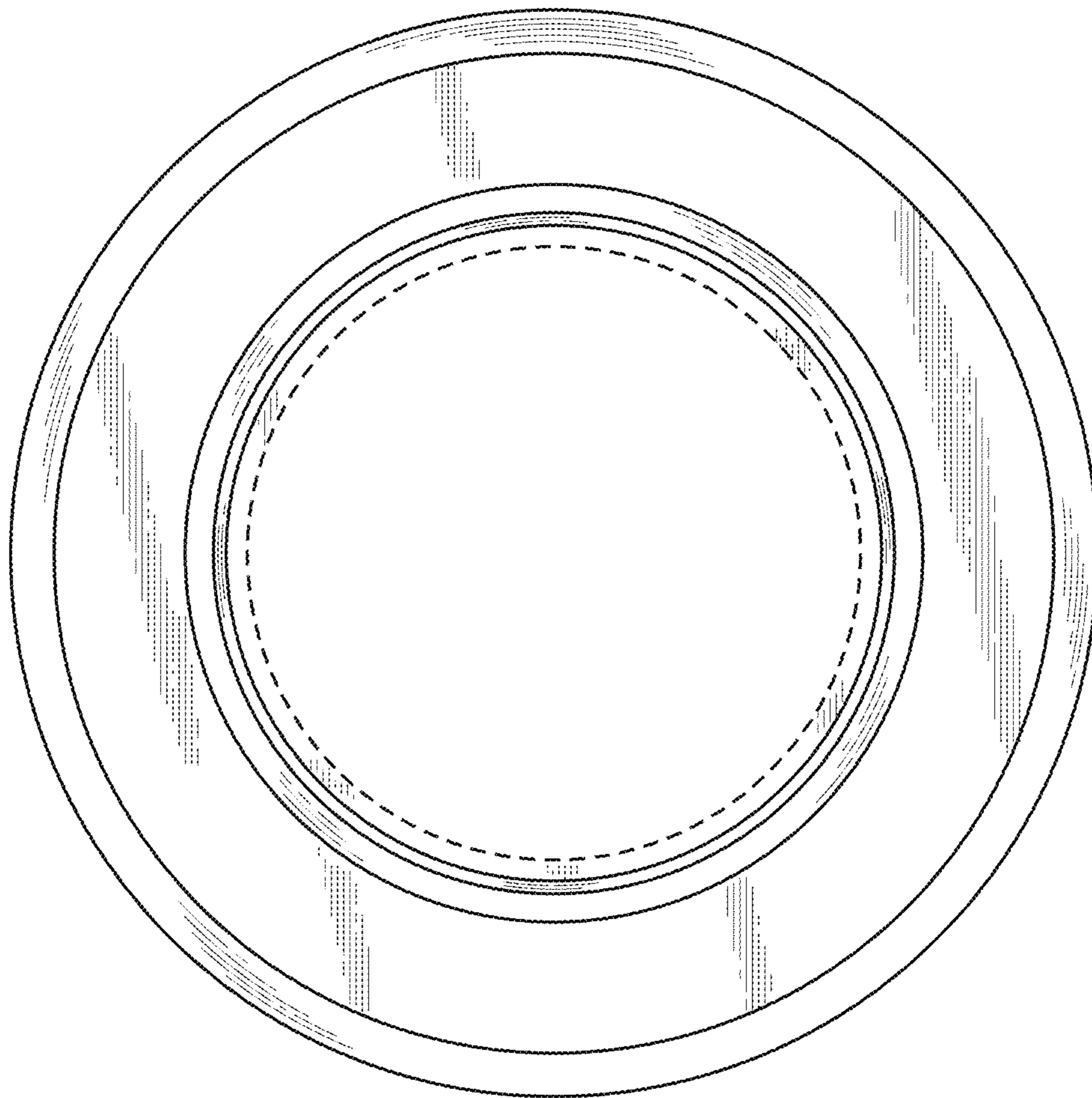


FIG. 2

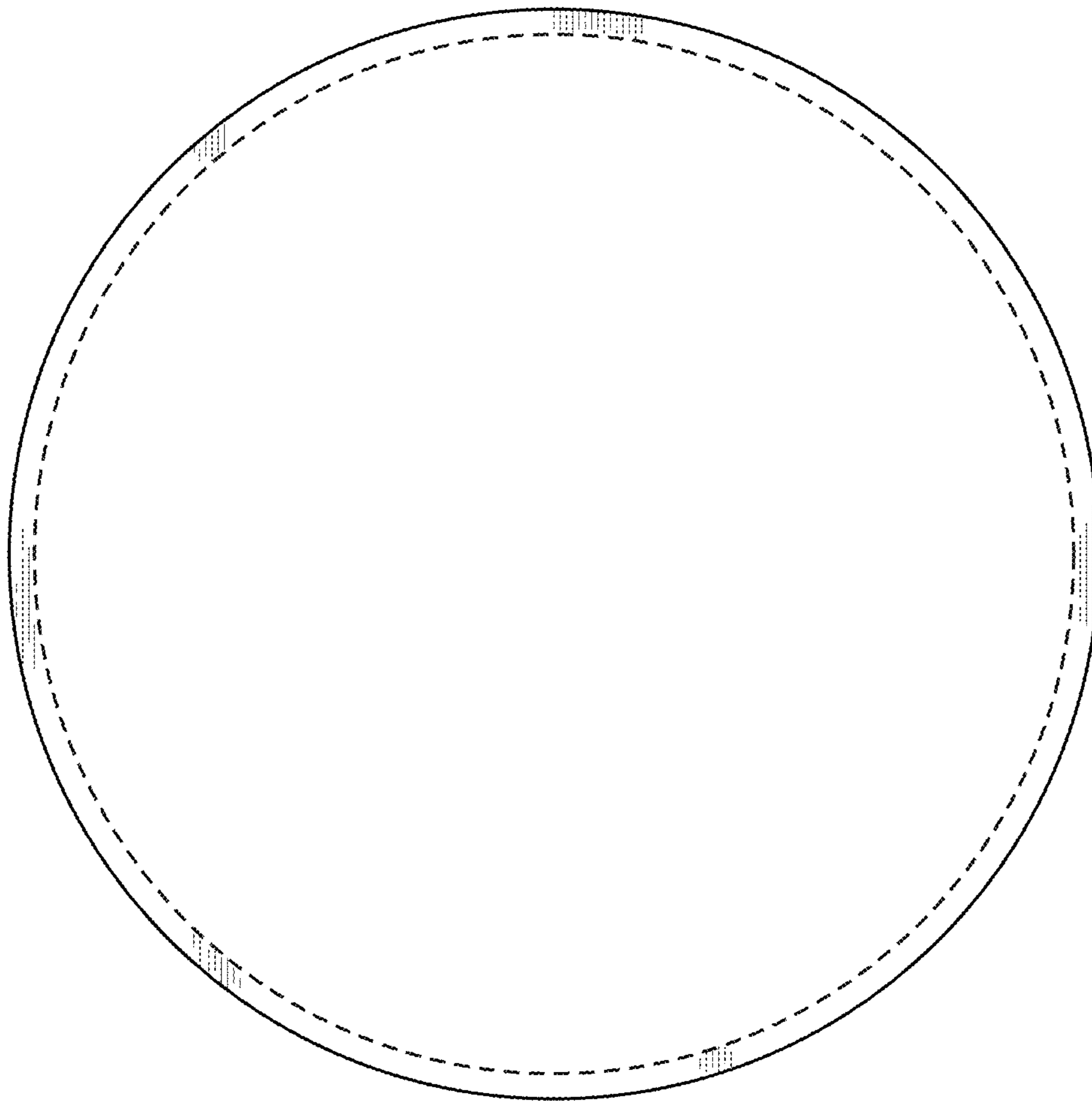


FIG. 3

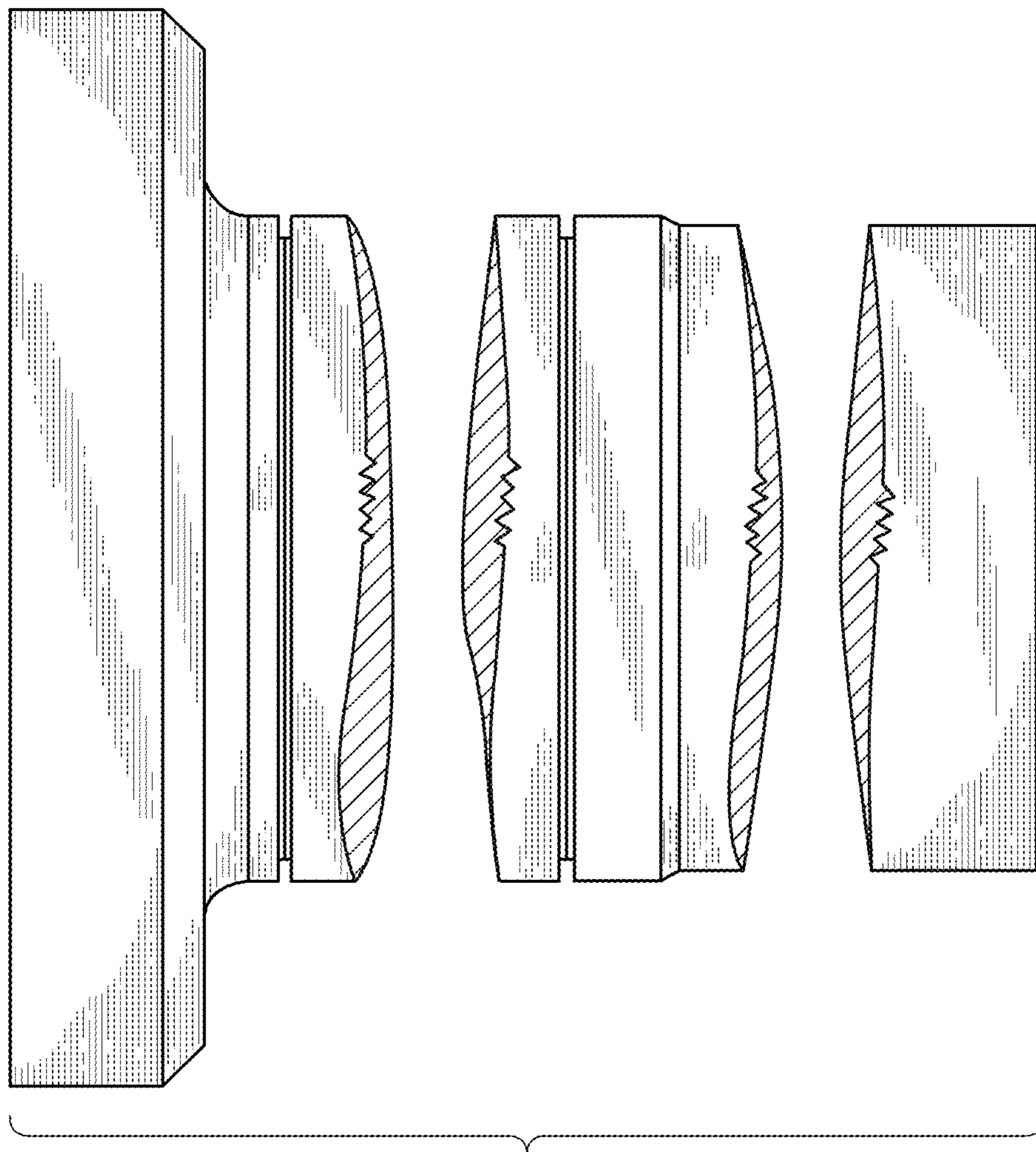


FIG. 4

UNITED STATES PATENT AND TRADEMARK OFFICE
CERTIFICATE OF CORRECTION

PATENT NO. : D789,187 S
APPLICATION NO. : 29/510706
DATED : June 13, 2017
INVENTOR(S) : Alexander B. Vitou et al.

Page 1 of 1

It is certified that error appears in the above-identified patent and that said Letters Patent is hereby corrected as shown below:

On the Title Page

Item (72) is corrected to read:

-- (72) Inventors: Alexander B. Vitou, Greenville, SC --

Signed and Sealed this
First Day of August, 2017



Joseph Matal
*Performing the Functions and Duties of the
Under Secretary of Commerce for Intellectual Property and
Director of the United States Patent and Trademark Office*