



US00D789185S

(12) **United States Design Patent**
Wall

(10) **Patent No.:** **US D789,185 S**

(45) **Date of Patent:** **** Jun. 13, 2017**

(54) **FENCE POST INSULATOR FOR PLASTIC COATED ELECTRICAL WIRE**

(71) Applicant: **John Wall, Inc.**, Carmichaels, PA (US)

(72) Inventor: **John R. Wall**, Carmichaels, PA (US)

(73) Assignee: **John Wall, Inc.**, Carmichaels, PA (US)

(**) Term: **15 Years**

(21) Appl. No.: **29/537,345**

(22) Filed: **Aug. 25, 2015**

(51) **LOC (10) Cl.** **08-05**

(52) **U.S. Cl.**
USPC **D8/364**; D13/129; D13/131; D13/132

(58) **Field of Classification Search**
USPC D8/364, 356, 394, 395, 396; D13/131,
D13/132, 129, 130

CPC H01B 17/14; H01B 17/145; H01B 17/20;
H01B 17/22; H01B 17/24; H01B 17/301

See application file for complete search history.

(56) **References Cited**

U.S. PATENT DOCUMENTS

D46,243 S *	8/1914	Bundy	D13/131
D47,208 S *	4/1915	Wilson	D13/130
D114,352 S *	4/1939	Wilson	174/188
D217,224 S *	4/1970	Matsui	D13/132
3,572,639 A	3/1971	Shettel		
3,654,383 A	4/1972	Wilson		
3,752,902 A	8/1973	Wilson		
D243,926 S *	4/1977	Dimiceli	D8/364
4,077,611 A	3/1978	Wilson		
4,771,137 A	9/1988	Thompson		
D300,423 S *	3/1989	Reeves	174/163 F
4,845,317 A	7/1989	Wilson, Jr.		
4,905,968 A	3/1990	Eby et al.		
4,982,932 A *	1/1991	Baker	E04H 17/12
				174/154
D317,859 S *	7/1991	Kobayashi	D13/154
5,063,274 A	11/1991	Johnson		
5,975,501 A	11/1999	Berg et al.		
6,489,569 B1	12/2002	Thomson		

D474,152 S *	5/2003	Burdick	D13/132
6,583,363 B1	6/2003	Wilson, Jr.		
6,872,892 B1	3/2005	Burdick		
D535,616 S *	1/2007	Halderman	D13/132
D566,527 S *	4/2008	Cavarsan	D8/356

(Continued)

OTHER PUBLICATIONS

Kencove Farm Fence Supplies. <URL: http://www.kencove.com/fence/wood+post+insulators_detail_I8PW.php?utm_source=shopping&utm_medium=PPC&utm_campaign=GoogleProducts&gclid=Cj0KEQiA0L_FBRDMmaCTw5nxm-ABEiQABn-VqYHPC6rmWHSjMdfY4hYO5_wBpsCx6pFABEwoTC9v4VUaAvHD8P8HAQ>. May 23, 2015. Pin-Lock Insulator.*

(Continued)

Primary Examiner — Bridget L Eland

Assistant Examiner — Lauren McVey

(74) *Attorney, Agent, or Firm* — The Webb Law Firm

(57) **CLAIM**

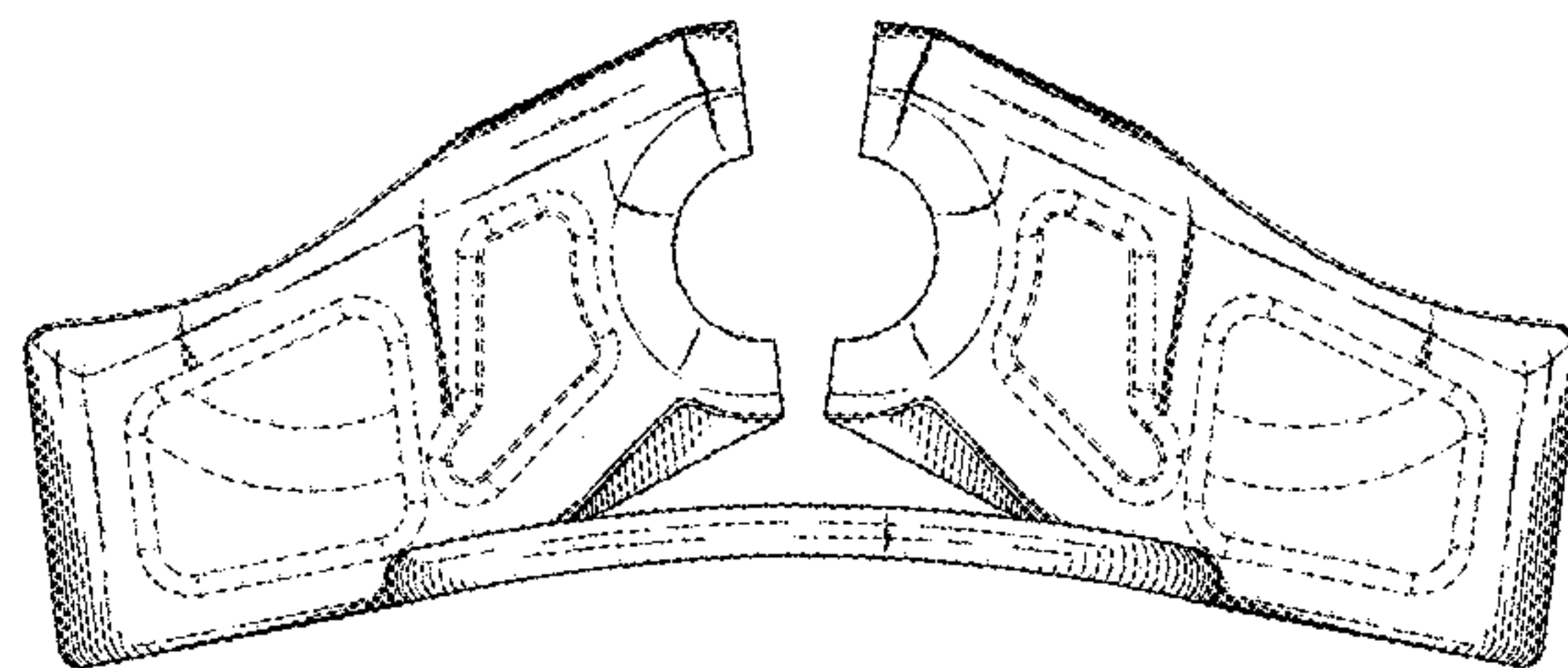
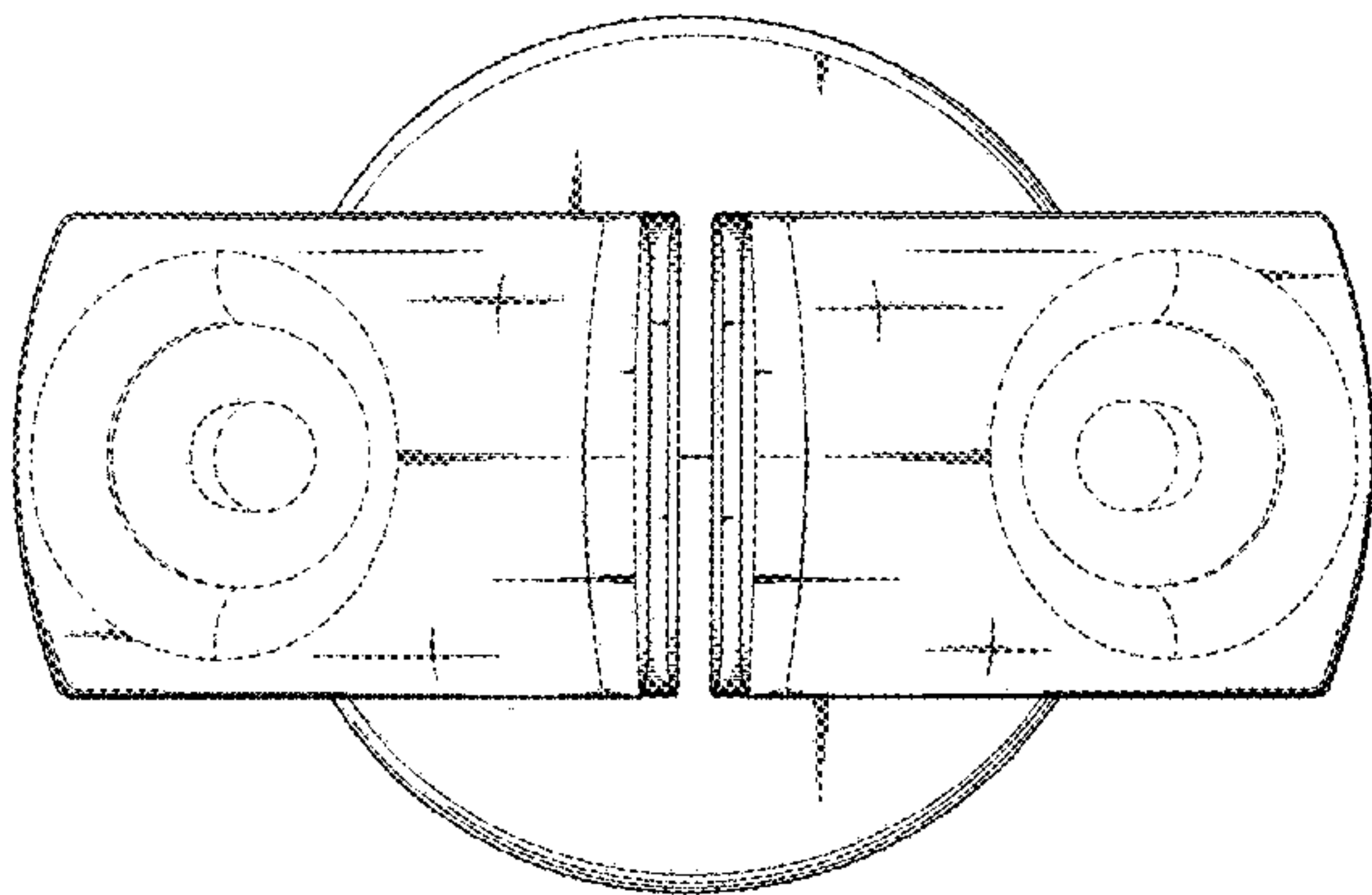
The ornamental design for a fence post insulator for plastic coated electrical wire, as shown and described.

DESCRIPTION

FIG. 1 is a front, top, left side perspective view of a fence post insulator for plastic coated electrical wire, showing my new design in a state of use;
FIG. 2 is a rear, bottom, right side perspective view thereof;
FIG. 3 is a front view thereof;
FIG. 4 is a left side view thereof;
FIG. 5 is a left side view thereof, shown in a state of use;
FIG. 6 is a rear view thereof; and,
FIG. 7 is a top view thereof.

The broken lines are directed to environment and are for illustrative purposes only; the broken lines form no part of the claimed design.

1 Claim, 5 Drawing Sheets



(56)

References Cited

U.S. PATENT DOCUMENTS

D624,299 S * 9/2010 Lindow D2/978
D768,097 S * 10/2016 Powers D13/199

OTHER PUBLICATIONS

Rural King. <URL: <http://www.ruralking.com/dare-pin-lock-t-post-insulator-2550-25.html>>. Visited Feb. 24, 2017. Pin-Lock Insulator.*

* cited by examiner

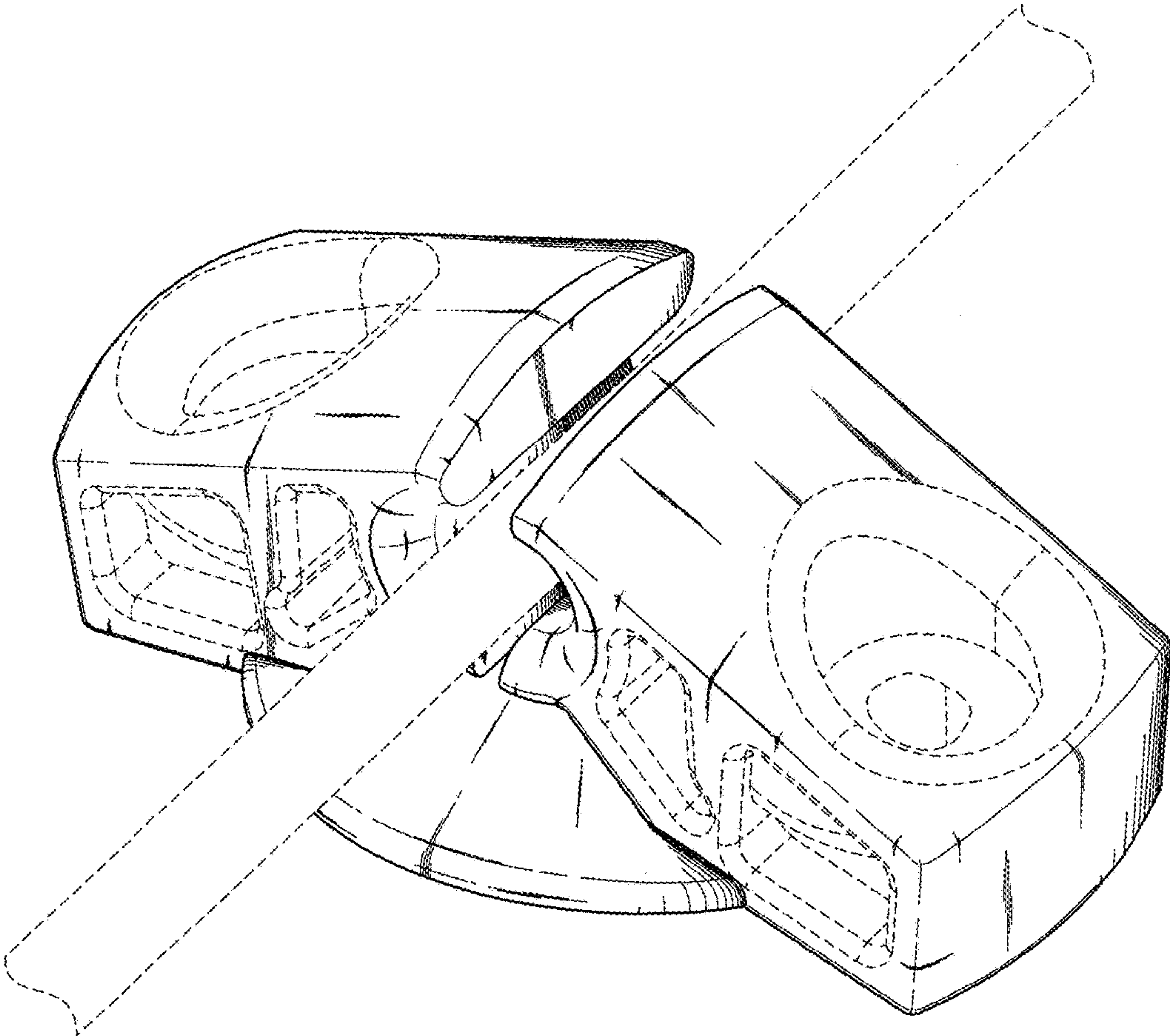


FIG. 1

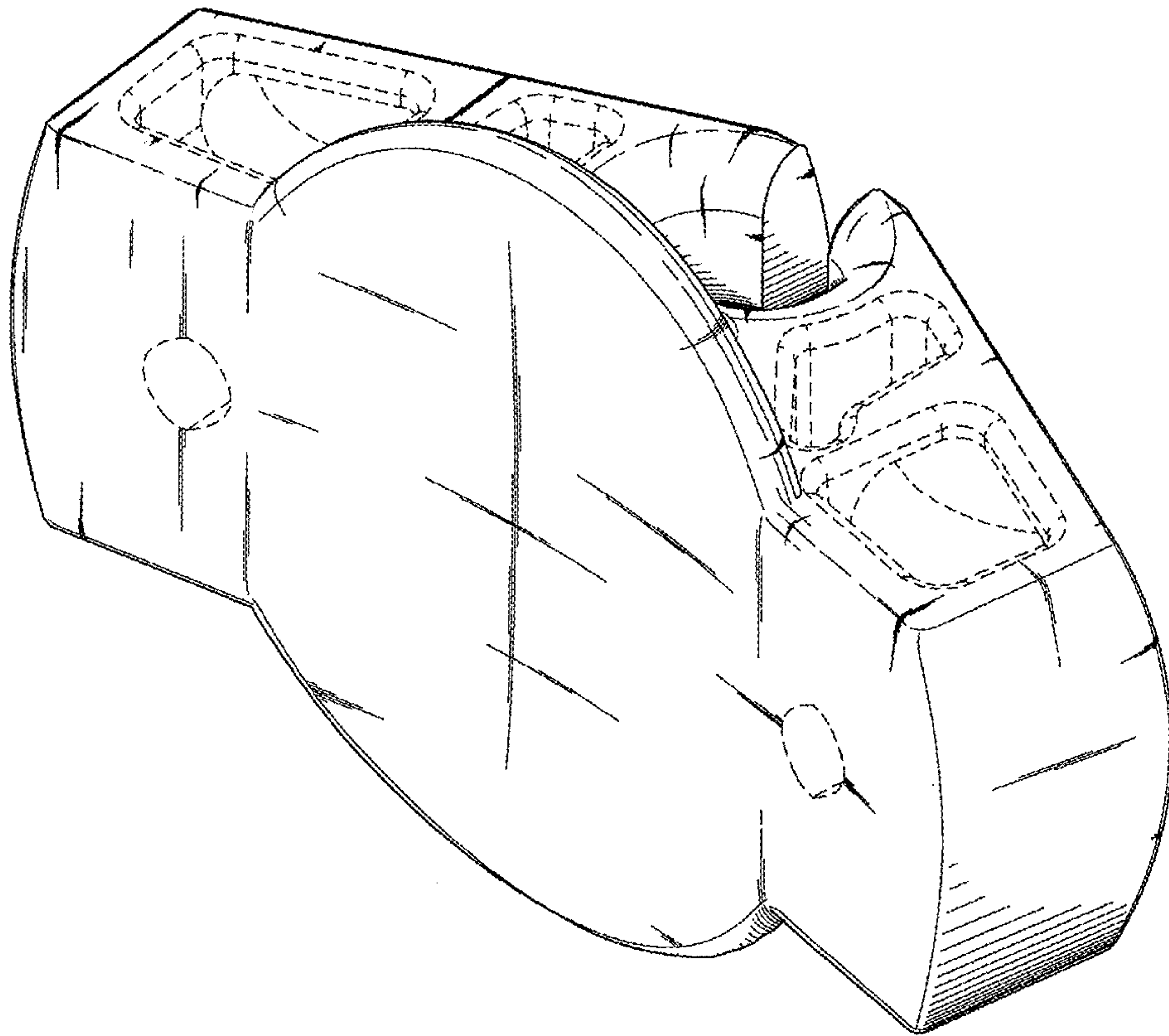


FIG. 2

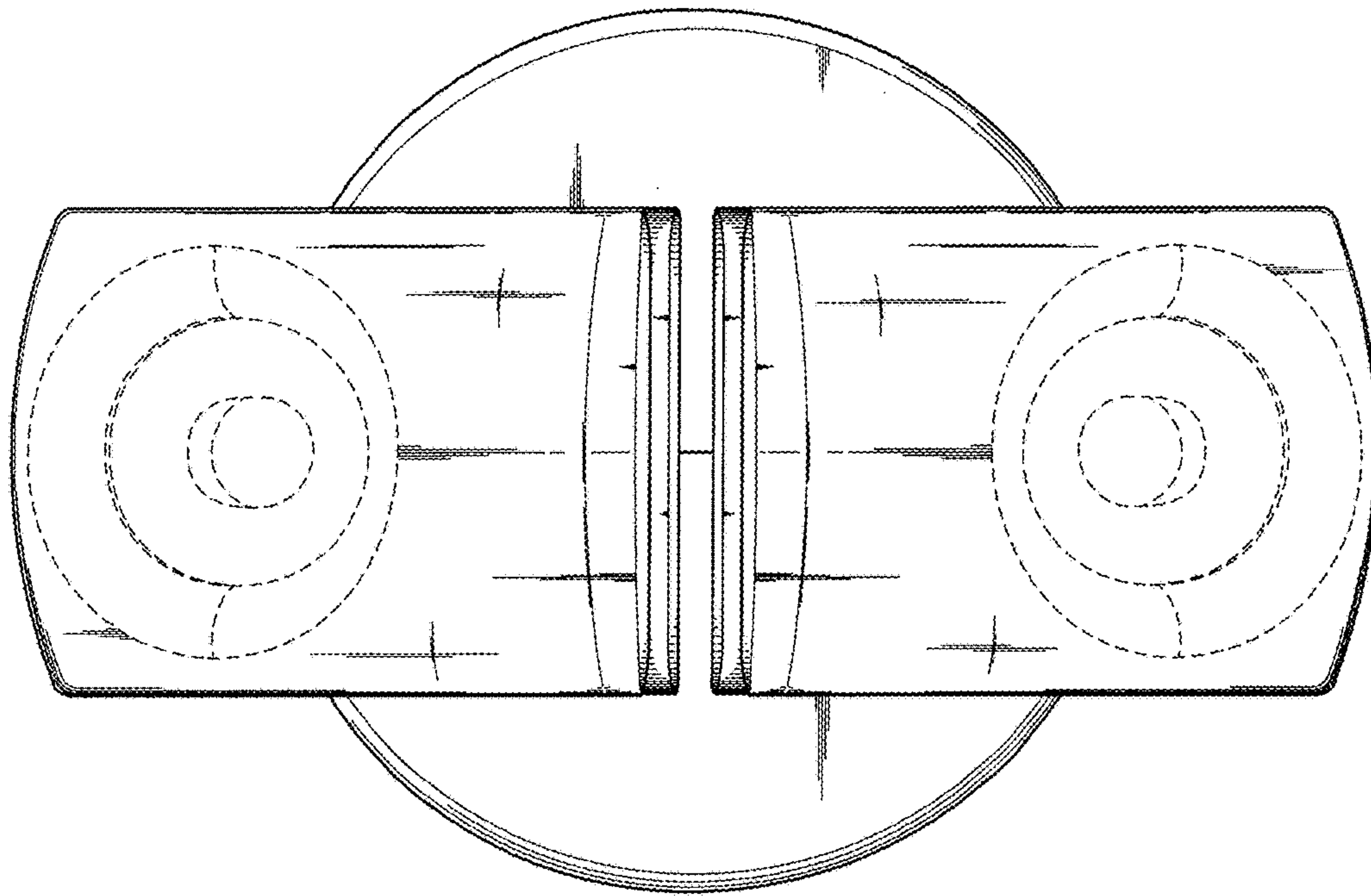


FIG. 3

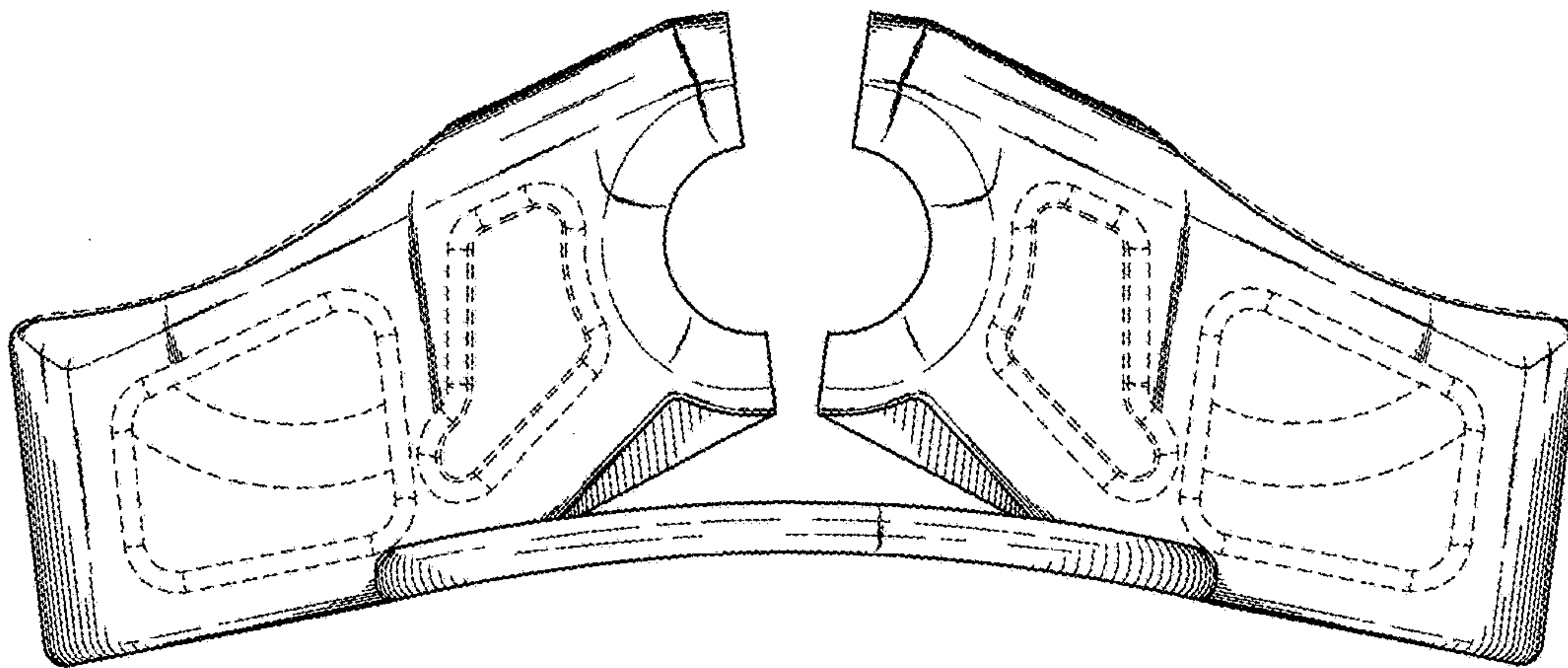


FIG. 4

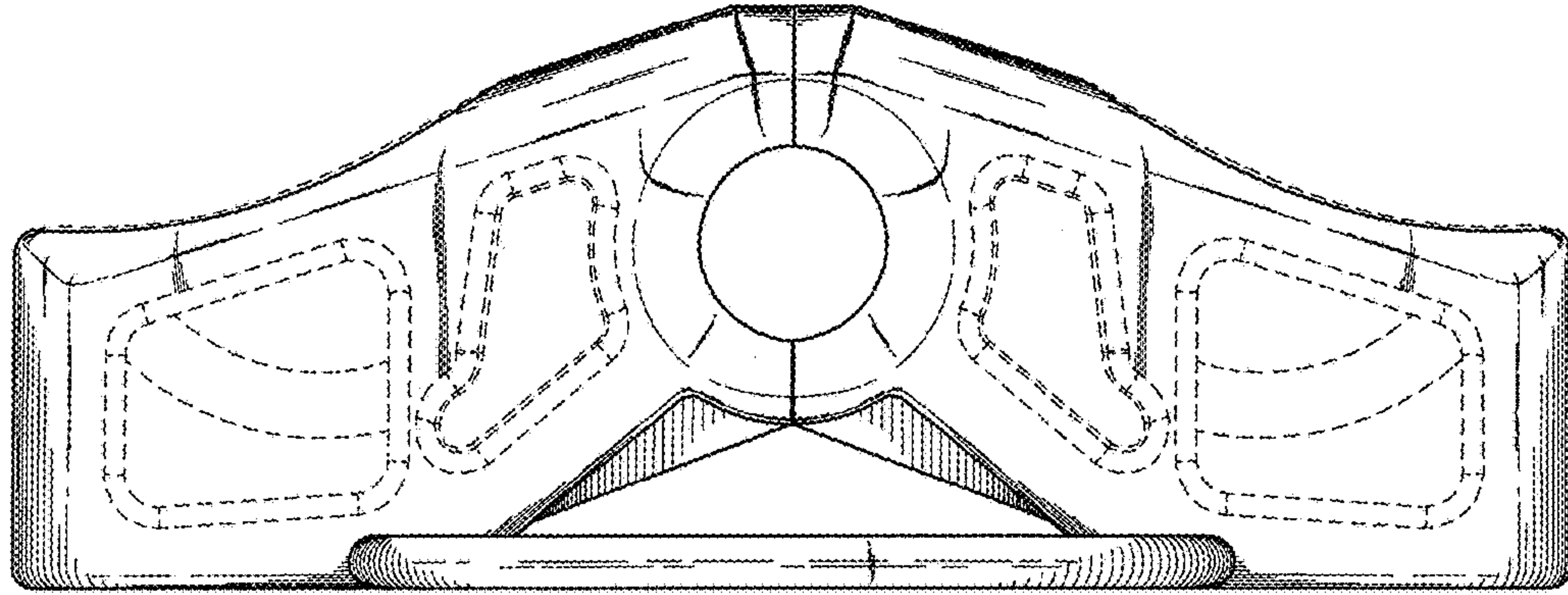


FIG. 5

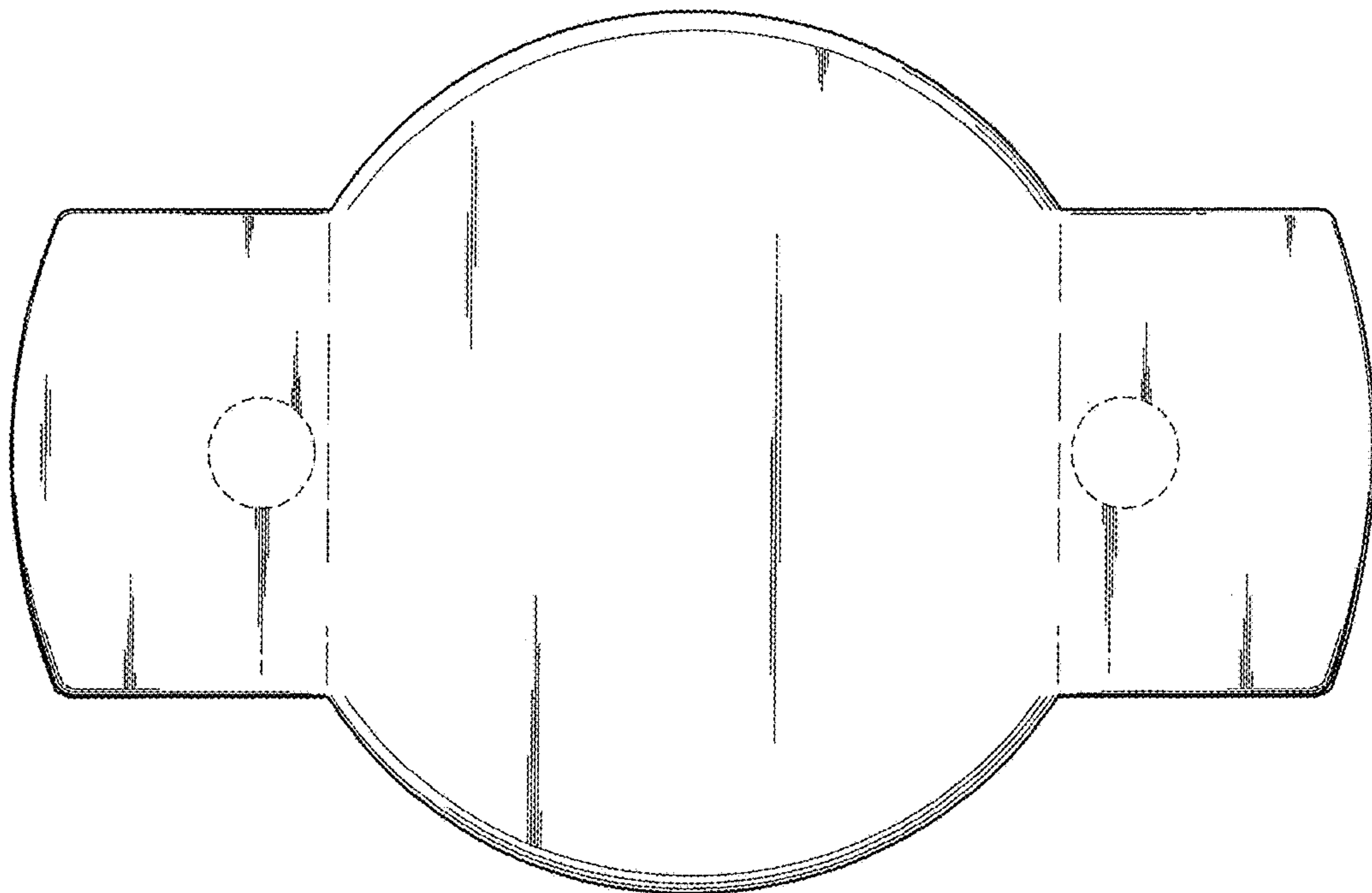


FIG. 6

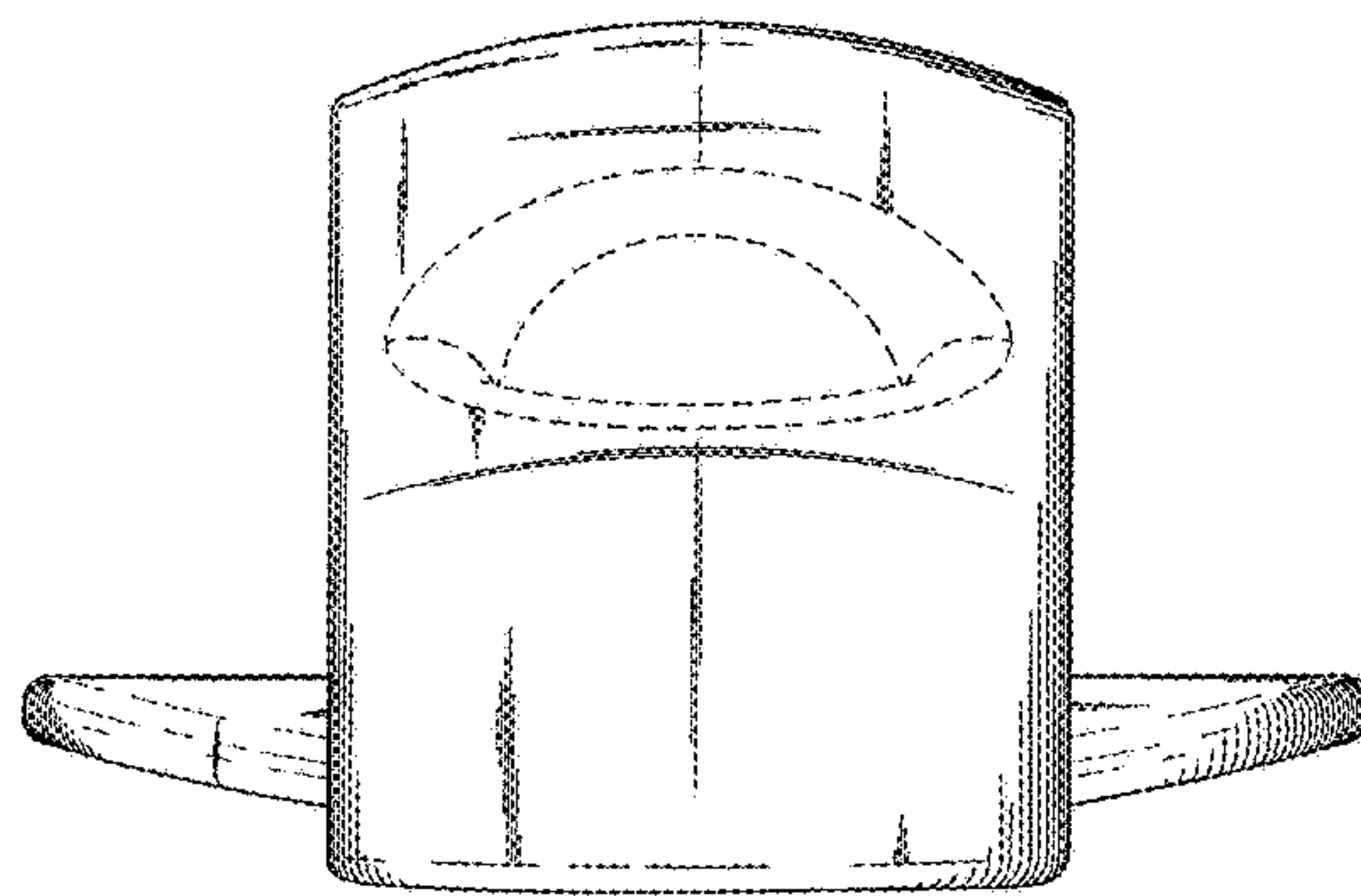


FIG. 7