



US00D789184S

(12) **United States Design Patent**  
**Stanley**

(10) **Patent No.:** **US D789,184 S**

(45) **Date of Patent:** **\*\* Jun. 13, 2017**

(54) **HANGER**

(71) Applicant: **IP Holdings, LLC**, Vancouver, WA (US)

(72) Inventor: **John Stanley**, Vancouver, WA (US)

(73) Assignee: **IP Holdings, LLC**, Vancouver, WA (US)

(\*\*) Term: **14 Years**

(21) Appl. No.: **29/509,534**

(22) Filed: **Nov. 18, 2014**

**Related U.S. Application Data**

(63) Continuation of application No. 29/457,675, filed on Jun. 12, 2013, now Pat. No. Des. 717,636.

(51) **LOC (10) Cl.** ..... **08-05**

(52) **U.S. Cl.**  
USPC ..... **D8/363**

(58) **Field of Classification Search**

USPC ..... D8/349, 354, 363, 366, 373, 374, 380,  
D8/381; D6/512, 513, 553, 567, 572;  
D26/72, 113, 138, 142, 155, 118  
CPC ..... F21V 21/02; F21V 21/34; F21V 21/10;  
F21V 21/08; F21V 21/00; F21S 8/061;  
F21S 8/04; F21S 8/043  
See application file for complete search history.

(56) **References Cited**

**U.S. PATENT DOCUMENTS**

D244,748 S \* 6/1977 Canterbury ..... D8/354  
D263,788 S \* 4/1982 McKinnon ..... D8/394  
D285,647 S \* 9/1986 Sachs ..... 174/41  
5,034,869 A \* 7/1991 Choi ..... F21V 21/02  
248/343

D333,421 S 2/1993 Patti  
D337,850 S 7/1993 Berends  
D399,486 S \* 10/1998 Deans ..... D13/120  
D404,991 S \* 2/1999 Yamada ..... D8/373  
D406,918 S 3/1999 Yan  
6,623,138 B1 \* 9/2003 Hsu ..... F21V 21/03  
362/147  
D490,559 S \* 5/2004 Small ..... D26/138  
6,824,298 B2 11/2004 Childs  
6,881,900 B2 4/2005 Halbert  
D507,959 S \* 8/2005 Mottini ..... D8/354  
D536,957 S \* 2/2007 Reiff ..... D8/394  
D543,652 S 5/2007 Hargreaves  
D545,484 S 6/2007 Hargreaves  
D561,563 S \* 2/2008 Hoffner ..... D8/354

(Continued)

*Primary Examiner* — Brandon M Rosati

*Assistant Examiner* — Ieisha Price

(74) *Attorney, Agent, or Firm* — J. Douglas Wells

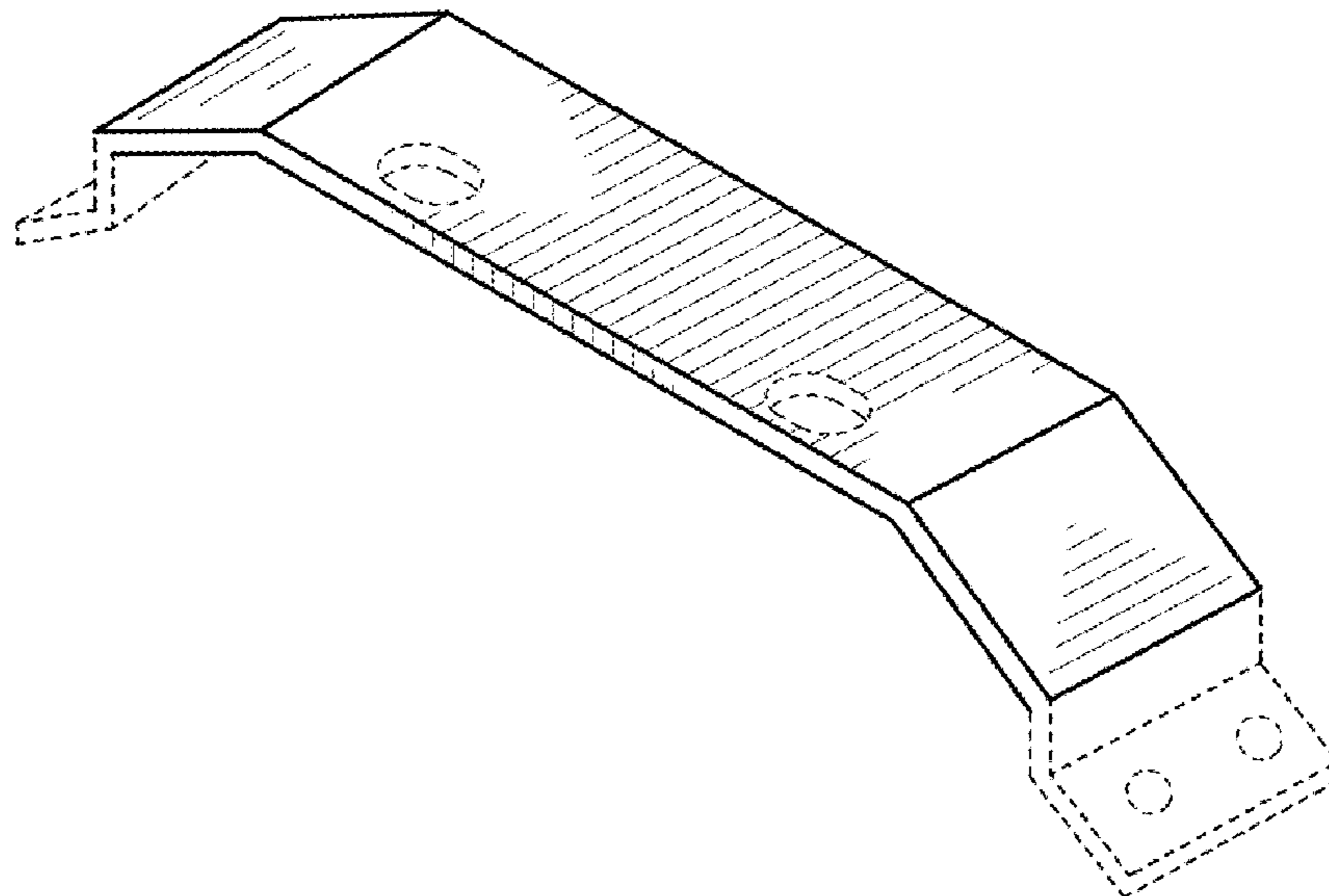
(57) **CLAIM**

The ornamental design for a hanger, as shown and described.

**DESCRIPTION**

FIG. 1 is a perspective view of a hanger, as viewed from above, showing my new design;  
FIG. 2 is an environmental perspective view of the hanger shown in FIG. 1.  
FIG. 3 is a front elevation view of the hanger shown in FIG. 1;  
FIG. 4 is a rear elevation view of the hanger shown in FIG. 1;  
FIG. 5 is a left side view of the hanger shown in FIG. 1, with a right side view being a mirror image of the left side view;  
FIG. 6 is a top plan view of the hanger shown in FIG. 1; and,  
FIG. 7 is a bottom plan view of the hanger shown in FIG. 1.  
The broken lines in the drawings illustrate portions of the hanger and form no part of the claimed design.

**1 Claim, 6 Drawing Sheets**



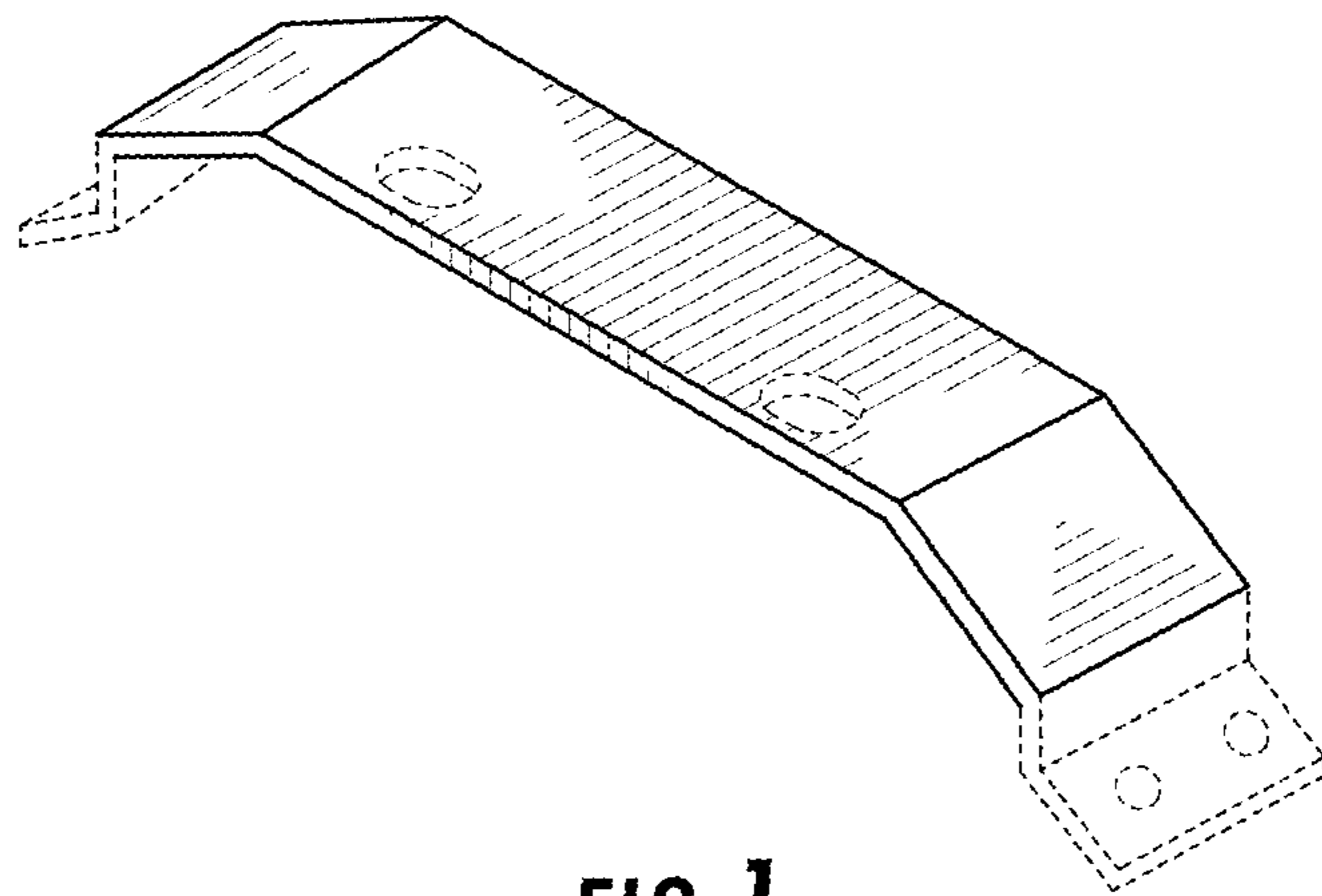
(56)

**References Cited**

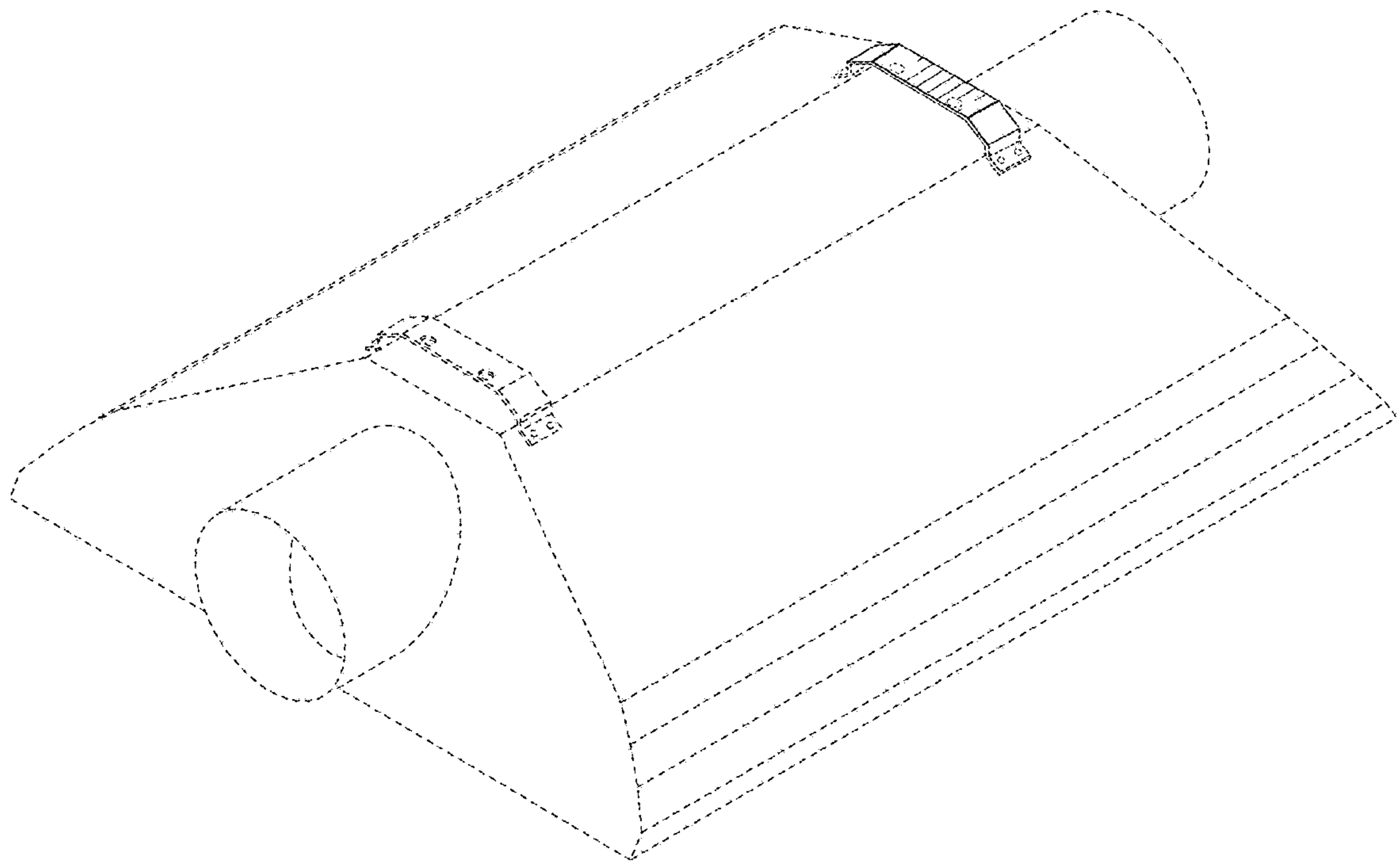
U.S. PATENT DOCUMENTS

D586,204 S *	2/2009	Robbins, III .....	D8/380
D586,205 S *	2/2009	Robbins, III .....	D8/380
D586,206 S *	2/2009	Robbins, III .....	D8/380
7,547,121 B1 *	6/2009	Rashidi .....	F21S 8/02 362/147
D634,060 S	3/2011	Wardenburg	
D634,468 S	3/2011	Hargreaves	
D634,469 S	3/2011	Hargreaves	
D684,034 S	6/2013	Vaughan	
D717,636 S *	11/2014	Stanley .....	D8/363
D736,450 S *	8/2015	Reynolds .....	D26/118
2008/0148586 A1	6/2008	Morin	
2008/0205071 A1 *	8/2008	Townsley .....	F21V 29/02 362/373

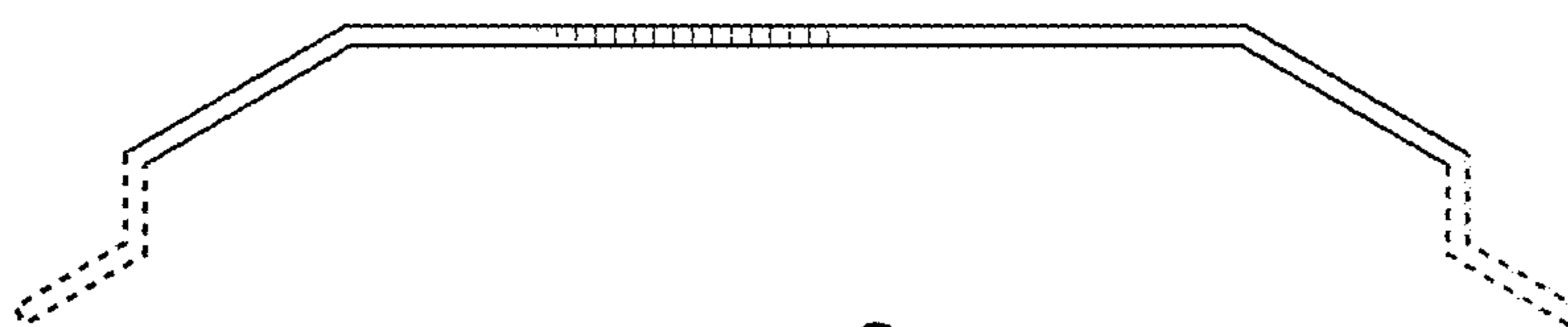
\* cited by examiner



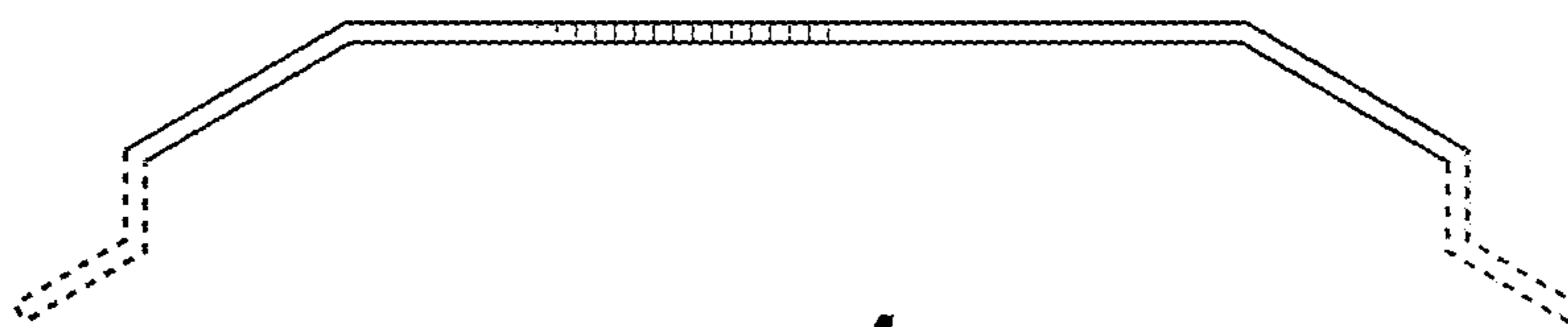
**FIG. 1**



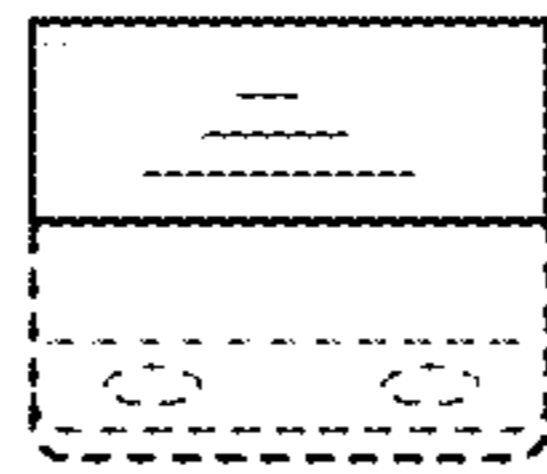
**FIG. 2**



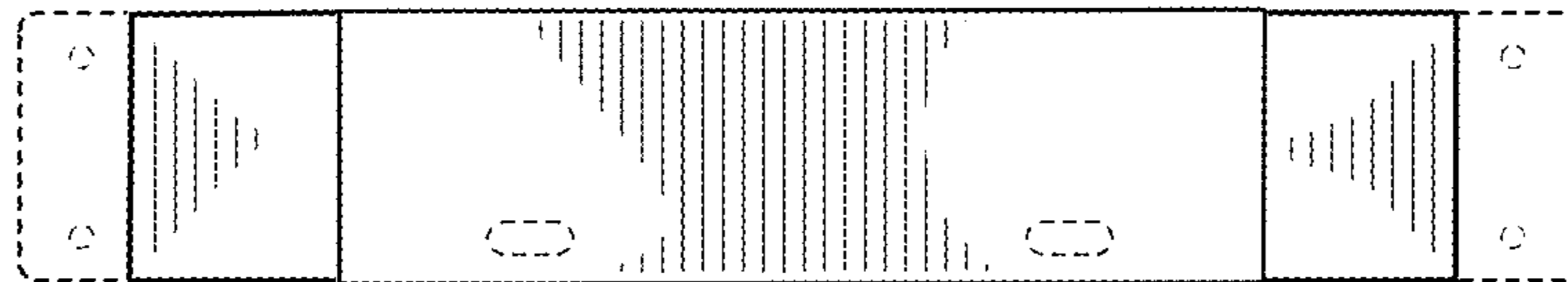
**FIG. 3**



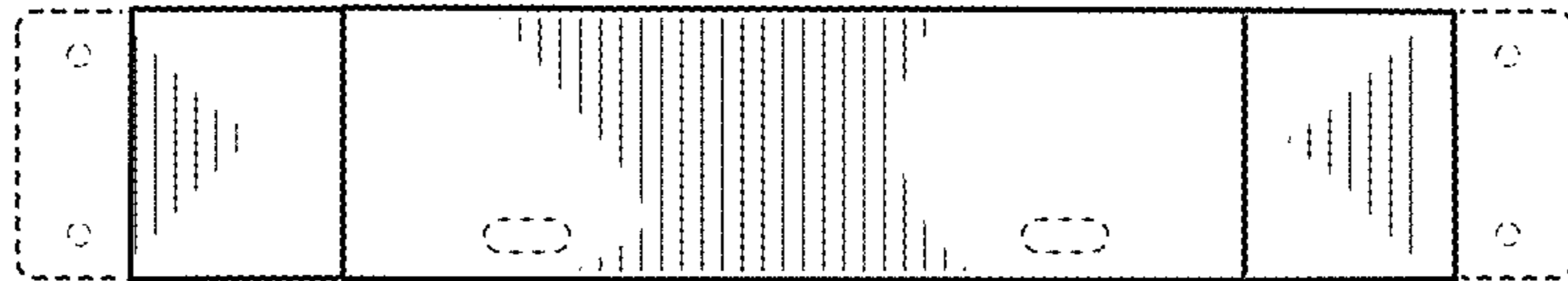
**FIG. 4**



**FIG. 5**



**FIG. 6**



**FIG. 7**