



US00D789182S

(12) **United States Design Patent**
Rathman

(10) **Patent No.:** **US D789,182 S**

(45) **Date of Patent:** **** Jun. 13, 2017**

- (54) **ADJUSTABLE BRACKET**
- (71) Applicant: **WINSTON PRODUCTS LLC**,
Cleveland, OH (US)
- (72) Inventor: **David Edward Birn Rathman**,
Cleveland, OH (US)
- (73) Assignee: **Winston Products LLC**, Cleveland,
OH (US)
- (**) Term: **15 Years**
- (21) Appl. No.: **29/543,648**
- (22) Filed: **Oct. 27, 2015**
- (51) **LOC (10) Cl.** **08-05**
- (52) **U.S. Cl.**
USPC **D8/355**
- (58) **Field of Classification Search**
USPC D8/355, 16, 19, 350, 353, 354, 364, 366,
D8/499, 380, 381; D13/119; D14/452
CPC B60K 15/07; B60R 9/048; A47B 96/07;
H01H 9/02; A47F 5/00
See application file for complete search history.

(56) **References Cited**

U.S. PATENT DOCUMENTS

- 1,429,042 A * 9/1922 Liskow A47G 25/10
211/113
- 5,810,309 A * 9/1998 Augustine B60K 15/07
248/154
- 7,316,378 B1 * 1/2008 Curran A47F 5/0068
248/298.1
- D565,054 S * 3/2008 Anderson D14/452
- 7,476,807 B1 * 1/2009 Gretz H02G 3/123
174/135
- D667,013 S * 9/2012 Harper D14/452
- 9,437,918 B1 * 9/2016 Bales H01Q 1/125
- 2009/0014602 A1 * 1/2009 Frost B60R 7/08
248/100
- 2014/0076830 A1 * 3/2014 Westby F16M 11/18
211/26

- 2014/0103628 A1 * 4/2014 De Biasi B60K 15/067
280/834
- 2015/0096977 A1 * 4/2015 Sirosh F02M 21/0221
220/4.14
- 2015/0189989 A1 * 7/2015 Chen H05K 7/1489
248/201
- 2015/0258940 A1 * 9/2015 Breeden, III B60R 9/045
224/405
- 2015/0305493 A1 * 10/2015 Garcia A47B 46/005
211/86.01

(Continued)

Primary Examiner — Rosemary K Tarcza

Assistant Examiner — Alison Ofstun

(74) *Attorney, Agent, or Firm* — Tucker Ellis LLP; Carlos Garritano; Patrick Clunk

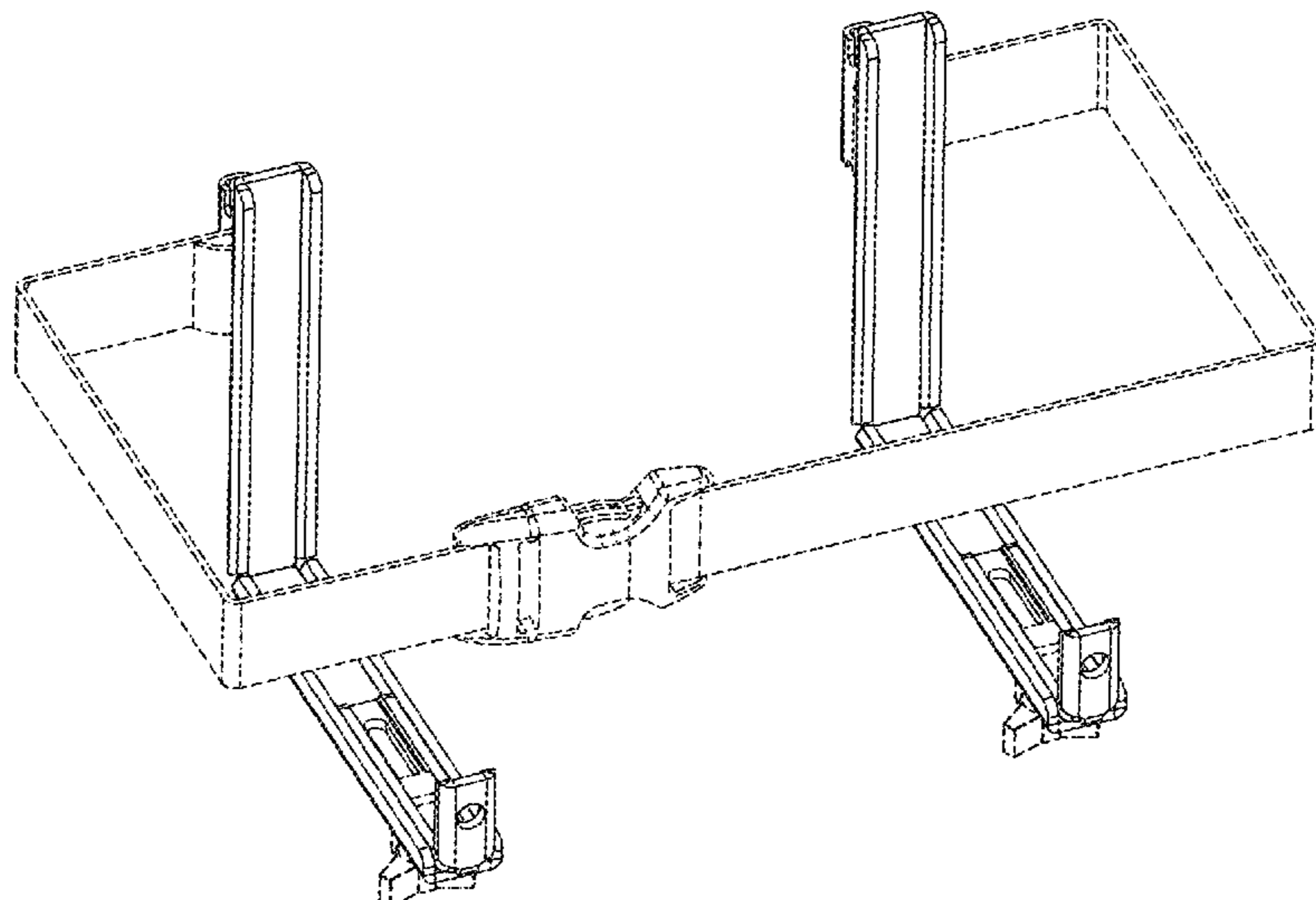
(57) **CLAIM**

The ornamental design for an adjustable bracket, as shown and described.

DESCRIPTION

FIG. 1 is a perspective view of an adjustable bracket in a closed position showing our new design; FIG. 2 is a rear view of the adjustable bracket in the closed position illustrated in FIG. 1; FIG. 3 is front view of the adjustable bracket in the closed position illustrated in FIG. 1; FIG. 4 is a left side of the adjustable bracket in the closed position illustrated in FIG. 1; FIG. 5 is a right side view of the adjustable bracket in the closed position illustrated in FIG. 1; FIG. 6 is a top view of the adjustable bracket in the closed position illustrated in FIG. 1; and, FIG. 7 is a bottom view of the adjustable bracket in the closed position illustrated in FIG. 1. The broken lines shown in the figures are included for the purpose of illustrating portions of the adjustable bracket which form no part of the claimed design.

1 Claim, 4 Drawing Sheets



(56)

References Cited

U.S. PATENT DOCUMENTS

2016/0135325 A1* 5/2016 Chen A47B 88/04
312/334.1
2016/0235196 A1* 8/2016 Chen A47B 96/07

* cited by examiner

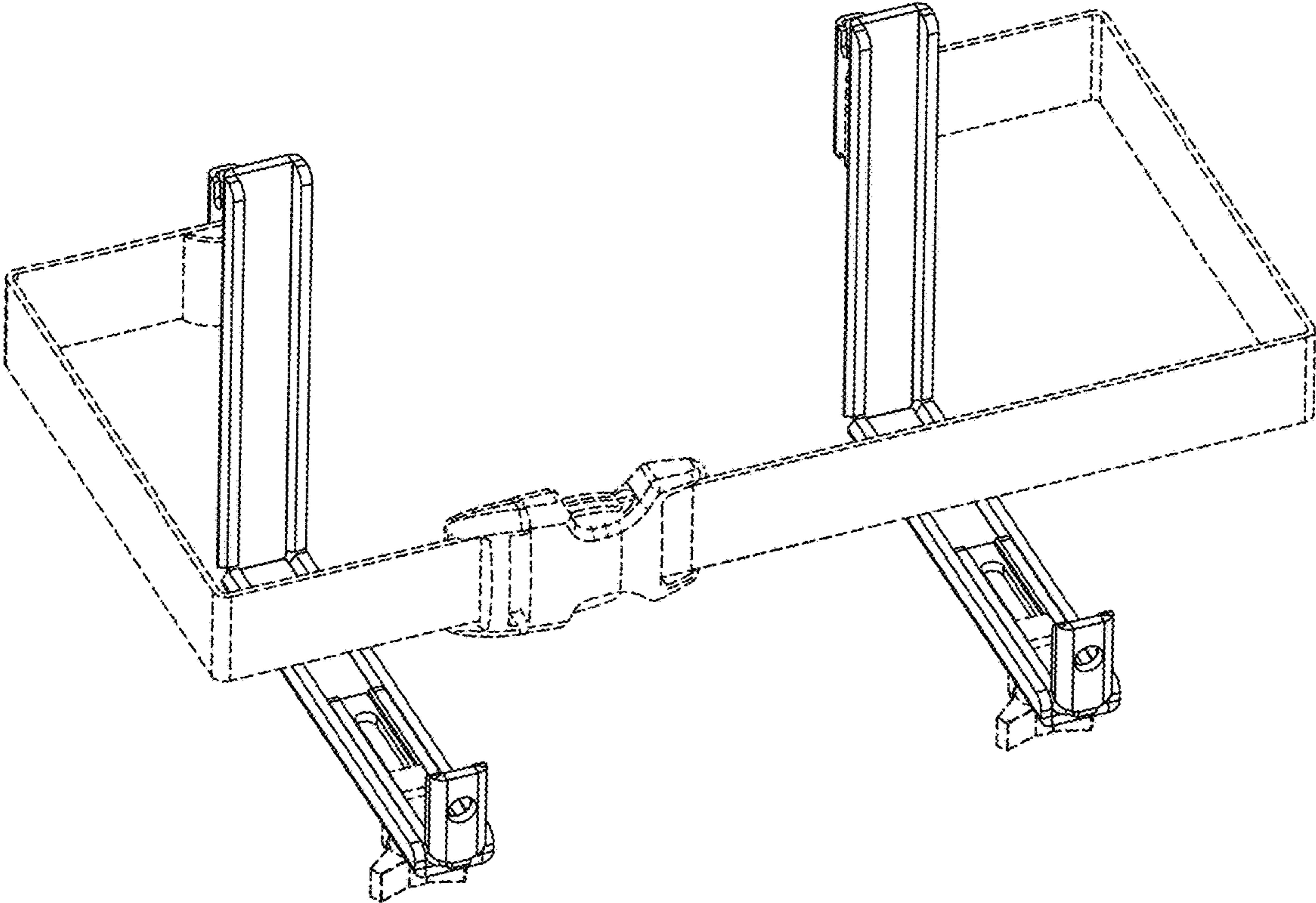


FIG. 1

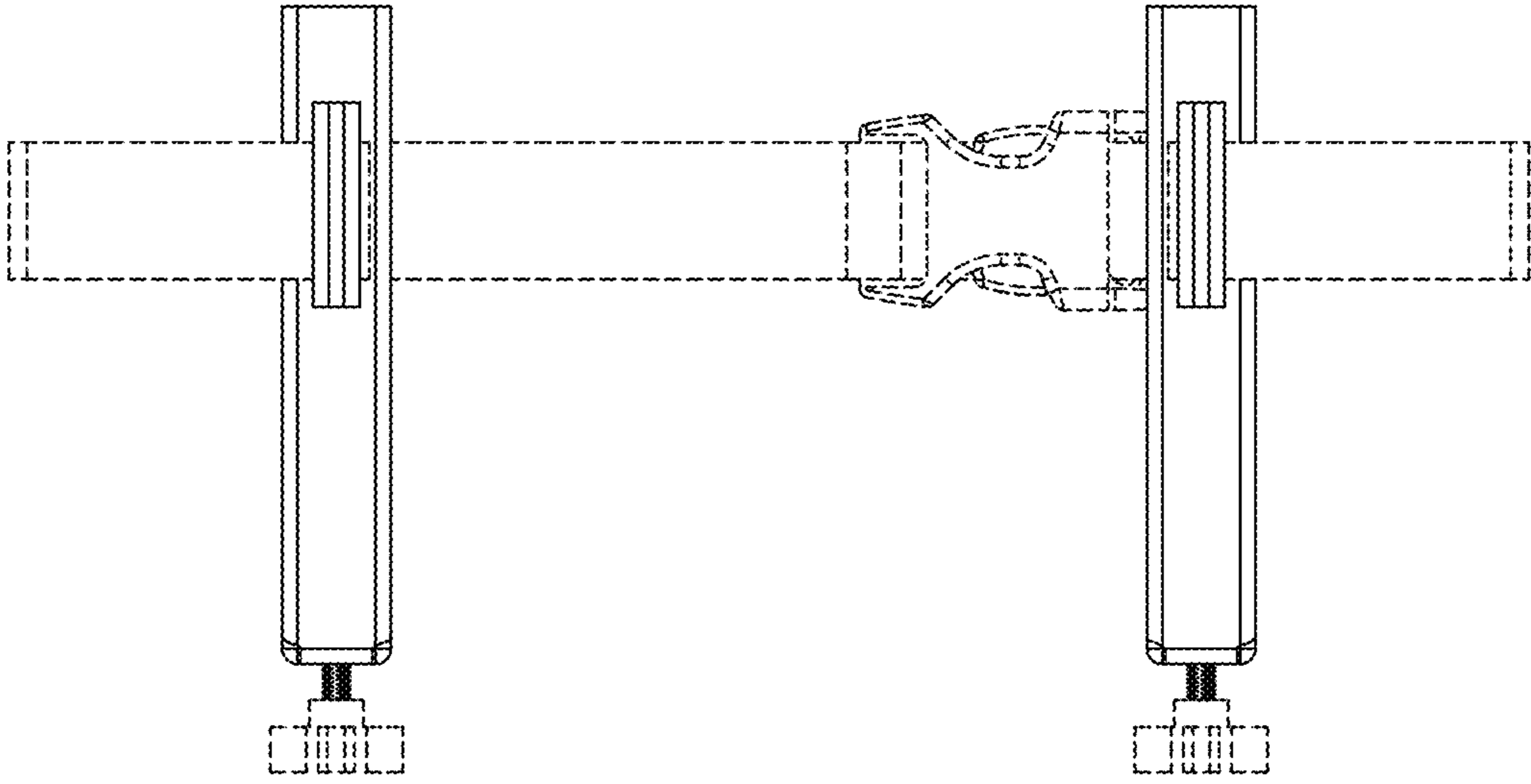


FIG. 2

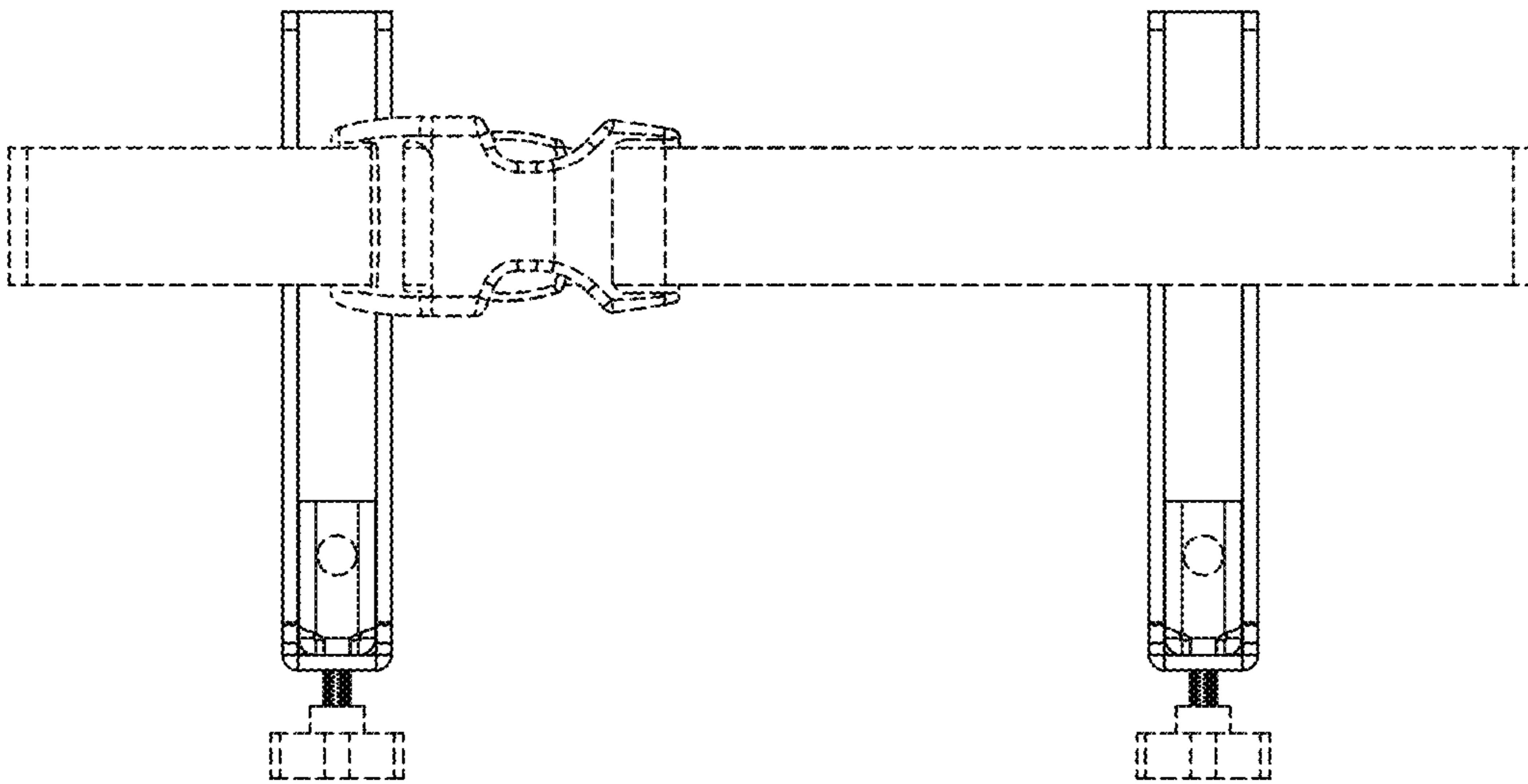


FIG. 3

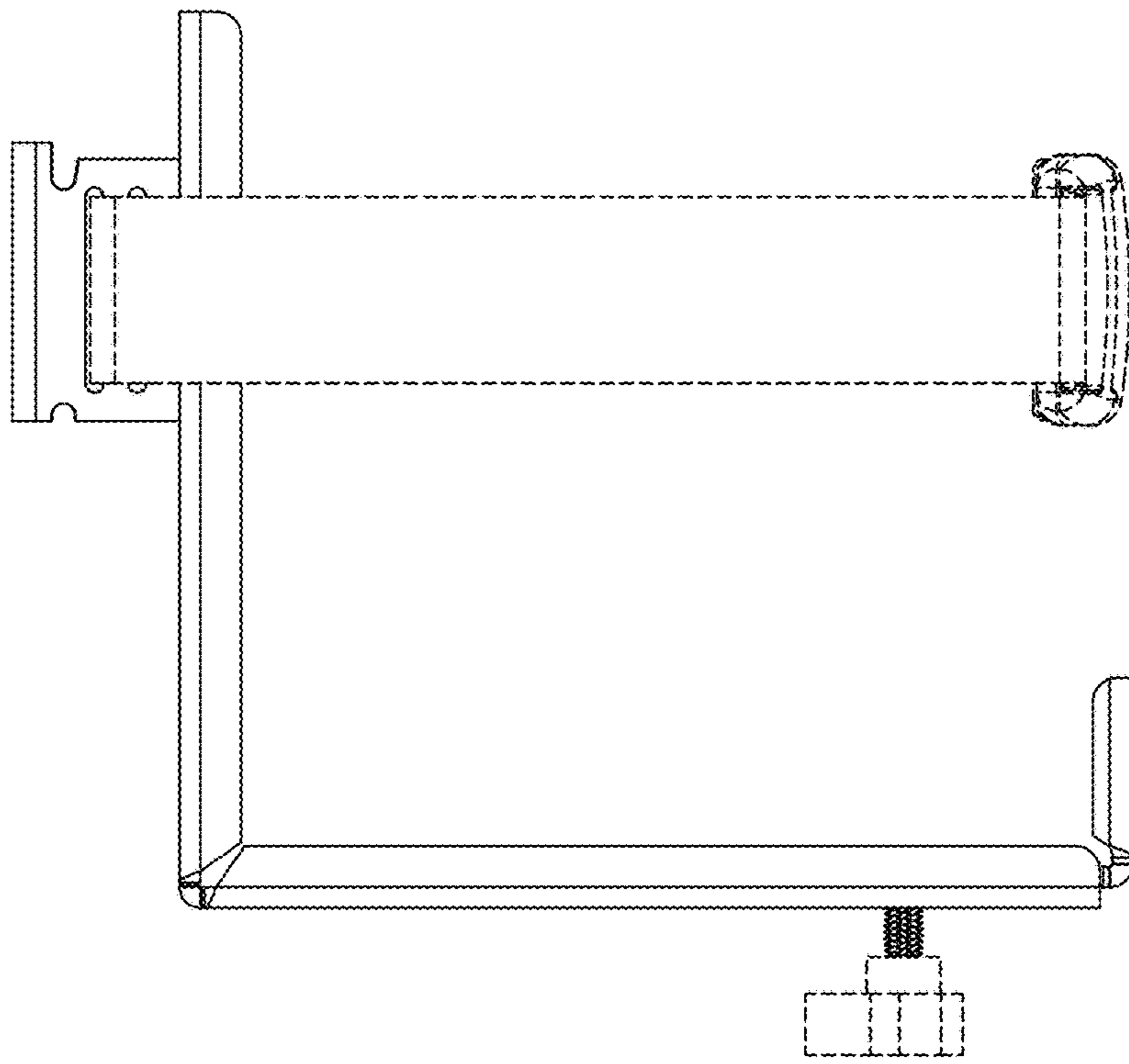


FIG. 4

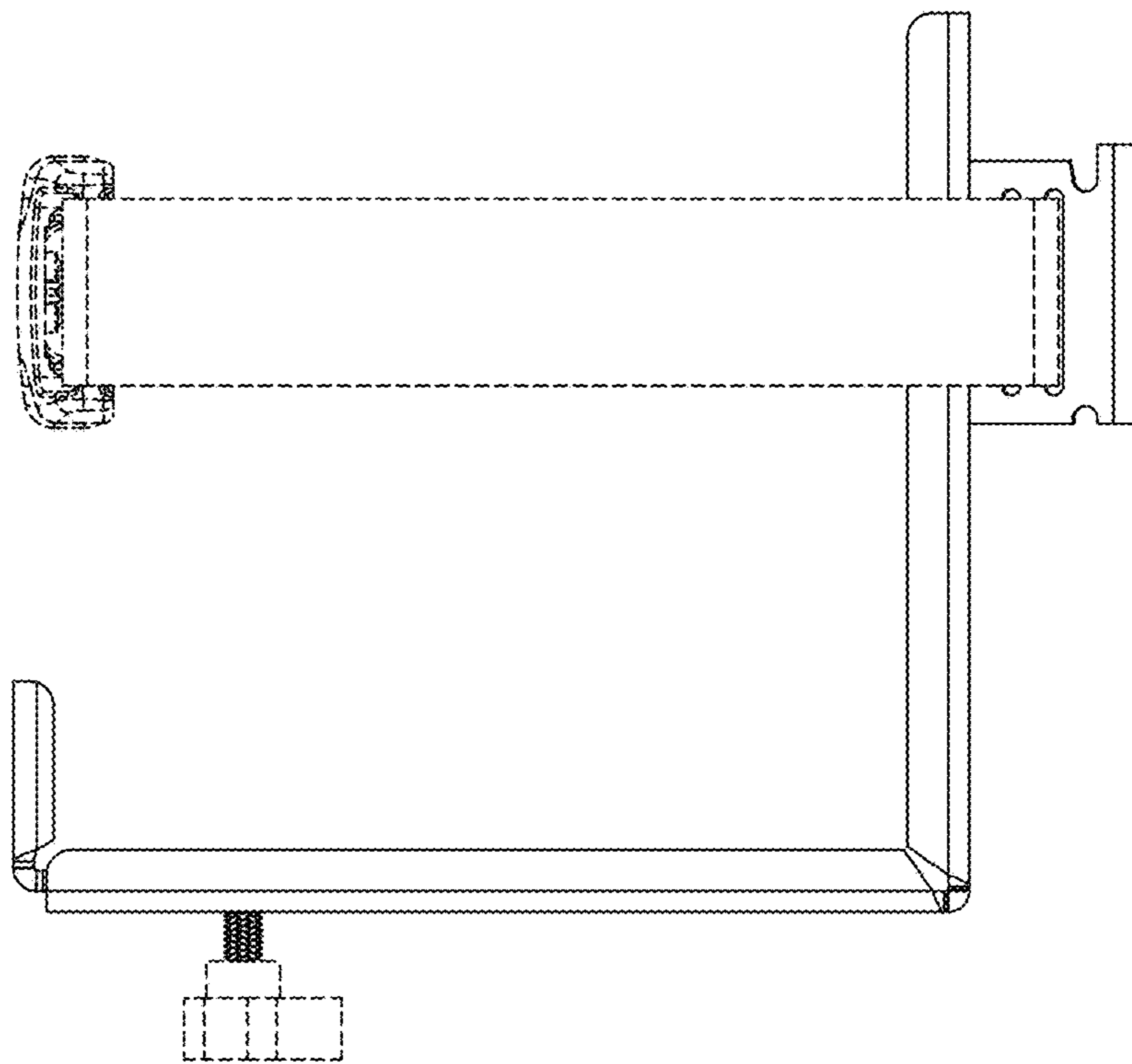


FIG. 5

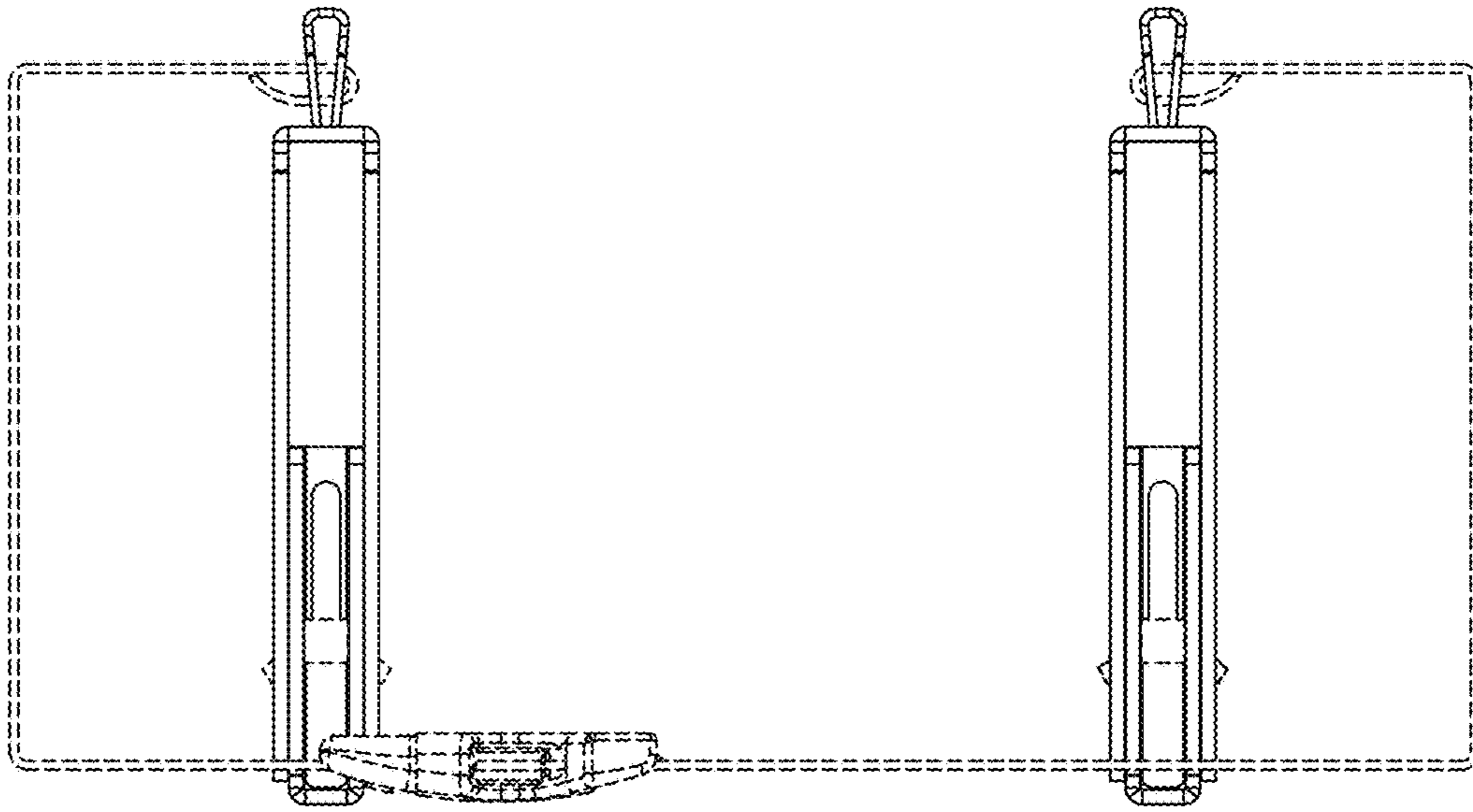


FIG. 6

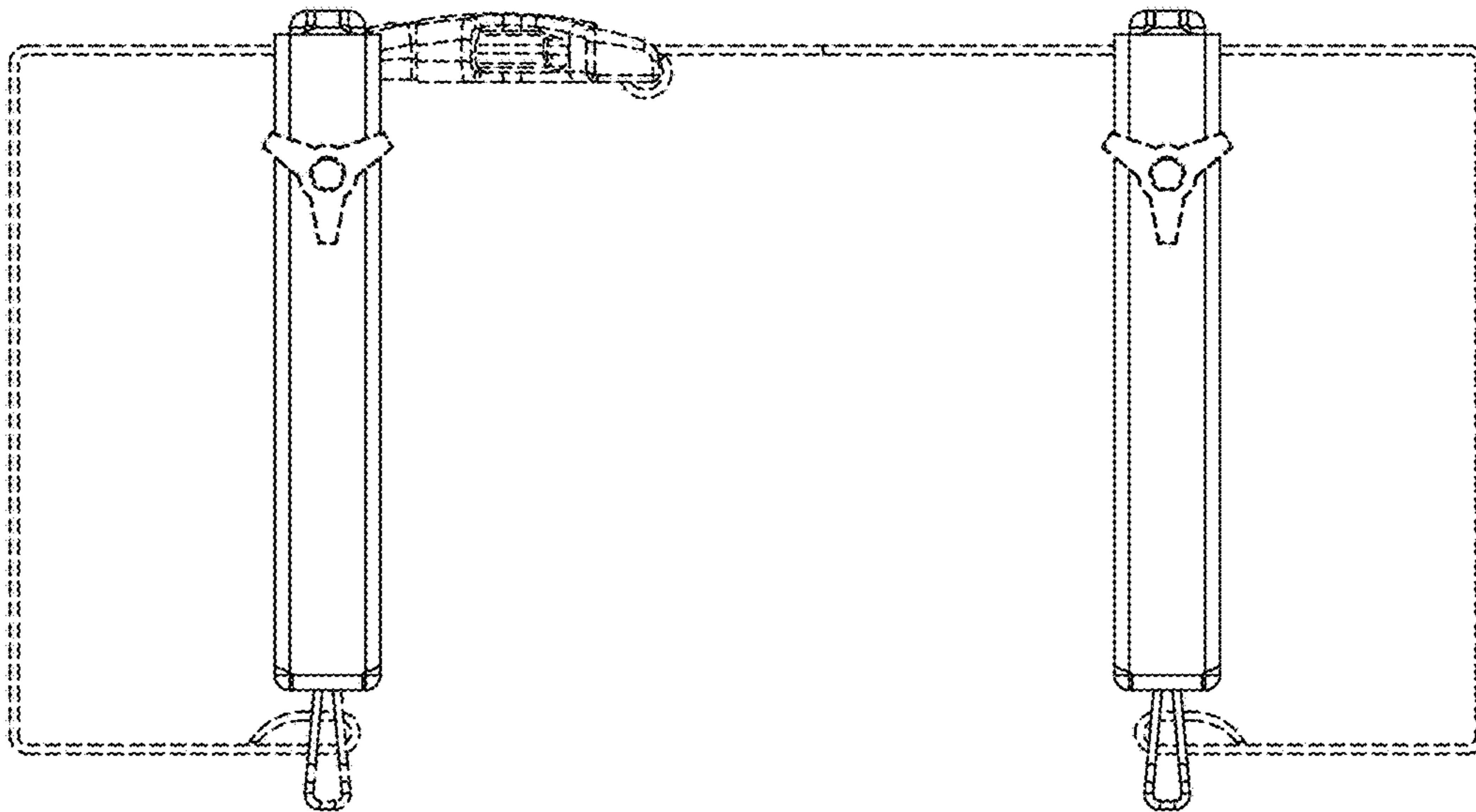


FIG. 7