



US00D789181S

(12) **United States Design Patent**
Webb

(10) **Patent No.:** **US D789,181 S**

(45) **Date of Patent:** **** Jun. 13, 2017**

(54) **MODULAR FURNITURE PART**

(71) Applicant: **Roger Webb**, London (GB)

(72) Inventor: **Roger Webb**, London (GB)

(**) Term: **15 Years**

(21) Appl. No.: **29/568,856**

(22) Filed: **Jun. 22, 2016**

(30) **Foreign Application Priority Data**

Dec. 23, 2015 (EM) 002921254-0007

(51) **LOC (10) Cl.** **08-05**

(52) **U.S. Cl.**
USPC **D8/354**

(58) **Field of Classification Search**
USPC D8/48, 71, 315-322, 354-355, 378-381,
D8/400-499; D12/420, 223
CPC F16L 1/00; F16L 9/00; F16L 13/00; F16L
2101/00; B25H 3/04; A61B 1/00; A61B
17/00; A61B 2217/00; A61B 2218/00;
H02G 1/00; H02G 2200/00; A47F 1/00;
H02J 1/00
See application file for complete search history.

(56) **References Cited**

U.S. PATENT DOCUMENTS

- 2,695,046 A * 11/1954 Tinnerman, III F16B 37/044
411/112
- 3,051,424 A * 8/1962 Duhamel F16L 3/11
248/62
- 3,087,009 A * 4/1963 Blanchet F16L 3/221
174/135
- 3,215,831 A * 11/1965 Gladsden F21S 8/088
174/45 R
- 3,523,667 A * 8/1970 Guerrero F16L 3/222
248/49
- D228,972 S * 10/1973 Bealer D12/420

- D232,633 S * 9/1974 Weast et al. D22/109
- 4,202,520 A * 5/1980 Loos F16L 3/227
248/68.1
- 5,794,897 A * 8/1998 Jobin H02G 7/053
24/459
- D447,931 S * 9/2001 Aitken D8/354
- 6,402,096 B1 * 6/2002 Ismert F16L 3/221
24/271
- D555,069 S * 11/2007 Francis D12/127
- 7,828,251 B2 * 11/2010 Tollefson E04B 5/48
248/49
- 8,702,044 B2 * 4/2014 Railsback F16L 3/2235
248/229.22
- 8,985,532 B2 * 3/2015 Chirpich A01M 7/0053
248/49
- 9,039,230 B2 * 5/2015 Crimi F21S 8/066
362/219
- D733,535 S * 7/2015 Egami D8/356
- 9,190,192 B2 * 11/2015 Tomita H02G 3/32
- D753,576 S * 4/2016 Burhanidust D12/223
- D772,044 S * 11/2016 McCoy D8/354
- D772,046 S * 11/2016 McCoy D8/354

(Continued)

Primary Examiner — Barbara Fox

Assistant Examiner — Kristin E Reed

(74) *Attorney, Agent, or Firm* — The Belles Group, P.C.

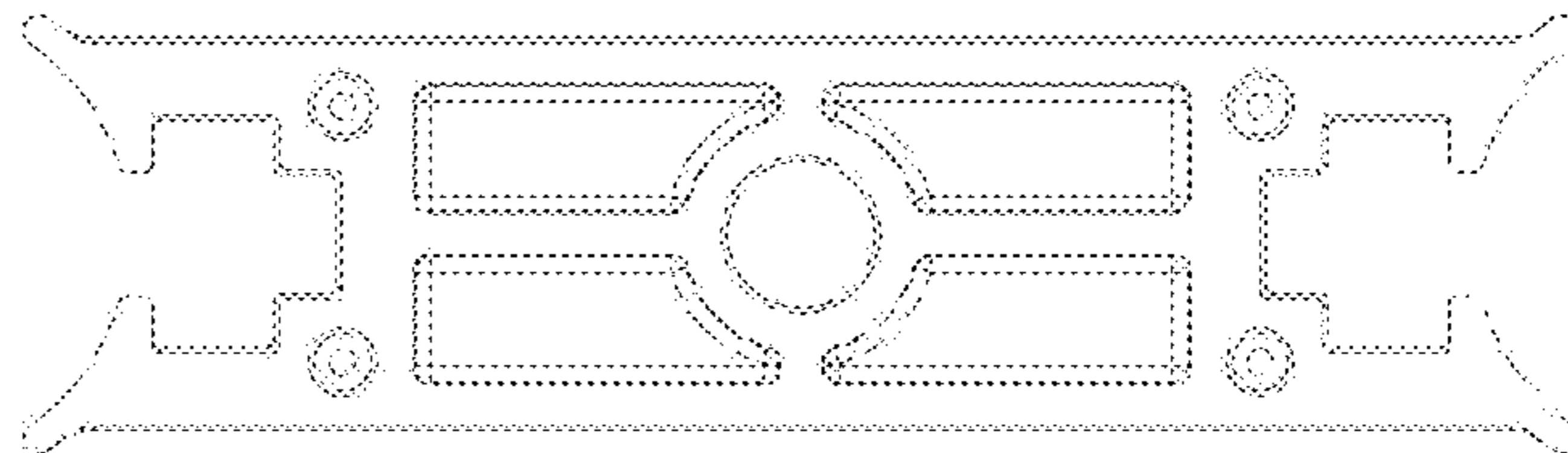
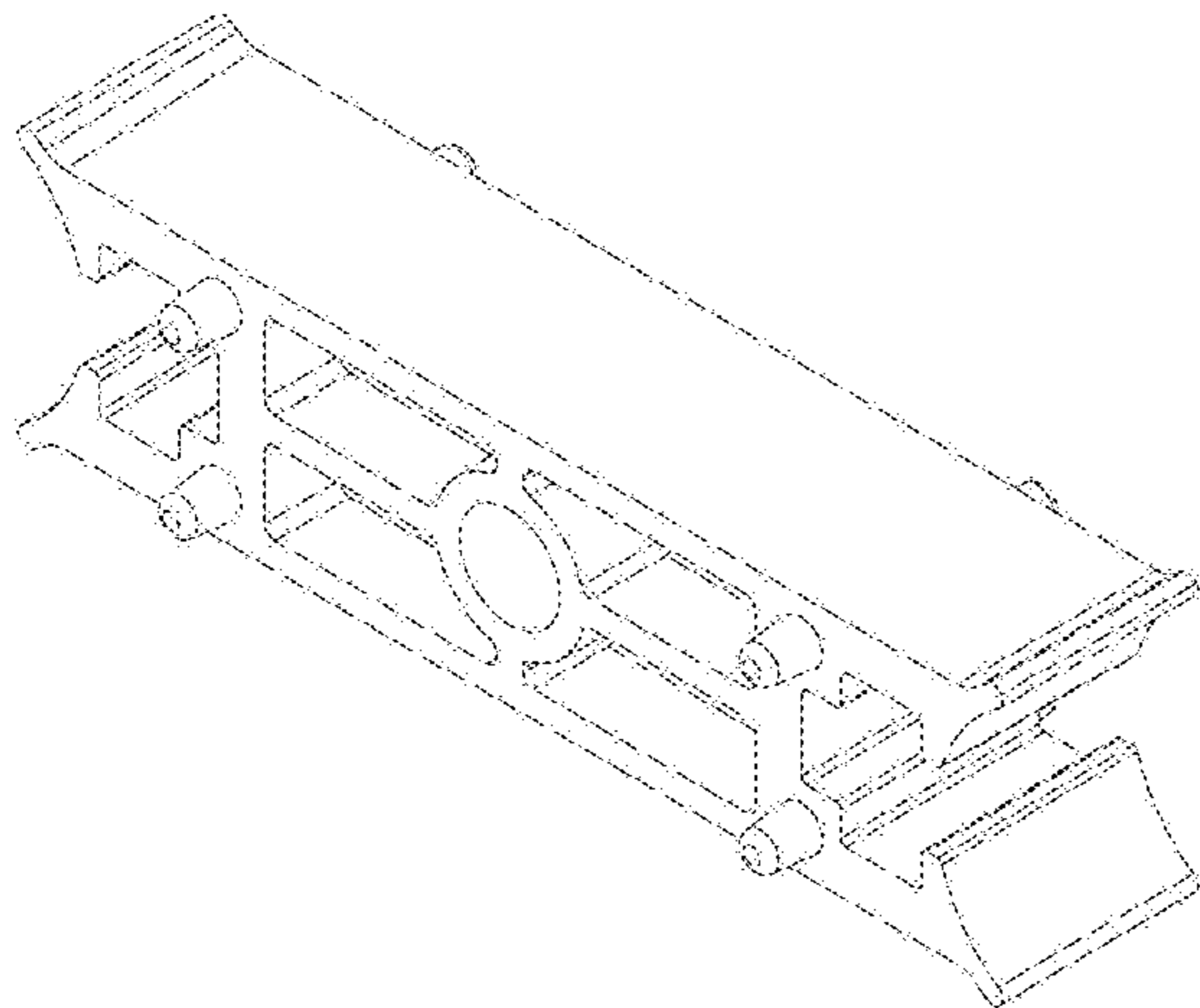
(57) **CLAIM**

I claim the ornamental design for a modular furniture part, as shown and described.

DESCRIPTION

FIG. 1 is a front perspective view of a modular furniture part showing my new design;
FIG. 2 is a front view thereof;
FIG. 3 is a rear view thereof;
FIG. 4 is a right-side view thereof
FIG. 5 is a left-side view thereof;
FIG. 6 is a top view thereof; and,
FIG. 7 is a bottom view thereof.

1 Claim, 7 Drawing Sheets



(56)

References Cited

U.S. PATENT DOCUMENTS

D772,047 S * 11/2016 McCoy D8/354
D772,049 S * 11/2016 McCoy D8/354
D772,050 S * 11/2016 McCoy D8/354
9,548,598 B2 * 1/2017 Tally H02G 3/32
2008/0047911 A1 * 2/2008 Kao A47F 5/0838
211/70.6
2011/0277405 A1 * 11/2011 Bowron F24F 13/0227
52/302.1
2012/0153771 A1 * 6/2012 Formosa B81C 1/0023
310/300

* cited by examiner

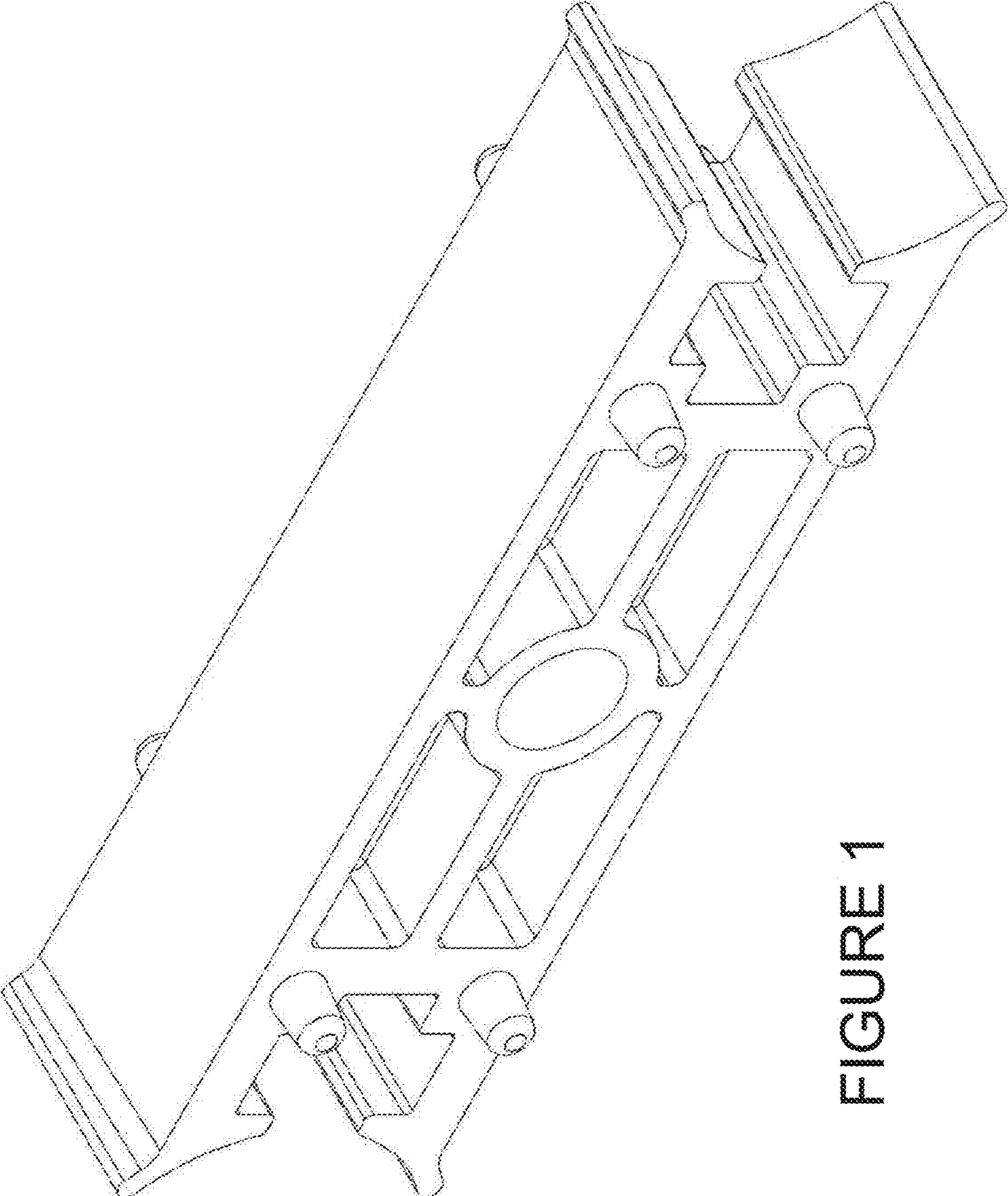


FIGURE 1

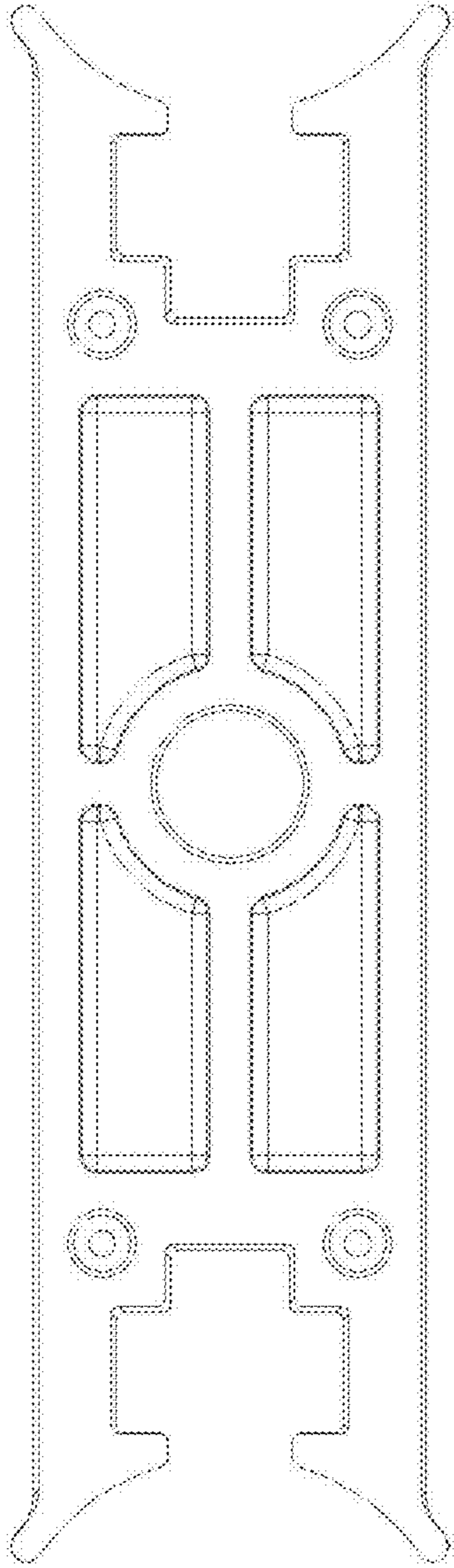


FIGURE 2

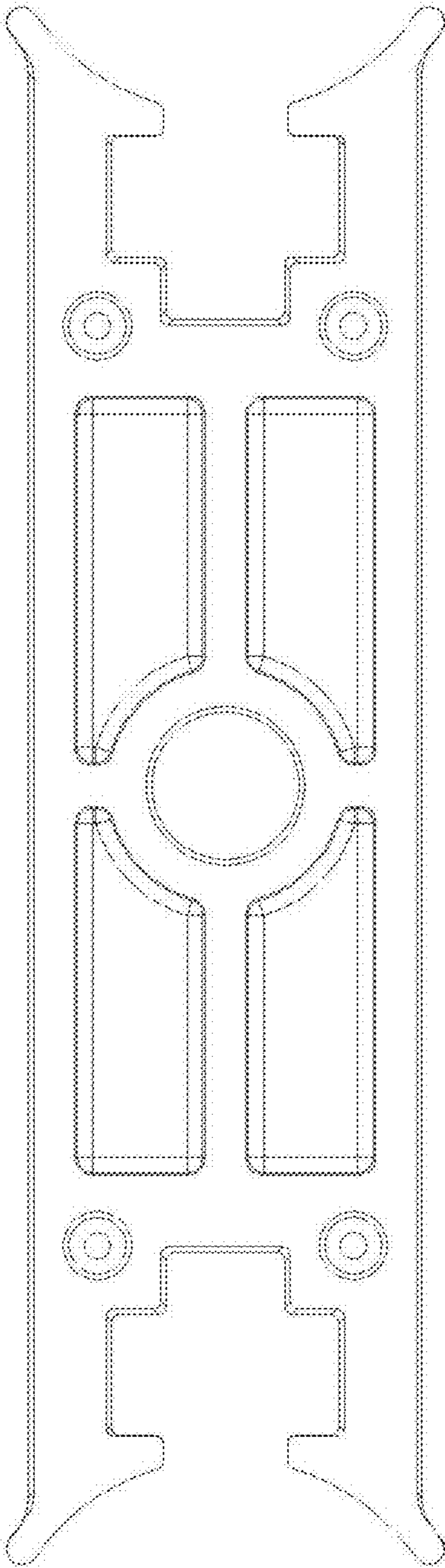


FIGURE 3

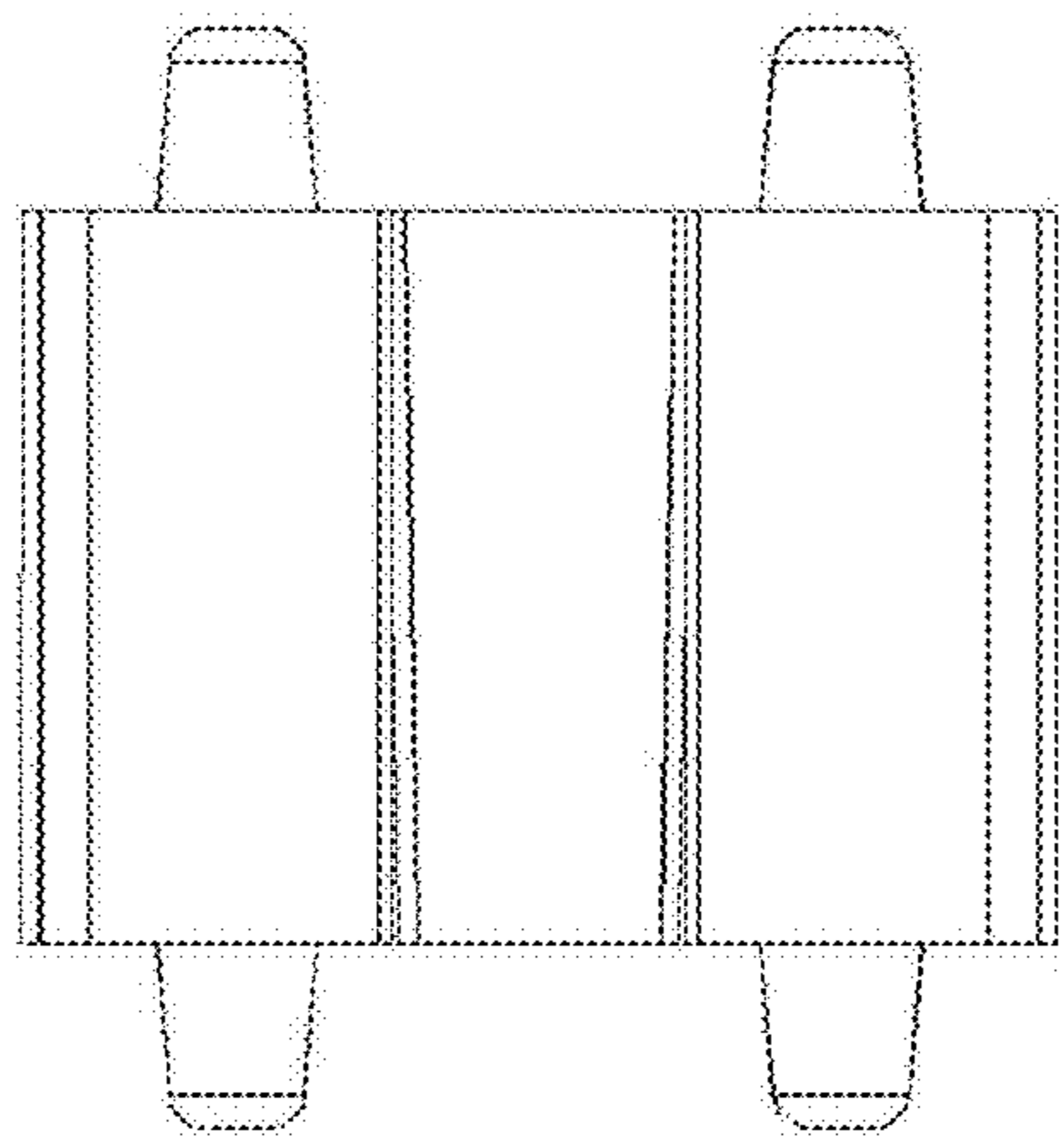


FIGURE 4

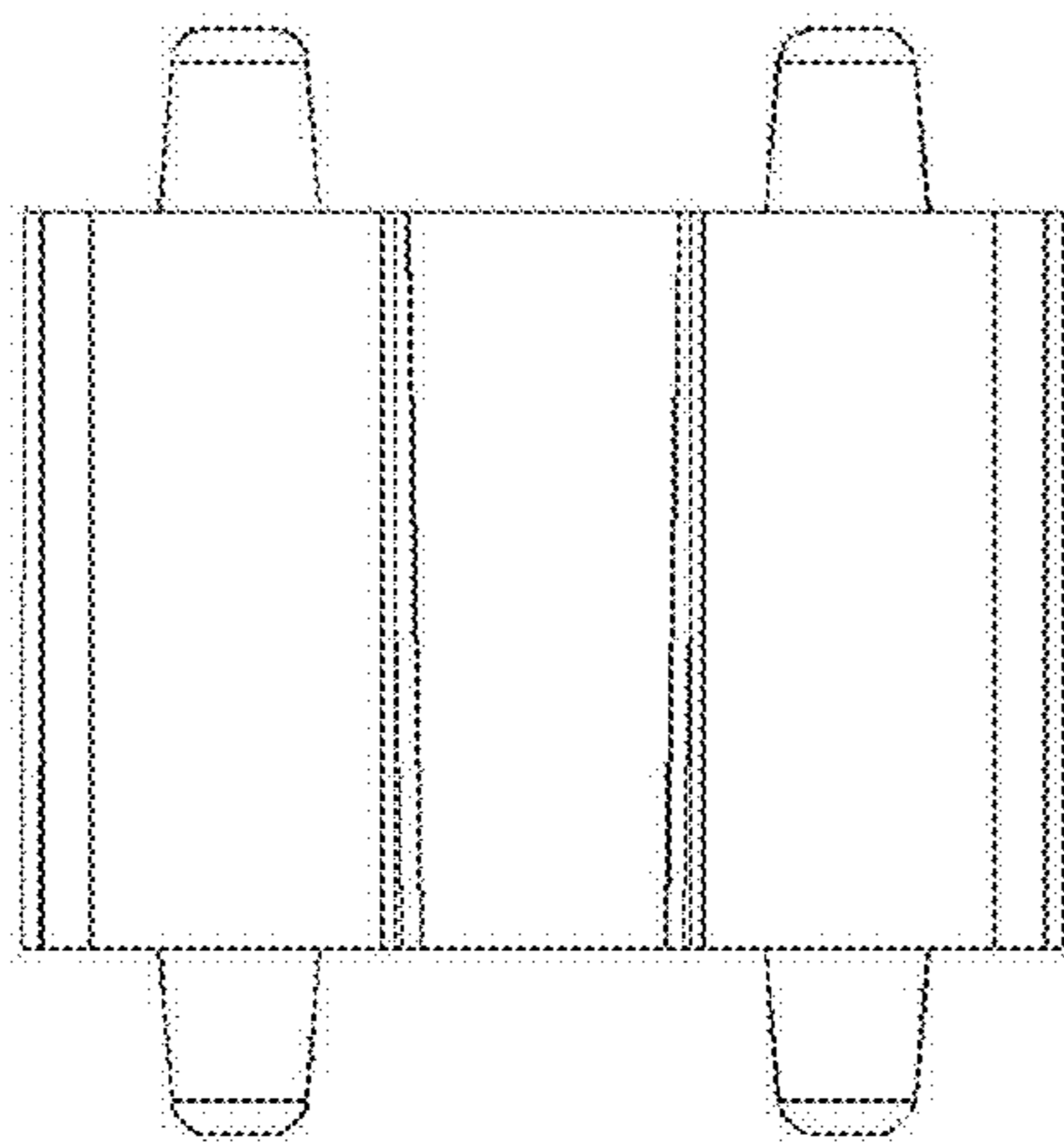


FIGURE 5

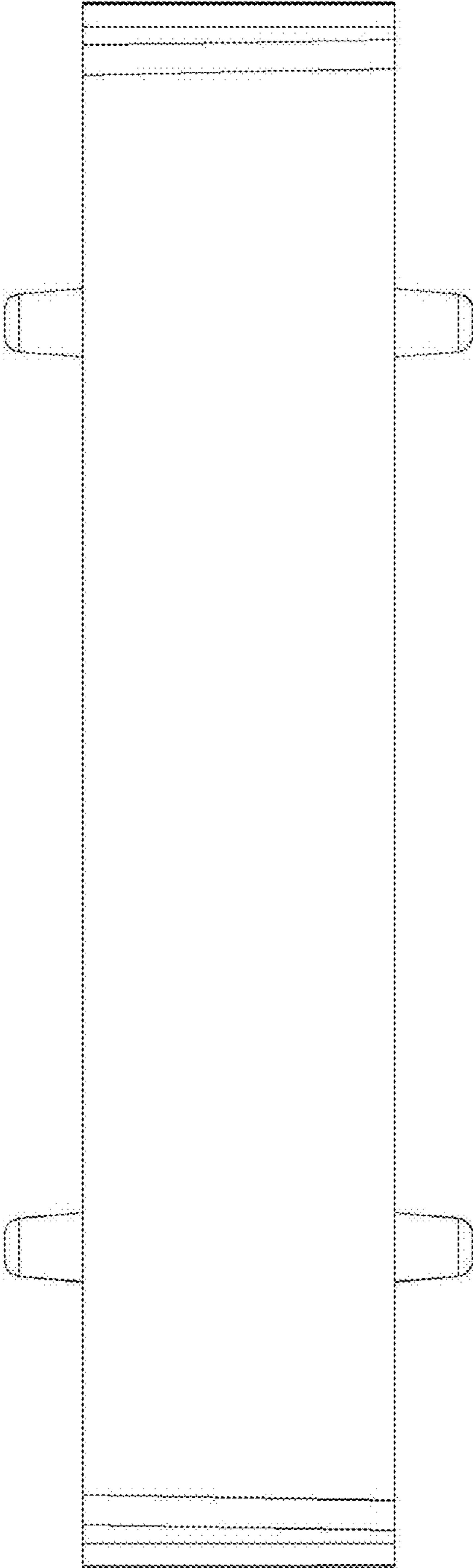


FIGURE 6

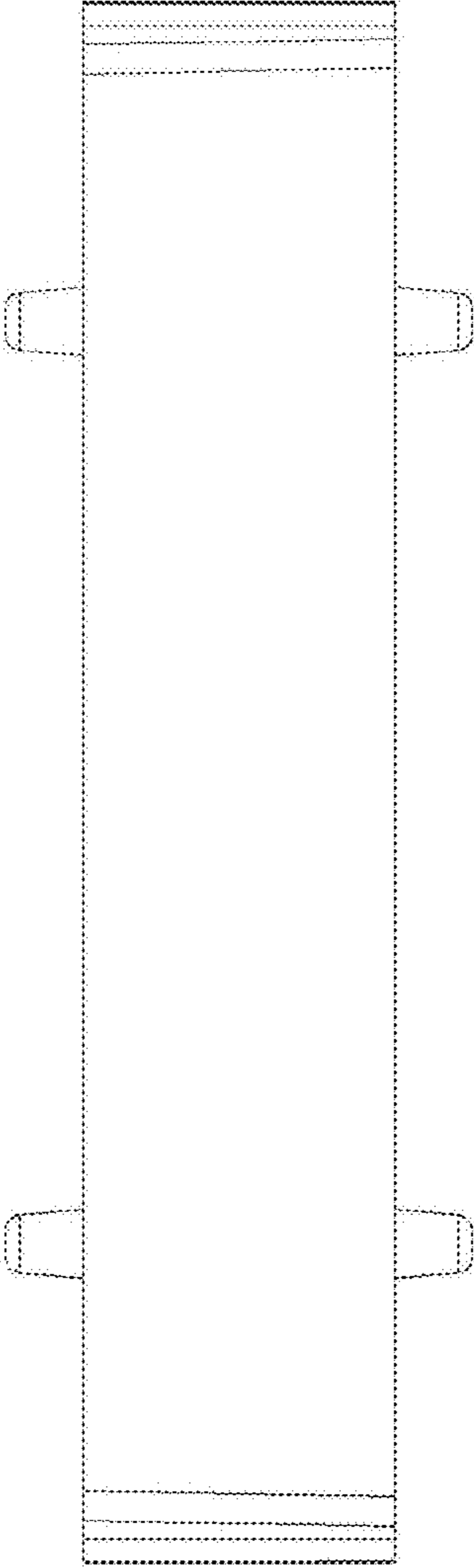


FIGURE 7