



US00D789179S

(12) **United States Design Patent**
Minkovich

(10) **Patent No.:** **US D789,179 S**
(45) **Date of Patent:** **** Jun. 13, 2017**

(54) **L-SHAPED BRACKET FOR GLASS PANEL**

- (71) Applicant: **BATH AUTHORITY LLC**,
Warminster, PA (US)
- (72) Inventor: **Michael Minkovich**, Richboro, PA
(US)
- (73) Assignee: **BATH AUTHORITY LLC**,
Warminster, PA (US)

(**) Term: **15 Years**

(21) Appl. No.: **29/562,840**

(22) Filed: **Apr. 29, 2016**

(51) **LOC (10) Cl.** **08-05**

(52) **U.S. Cl.**
USPC **D8/354**

(58) **Field of Classification Search**
USPC D8/354, 349, 380; D9/434, 435;
248/300, 65, 201, 214, 519, 268, 267;
403/232.1; 265/65.05; 160/321, 323.1
CPC E04B 1/2608; E04B 2001/2644; E04B
1/2604; E04B 7/045
See application file for complete search history.

(56) **References Cited**

U.S. PATENT DOCUMENTS

D439,558 S *	3/2001	Potter	D12/223
6,640,931 B2 *	11/2003	Palmer	E06C 7/44
				182/200
D563,771 S *	3/2008	Prechtel	D8/354
D588,441 S *	3/2009	Clarke	D8/354
D592,669 S *	5/2009	Malisse	D14/451
D594,312 S *	6/2009	Clarke	D8/354
D594,313 S *	6/2009	Clarke	D8/354
D649,026 S *	11/2011	Kong	D8/381
D769,698 S *	10/2016	Oltrogge	D8/349
2016/0290552 A1 *	10/2016	Holestine	E04H 17/1421

OTHER PUBLICATIONS

DreamLine AquaLux, posted at amazing-bath.com, posting date not given, [online], [site visited Jan. 30, 2017]. Available from Internet, <URL: <http://amazingbath.com/dreamlineaqualuxframelessHINGEDtubdoorwithreturnpanel.html>>.*
DreamLine Linea, posted at amazon.com, posting date Aug. 7, 2015, [online], [site visited Jan. 30, 2017]. Available from Internet, <URL: <https://www.amazon.com/DreamLineFramelessShowerBrushedNickel/dp/B013OZG664>>.*

(Continued)

Primary Examiner — Caron D Veynar

Assistant Examiner — Maria Edwards

(74) *Attorney, Agent, or Firm* — Fox Rothschild LLP

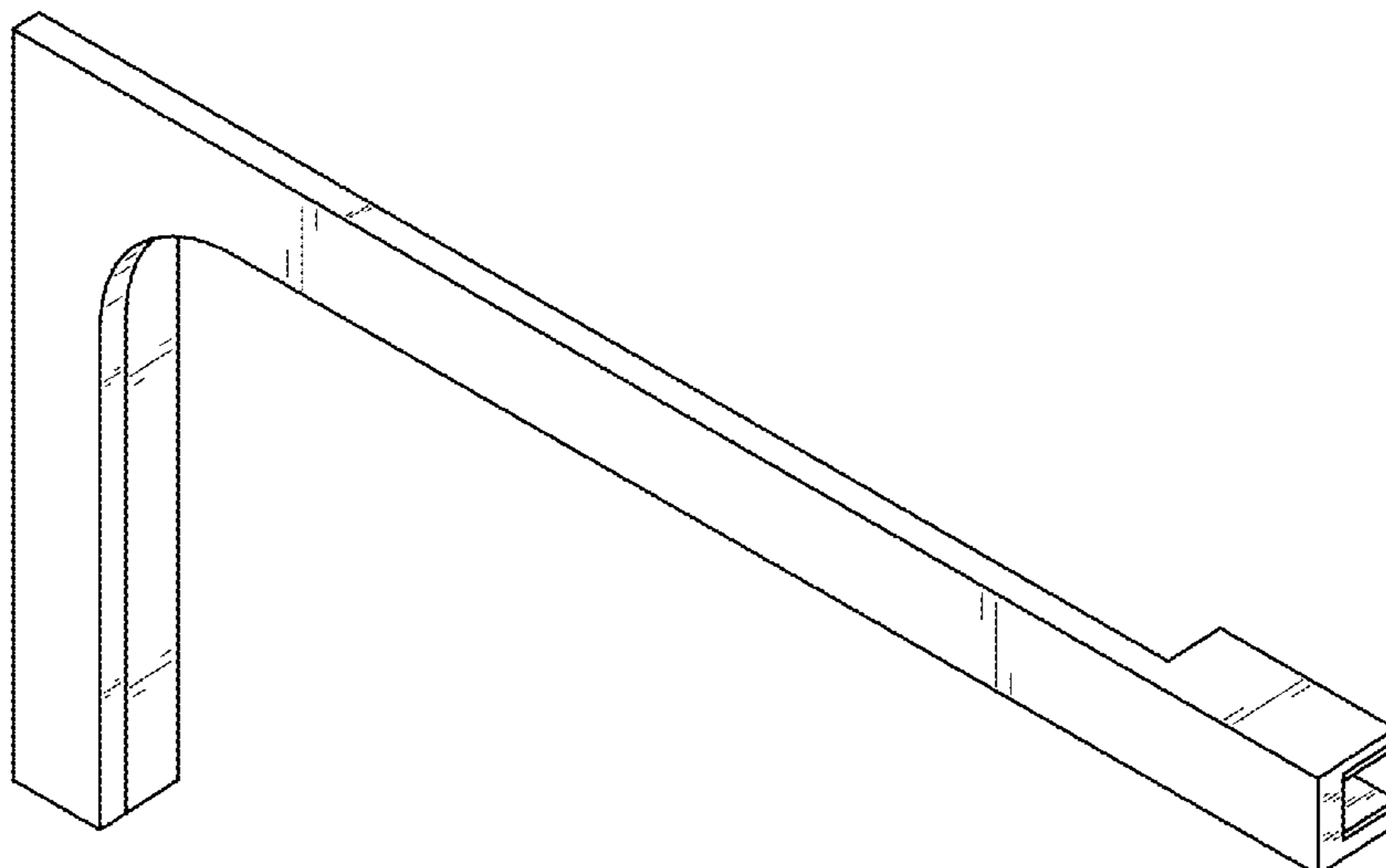
(57) **CLAIM**

The ornamental design for an L-shaped bracket for glass panel, as shown and described.

DESCRIPTION

FIG. 1 is a top perspective view of the L-shaped bracket for glass panel showing my new design;
FIG. 2 is a bottom perspective view thereof;
FIG. 3 is a top plan view thereof;
FIG. 4 is a bottom plan view thereof;
FIG. 5 is left-side elevation view thereof;
FIG. 6 is a right-side elevation view thereof;
FIG. 7 is a front elevation view thereof;
FIG. 8 is a rear elevation view thereof; and,
FIG. 9 is a mirror image and top perspective view of the L-shaped bracket for glass panel of FIG. 1 shown installed on a glass panel of a shower enclosure.
In the drawings, the broken lines in the drawings illustrate environmental subject matter and form no part of the claimed design.

1 Claim, 7 Drawing Sheets



(56)

References Cited

OTHER PUBLICATIONS

DreamLine on Faucet, posted at faucet.com, posting date not given, [online], [site visited Jan. 30, 2017]. Available from Internet, <URL: <https://www.faucet.com/dreamlineshdr19605810chromemirage58highx60wideslidingframe-lessshowerdoorwithclearglass/f1902653>>.*

Mirage-X, posted at dreamline.com, posting date not given, [online], [site visited Jan. 30, 2017]. Available from Internet, <URL: http://dreamline.com/bathtubdoors/dreamlinemiragex5660inwx58inhslidingtubdoor_shdr1960580101.html>.*

* cited by examiner

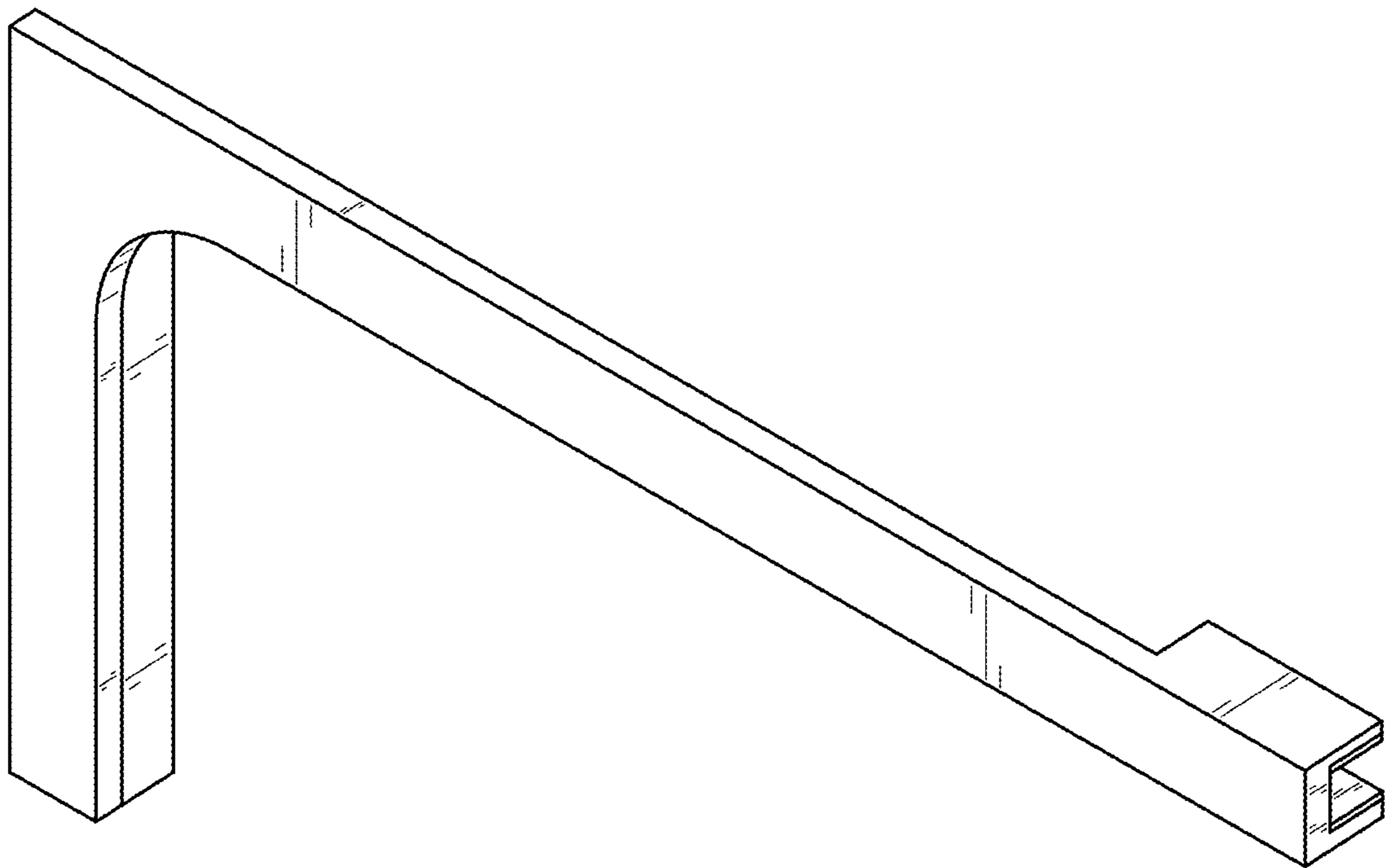


FIG. 1

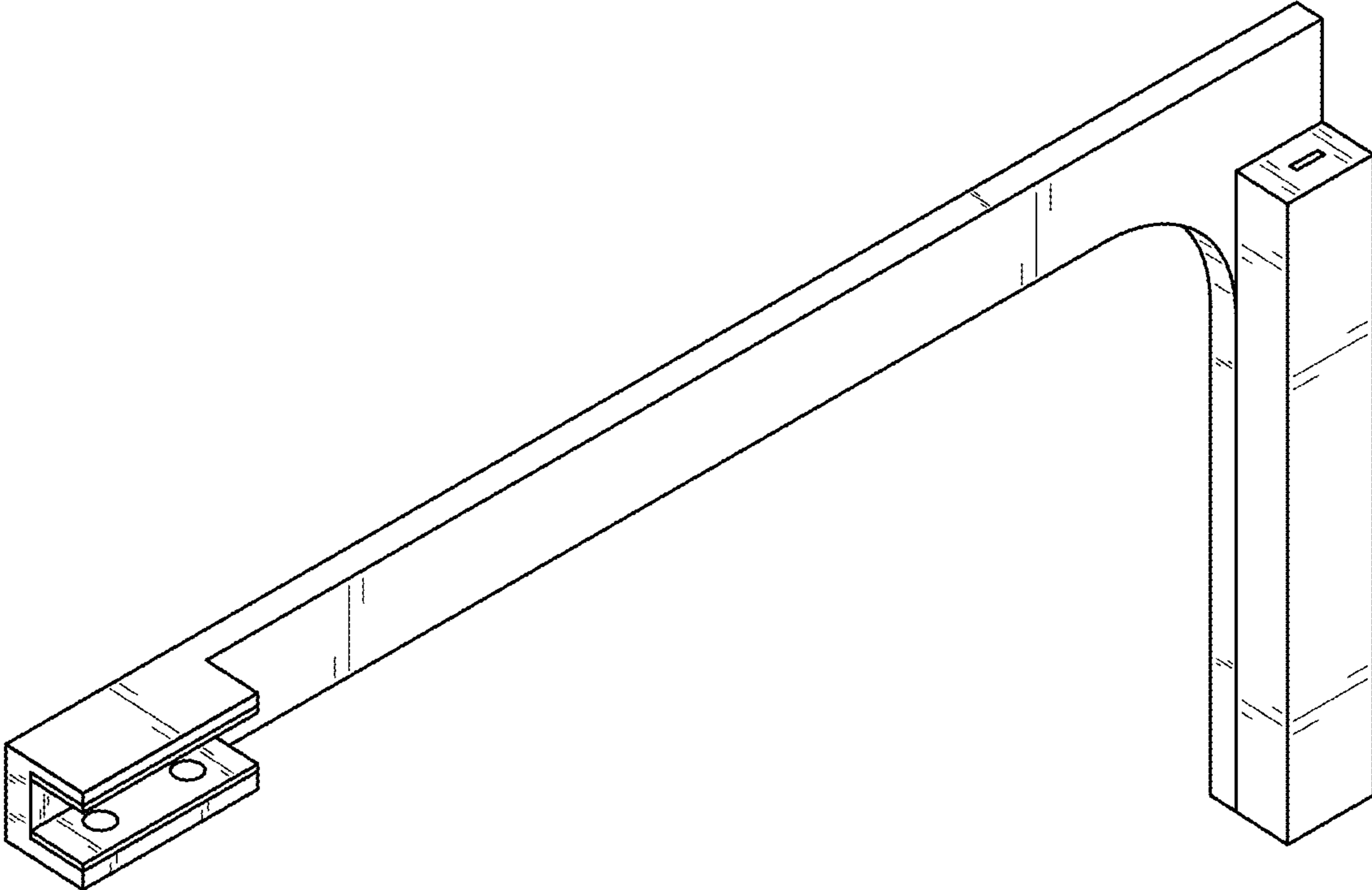


FIG. 2

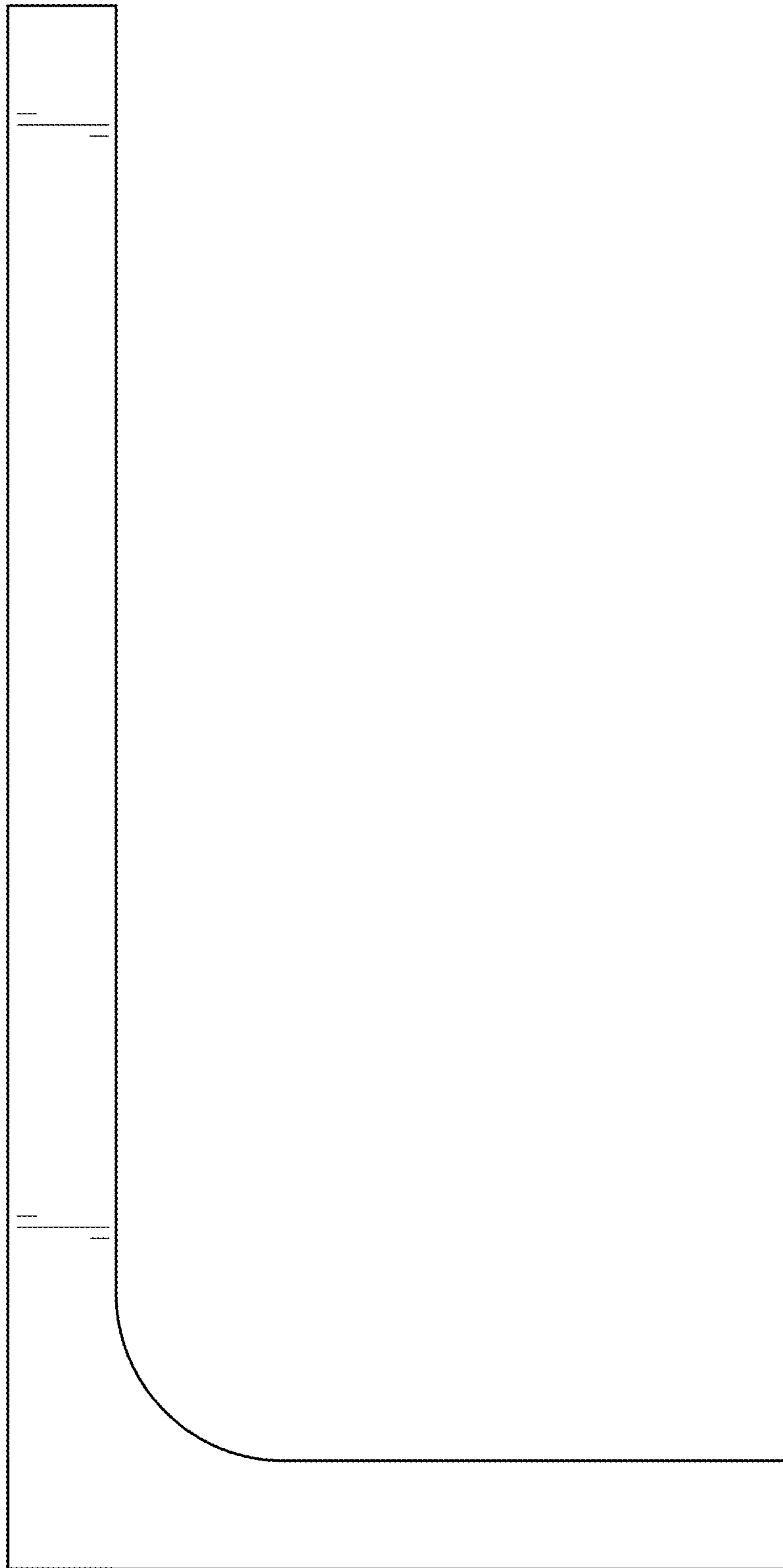


FIG. 3

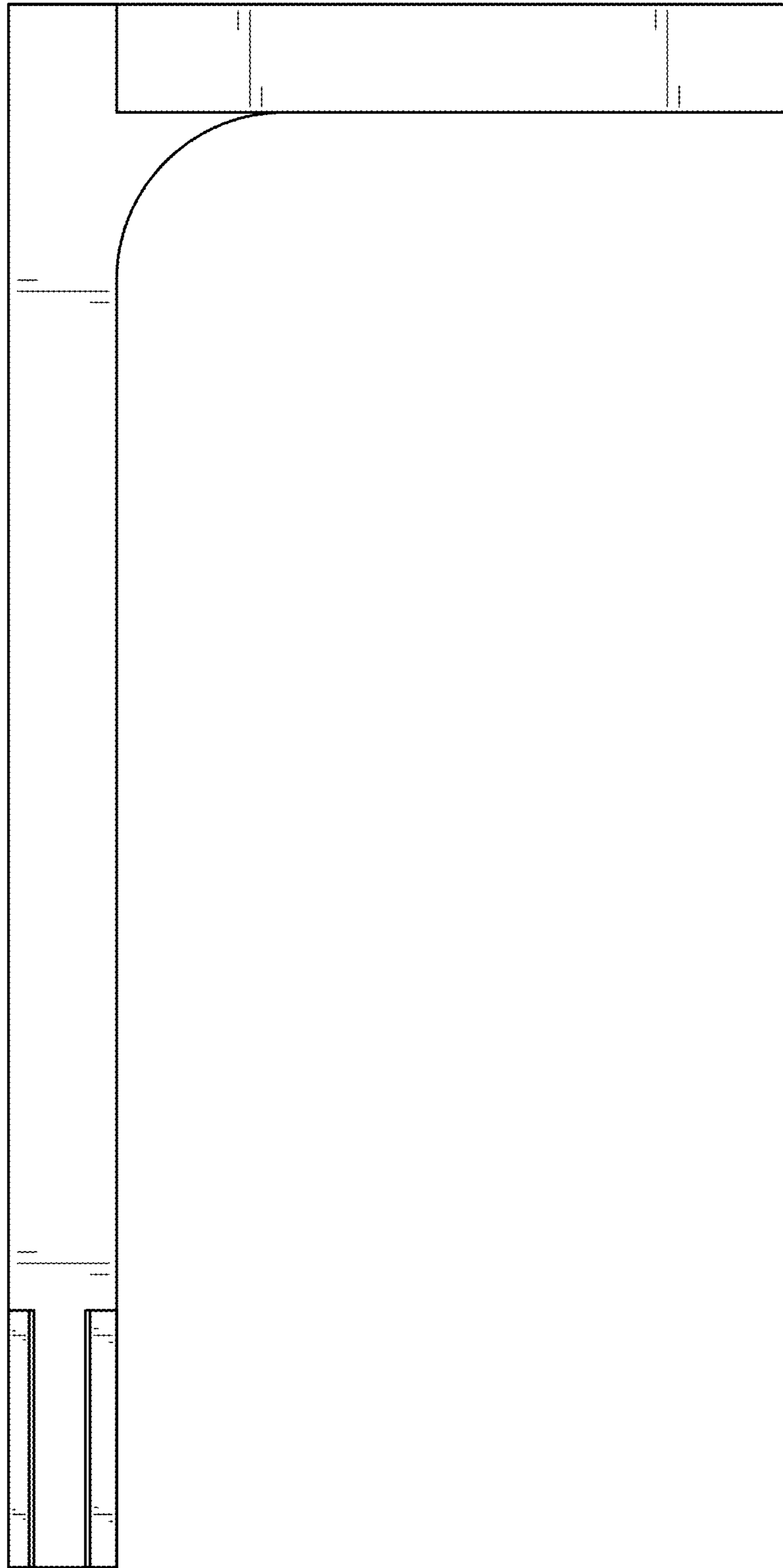


FIG. 4

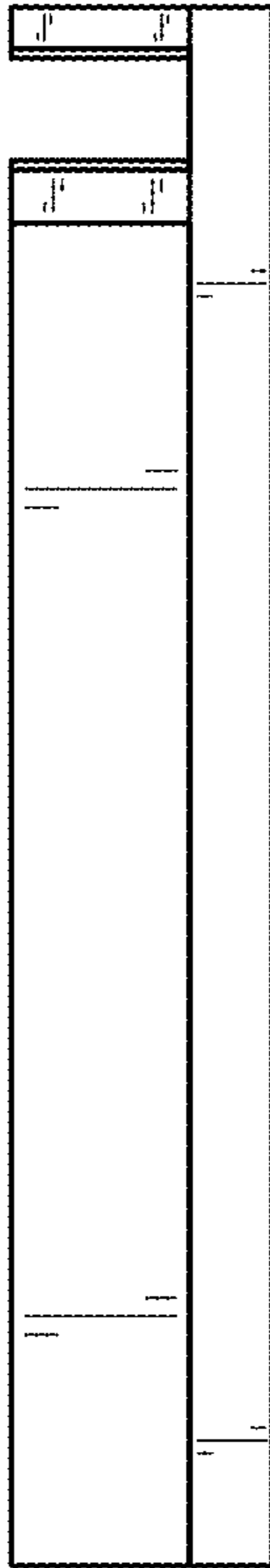


FIG. 5

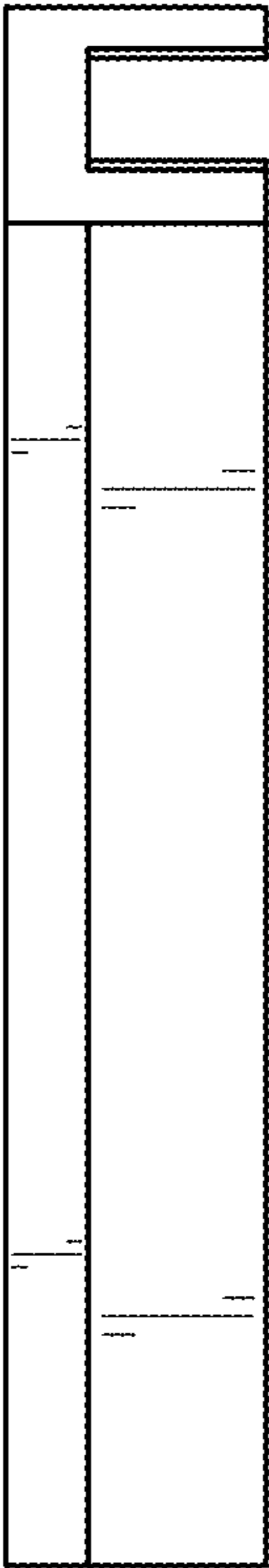


FIG. 6



FIG. 7

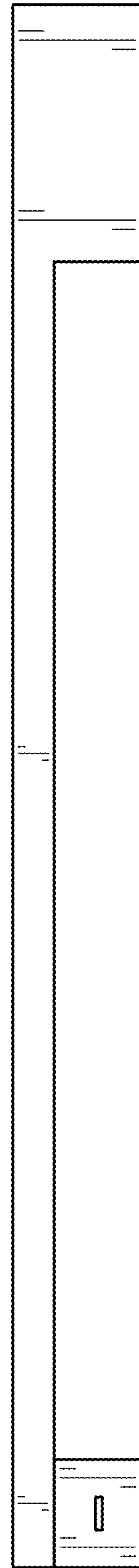


FIG. 8

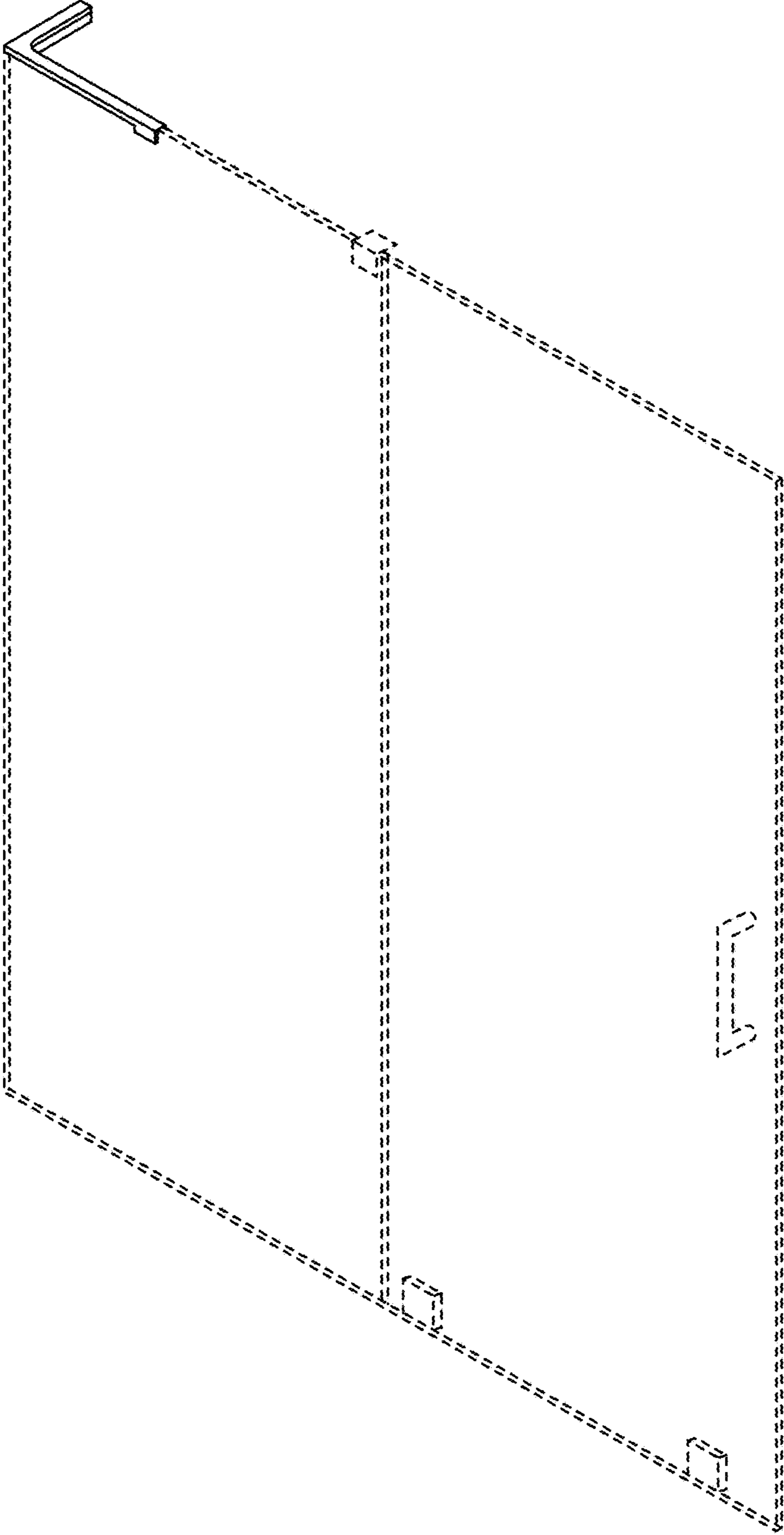


FIG. 9