



US00D789178S

(12) **United States Design Patent**  
**Carnevali**

(10) **Patent No.:** **US D789,178 S**

(45) **Date of Patent:** **\*\* Jun. 13, 2017**

(54) **ADAPTER BASE WITH BALL MOUNT**

8,037,904 B2 \* 10/2011 Carnevali ..... F16L 55/132  
138/89

(71) Applicant: **Jeffrey D. Carnevali**, Seattle, WA (US)

D729,704 S \* 5/2015 Song ..... D12/162  
2005/0104327 A1 \* 5/2005 Irgens ..... B60D 1/60  
280/511

(72) Inventor: **Jeffrey D. Carnevali**, Seattle, WA (US)

(Continued)

(\*\*) Term: **15 Years**

**OTHER PUBLICATIONS**

(21) Appl. No.: **29/556,150**

Ram Mount 2 x 1, posted at amazon.com, posting date not given,  
[online], [site visited Dec. 1, 2016]. Available from Internet, <URL:  
https://www.amazon.com/ContainsUniversalPat-  
ternDiscontinuedManufacturer/dp/B004O8LF26>.\*

(22) Filed: **Feb. 27, 2016**

(Continued)

(51) **LOC (10) Cl.** ..... **08-05**

(52) **U.S. Cl.**

USPC ..... **D8/354**

(58) **Field of Classification Search**

USPC ..... D8/354, 349; D14/239; 269/277, 75;  
280/490.1

CPC .... G03B 17/08; G03B 17/561; G03B 17/566;  
A47B 2210/0043; A47B 2210/0059;  
A47B 88/10; B29C 45/14336; B29C  
45/1459; G02B 7/182; H04M 1/04; H04N  
5/2251; H04N 5/2252; H04N 5/2253

See application file for complete search history.

*Primary Examiner* — Caron D Veynar

*Assistant Examiner* — Maria Edwards

(74) *Attorney, Agent, or Firm* — Charles J. Rupnick  
Attorney at Law

(57) **CLAIM**

The ornamental design for an adapter base with ball mount,  
as shown and described.

**DESCRIPTION**

FIG. 1 is a solid perspective view showing my new design;  
FIG. 2 is a top front right side perspective view thereof;  
FIG. 3 is a top front left side perspective view thereof;  
FIG. 4 is a top rear right side perspective view thereof;  
FIG. 5 is a bottom perspective view thereof  
FIG. 6 is a front elevational view thereof;  
FIG. 7 is a rear elevational view thereof;  
FIG. 8 is a left side elevational view thereof;  
FIG. 9 is a right side elevational view thereof;  
FIG. 10 is a top elevational view thereof; and,  
FIG. 11 is a bottom elevational view thereof.

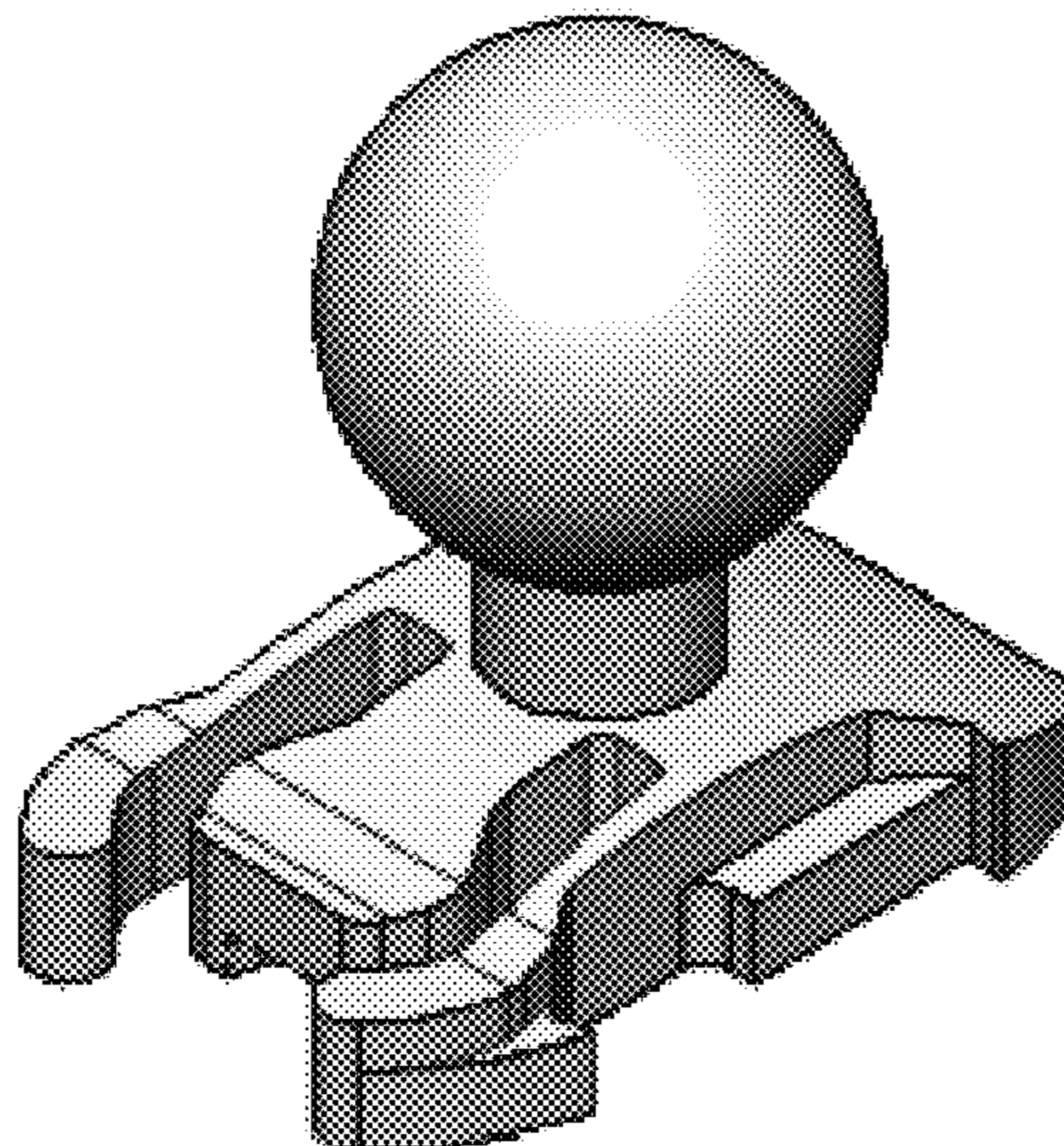
Portions of the ornamental design for an adapter base with  
ball mount of the invention that are not shown in the figures  
are disclaimed and form no part of the claimed design. The  
broken lines illustrate portions of the adapter base with ball  
mount and form no part of the claimed design.

**1 Claim, 4 Drawing Sheets**

(56) **References Cited**

**U.S. PATENT DOCUMENTS**

- 4,033,601 A \* 7/1977 Lindahl ..... B60D 1/46  
280/490.1
- 5,069,433 A \* 12/1991 Womack ..... B25B 1/2457  
269/277
- D376,780 S \* 12/1996 McCoy ..... D12/162
- 6,203,048 B1 \* 3/2001 Adair ..... B60D 1/52  
280/491.5
- D571,278 S \* 6/2008 Carnevali ..... D12/223
- D588,902 S \* 3/2009 Carnevali ..... D8/354
- D607,381 S \* 1/2010 Lekkas ..... D12/162



(56)

**References Cited**

U.S. PATENT DOCUMENTS

2009/0140112 A1\* 6/2009 Carnevali ..... F16B 5/0657  
 248/223.41  
 2011/0024598 A1\* 2/2011 Carnevali ..... B62J 29/00  
 248/482  
 2011/0193321 A1\* 8/2011 Breeden ..... B60D 1/06  
 280/511  
 2012/0045276 A1\* 2/2012 Carnevali ..... F16B 7/20  
 403/350  
 2015/0030386 A1\* 1/2015 Carnevali ..... F16B 21/02  
 403/348  
 2015/0275942 A1\* 10/2015 Carnevali ..... F16B 2/10  
 403/374.3

OTHER PUBLICATIONS

BTS—Ball Mount Base Adapter With Attachment Screw S, posted at housingcamera.com, posting date not given, [online], [site visited

Dec. 1, 2016]. Available from Internet, <URL: <http://www.housingcamera.com/id2849btsbmba.html>>.\*

RAM Marine Electronic Adapter Base with 1 Ball, posted at rammount.com, posting date not given, [online], [site visited Dec. 1, 2016]. Available from Internet, <URL: <http://www.rammount.com/part/RAMB1071BU>>.\*

Mounting Adapter Base with 1 inch Rubber Ball, posted at aliexpress.com, posting date not given, [online], [site visited Dec. 1, 2016]. Available from Internet, <URL: <https://www.aliexpress.com/item/>

MotorcycleMountingBaseforWaterproofCaeswith4LockMechiwith1inchRubberBallfor/32691326396.html?spm=2114.40010308.4.47.dEAwSF>.\*

Howshot Base Mouint with 1 Ball Adapter, posted at diversion.com, posting date not given, [online], [site visited Dec. 1, 2016]. Available from Internet, <URL: <http://www.diversion.com/howshotbasemountwith1inchballadapterADGA.html>>.\*

\* cited by examiner

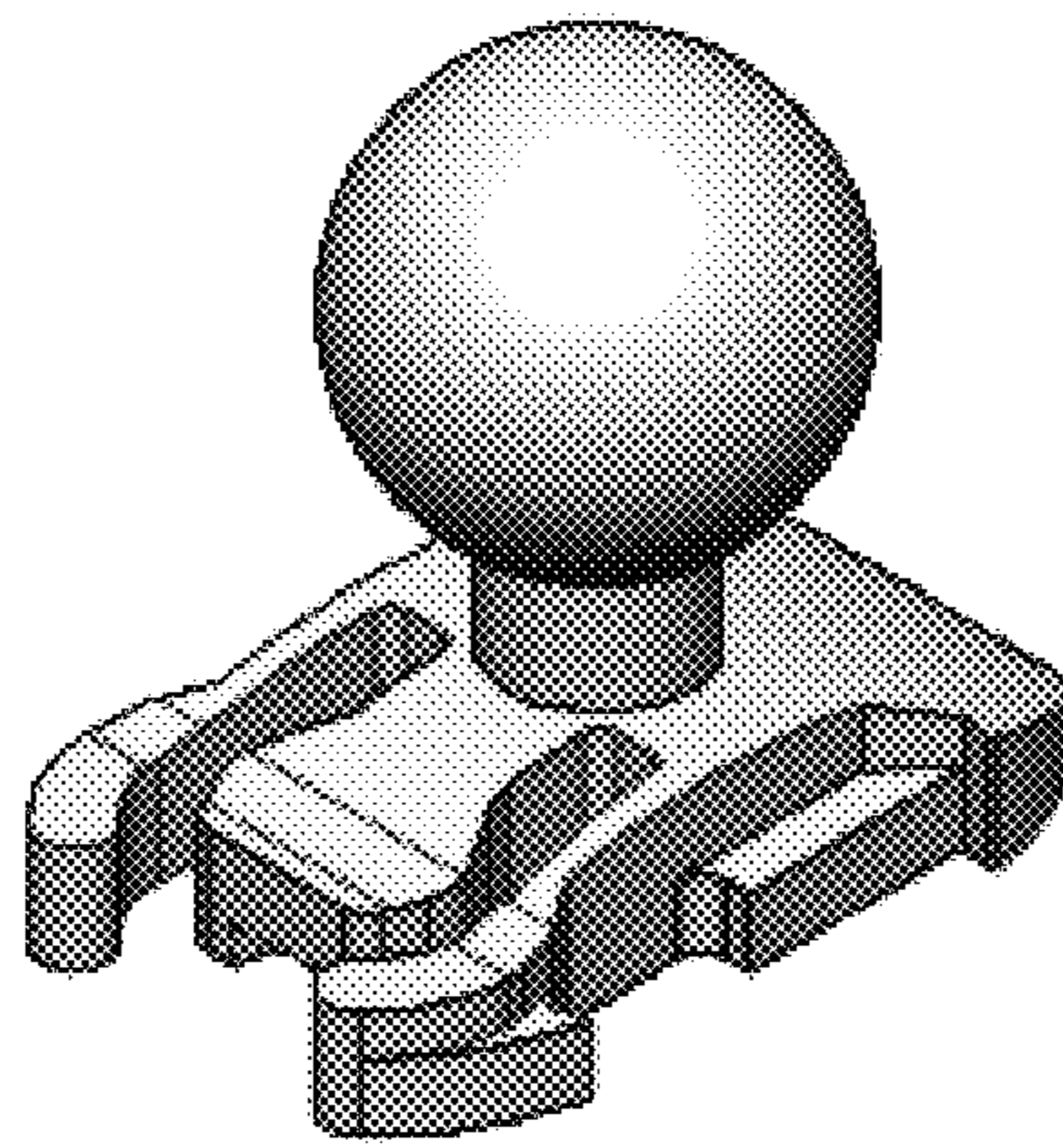


Fig. 1

Fig. 2

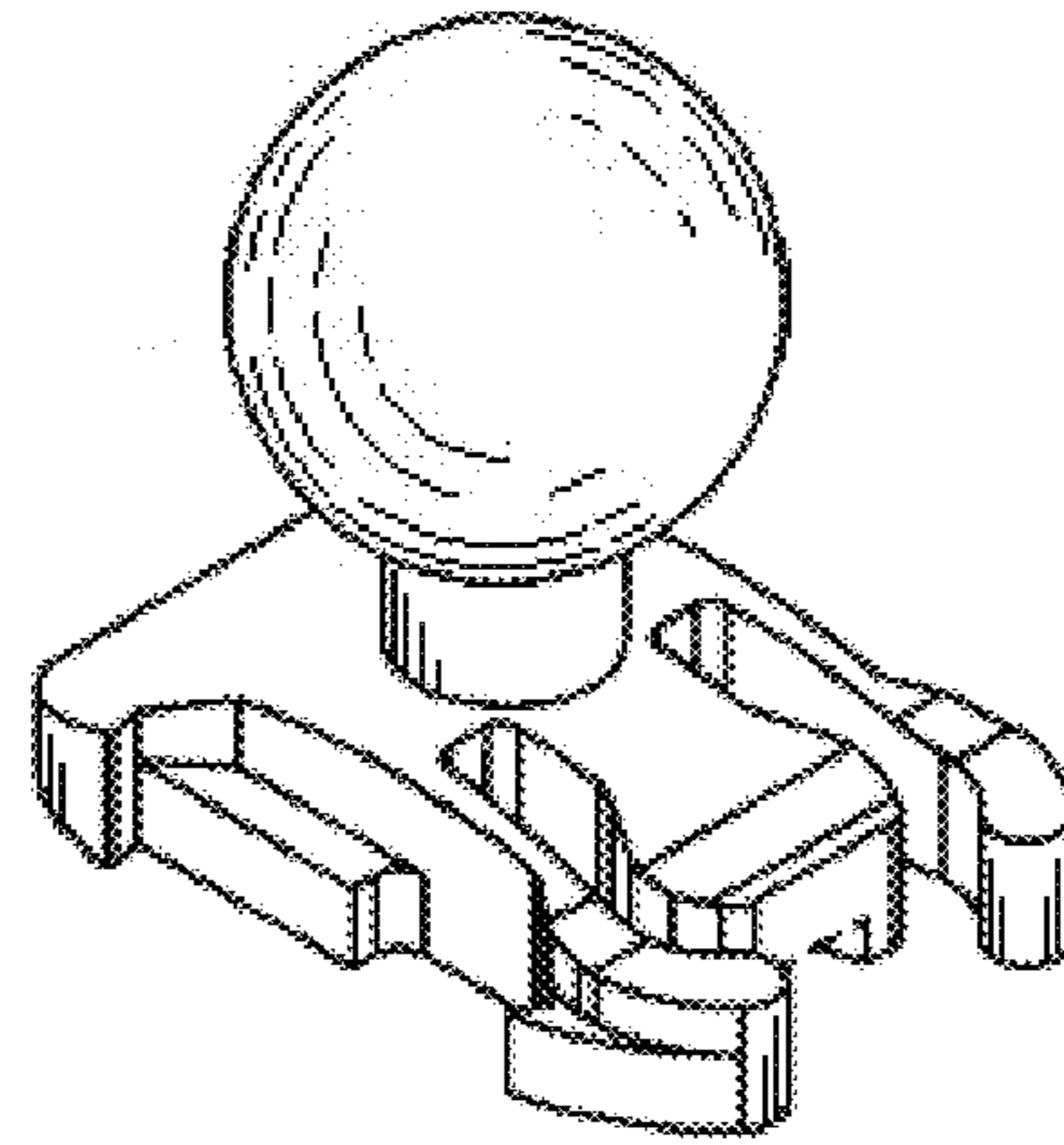
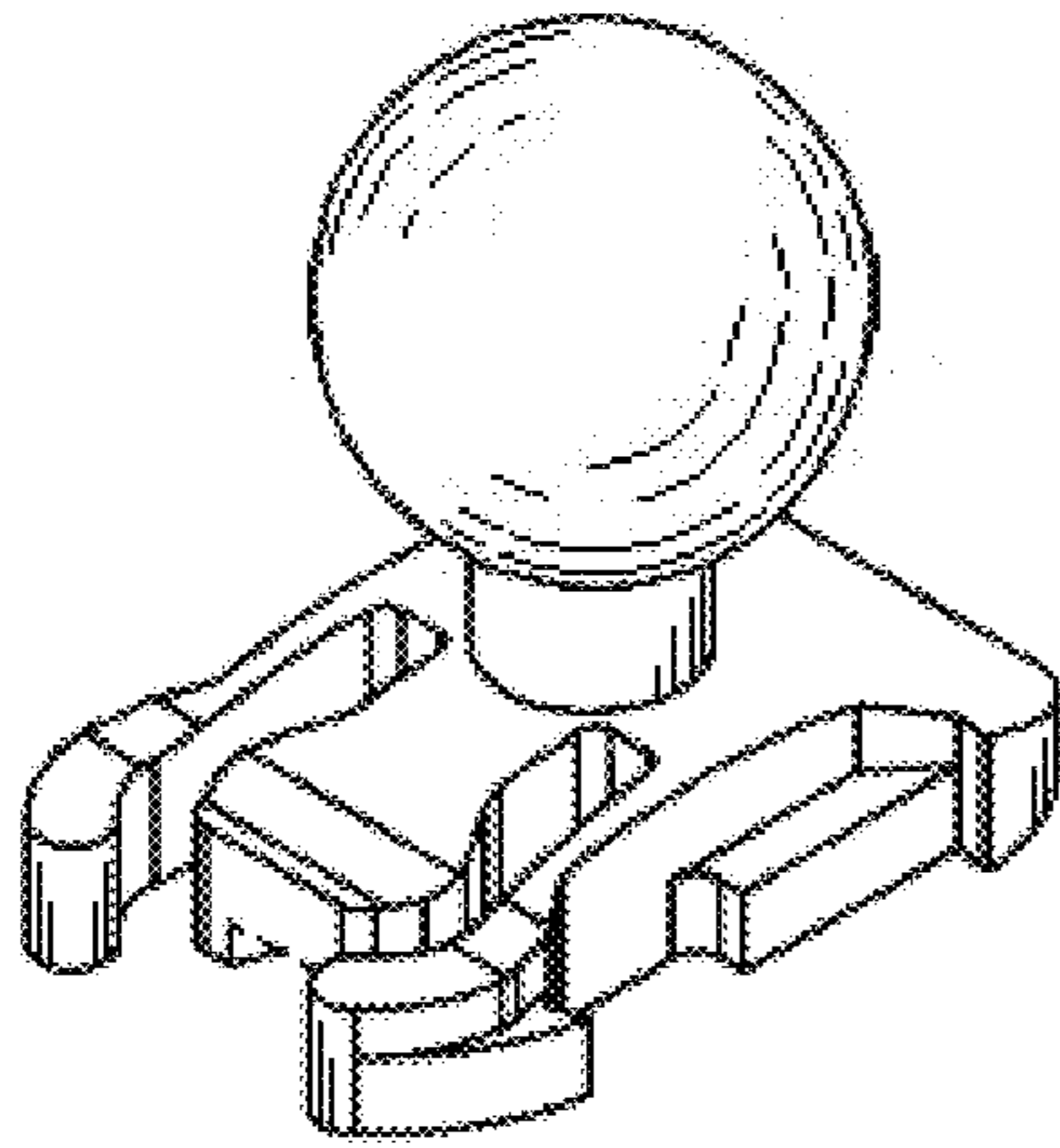


Fig. 3

Fig. 4

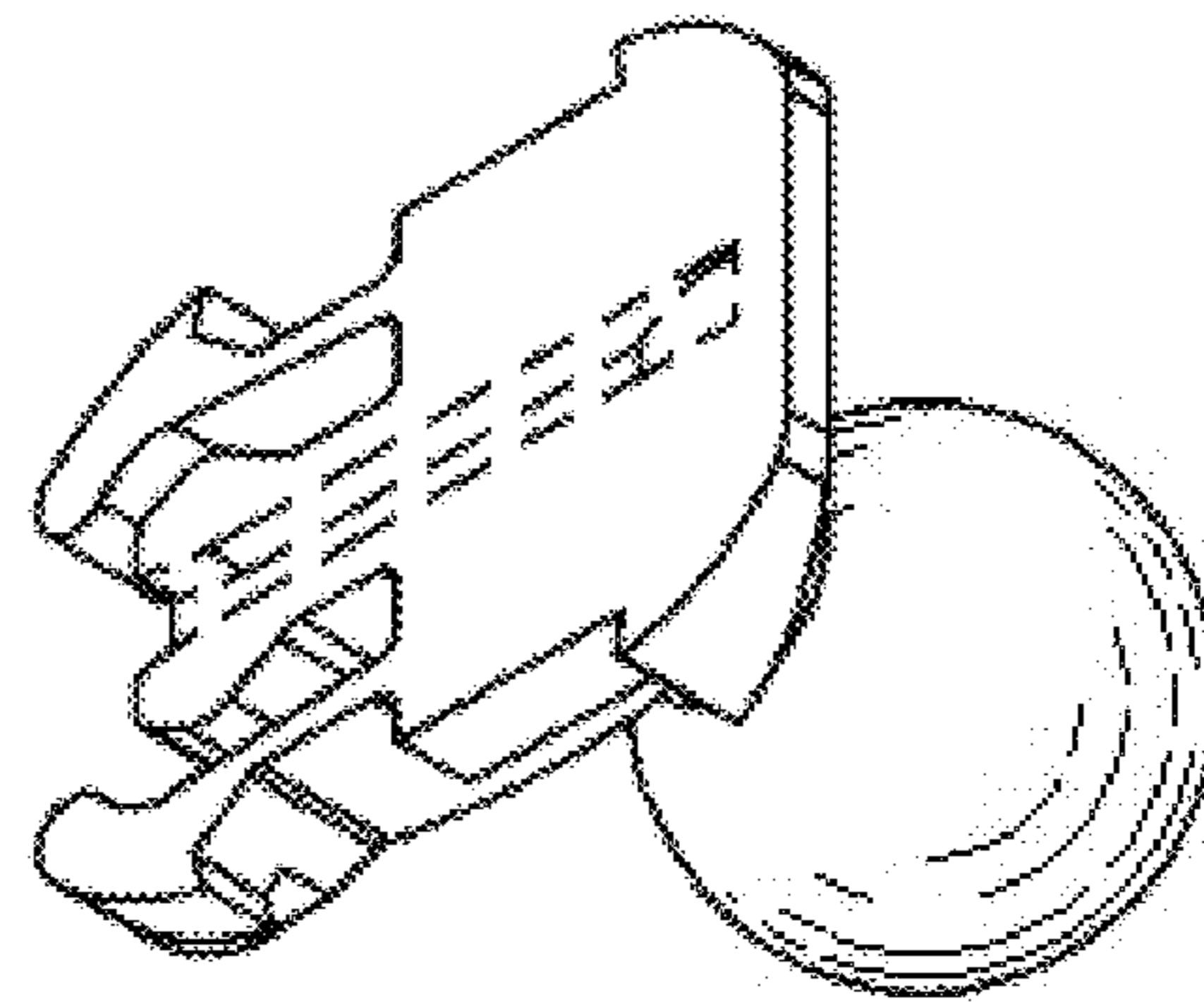
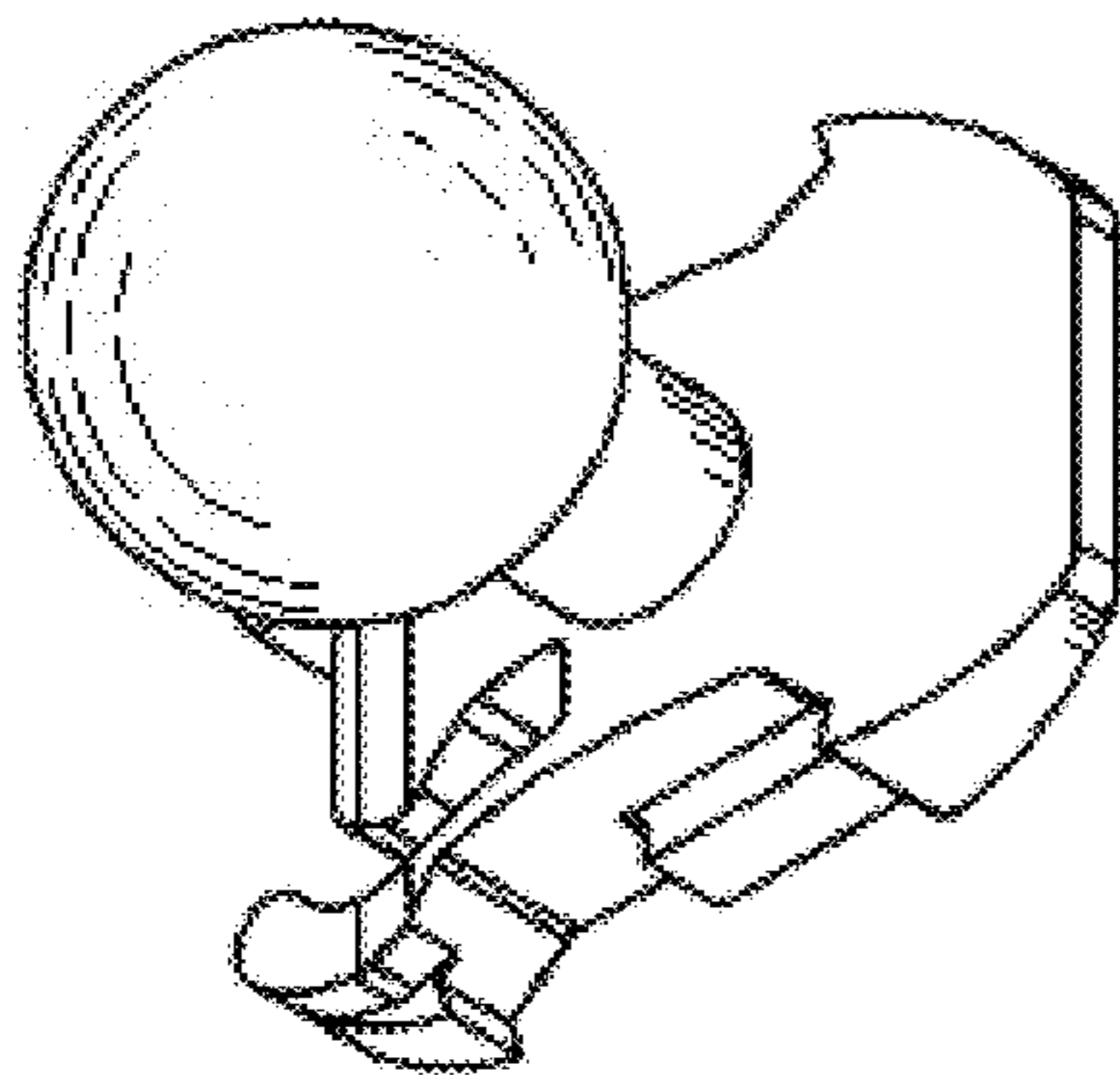


Fig. 5

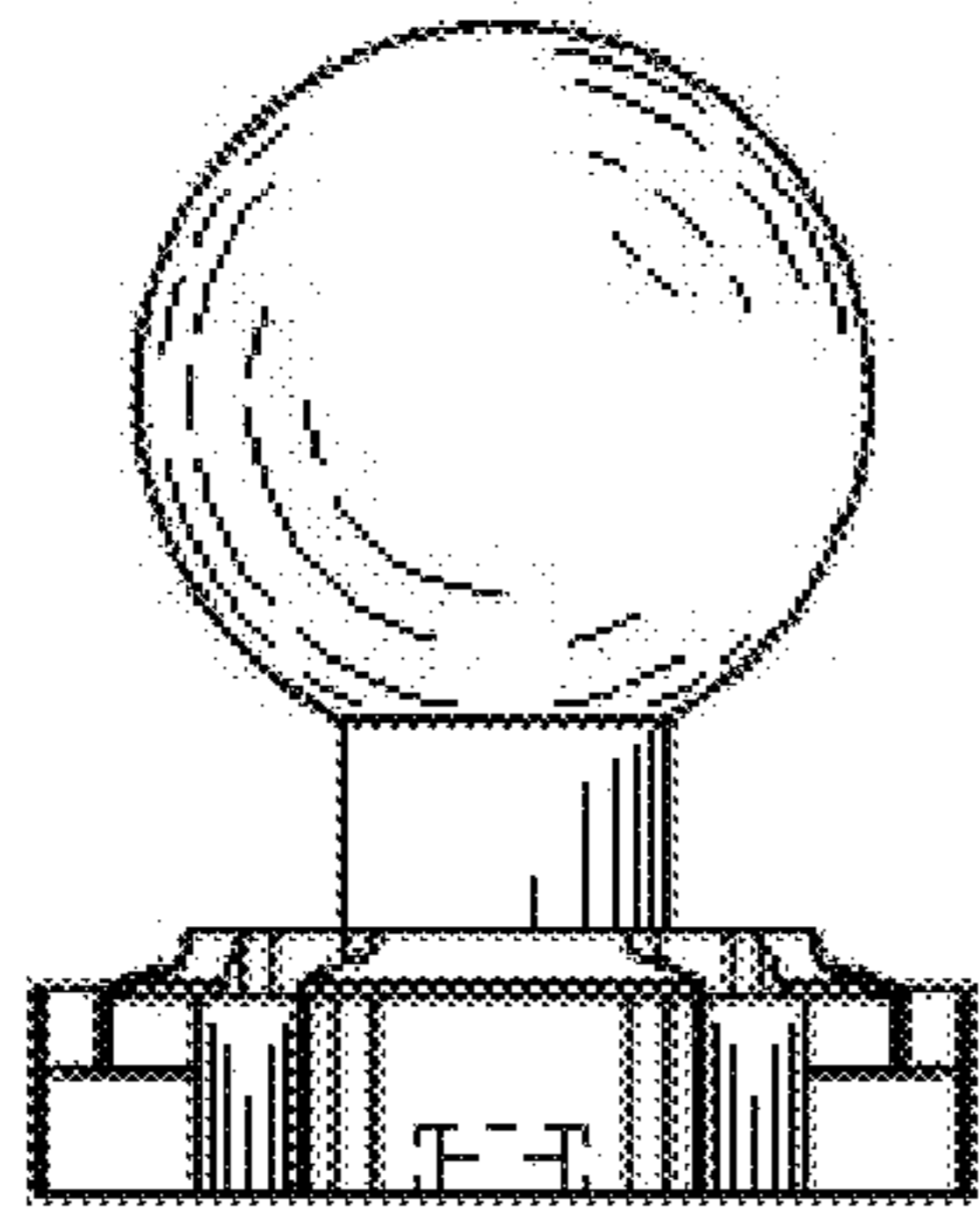


Fig. 6

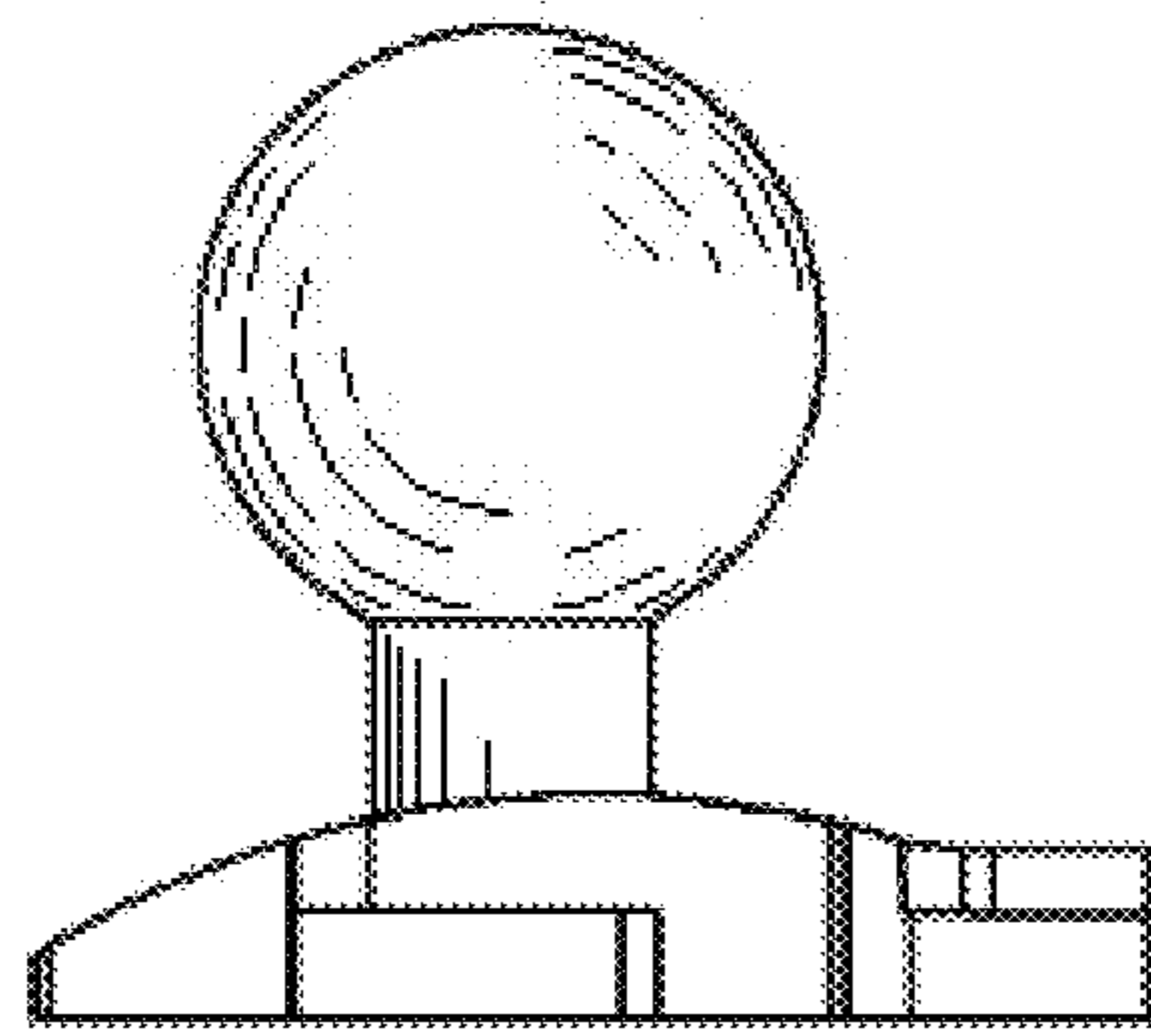


Fig. 8

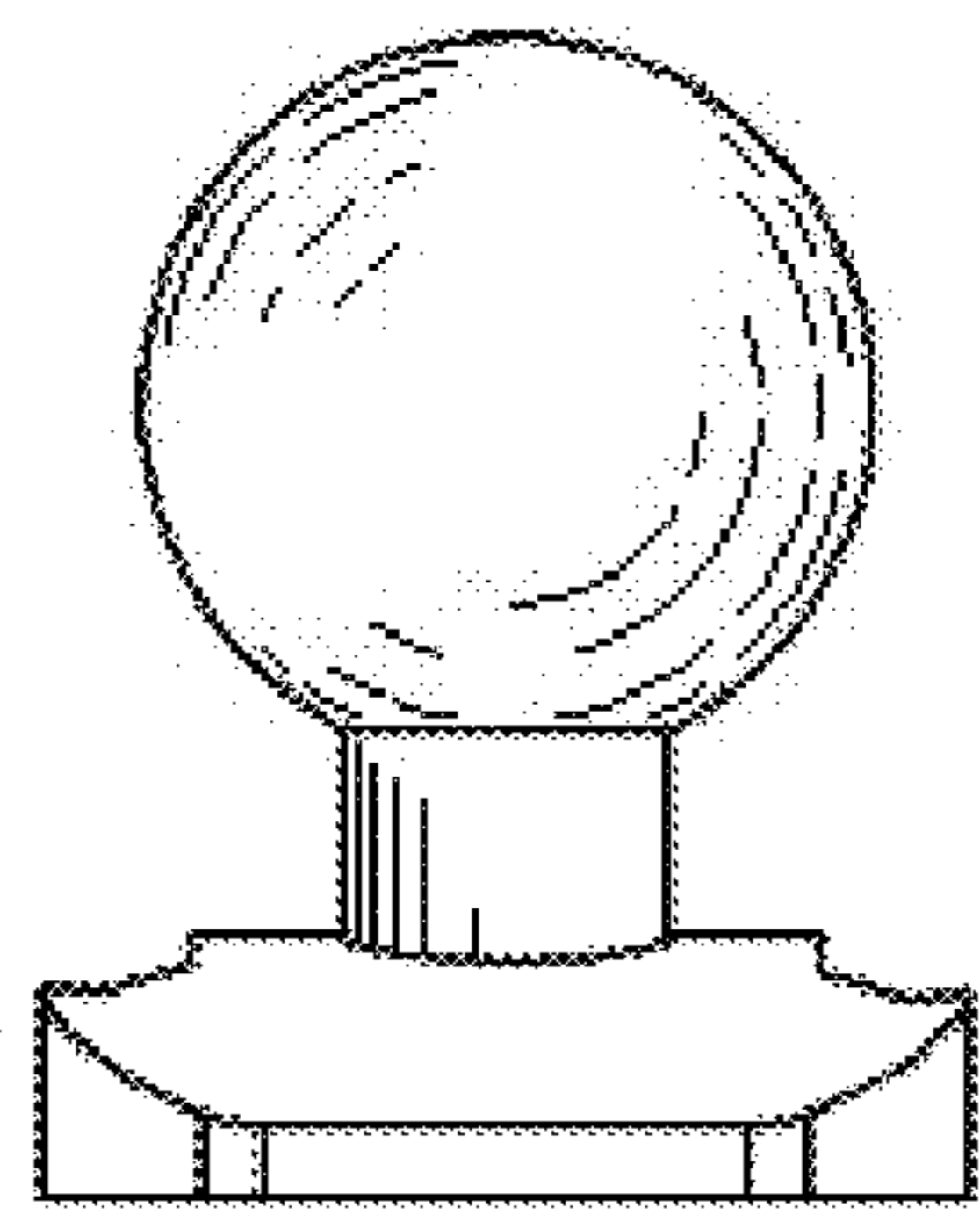


Fig. 7

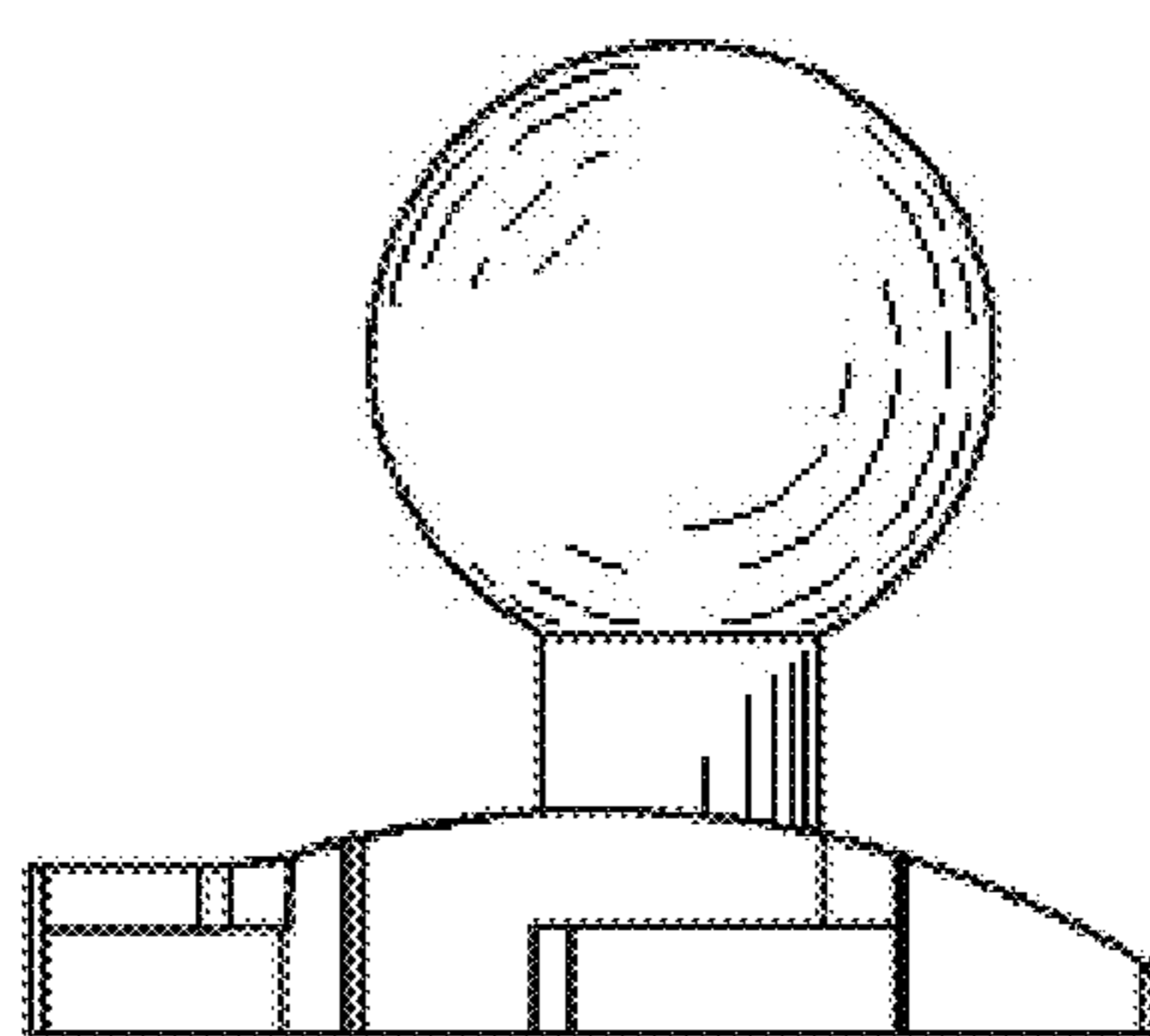


Fig. 9

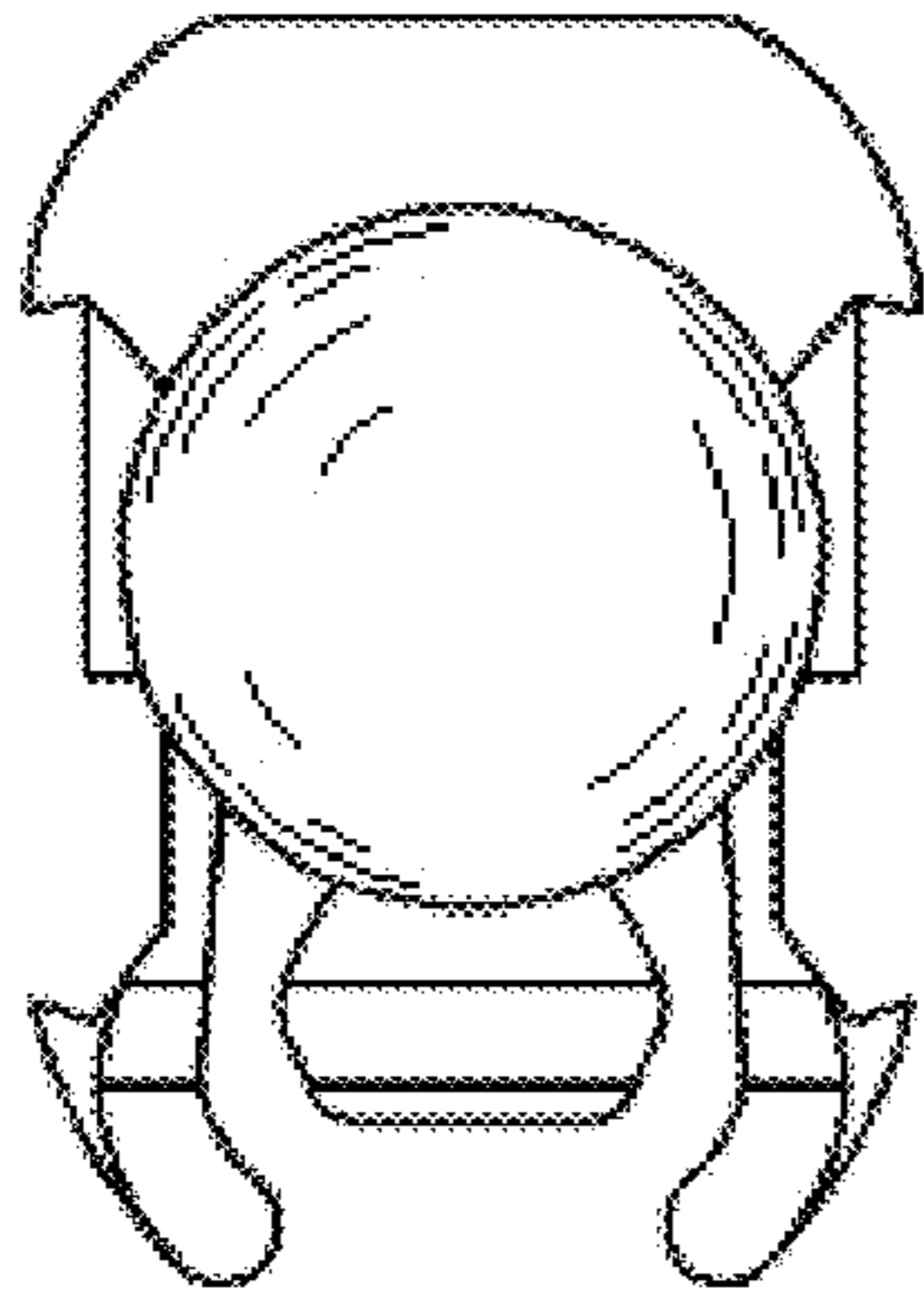


Fig. 10

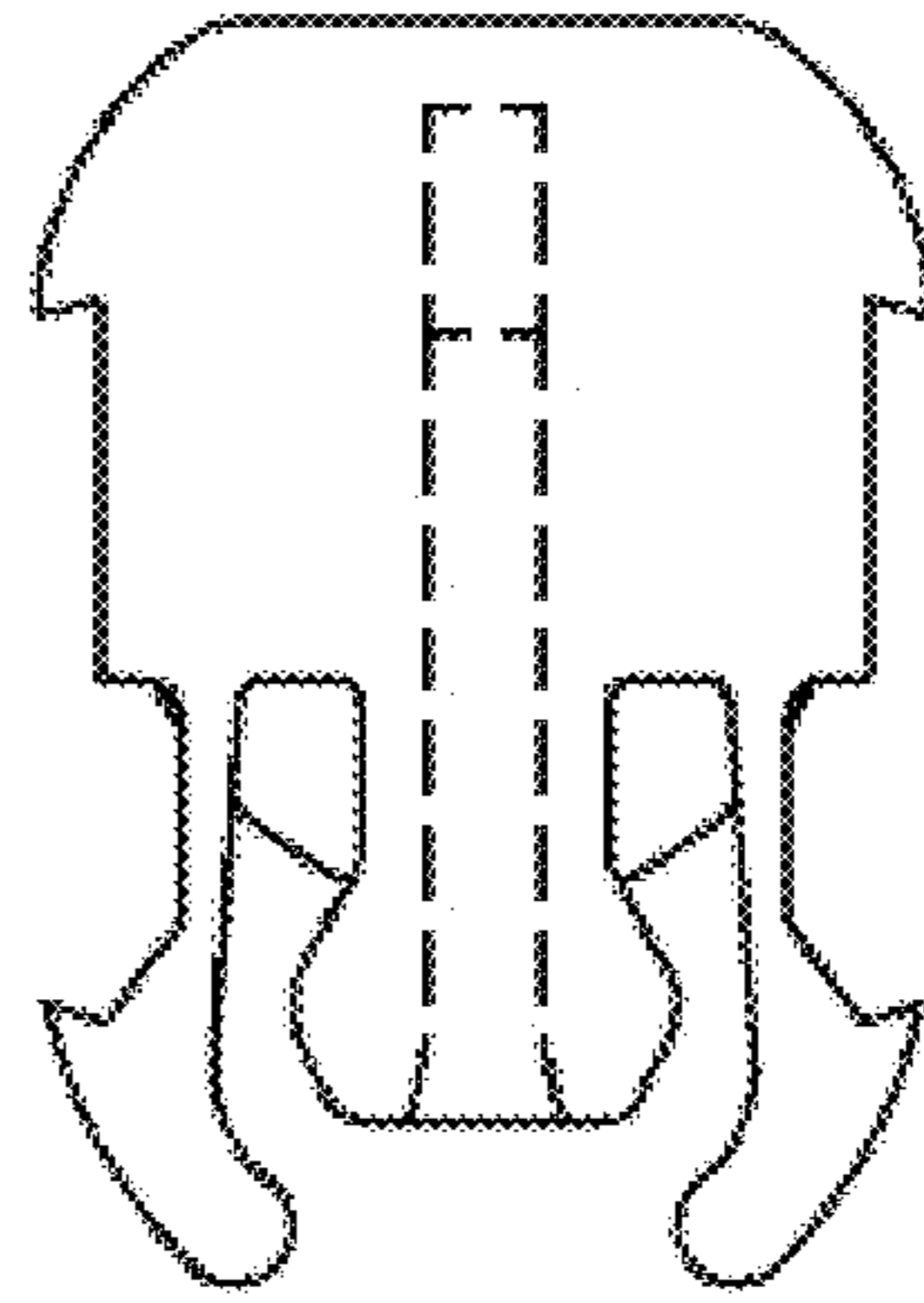


Fig. 11